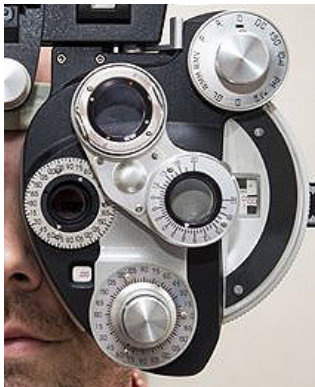
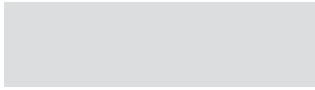
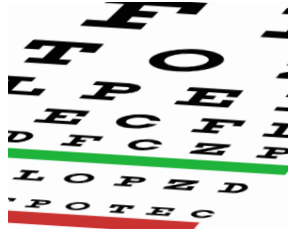




U.S. Department  
of Veterans Affairs  
Office of Construction &  
Facilities Management

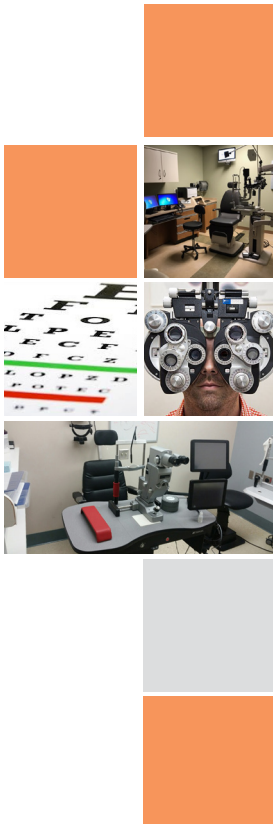


# Eye Clinic: Ophthalmology and Optometry Services design guide

July 2017  
rev 04/01/2018



**TABLE OF CONTENTS**



**SECTION 1 - FOREWORD & ACKNOWLEDGEMENTS**

FOREWORD ..... 7

ACKNOWLEDGEMENTS ..... 9

DEFINITIONS ..... 11

ABBREVIATIONS & ACRONYMS ..... 13

SYMBOL LEGEND ..... 17

**SECTION 2 - NARRATIVE**

VA MISSION FOR OPHTHALMOLOGY AND OPTOMETRY SERVICES ..... 21

GENERAL CONSIDERATIONS ..... 23

VETERAN-CENTERED CARE DESIGN TRENDS ..... 25

FUNCTIONAL CONSIDERATIONS ..... 27

TECHNICAL CONSIDERATIONS ..... 39

REFERENCES ..... 45

**SECTION 3 - FUNCTIONAL DIAGRAMS**

FUNCTIONAL DIAGRAM OPHTHALMOLOGY SERVICE ..... 49

FUNCTIONAL DIAGRAM OPTOMETRY SERVICE ..... 51

**SECTION 4 - DESIGN PLATES**

INTRODUCTION ..... 55

PRE-TESTING / INTAKE ROOM, OPHTHALMOLOGY (OPPT1) & PRE-TESTING / INTAKE ROOM, OPTOMETRY (OPPT2) ..... 57

EXAM / TREATMENT ROOM, OPHTHALMOLOGY (OPET1) & EXAM / TREATMENT ROOM, OPTOMETRY (OPET2) ..... 77

PROCEDURE ROOM, OPHTHALMOLOGY (OPPR1) ..... 101

VISUAL FIELDS ROOM, OPHTHALMOLOGY (OPVF1) & VISUAL FIELDS ROOM, OPTOMETRY (OPVF2) ..... 119

PHOTOGRAPHY ROOM, OPHTHALMOLOGY (OPPH1) & PHOTOGRAPHY ROOM, OPTOMETRY (OPPH2) ..... 139

**TABLE OF CONTENTS**

		<b>SECTION 4 - DESIGN PLATES</b>	
		ULTRASOUND ROOM, OPHTHALMOLOGY (OPUS1) & ULTRASOUND ROOM, OPTOMETRY (OPUS2).....	159
		TOMOGRAPHY ROOM, OPHTHALMOLOGY (OPOC1) & TOMOGRAPHY ROOM, OPTOMETRY (OPOC2) .....	179
		IMAGING ROOM, OPHTHALMOLOGY (OPIM1) & IMAGING ROOM, OPTOMETRY (OPIM2) .....	199
		YAG LASER ROOM, OPHTHALMOLOGY (OPLS1) & SLT LASER ROOM, OPHTHALMOLOGY (OPLS3) .....	219
		RETINAL PHOTOCOAGULATION LASER ROOM, OPHTHALMOLOGY (OPLS2) .....	239
		ELECTRODIAGNOSTICS ROOM, OPHTHALMOLOGY (OPED1) & ELECTRODIAGNOSTICS ROOM, OPTOMETRY (OPED2) .....	255
		LOW VISION / POLYTRAUMA TRAINING ROOM, OPHTHALMOLOGY (OPLV1) & LOW VISION / POLYTRAUMA TRAINING ROOM, OPTOMETRY (OPLV2) .....	275
		<b>SECTION 5 - APPENDIX</b>	
		TECHNICAL REFERENCES .....	295

## SECTION 1 - FOREWORD & ACKNOWLEDGEMENTS

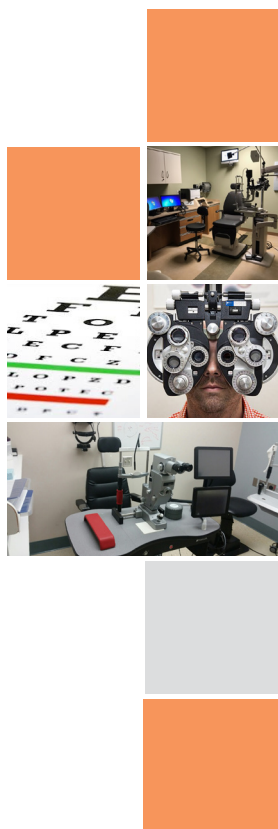
FOREWORD

ACKNOWLEDGEMENTS

DEFINITIONS

ABBREVIATIONS & ACRONYMS

SYMBOL LEGEND



THIS PAGE INTENTIONALLY LEFT BLANK

---

## SECTION 1 - FOREWORD & ACKNOWLEDGEMENTS

### FOREWORD

The material contained in this Ophthalmology and Optometry Services Design Guide is the culmination of a partnering effort within the Department of Veterans Affairs (VA) by the Veterans Health Administration (VHA), the Office of Construction & Facilities Management (CFM), the Office of Facilities Planning (003C2), Capital Asset Management Planning Service (CAMPS), PF&A Design, and HDR, Inc.. The goal of this Design Guide is to facilitate the design process and to ensure the quality of VA facilities for Veterans and those serving them while controlling construction and operating costs.

Disclaimer: products and materials indicated are for illustration. They are not endorsement for any specific product. This document is intended to be used as the standard for design, and to supplement current VA construction standards and other VA criteria in planning Ophthalmology and Optometry space.

Designers shall use this Design Guide as closely as possible to its context and intent. Use of this Design Guide does not preclude the need for a functional and physical design program for each specific project. It is the responsibility of the Project Architect and the Project Engineer to develop a complete and accurate project design that best meets the users' needs and applicable code requirements.

Lloyd H. Siegel, FAIA  
Associate Executive Director  
Office of Facilities Planning (003C2)

THIS PAGE INTENTIONALLY LEFT BLANK



## ACKNOWLEDGEMENTS

The following individuals are those whose guidance, insight, advice, and expertise made this Design Guide possible:

### DEPARTMENT OF VETERANS AFFAIRS

#### ***Veterans Health Administration (VHA) Eye Care Program***

John C. Townsend, O.D., F.A.A.O.  
Director  
VHA Optometric Service

Mary G. Lynch, MD  
Ophthalmology Field Advisory Chair  
VHA Ophthalmology Service  
Atlanta VA Medical Center, Decatur, GA

Glenn C. Cockerham, MD  
National Program Director  
VHA Ophthalmology Service

Gary Mancil, O.D., F.A.A.O.  
Chief, Optometry Service  
W.G. (Bill) Hefner VA Medical Center, Charlotte, NC

Mishelle Percy-Baluyot, O.D.  
Chief, Optometry Service  
Malcolm Randall VAMC, Gainesville, FL

#### ***Office of Construction and Facilities Management (CFM)***

Orest Burdiak  
Principal Interior Designer  
VACO

Fei (Linda) Chan  
Architect/Planner  
VACO

Jacob Brown  
Medical Equipment Specialist (CFM)  
VACO

#### ***Environmental Programs Office (EPS)***

Christine Emanuelson, NCIDQ  
Program Manager, Interior Design  
VACO

### PRIME CONSULTANT

#### ***PF&A DESIGN Architecture, Planning, and Design***

Joseph H. Trost, AIA, ACHA, NCARB  
Principal-in-Charge / Project Architect

Phillip Horst  
Project Coordinator

Louise A. Vega  
Project Facilitator / Support

### SUB CONSULTANT

#### ***HDR, Inc.***

Ronald Villasante, MRCP, MArch, RA  
Director of Federal Healthcare Planning

Scott Speser, RA, LEED BD+C  
Federal Healthcare Architect

Terry Wilson, AIA, EDAC, LEED AP  
Senior Healthcare Planner

Cynthia Adams  
Healthcare Planner

Lisa Ahlers, MArch, MPhys  
Medical Equipment Planner

THIS PAGE INTENTIONALLY LEFT BLANK

## DEFINITIONS

Accessible: A site, building, facility, or portion thereof that complies with provisions outlined in the Architectural Barriers Act of 1968 (ABA).

Affiliated: An arrangement whereby a school of medicine or optometry agrees to staff a VA facility with faculty physicians (ophthalmologists), optometrists, residents and interns /externs. In return, the VA provides the medical or optometry school with a venue to train new physicians / optometrists. In this arrangement, the VA retains responsibility for the care of its patients while the school of medicine or optometry retains responsibility for all graduate level education and training.

Architectural Barriers Act (ABA): A set of standards developed to insure that all buildings financed with federal funds are designed and constructed to be fully accessible to everyone. This law requires all construction, renovation, or leasing of sites, facilities, buildings, and other elements, financed with federal funds, to comply with the Architectural Barriers Act Accessibility Standards (ABAAS). The ABAAS replaces the Uniform Federal Accessibility Standards (UFAS).

Basic Low Vision Services: Basic Low Vision services include prescription of optical low vision devices and a minimum level of visual skills and device training.

Blind Rehabilitation Outpatient Specialist (BROS): A BROS is a multi-skilled, university-trained, and experienced blind rehabilitation instructor who has advanced technical knowledge and competencies at the full performance level in at least two of the following disciplines: orientation and mobility, living skills, manual skills, and visual skills. (per [VHA Handbook 1174.05](#))

Clinic Stop: A clinic stop is one encounter of a patient with a healthcare provider. Per these criteria, the clinic stop is the workload unit of measure for space planning. One individual patient can have multiple clinic stops in a single visit or in one day.

Eye Care Provider: An Optometrist or Ophthalmologist who examines, diagnoses, treats, prescribes medication, and manages the care of patients within his or her clinical privileges as established by the governing body of a healthcare organization.

Full-Time Equivalent (FTE): A staffing parameter equal to the amount of time assigned to one full time employee. It may be composed of several part-time employees whose total time commitment equals that of a full-time employee. One FTE equals a 40 hours per week.

Functional Area: The grouping of rooms and spaces based on their function within a clinical service. Typical Functional Areas are Reception Areas, Patient Areas, Support Areas, Staff and Administrative Areas, Residency and / or Internship / Externship Program Areas.

Input Data Statement: A set of questions designed to elicit information about the healthcare project in order to create a Program for Design (PFD) based on the criteria parameters set forth in this document. Input Data Statements could be Mission related, based in the project's Concept of Operations; and Workload or Staffing related, based on projections and data provided by the VHA or the VISN about the estimated model of operation. This information is processed through mathematical and logical operations in VA-SEPS.

Low Vision: A combination of visual acuity, visual field loss, contrast sensitivity loss, loss of stereopsis, or eye motility impairment that impacts patient safety or impairs or restricts one or more activities of daily living.

Low Vision Therapy: Low Vision Therapy provides an individual with low vision to use his or her residual vision. This may also include training in the use of low vision and other aids in everyday situations and activities of daily living. Low Vision Services including Basic, Intermediate, Polytrauma Facility, Advanced, Visual Impairment

Center to Optimize Remaining Sight (VICTORS), Polytrauma Rehabilitation Network Site, as well as Polytrauma Rehabilitation Center which may include Low Vision Services have separate staffing, space, and workload requirements based upon the level and intensity of vision rehabilitation care provided.

Ophthalmologist: An ophthalmologist is a physician who specializes in the comprehensive care of the eyes and visual system. An ophthalmologist is medically trained and qualified to diagnose and treat all eye and visual system problems. An ophthalmologist can deliver total eye care, as well as diagnose general diseases of the body. An ophthalmologist has completed 4 years of college premedical training, 4 or more years of medical school, 1 year of internship, and 3 years or more of specialized medical training and experience in eye care. An additional 1 to 3 years may be spent in sub-specialty fellowship training.

Optometrist: Doctors of Optometry are independent primary health care providers who examine, diagnose, treat, and manage diseases and disorders of the visual system, the eye and associated structures, as well as diagnose related systemic conditions. An optometrist typically completes 4 years of baccalaureate training and 4 years of optometry training. Residency training is 1 year beyond attainment of the optometry degree, and fellowship training is for 1 to 2 years beyond the completion of residency training.

Program for Design (PFD): A space program based on criteria set forth in this document and specific information about Concept of Operations, workload projections and staffing levels authorized.

Room Efficiency Factor: A factor that provides flexibility in the utilization of a room to account for patient delays, scheduling conflicts, and equipment maintenance. Common factors are in the 80 to 85% range. A room with 80% room efficiency provides a buffer to assume that this room would be available 20% of the time beyond the planned operational practices of the room. This factor may be adjusted based on the actual and/or anticipated operations and processes of the room / department.

SEPS (VA-SEPS): Acronym for Space and Equipment Planning System, a digital tool developed by the Department of Defense (DoD) and the Department of Veterans Affairs to generate a Program for Design (PFD) and an Equipment List for a VA healthcare project based on specific information entered in response to Input Data Questions. VA-SEPS incorporates the propositions set forth in all VA Space Planning Criteria chapters. VA-SEPS has been designed to aid healthcare planners in creating a space plan based on a standardized set of criteria parameters.

Vision Impairment Center to Optimize Remaining Sight (VICTORS): Advanced Low Vision Services that provides a full spectrum of optical devices and in-depth visual skills training, along with basic training in activities of daily living and in orientation and mobility.

VIST Coordinator: The VIST Coordinator is the case manager who has responsibility for the coordination of services for severely-disabled visually impaired Veterans and their families. (per [VHA Handbook 1174.05](#))

Workload: Workload is the anticipated number of procedures or suite stops that is processed through a department/service area. The total workload applied to departmental operational assumptions will determine overall room requirements by modality.

**ABBREVIATIONS AND ACRONYMS**

<b>A</b>	Air, Medical
<b>ABA</b>	Architectural Barriers Act
<b>ABAAS</b>	Architectural Barriers Act Accessibility Standards
<b>AC</b>	Air Conditioning
<b>ACI</b>	American Concrete Institute
<b>ACQ</b>	Acquisition
<b>ADA</b>	Americans with Disabilities Act of 1990
<b>A/E</b>	Architect/Engineer
<b>AIA</b>	American Institute of Architects
<b>AO</b>	Administrative Officer
<b>APC</b>	Argon Plasma Coagulator
<b>ASHRAE</b>	American Society of Heating, Refrigeration, and Air-Conditioning Engineers
<b>AT</b>	Acoustical Ceiling Tile
<b>BROS</b>	Blind Rehabilitation Outpatient Specialist
<b>C</b>	Celsius
<b>CAB</b>	Cabinet
<b>CAD</b>	Computer Aided Drafting
<b>CC</b>	Contractor Furnished and Contractor Installed
<b>CCTV</b>	Closed Circuit Television
<b>CFM</b>	Construction & Facilities Management or Cubic Feet per Minute
<b>CRI</b>	Color Rendering Index
<b>CV</b>	Constant Volume
<b>DEPT</b>	Department
<b>DISS</b>	Diameter Indicator Safety System
<b>DoD</b>	Department of Defense
<b>DOE</b>	Department of Energy
<b>DWG</b>	Drawing
<b>ED</b>	Electrodiagnostic
<b>ENT</b>	Ear Nose Throat
<b>EO</b>	Executive Order
<b>EPAC</b>	Energy Policy Act
<b>ERG</b>	Electroretinography
<b>F</b>	Fahrenheit or Filter
<b>FA</b>	Functional Area
<b>FGI</b>	Facilities Guidelines Institute
<b>Ft</b>	Feet or Foot
<b>FTE</b>	Full-Time Equivalent
<b>FTEE</b>	Full-Time Equivalent Employee
<b>FTF</b>	Freeze the Footprint
<b>GPS</b>	Global Positioning System
<b>GSA</b>	General Services Administration
<b>GWB</b>	Gypsum Wall Board System

**ABBREVIATIONS AND ACRONYMS**

<b>HAC</b>	Housekeeping Aides Closet
<b>HDMI</b>	High-Definition Multimedia Interface
<b>HG</b>	Mercury
<b>Hr</b>	Hour
<b>HVAC</b>	Heating, Ventilation and Air Conditioning
<b>IBC</b>	International Building Code
<b>IC</b>	Intercom
<b>IES</b>	Illuminating Engineering Society
<b>IT</b>	Information Technology
<b>JSN</b>	Joint Schedule Number
<b>K</b>	Kelvin (degrees)
<b>LBS</b>	Pounds
<b>LCD</b>	Liquid Crystal Display
<b>LED</b>	Light Emitting Diode
<b>LPM</b>	Liter per Minute
<b>LVT</b>	Luxury Vinyl Tile
<b>M</b>	Meters
<b>MCS</b>	Master Construction Specifications
<b>MD</b>	Medical Doctor
<b>MM</b>	Millimeters
<b>MOU</b>	Memorandum of Understanding
<b>NEMA</b>	National Electrical Manufacturers Association
<b>NFPA</b>	National Fire Protection Association
<b>NSF</b>	Net Square Feet
<b>NSM</b>	Net Square Meters
<b>O</b>	Oxygen
<b>OCT</b>	Optical Coherence Tomography
<b>OI&amp;T</b>	Office of Information & Technology
<b>OSHA</b>	Occupational Safety and Health Administration
<b>PC</b>	Personal Computer or Piece or Polycarbonate or Portland Cement
<b>PDF</b>	Portable Document Format
<b>PFD</b>	Program for Design
<b>PG</b>	Program Guide or Page
<b>PSI</b>	Pounds per Square Inch
<b>PTSD</b>	Post Traumatic Stress Disorder
<b>RB</b>	Resilient Base
<b>RES</b>	Resinous Flooring
<b>RH</b>	Relative Humidity or Right Hand
<b>S</b>	Solid Surface

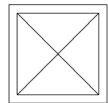
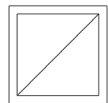
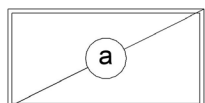
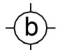


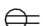




**ABBREVIATIONS AND ACRONYMS**

<b>SEPS</b>	Space and Equipment Planning System
<b>SLT</b>	Selective Laser Trabeculoplasty
<b>SS</b>	Stainless Steel
<b>TIL</b>	Technical Information Library
<b>UFAS</b>	Uniform Federal Accessibility Standard
<b>V</b>	Vacuum
<b>VA</b>	Department of Veterans Affairs, Veteran's Administration or Volt Ampere
<b>VACO</b>	Veteran's Affairs Central Office
<b>VAV</b>	Variable Air Volume
<b>VEP</b>	Visually Evoked Potential
<b>VGA</b>	Video Graphic Array
<b>VHA</b>	Veterans Health Administration
<b>VISN</b>	Veterans Integrated Service Network
<b>VC</b>	VA Furnished Contractor Installed
<b>VV</b>	VA Furnished VA Installed
<b>W</b>	Watts, Waste or Workload (input data statements)
<b>WSF</b>	Welded Seam Sheet Flooring
<b>YAG</b>	Yttrium Aluminum Garnet

THIS PAGE INTENTIONALLY LEFT BLANK



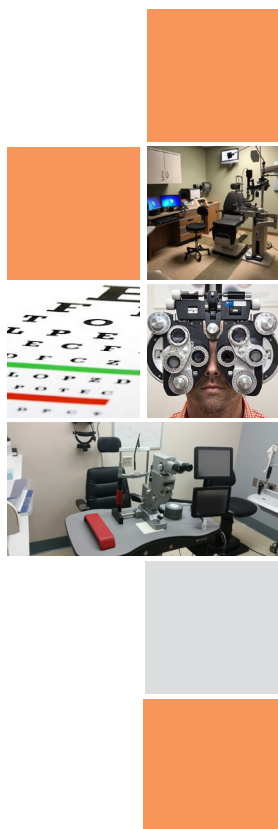
**SYMBOL LEGEND**

SYSTEM	DESCRIPTION OF SYMBOL	SYMBOL
MECHANICAL	2' x 2' HVAC SUPPLY	
	2' x 2' HVAC RETURN	
LIGHTING FIXTURES	2' x 4' (600mm x 1200mm) LIGHTING FIXTURE	
	6" (150mm) RECESSED DOWNLIGHT FIXTURE	
PLUMBING	MEDICAL GAS OUTLET	
	SPRINKLER	
ELECTRICAL	DUPLEX RECEPTACLE OUTLET	
	GROUND FAULT CIRCUIT INTERRUPTER OUTLET	
	DATA OUTLET	
	TELEPHONE OUTLET - WALL MOUNTED	
	SWITCH (# SUBSCRIPT AS INDICATED BELOW): 3 = THREE-WAY D = DIMMER a/b = SEPARATE CONTROL OF FIXTURE(S) WITH SAME DESIGN DESIGNATION MOUNTED 46" (1150mm) ABOVE FINISH FLOOR	

THIS PAGE INTENTIONALLY LEFT BLANK

**SECTION 2 - NARRATIVE**

- VA MISSION FOR OPHTHALMOLOGY AND OPTOMETRY SERVICES
- GENERAL CONSIDERATIONS
- VETERAN-CENTERED CARE DESIGN TRENDS
- FUNCTIONAL CONSIDERATIONS
- TECHNICAL CONSIDERATIONS
- REFERENCES



THIS PAGE INTENTIONALLY LEFT BLANK

## SECTION 2 - NARRATIVE

### VA MISSION FOR OPHTHALMOLOGY AND OPTOMETRY SERVICES

#### Mission

The mission of the VHA Eye Care program is to optimize the visual functioning of the Veterans health care system patients. In doing this, VA strives to be the eye care provider of choice for the Veteran.

#### Core Values

The core values of VHA Eye Care are:

1. Integrity;
2. Commitment;
3. Advocacy;
4. Respect; and
5. Excellence.

In particular, VHA Eye Care strives to:

1. Provide needed, high-quality eye care in a timely manner to all eligible Veterans.
2. Ensure the highest possible level of patient satisfaction with VHA Eye Care.
3. Ensure that all eligible Veterans receive high-quality patient education related to eye care.
4. Support professional education and research which furthers VHA Eye Care.

Eye care services must be optimally organized and delivered. Each VISN competes in a unique geographic environment, so organization at the VISN level needs to emphasize high-quality care and prudent financial principles to efficiently provide care. Development of an eye care delivery model, which is competitive at the local level, is essential.

#### Goals

Specific VHA Eye Care goals are to:

1. Deliver the highest quality eye care to the greatest number of eligible Veterans in a timely, compassionate, and cost-effective manner.
2. Meet Advanced Clinic Access and Systems Redesign VHA performance measures.
3. Provide patient education and eye care counseling to patients and their families or significant others, and continuing medical education to staff, as well as other health care providers and trainees, where appropriate.
4. Establish academically affiliated teaching programs to educate and train students, residents, and fellows.
5. Participate in educating and training eye care professionals.
6. Support eye and vision research in areas including management, quality improvement, education, rehabilitation, health services, and biomedical sciences.
7. Evaluate and improve new technologies for the delivery of eye care.
8. Contribute to a supportive setting for the integration of patient care, education, and research and development.
9. Provide support for the Department of Defense (DoD) in times of military necessity or national emergency.

THIS PAGE INTENTIONALLY LEFT BLANK

## GENERAL CONSIDERATIONS

The VA operates the nation's largest integrated healthcare system with over 1,700 sites of care serving 8.76 million Veterans each year.

The increasing number of older Veterans and consequent increased incidence of eye disease underscore the need for cost-effective, readily accessible, comprehensive eye care. VHA Eye Care will focus on providing exemplary services that are patient-centered, data-driven and evidence-based. Eye care in the VA involves Ophthalmologists, Optometrists and other eye care professionals working as partners for the betterment of the Veteran. Facility planning and design must provide the space and tools necessary to ensure all eligible Veterans have access to eye care. As VHA continues to transform into the integrated health care system that defines excellence by providing the best care anywhere, VHA Eye Care stands ready to meet this challenge. As a provider of choice, VHA must continually balance cost, quality, and access to provide our patients with the world-class care they deserve.

While Veterans' health care needs are often similar to the general population, they are also different in significant ways. For example, Veterans can suffer from a higher prevalence of disabilities from traumatic injuries, post-traumatic stress disorder (PTSD) and neurological disorders. To respond to these needs, VA is in the process of developing and integrating a care delivery model focused on patient-centered care specifically as it applies to Veterans. This mirrors general trends in healthcare where patient-centered care is part of a major undertaking of how best to enhance healing and support better outcomes.

Veteran-Centered Care has been defined by VA as follows:

*A fully engaged partnership of Veteran, family, and healthcare team established through continuous healing relationships and provided in optimal healing environments, in order to improve health outcomes and the Veteran's experience of care.*

In addition, Veteran-centered Care is based on twelve core principles which are noted below. Although all are important parts of the VA approach to care, nine principles stand out because they can be supported directly or indirectly by facility design solutions. These nine principles are noted in bold.

### Veteran-Centered Care Core Principles

- 1. Honor the Veteran's expectations of safe, high quality, accessible care.**
- 2. Enhance the quality of human interactions and therapeutic alliances.**
3. Solicit and respect the Veteran's values, preferences, and needs.
4. Systematize the coordination, continuity, and integration of care.
- 5. Empower Veterans through information and education.**
6. Incorporate the nutritional, cultural, and nurturing aspects of food.
- 7. Provide for physical comfort and pain management.**
- 8. Ensure emotional and spiritual support.**
- 9. Encourage involvement of family and friends.**
- 10. Ensure that architectural layout and design are conducive to health and healing.**
- 11. Introduce creative arts into the healing environment.**
- 12. Support and sustain an engaged work force as key to providing Veteran-centered care.**

The following discussion begins with General Industry Trends followed by Veteran-centered Care Design Trends. General Industry Trends is organized around four main areas of concern: Safety and Risk Reduction, Efficiency and Flexibility, Planning that Accommodates Program Growth, and Response to Human Needs as they apply to objectives for planning and design of Ophthalmology and Optometry Services.

Veteran-centered Care Design Trends are guided by an understanding of how the nine facility-linked core principles of Veteran-centered Care can strengthen VA goals for care delivery in support of better patient experiences and, ultimately, outcomes.

THIS PAGE INTENTIONALLY LEFT BLANK



## VETERAN-CENTERED CARE DESIGN TRENDS

### Safe High-Quality Accessible Care

- *Easy access to services*

An ideal for Veteran-centered care is a point-of-service care where all services a patient may need on a given visit are located at or near the patient's day visit location. This ideal should be used as a guide to inform how program components could best be organized. The services to be accessed may range from exam, patient education, and research-linked tests, to nutrition or lifestyle or psychological counseling.

When patients must transfer, there should be a clear and easily navigated pathway between points of service.

Eye Care patients are unique; many are visually impaired and many have multi-sensory disabilities. Eye Care space must accommodate such patients with safe wayfinding, adequate lighting, and privacy.

### Empower Veteran

- *Patient control over their environment*

Patients in treatment often benefit from a sense of control over the process they are experiencing. One component will be the ability to control their treatment environment in areas where patients may need to spend more than the time for a simple exam.

- *Access to education*

Education about a patient's health issues is an important component of clinical care, leading to better outcomes. Knowledge is empowering and can enhance a patient's ability to understand reasons for, and the benefits of, specific tests and treatments. Opportunities for patient education should be planned for easy access in settings where the patient can control privacy. Color printers in each exam room will allow for point of service medication reconciliation and distribution of prepared educational materials (cataract, macular degeneration, etc.).

### Enhance Human Interaction

Facility solutions should support increased interaction with caregivers and family members or friends by providing adequate space and amenities for them in the waiting room. It is understood that it may be necessary for children to accompany the patient. Planning for waiting areas that include children should be on a facility-by-facility basis.

Room layouts should allow the provider working on a computer to face the patients, encouraging interaction with the patient. Ancillary diagnostic equipment should be available close to the exam rooms at the point of service.

### Healing Environment

Planning solutions should promote patient dignity and increase privacy. This will lower stress and increase comfort in support of healing and wellness. Patient space in prep and recovery should include individual rooms where appropriate, or hard-sided workstations, each with the ability for patients to control privacy and noise.

Patient diagnostic or treatment position should orient the patient so as not to allow staff or other patients to walk behind the Veteran.

Reception and Waiting areas should include planning that provides different spaces for patients who seek social interaction and for those who seek more privacy. Smaller scale spaces with separations created by low partitions, furniture, or planters will provide options for more privacy in these settings.

Access to nature and daylight can lower stress. Areas for family respite should be provided in or near the procedure area. Where site, climate, and building configuration permit, access to outdoor space can serve as a welcome area for respite.

Other issues specific to planning and design for Veterans' care include the following:

**Veterans of Recent Conflicts**

According to the Department of Veterans Affairs Office of Public Health, a total of 97,600 new Veterans of recent conflicts (Afghanistan and Iraq, October 1, 2001 through December 31, 2011) have received military-related eye injuries.

A majority of these injuries are blast related from improvised explosive devices (IED) and other blasts. Recent research has shown that even a mild case of traumatic brain injury (TBI) can lead to vision related disorders.

## FUNCTIONAL CONSIDERATIONS

### Functional Organization

A Functional Area (FA) is the grouping of rooms and spaces based on their function within a clinical service. The organization of services in this Guide follows the categories established in VA Space Planning Criteria, Chapter 233 Eye Clinic: Ophthalmology and Optometry Services.

This service is organized into eleven Functional Areas:

- FA 1: Ophthalmology Service Reception Area
- FA 2: Ophthalmology Service Patient Area
- FA 3: Ophthalmology Service Support Area
- FA 4: Ophthalmology Service Staff and Administrative Area
- FA 5: Ophthalmology Service Education Area
- FA 6: Optometry Service Reception Area
- FA 7: Optometry Service Patient Area
- FA 8: Optometry Service Support Area
- FA 9: Optometry Service Staff and Administrative Area
- FA 10: Optometry Service Education Area
- FA 11: Optical Fitting Area

The Eye Clinic is composed of both Ophthalmology and Optometry, and in most instances, both services are provided in the same clinic. There are occasions that only one service is authorized for a site. The room layouts are similar for both Ophthalmology and Optometry, but may include different pieces of equipment associated with each space. Where this occurs, it is noted on the Design Plates.

The Functional Diagram in Section 3 along with the Axonometric Views, Design Plates, Reflected Ceiling Plans, and Room Data Sheets in Section 4 show function, flow, organization, equipment, utilities, and operational concepts. They should not be interpreted as preconceived floor plans, as the diagrams do not correlate exactly to all the rooms and functions available in Space Planning Criteria, nor to those which may be required or authorized for individual projects.

### Disclaimer

All images are representative of concepts and equipment only. No implied preference for design or manufacturer is intended.

THIS PAGE INTENTIONALLY LEFT BLANK

## Functional Relationships

### FA 1: Ophthalmology Service Reception Area

### FA 6: Optometry Service Reception Area

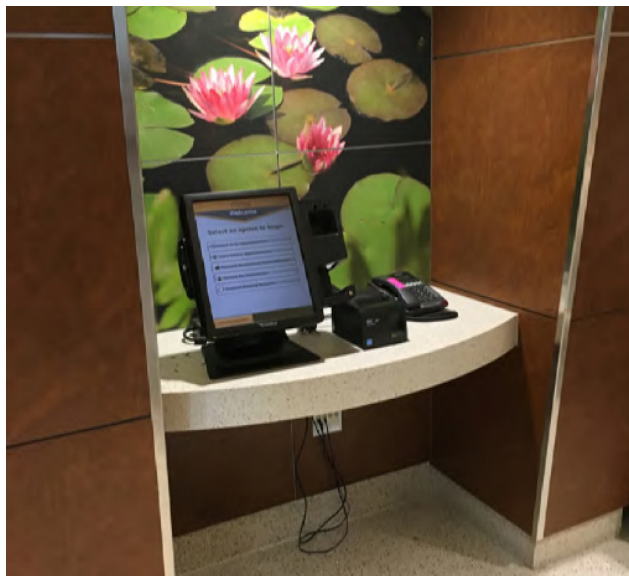
Reception Area accommodates the initial processing and admission of all patients. These areas include registration functions, waiting, and opportunities for patient education.

The reception control area shall be strategically located to give the receptionist clear observation of waiting areas to facilitate control of patient traffic entering the suite and secure the department from unauthorized access. The reception control area should be organized in a way that maintains patient confidentiality. At any given appointment, it is not uncommon for the patient to have two encounters at the reception desk check-in and check-out. Patients will register at either the reception desk or at stand-alone kiosks.

Waiting areas should be configured with small clusters of seating for privacy and a less institutional environment.

In some instances, the need to accommodate patients with children may be required and space shall be located in the same main waiting room. This special needs area should be addressed on a facility basis. Space for a wheel chair alcove and a patient education kiosk should be provided in or adjacent to the waiting area.

In renovation projects where existing space constraints may prevent the inclusion of Dilation Waiting space, the Waiting Room might be used as Dilation Waiting. It is common practice to include televisions in waiting areas. Studies have shown that persons exposed to televisions in such areas may suffer increased stress and blood pressure levels. This should be evaluated on a project-by-project basis.



VAMC Orlando Eye Clinic, FL



VA Health Care Center Charlotte, NC



Group Health Eye Care, Seattle, WA

**FA 2: Ophthalmology Service Patient Area****FA 7: Optometry Service Patient Area**

The primary function of this area is the treatment of the Veteran. All the specialty equipment required for testing vision is housed in each of the Testing Rooms and Treatment Areas.

Patient flow should allow for patients to continually move/travel through the Clinic so as not to return to the Waiting Room if space allows. Patient flow should be from the Waiting Room to the multiple Testing Rooms and then to the Exam/Treatment Rooms.

The Testing Rooms include Pre-Testing/Intake, Visual Fields, Photography, Imaging, Ultrasound, Tomography, and Electrodiagnostics Rooms.

The Treatment spaces include Exam/Treatment, Ophthalmology Laser, Ophthalmology Retinal Photocoagulation Laser, Procedure, Low Vision/Exam/Therapy, and Low Vision/Exam/Training Rooms.

In addition to the Testing and Treatment spaces, areas for Dilation Waiting need to be provided.

**Pre-Testing/Intake Room**

The Pre-Testing/Intake Room is equipped with an auto refractor and tonometer. An auto refractor measures how light is affected as it reflects through the eyeball. The auto refractor works by shining a light into the eye and then measuring how it changes as it bounces off the back of the eye. The patient sees an image that moves in and out of focus, and measurements are taken when the eye is properly focused. These preliminary measurements are used to determine what level of vision correction is needed. Many auto refractors are also keratometers which measure the shape of the cornea. This measurement can determine astigmatism or corneal distortion and is helpful for fitting contact lenses.

The tonometer measures intraocular pressure or eye pressure. If the pressure is elevated, there is a risk factor for glaucoma.



Pre-Testing, University Eye Associates, Charlotte, NC



Tonometer

### Exam/Treatment Room

The Exam/Treatment Room is where the Ophthalmologist or Optometrist exams the eyes. An exam chair on glides is located next to the ophthalmic stand which incorporates the following equipment: a phoropter (an instrument that tests individual lenses on each eye), a keratometer (which measures the curvature of the anterior surface of the cornea) or a lensometer (which measures the prescription in a pair of eyeglasses), and a slit lamp biomicroscope (which consists of a microscope) and adjustable light source on an articulated arm.

The refraction desk incorporates a desk, supply storage, lens storage, and handheld instrument storage. Room light levels are controlled from the desk either manually or automatically.

The design plate is designed around a refraction desk with a sink module located at the back of the room. An option would be to provide a sink at the front of the room. This decision would be made in conjunction with the individual project team.

### Visual Fields Room

Visual Fields testing assesses a patient's horizontal and vertical range of vision. These tests are used to determine blind spots which could indicate signs of eye disease. Many eye and brain disorders can cause central and peripheral vision loss.

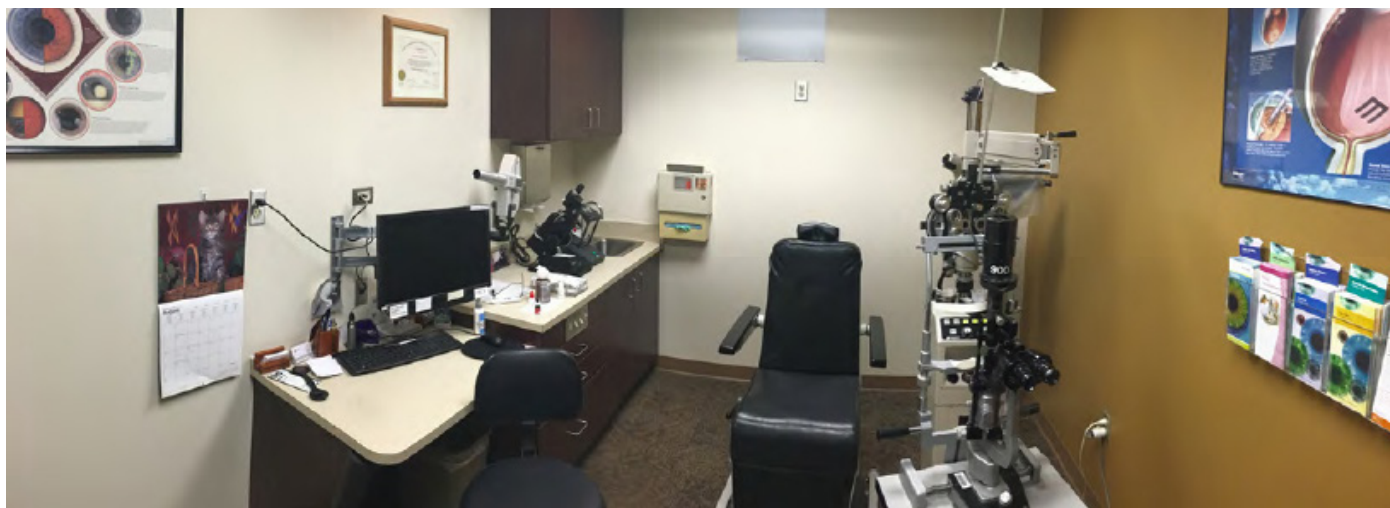
Automated perimetry tests measure a patient's responses to the presence of objects in their field of view. A patient places their chin on a chin rest and stares into a source of light straight ahead. Lights of different intensities are flashed in random points in their visual field. Each time



Exam/Treatment Room, VA Health Care Center Charlotte, NC



Visual Fields Room, VA Health Care Center Charlotte, NC



VA Charlotte CBOC, NC

a light is seen, the patient immediately makes a response by pressing a button or other means depending on the instrument. If lights are not visible in certain areas in the field of view, it may indicate a blind spot and vision loss.

### Photography Room

The Photography Room may contain up to three pieces of equipment: the fundus camera, slit lamp photography, and retinal imaging system.

The fundus camera consists of a digital camera with high-powered lenses to capture images at the back of the eye. A typical image would show the retina, optic nerve, macula, and main retinal blood vessels. A patient's eyes are dilated, and then the patient sits at the fundus camera with their chin in a chin rest with their forehead against the bar. The camera is focused, and a flash occurs as the shutter release captures the image. The fundus camera is also used for a diagnostic study called Fluorescein Angiography that captures images of injected dye circulating the retinal blood vessels.

Slit lamp imaging is the photographic documentation of microscopic and obscure details of the anterior segment (frontal structures) of the eye. The primary illumination for the microscope consists of light which can be adjusted from very broad patterns to a very narrow slit of light. The slit can be used to isolate structures in the eye.

The retinal imaging system also takes photographs at the back of the eye, but without having to dilate the eyes.



Fundus Camera



Slit Lamp



Retinal Imaging System

### Ultrasound Room

Eye and orbit ultrasounds are performed in this room. High-frequency sound waves are used to measure and produce detailed images of the eye and orbit. There are two parts to the ultrasound, an A-Scan and a B-Scan. In A-scan, or time-amplitude scan, sound waves are generated at 8 MHz and converted into spikes that correspond with tissue interface zones. Distances between eye structures can be numerically measured. In B-Scan, or brightness amplitude scan, sound waves are generated at 10 MHz. The data collected by the transducer produces a corresponding image. Some B-Scans are performed in a water bath.

The patient's eyes will be numbed with anesthetic drops to minimize discomfort. The scans can be performed while sitting upright in a chair or in a supine position. For an A-Scan, a probe that has been lubricated is placed against the front portion of the eye to scan it. For a B-Scan, the patient's eyes may be closed, and a gel is applied to the eyelids. The probe is then placed against the eyelids to take the scan. Alternatively, the probe is placed directly on the eye. The exam chair in the Ultrasound Room must be able to recline when the patient is in the supine position. Some ultrasound machines are specifically designed for measuring the eye for an intraocular lens implant.



### Tomography Room

Tomography is a non-invasive imaging test that uses light waves to take a cross-section picture of a patient's retina, optic nerve or anterior segment. Various structures in the eye can be seen and then mapped, and their thickness can be measured. These measurements help with diagnosis and treatment of glaucoma, age-related macular degeneration, and diabetic eye disease.

A patient's eyes are dilated with eye drops, and then the patient is seated in front of the tomography machine with the head resting on a support to keep it motionless. The scanning starts and can take five to ten minutes providing instant data.

Several manufacturers of tomography machines are also providing the option for color fundus photography.



Optical Coherence Tomography (OCT), Seattle Group Health

### Imaging Room

A corneal topographer and specular microscope are the two pieces of equipment housed in the Imaging Room.

A corneal topographer is a computerized instrument that creates a detailed three-dimensional map of the cornea. The corneal topographer has a computer linked to a lighted bowl that contains a pattern of rings. The patient sits in front of the bowl while a series of data points are generated. Computer software digitizes these data points and creates a colored map of the cornea.

The specular microscope records on video or photographs the corneal endothelium cells. Endothelium cells are clear hexagonal-shaped cells responsible for providing nourishment to the cornea. If the cell layer fails, the cornea becomes thick and is no longer clear. The patient's cornea is anesthetized with eye drops. The patient's head is then placed into a frame with a chin rest. The camera is then placed in contact with the cornea, and the endothelium cells are brought into focus and recorded. The images will allow a cell count to be taken. Cell counts have been used to evaluate a wide variety of procedures, primarily those used in cataract surgery.



Corneal Topographer

### Ophthalmology Laser Rooms

Three different types of lasers are used by Ophthalmology for eye surgery. The lasers are the YAG, SLT, and Retinal Photocoagulation lasers. The YAG laser is used to clear the posterior capsule (back membrane behind the lens) that may become cloudy after cataract surgery. The Selective Laser Trabeculoplasty (SLT) is a form of laser surgery used to lower eye pressure in glaucoma patients. Laser photocoagulation uses the heat of the laser to seal or destroy abnormal leaking blood vessels in the retina and to treat retinal breaks.

### Electrodiagnostics (ED) Room

Electroretinography, or ERG, measures the electrical response of light sensitive cells in a patient's eyes. These cells are the rods and cones. Rods work at low levels of light and cones are used to see color in bright light.

The patient first has their eyes dilated. Then anesthetic drops are placed in the eye to numb it. A small electrode about the size of a contact lens is placed on the eye. Another electrode is placed on the patient's skin to act as a ground. The patient now watches a flashing light in both normal light and a darkened room. The electrode measures the retina's electrical response to the light. The electrical response in the lighter room mainly tests the retina's cones, and the darkened room mainly tests the rods. The information from the electrodes is displayed and recorded on a monitor. The results are used to diagnose the following conditions: congenital night blindness, retinal detachment, cone-rod dystrophy, Vitamin A deficiency, and trauma.

The Visual Evoked Potential (VEP) device measures the electrical activity in the vision system. When light from an image enters the eye, it is converted into electrical energy at the retina and travels through the optic nerve to the visual cortex of the brain which processes vision.



SLT Laser



YAG Laser



Visual Evoked Potential (VEP) Testing Device

**FA 3: Ophthalmology Service Support Area****FA 8: Optometry Service Support Area**

The support area includes additional functions to support the Eye Clinic operations including Clean Supply, Soiled Utility Rooms, and alcoves for wheelchair storage and movable medical equipment.

Service Support Area also provides the means of delivering storage and distribution of medicines and reusable medical equipment.

**FA 4: Ophthalmology Service Staff and Administrative Area****FA 9: Optometry Service Staff and Administrative Area**

Enclosed office spaces and technician workstations shall be provided per number and square feet authorized for the service. Key offices include those for the Chief of Ophthalmology, Chief of Optometry, Assistant Chiefs of Ophthalmology and/or Optometry, and respective Administrative Officer(s) (AO)/Secretary(s), in addition to private and shared offices as authorized.

In planning for future flexibility of spaces, it is beneficial to plan for a modular (i.e. same size/same proportion) approach for offices to allow the spaces to be reallocated without significant reconfiguration. Access to and control of natural light should be considered in designing these spaces for staff satisfaction and stress reduction. Spaces for clinically active providers will need to ensure that patient privacy requirements are met. To meet the square foot guidelines, two providers may share a single private office with a lockable door and lockable desk and file cabinets.

Administrative areas include a team collaboration area which should be accessible to staff and easily navigable from the procedure area.

The Staff Lounge and Staff Locker Room are important respite areas which reduce stress and enable staff to maintain quality service when clinics are active. The Staff Lounge shall be conveniently located near staff work areas, but also separate from patient areas. Provision of a separate locker room from the staff lounge is desirable for staff privacy and noise reduction. In renovation projects where space is limited, the lockers may be located in the Lounge. Staff toilets should be located immediately adjacent to the staff lounge, but should not open into it.



Supply Storage, VA Palo Alto Health Care System - Optometry Clinic



Staff/Administration Area, Group Health Eye Care, Seattle, WA

**FA 5: Ophthalmology Service Education Area**

**FA 10: Optometry Service Education Area**

Spaces for Education are required when a residency and/or internship/externship program(s) is authorized. In these cases, they may include an Office for the Residency and/or Internship/Externship Program Directors(s), workstations for Residents, Interns, Externs, and Fellows, and a Team Collaboration Room.

**FA 11: Optical Fitting Area**

An Optical Fitting and Dispensing Area will be provided if authorized. This area will allow for the fitting and dispensing of eyeglasses. Programmed space will include display cabinets and storage space for frames and contact lenses.

The fitting and dispensing of eyeglass services is often provided by third party contractors through the Veterans Canteen Service Contract.



VAMC Orlando Eye Clinic



Charlotte Eye Ear Nose & Throat Associates (CEENTA)

## Other Functional Considerations

### Functional Considerations

The planning approach should locate high-volume, short-duration services closer to patient waiting areas. This will decrease both patient and staff travel times, thus increasing the staff's time with patients. Procedures with low volume or longer duration times may be located further inside patient areas.

The physical design of all areas must meet patient privacy and patient rights requirements as well as employee safety and ergonomics standards as adopted by VA.

When both services are provided in the Eye Clinic resources can be shared, such as Reception, Waiting and Support Services. Wherever possible, the services should be separated into individual pods. Testing Services will be arranged closer to the Waiting Room to allow for a better patient flow. Some patients only require tests instead of a full examination, so an in and out approach is efficient. Those needing full examination usually require one or more tests before examination. Locating Exam/Treatment spaces further away from the Waiting Rooms will help alleviate cross traffic.

Additional Waiting Areas for dilation should be located back in the Exam Areas where space allows.

### Physical Security

Security is a key objective when patients are preparing for, undergoing, or recovering from procedures. During procedures, patients may feel vulnerable. Traffic unrelated to the procedure and the intrusion of noise unrelated to the patient's care are issues which smart planning and design choices can help control.

### Flexibility

The design of healthcare facilities must respond to changes in technology, changing workloads, and operational efficiency objectives. To facilitate easy and more cost effective future adaptability, designers should consider the use of spaces of standard size and proportions to accommodate a range of related functions. Use of a standard planning module (grid) throughout a clinical procedures area is encouraged.

All Examination Rooms should be laid out identically to allow for multiple healthcare professionals to use the same room in the most efficient manner. The treatment spaces and testing spaces are sized so that the rooms may be easily converted into exam rooms if future needs arise.

### Efficiency

VA is committed to efficient use of resources including energy, materials, equipment, and staff. Refer to VA Sustainable Design Manual on VA Technical Information Library (TIL) <http://www.cfm.va.gov/TIL>.

### Accessibility

Accessibility is accommodated by the application of PG-18-13, VA Barrier Free Design Standard; Architectural Barriers Act Accessibility Standards (ABAAS), Appendices C and D to 36 CFR Part 1191 (adopted by GSA and supersedes Uniform Federal Accessibility Standards, UFAS); and ADA Standards for Accessible Design (28 CFR Part 36) to space and fixed equipment layouts.

### Future Trends

Technological advancements continue to provide new diagnostic equipment for eye care which may require additional space and infrastructure. Flexibility should be provided wherever and whenever possible.

THIS PAGE INTENTIONALLY LEFT BLANK

## TECHNICAL CONSIDERATIONS

### Architectural

- *Interior Design*

Follow guidance in PG-18-10, Interior Design Manual for New Construction and Renovations of Hospitals and Clinics, and PG-18-14, Room Finishes, Door and Hardware Schedule. Where a specific guide plate is not provided for a space or function in this Design Guide, refer to PG-18-14 and the general design information below. Coordinate interior/material finish selections with interior design and way-finding concept developed on a per project basis.

The goal of the design is to provide an interior environment that fosters healing of both the patients' mind and body and respects the public funding aspect of VA projects. Design concepts should create a calming atmosphere. This can be achieved by using materials that are based on nature and have subtle color following evidence-based design theory. Trendy colors should be used at a minimum and in locations that are easily modified to avoid dating the facility.

Glare, improper low contrast, and low illuminance levels are three of the most common visual impediments in the built environment. Light and contrast in the visual environment are equally important for persons with impaired vision to see and understand the environment around them.

High-contrast and low-glare finish materials should be selected for spaces being used by those persons with impaired vision. Wall base and flooring should be contrasting both in color and value. Floors should be free of busy patterns to avoid difficulty finding dropped items and patterns should correspond with the circulation path. Select resilient flooring with a spectral reflectance to minimize glare, especially near windows and light sources. If using carpet, avoid contrasting colors in patterns that might suggest changes in level.

Doors and casework should also contrast with the walls in color and value. Casework that includes a sink should contrast from the sink itself. Select wall coverings that provide medium contrast value with both the doors and the flooring and have a spectral reflectance to minimize the glare. Avoid countertop materials that are highly polished.

For toilet rooms, colors and values of finishes for plumbing fixtures, partitions, and countertops should provide strong contrast to improve their visibility to the users. Matte finish walls and floor tile should be selected to avoid glare.

Durability, cleanliness, and timelessness are qualities that should be incorporated into all material selections, providing a distinctive clear lead for the planning and selection of furniture and artwork.

- *Way-finding*

Patients, visitors, and staff need to know where they are, where their destination is, how to get there and how to return to their point of origin. In addition to signage, strategies for way-finding include architectural design elements, color, pattern, and lighting. Advancements in technology have introduced smartphone apps that use localized GPS to direct people to their destination.

These elements need to be addressed early, so they become an integral part of the design creating a natural and intuitive path of travel.

- *Partitions*

Partitions should generally be gypsum wallboard (GWB) on appropriately sized metal studs to accommodate different slab-to-slab dimensions, recessed items, and utility runs. Provide sound attenuation in accordance with PG-18-3, VA Design and Construction Procedures, Topic 11: Noise Transmission Control. Provide wall protection in accordance with the Interior Design Manual for New Construction and Renovations of Hospitals and Clinics.

Incorporate corner guards in corridors and other areas where the potential for wall damage from wheeled

patient and cart traffic is anticipated. To reduce an institutional feeling in patient areas, corner guards should be set flush with adjacent wall surfaces, as opposed to surface-mounted, and selected in a color that matches the adjacent wall color.

Floor finish throughout should be luxury vinyl tile with rubber base. For all Clean and Soiled Utility Room, and Clean Storage Rooms, floor finish should be welded seam resilient flooring (WSF) with 4 inch integral covered base. Floors in Offices and Conference Rooms should be carpet with a 4 inch (100 mm) high rubber base. Floors in Toilet Rooms should be porcelain tile with a porcelain tile base.

- *Ceilings*

In most spaces, including toilet rooms, lay-in acoustic ceiling tile should be used. Where required for sanitation or moisture resistance, such as the Eye Procedure Room, Clean and Soiled Utility Rooms, acoustical ceiling tile shall have a washable sprayed plastic finish, designated "SP" in PG-18-14.

- *Interior Doors*

Doors should be 1-3/4 inches (44 mm) thick, solid core, flush wood doors or hollow metal doors in hollow metal frames. Hollow metal doors should be used where high impact is a concern and where fire-rated doors are required. Door widths shall be as indicated in PG-18-14.

Since a preponderance of wheelchairs and wheeled patient transport should be expected in VA facilities, consider the use of high impact doors fully clad in solid vinyl guard sheets. These will maximize protection, add durability, ease maintenance, and lessen an institutional feeling. In non-patient service areas where hollow metal doors are to have paint finish, solid vinyl kick or mop plates should be added to both sides of doors.

- *Millwork*

Departmental reception points may be best served with the use of custom millwork to respond to individual facility designs and configurations. Millwork should be used as an architectural encasement for standard modular components, such as files and storage cabinets, which are listed in the Equipment List for each relevant space. Millwork will provide both the transaction surface at stand up height as well as the work counter at normal desk height for a receptionist and to accommodate wheelchair patients.

Transaction counters and work surfaces at desk height should be made of solid surface materials which resist chipping and staining. Kickplates should be a minimum of 9" high. A rigid material that can take abuse from wheelchair foot rests should be specified. Consider including task lighting built under the transaction counter. Coordinate locations of computers, printers, keyboards, and power and data ports as required by facility needs. Provide accessible countertop heights for wheel chair patients.

- *Hardware*

Accessible-type should be used throughout. Refer to PG-18-14, Room Finishes, Door and Hardware Schedule and PG-18-4, National CAD Standards and Details, Detail 08 00 00-1.dwg for additional information. Lock mechanisms which can be disengaged by staff from the corridor side should be used for all spaces where patients are left unattended, such as toilet rooms.

- *Security*

Partitions, doors, and hardware for Procedure Suites and other sensitive spaces have special security requirements. Refer to PG-18-3, VA Design and Construction Procedures, Topic 14: Security and latest VA directives related to safety and security for Women Veterans.

## Structural

The structural design of VA facilities shall comply with the latest editions of the following:

- Reinforced concrete design - ACI 318 Building Code Requirements for Reinforced Concrete, American Concrete Institute.
- Structural Steel Design, Specifications for Structural Steel Buildings, American Institute of Steel



Construction, Inc.

- International Building Code (IBC), International Conference of Building Officials.
- VA Seismic Design Requirements (H-18-8)

In compliance with Executive Order (EO) 13717, all new and existing buildings constructed or leased by the Federal Government must be seismically safe.

The Eye Procedure Room includes ceiling mounted lights and a microscope which require structural framing above the ceiling to support them. Vibration isolation for the microscope is required. Coordinate with the microscope manufacturer's installation instructions.

### Equipment

Equipment Lists are provided for the Design Plates in this section. Additional general information and guidance is available on the TIL. Refer to PG-18-5, Equipment Guide List for a list of equipment, furnishings, and utility requirements for each space in a functional area. VA personnel may refer to PG-18-6, Equipment Reference Manual for graphic representations of each piece of equipment to be purchased and installed by the construction contractor. Refer to equipment manufacturers' data for information specific to a particular equipment item.

- *Casework*

For planning and utilization concerns, casework systems with modular components will provide flexibility and durability. Casework systems should incorporate components dimensioned for ease of multiple re-use installation applications. Casework systems should be planned to avoid corner installations and filler panels.

Counters for all clinical and clinical support areas shall be made of solid surface materials per PG-18-14, which offer long-term durability and resist chipping and staining from medical agents expected to be used in clinical environments. Plastic laminate veneer materials should only be used for vertical and non-clinical horizontal applications.

### Information Management Systems

Reference VA Design Guide Office of Information and Technology (OI&T) for Information Management Systems. Coordinate with local information management systems in place.

In general, ports for data access shall be distributed to all occupied spaces. Specific locations for data access will be per Design Plates in this document and/or as required by specific project needs.

### Heating, Ventilation and Air Conditioning

- *General*

Air conditioning systems will be provided to heat, cool, and ventilate the Eye Clinic as required to satisfy VA design criteria. Follow criteria in PG-18-10, HVAC Design Manual listed on VA website under Office of Construction & Facilities Management (CFM). Also, refer to PG-18-1, Master Construction Specifications and PG-18-4, Standard Details and CAD Standards for items that may apply within the Eye Clinic. See Sustainable Design Manual (May 2014) for additional information and requirements.

The air conditioning system serving the Eye Clinic shall be designed to operate in occupied/unoccupied modes to suit applicable schedules.

- *Room Data Sheet Criteria*

The number of occupants, air conditioning temperatures, noise criteria, and room pressurization indicated on the Room Data Sheets in the Design Plates for select rooms of this section is for the purpose of establishing general planning parameters. The design architect and engineer (A/E) shall verify the actual occupant load and air conditioning load for each specific room on each project. Verify equipment loads for actual equipment to be furnished within that room for the specific project. While specific outside air quantities are noted on the Room Data Sheet for each Guide Plate room, the percent of outside air shall be based on the total supply air quantities determined for each specific project.

- *Air Quality and Distribution*

In general, clean areas shall be maintained at positive air balance and soiled areas shall be maintained at negative air balance on the adjoining areas. Specific pressure requirements are noted on the Room Data Sheet for each Guide Plate room.

Corridors shall not be used to supply or exhaust/return air from adjacent rooms, except that they may be used to ventilate Housekeeping Aides Closets (HAC) and small electrical or telephone closets opening directly onto them. Ex-filtration and infiltration from positive or negative-pressure rooms adjacent to a corridor should be considered in balancing air flow.

Care should be taken to minimize the short circuiting of air between supply and return or exhaust openings in rooms, with careful placement of supply registers and return grills inside rooms such as the Procedure Room.

Minimum air changes per hour required are noted on Room Data Sheets in this section.

- *Exhaust System*

The HVAC design shall provide for exhaust air from spaces to provide proper room pressurization and proper air changes per hour that may be required by the VA HVAC Design Manual or code standards.

- *Energy Conservation*

The need to conserve energy is mandated by the Federal Government by Executive Order and Federal Law.

Also, nineteen Federal Agencies, including VA, have signed a Memorandum of Understanding (MOU) outlining specific goals and targets for energy conservation and sustainable design. The following references apply to VA project design, with more detailed information to be found within the HVAC Design Manual for Hospital Projects:

- Sustainable Design Manual (May 2014)
- DOE Final Rule, and Energy Policy Act (EPACT 2005)
- Energy Conservation Executive Order No. 13423 - Dated January 24, 2007
- Federal Leadership in Environmental, Energy and Economic Performance Executive Order No. 13514 - Dated October 8, 2009

- *Seismic Requirements*

Where required, install HVAC systems with seismic provisions as outlined in the PG-18-10, HVAC Design Manual for Hospital Projects, PG-18-1, Master Construction Specifications (MCS) Section 13 05 41, Seismic Restraint Requirements for Non-Structural Components, and H-18-8 Seismic Design Handbook.

- *Design Conditions*

Year-round Conditions: 70 F to 75 F [21 C to 24 C] and 20% to 60% RH as defined in 2008 ASHRAE Handbook of Applications. The system shall be capable of maintaining temperatures within the range during normal working conditions. The cooling load for these spaces shall be calculated to maintain 75 F [24 C] at 60% RH and the heating load shall be calculated to maintain 70 F [21 C] at 20% RH. The year-round conditions can be used for variable air volume (VAV) or constant volume (CV) systems. Year-round design conditions shall be used for all patient areas except as noted in PG-18-10, HVAC Design Manual.

## Plumbing

- *General*

Plumbing systems will be provided for the Eye Clinic as required to satisfy VA design criteria. Follow criteria in PG-18-10, VA Plumbing Design Manual. Also refer to PG-18-1, Master Construction Specifications and PG-18-4, Standard Details and CAD Standards items that may apply within the Eye Clinic.

- *Room Data Sheet Criteria*

The Room Data Sheets in this section indicate typical quantities of plumbing fixtures and equipment as well as medical gas outlets to establish the general planning parameters. The architect and engineer (A/E) shall verify the exact fixtures and medical gas locations and quantities for individual projects.

- *Water Systems*  
Domestic cold and hot water shall be piped to all plumbing fixtures and equipment requiring these utilities.
- *Waste Water Systems*  
Plumbing fixtures and drains shall be drained by gravity through sanitary waste stacks, including required vent stacks.
- *Medical Gas Systems*  
Medical gas distribution is noted on Design Plates for Ophthalmology Procedure Room. Specific quantities and locations should be determined on a per project basis.
- *Seismic Requirements*  
Where required, the plumbing and medical gas systems shall be installed with seismic provisions as outlined in the PG-18-10, Plumbing Design Manual for Hospital Projects, PG-18-1, Master Construction Specifications (MCS) Section 13 05 41, Seismic Restraint Requirements for Non-Structural Components, and H-18-8 Seismic Design Handbook.

### Electrical Systems

- *Lighting*  
Many common eye conditions can make people more sensitive to light. Glare affects their ability to see clearly and can even cause discomfort. Proper lighting design is required in the waiting areas to facilitate the comfort of the patient. The ability to dim the lights is required.

Lighting control is required by the staff to perform examinations and imaging procedures. Light fixtures that are designed to reduce glare are necessary for patient comfort. The Lighting Design Manual provides design A/E guidance for lighting design for some of the Eye Clinic areas. The design A/E has the option of using either fluorescent or LED lighting technology. The design A/E shall follow the Reflected Ceiling Plan in Section 4 - Design Guide Plates of this Design Manual for the placement of luminaires. The design A/E shall select appropriate number of lamps in each luminaire to render the required illuminance level for each room and task.

Lighting levels in all Treatment, Imaging, and Testing rooms are required to fluctuate from high to low in order to accommodate specific tasks as indicated in Room Data Sheets. Therefore, the design A/E must implement luminaires with dimming capabilities using multi-level switching, dimming arrangements, or both. The switching arrangement shall allow control from the wall and the refraction desk in the Treatment Rooms. Task lighting over the workstations shall be switched independently from the room lights. Point-to-point foot-candle calculation for each room or area must be performed using commercially available computer software to validate compliance with lighting level and energy conservation requirements. The calculations must be documented and provided to VA for review and concurrence.

### Power

- *General*  
The A/E shall provide electrical design for all electrically operated equipment. The A/E shall confirm electrical requirements of all equipment to provide correct design and load calculations. A/E shall show receptacles or hardwire connections for all electrically operated equipment.

### Communications/Special Systems

- *Telephone*  
Telephone outlets are typically provided at each workstation or in each room. Refer to PG-18-10 for additional requirements. Telephones shall be located at the desk and wall-mounted when possible.
- *Information Technology (IT)*  
Computer Data (Telecom) outlets are typically provided at each workstation or in each room. Specific

locations and equipment for key rooms are noted on Design Plates in this section.

- *Clock System*  
Provide battery operated clocks synchronized wirelessly. Both the overall system and the specific locations will be determined on a per facility basis.
- *Television*  
Television outlets are provided at selected areas as determined by function or local facilities policy.
- *Public Address*  
Provide a system in accordance with PG-18-1, Master Construction Specifications (MCS) Section 27 51 16, Public Address (PA) and Mass Notification Systems. The public address system is typically part of the telephone system. Speakers are generally located in corridors and public spaces. The actual system configuration will depend on the overall design layout and functional requirements. Determine whether the Eye Clinic will be included as part of the hospital-wide PA system or have an independent system.

### **Fire Protection and Life Safety Systems**

- *Fire Detection and Sprinkler System*  
Provide fire alarm and detection systems in compliance with NFPA 101 and NFPA 72 as well as VA Fire Protection Design Manual. Coordinate the location of sprinklers with other ceiling systems in accordance with the current version of the VA Master Construction Specifications and VA HVAC and Plumbing Design Manuals.

### **Solid Waste Management**

Space requirements for waste holding areas will vary with the selection of waste collection and recycling methods and systems. They will need to be analyzed to determine the method to be considered for new facilities or coordinated with existing facilities. While space needs are determined by VA Space Planning Criteria on a departmental basis, space provisions for waste collection need to be distributed and dedicated for a variety of uses.

- *Medical Waste*  
Medical waste is generated in most patient care spaces as well as instrument clean up areas where it is bagged, collected and transported to the Soiled Utility Rooms. It is then held in separate containers pending transport to the medical waste handling facility or disposal by contract.
- *General Waste*  
General waste is generated in all spaces and is held in containers for collection and/or sorting.
- *Recyclable Waste*  
Methods for sorting, collecting, transporting, and disposing of recyclable products must be specifically analyzed for each facility and location. The optional use of disposable and reusable products is an important consideration in recycling and waste disposal alternatives.
- *Soiled Linen*  
Soiled reusable linens may be generated in exam rooms, procedure spaces, and patient and staff gowning areas. Soiled linens are collected in carts or hampers (depending on volume) and are held in soiled linen rooms or linen carts in Soiled Utility Rooms pending transport to the laundry facility. Disposable linens are included with recyclable waste or medical waste as appropriate.

---

**REFERENCES**

Andeane PO, Rodriguez CE. Effects of Environmental Characteristics on Perceived Stress in Patients in Healthcare Settings. Paper presented at: The Environmental Design Research Association 40th Annual Meeting; May 28, 2009; Kansas City, MO.

American Institute of Architects. Planning for Change: Hospital Design Theories in Practice. [http://info.aia.org/nwsltr\\_print.cfm?pagename=ahh\\_jrnl\\_20051019\\_change](http://info.aia.org/nwsltr_print.cfm?pagename=ahh_jrnl_20051019_change). Published October 19, 2005. Accessed March 14, 2009.

Arneill AB, Devlin AS. Perceived Quality of Care: The Influence of the Waiting Room Environment. *Journal of Environmental Psychology*. 2002; 22:345-360.

Becker F, Douglass S. The Ecology of the Patient Visit: Physical Attractiveness, Waiting Times, and Perceived Quality of Care. *J Ambulatory Care Manage*. 2008;31(2):128-141.

Berwick D. What 'Patient-Centered' Should Mean: Confession Of an Extremist. *Health Affairs*. 2009; 4:w555-w565.

Marilyn Haddrill and Charles Slonim, MD. All About Vision: Visual Field Testing. <http://www.allaboutvision.com/eye-exam/visual-field.htm>. Page Updated January 2016.

Kirby R. Miller, CRA., Jervey Eye Group, Greenville, S. C. Ophthalmic Photographers' Society: Specular Endothelial Micrography. <http://www.opsweb.org/?page=Specular>. Published 2011-2013

Kierstan Boyd. Reviewed by J. Kevin McKinney, MD. American Academy of Ophthalmology: What is Optical Coherence Tomography? <https://www.aao.org/eye-health/treatments/what-is-optical-coherence-tomography>. October 14, 2015

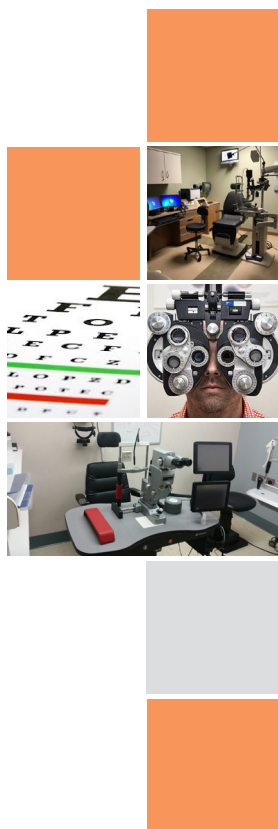
Ann Pietrangelo. Medically reviewed by Steve Kim, MD. Healthline: What is an Eye and Orbit Ultrasound? <http://www.healthline.com/health/eye-and-orbit-ultrasound>. December 16, 2015

Design Guidelines for the Visual Environment: Low Vision Design Program: National Institute of Building Sciences, Version 6. May 11, 2015: [https://c.ymcdn.com/sites/www.nibs.org/resource/resmgr/LVDC/LVDP\\_Guidelines\\_052815.pdf](https://c.ymcdn.com/sites/www.nibs.org/resource/resmgr/LVDC/LVDP_Guidelines_052815.pdf)

THIS PAGE INTENTIONALLY LEFT BLANK

### SECTION 3 - FUNCTIONAL DIAGRAMS

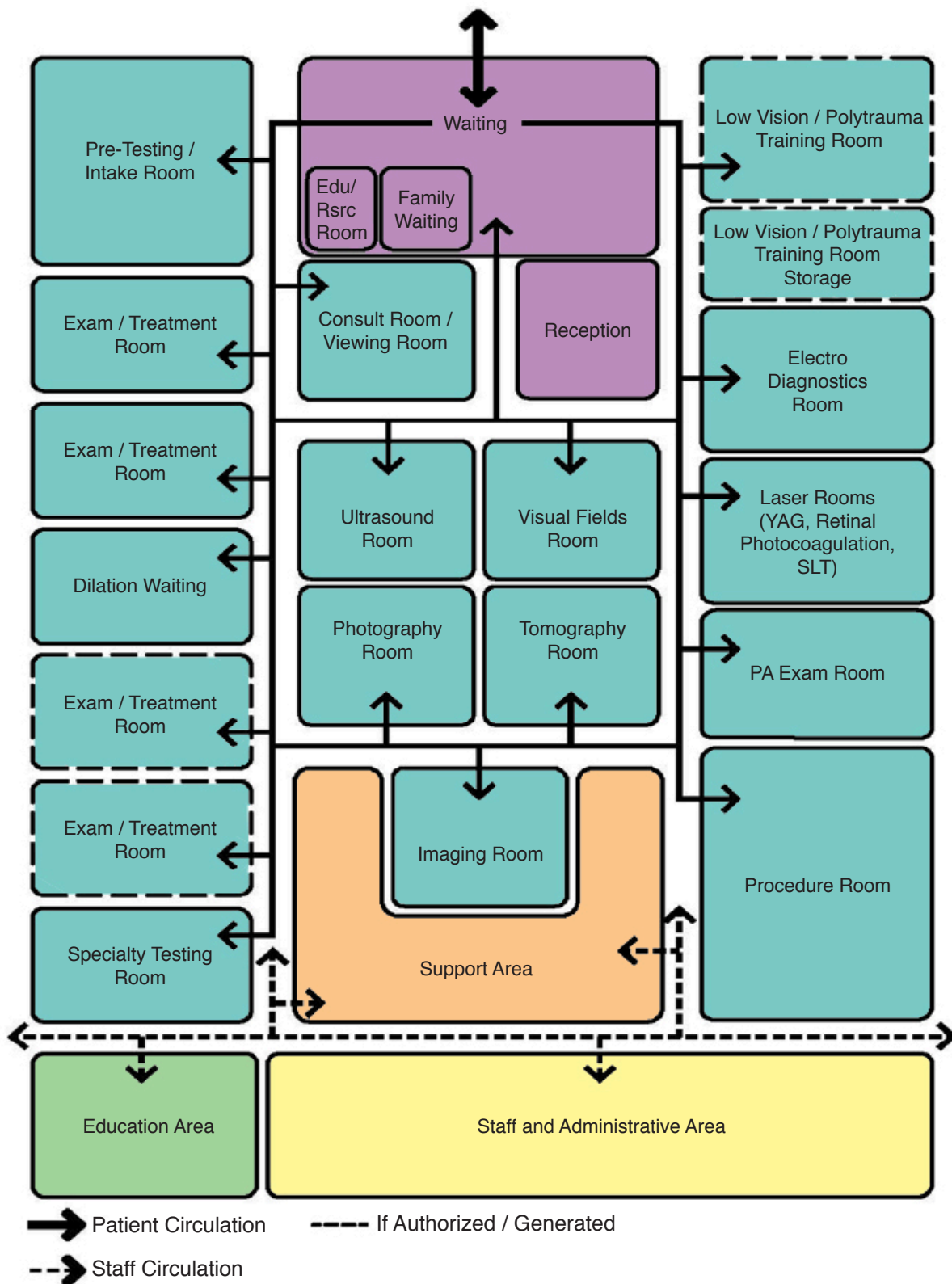
FUNCTIONAL DIAGRAM OPHTHALMOLOGY SERVICE  
FUNCTIONAL DIAGRAM OPTOMETRY SERVICE



THIS PAGE INTENTIONALLY LEFT BLANK

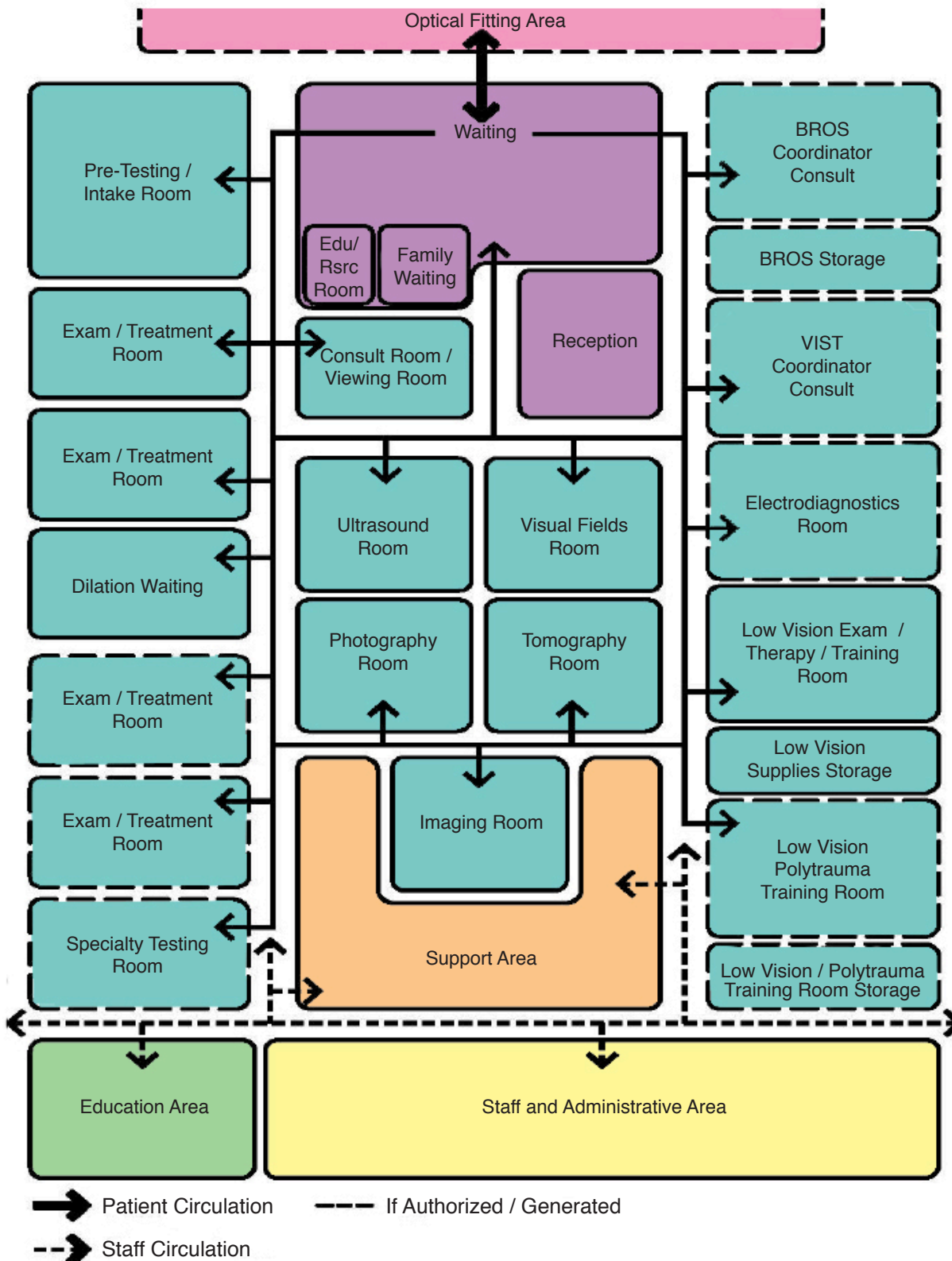


**OPHTHALMOLOGY SERVICE  
FUNCTIONAL DIAGRAM**



THIS PAGE INTENTIONALLY LEFT BLANK

**OPTOMETRY SERVICE  
FUNCTIONAL DIAGRAM**



THIS PAGE INTENTIONALLY LEFT BLANK

## SECTION 4 - DESIGN PLATES

### INTRODUCTION

PRE-TESTING / INTAKE ROOM, OPHTHALMOLOGY (OPPT1)

PRE-TESTING / INTAKE ROOM, OPTOMETRY (OPPT2)

EXAM / TREATMENT ROOM, OPHTHALMOLOGY (OPET1)

EXAM / TREATMENT ROOM, OPTOMETRY (OPET2)

PROCEDURE ROOM, OPHTHALMOLOGY (OPPR1)

VISUAL FIELDS ROOM, OPHTHALMOLOGY (OPVF1)

VISUAL FIELDS ROOM, OPTOMETRY (OPVF2)

PHOTOGRAPHY ROOM, OPHTHALMOLOGY (OPPH1)

PHOTOGRAPHY ROOM, OPTOMETRY (OPPH2)

ULTRASOUND ROOM, OPHTHALMOLOGY (OPUS1)

ULTRASOUND ROOM, OPTOMETRY (OPUS2)

TOMOGRAPHY ROOM, OPHTHALMOLOGY (OPOC1)

TOMOGRAPHY ROOM, OPTOMETRY (OPOC2)

IMAGING ROOM, OPHTHALMOLOGY (OPIM1)

IMAGING ROOM, OPTOMETRY (OPIM2)

YAG LASER ROOM, OPHTHALMOLOGY (OPLS1)

SLT LASER ROOM, OPHTHALMOLOGY (OPLS3)

RETINAL PHOTOCOAGULATION LASER ROOM, OPHTHALMOLOGY  
(OPLS2)

ELECTRODIAGNOSTICS ROOM, OPHTHALMOLOGY (OPED1)

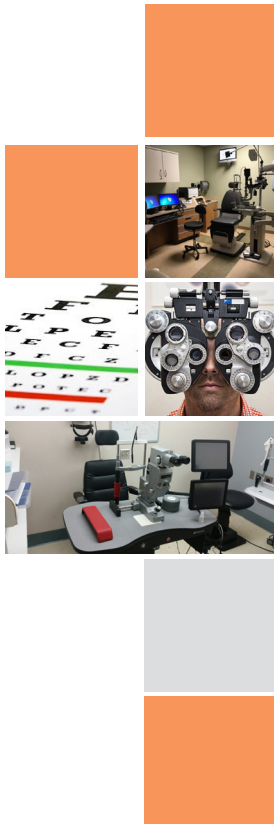
ELECTRODIAGNOSTICS ROOM, OPTOMETRY (OPED2)

LOW VISION / POLYTRAUMA TRAINING ROOM, OPHTHALMOLOGY  
(OPLV1)

LOW VISION / POLYTRAUMA TRAINING ROOM, OPTOMETRY (OPLV2)

*Design Plates are graphical representations of selected room types, illustrating the integration of space, Components, Systems and Equipment. They provide typical configurations and general technical guidance, and are not intended to be project specific.*

*Specific infrastructure design requirements are contained in VA Design Manuals located in the VA Technical Information Library.*



THIS PAGE INTENTIONALLY LEFT BLANK

## SECTION 4 - DESIGN PLATES

### INTRODUCTION

This section covers technical considerations for planning and designing for Ophthalmology and Optometry Services. The discussion includes detailed technical considerations for architectural, mechanical systems and other related components. To support this discussion, selected rooms are detailed in the form of Design Plates.

Each Design Plate includes an axonometric view, floor plan, reflected ceiling plan, elevations, room data sheet, and an equipment list. The equipment list provides a comprehensive overview of space planning and utility requirements and locations for the key rooms in this service.

Design Plates for the following key rooms in this section are as follows:

- Pre-Testing / Intake Room, Ophthalmology (OPPT1)
- Pre-Testing / Intake Room, Optometry (OPPT2)
- Exam / Treatment Room, Ophthalmology (OPET1)
- Exam / Treatment Room, Optometry (OPET2)
- Procedure Room, Ophthalmology (OPPR1)
- Visual Fields Room, Ophthalmology (OPVF1)
- Visual Fields Room, Optometry (OPVF2)
- Photography Room, Ophthalmology (OPPH1)
- Photography / Imaging Room, Optometry (OPPH2)
- Ultrasound Room, Ophthalmology (OPUS1)
- Ultrasound Room, Optometry (OPUS2)
- Tomography Room, Ophthalmology (OPOC1)
- Tomography Room, Optometry (OPOC2)
- Imaging Room, Ophthalmology (OPIM1)
- Imaging Room, Optometry (OPIM2)
- YAG Laser Room, Ophthalmology (OPLS1)
- SLT Laser Room, Ophthalmology (OPLS3)
- Retinal Photocoagulation Laser Room, Ophthalmology (OPLS2)
- Electrodiagnostics Room, Ophthalmology (OPED1)
- Electrodiagnostics Room, Optometry (OPED2)
- Low Vision / Polytrauma Training Room, Ophthalmology (OPLV1)
- Low Vision / Polytrauma Training Room, Optometry (OPLV2)

### Notes

Room dimensions on the floor plans are closely approximate, but may not always reflect the exact programmed room area stated in the Space Planning Criteria, Chapter 233 Eye Clinic: Ophthalmology and Optometry Services.

Design guide has one plate that represents both Ophthalmology and Optometry on the same plan. For each design plate there are two room content lists; one for Ophthalmology and one for Optometry. The difference between the contents is listed on the drawings as "Ophthalmology Only" or "Optometry Only." Planners using this guide must coordinate with the individual room content lists.

Small, hand-held equipment items are not included on the Design Plates, but are indicated in the Room Content Lists.

THIS PAGE INTENTIONALLY LEFT BLANK

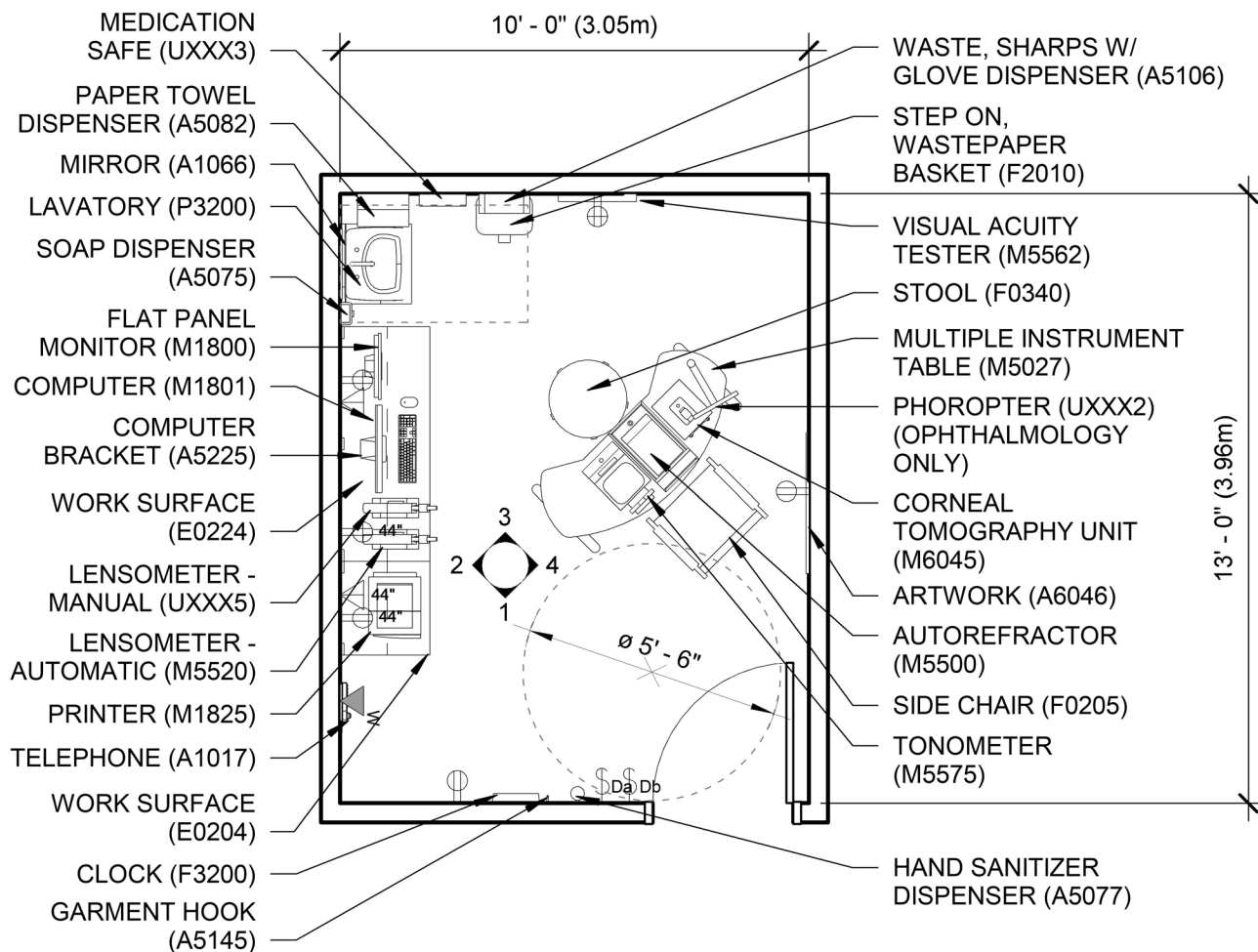




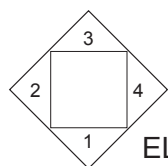
PRE-TESTING / INTAKE ROOM, OPHTHALMOLOGY (OPPT1)  
PRE-TESTING / INTAKE ROOM, OPTOMETRY (OPPT2)

NOTE: Design Plates are graphical representations of selected room types, illustrating the integration of space, components, systems, and equipment. They provide typical configurations and general technical guidance, and are not intended to be project specific. Specific infrastructure design requirements are contained in VA Design Manuals and Space Planning Criteria located in the VA Technical Information Library.

THIS PAGE INTENTIONALLY LEFT BLANK



NOTE: THE FOLLOWING SMALL, HAND-HELD EQUIPMENT ITEMS ARE NOT SHOWN ON THE DESIGN PLATE: PACHYMETER, ULTRASOUND, CORNEAL (M6040)



ELEVATION KEY

PRE-TESTING / INTAKE ROOM, OPHTHALMOLOGY (OPPT1)  
 PRE-TESTING / INTAKE ROOM, OPTOMETRY (OPPT2)

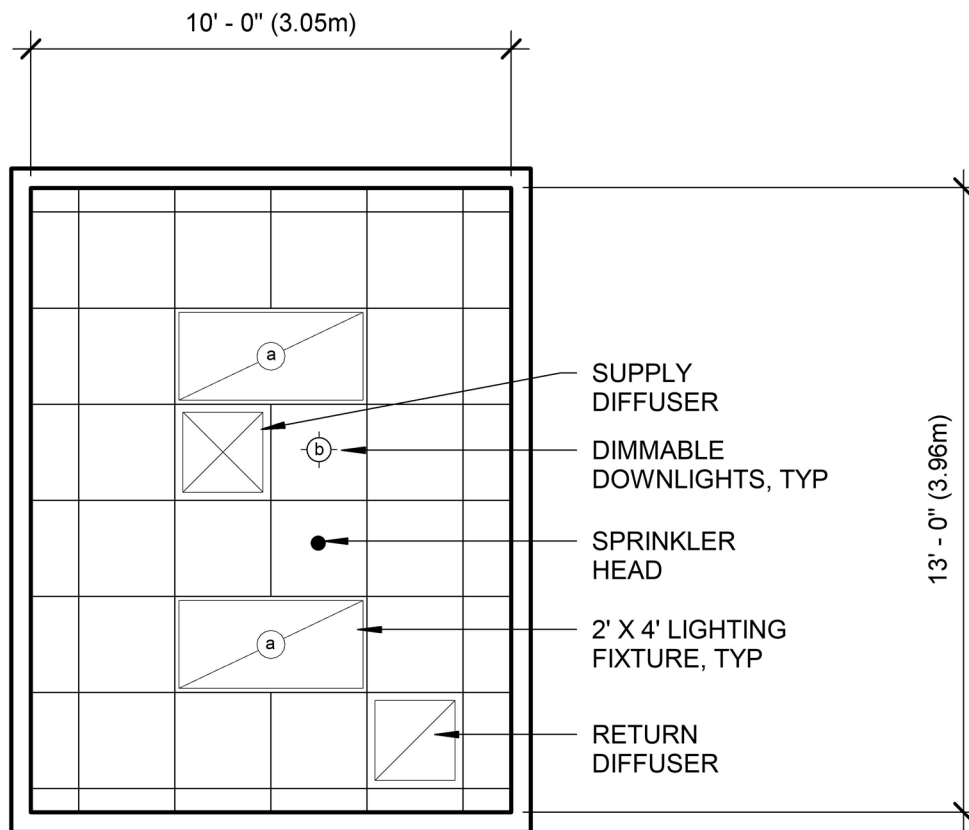
SCALE 1/4" = 1'-0"



Floor/Equipment Plan (130 NSF / 12.1 NSM)

NOTE: Design Plates are graphical representations of selected room types, illustrating the integration of space, components, systems, and equipment. They provide typical configurations and general technical guidance, and are not intended to be project specific. Specific infrastructure design requirements are contained in VA Design Manuals and Space Planning Criteria located in the VA Technical Information Library.

THIS PAGE INTENTIONALLY LEFT BLANK



PRE-TESTING / INTAKE ROOM, OPHTHALMOLOGY (OPPT1)  
 PRE-TESTING / INTAKE ROOM, OPTOMETRY (OPPT2)

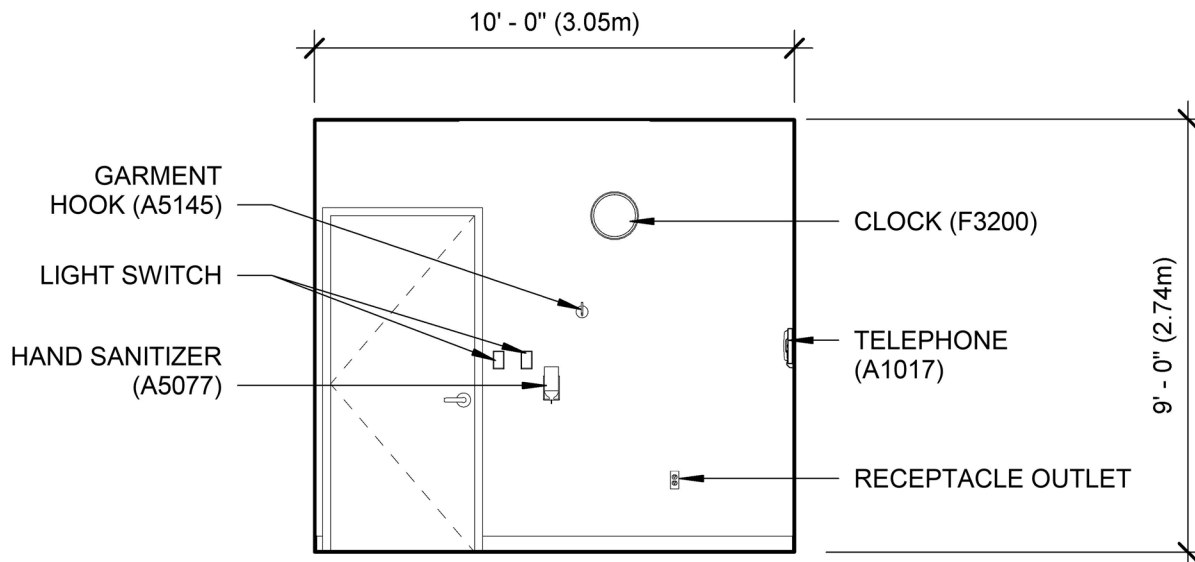
SCALE 1/4" = 1'-0"



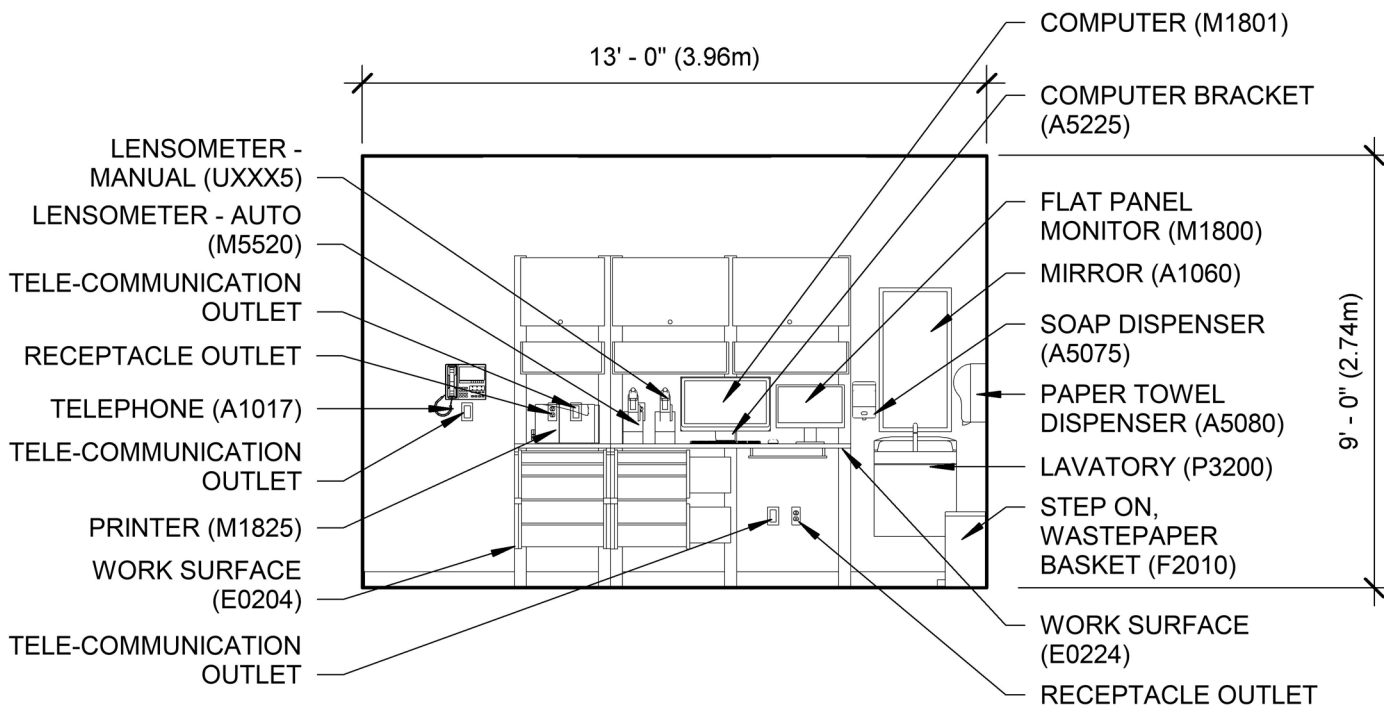
Reflected Ceiling Plan

NOTE: Design Plates are graphical representations of selected room types, illustrating the integration of space, components, systems, and equipment. They provide typical configurations and general technical guidance, and are not intended to be project specific. Specific infrastructure design requirements are contained in VA Design Manuals and Space Planning Criteria located in the VA Technical Information Library.

THIS PAGE INTENTIONALLY LEFT BLANK



Elevation 1



Elevation 2

PRE-TESTING / INTAKE ROOM, OPHTHALMOLOGY (OPPT1)  
 PRE-TESTING / INTAKE ROOM, OPTOMETRY (OPPT2)

SCALE 1/4" = 1'-0"

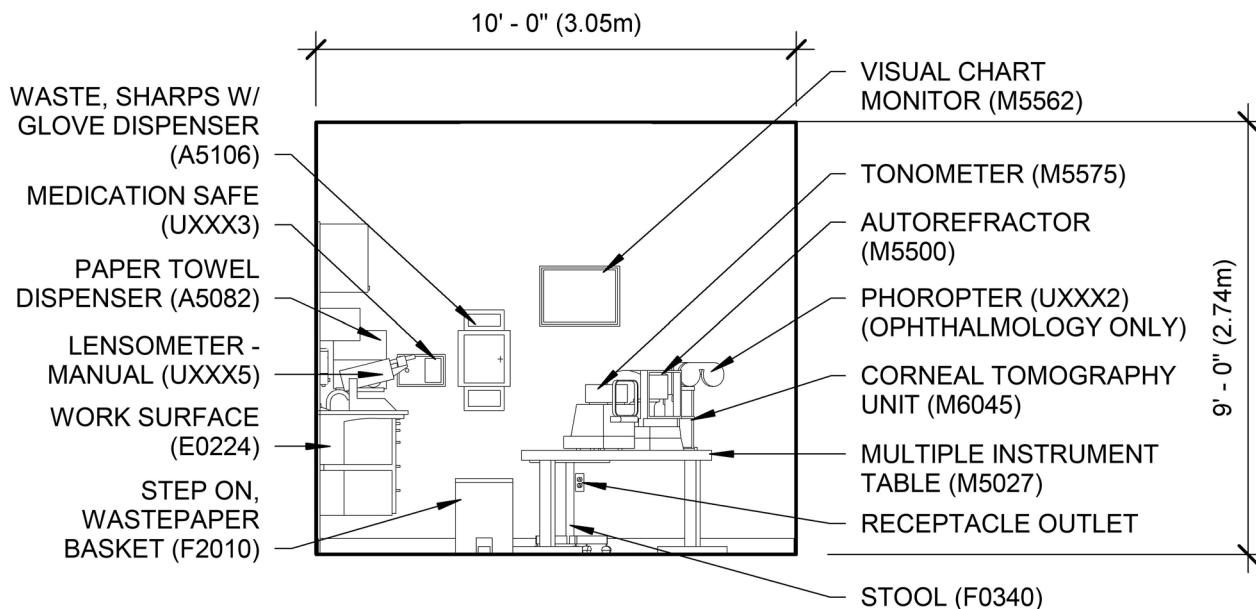


ELEVATIONS

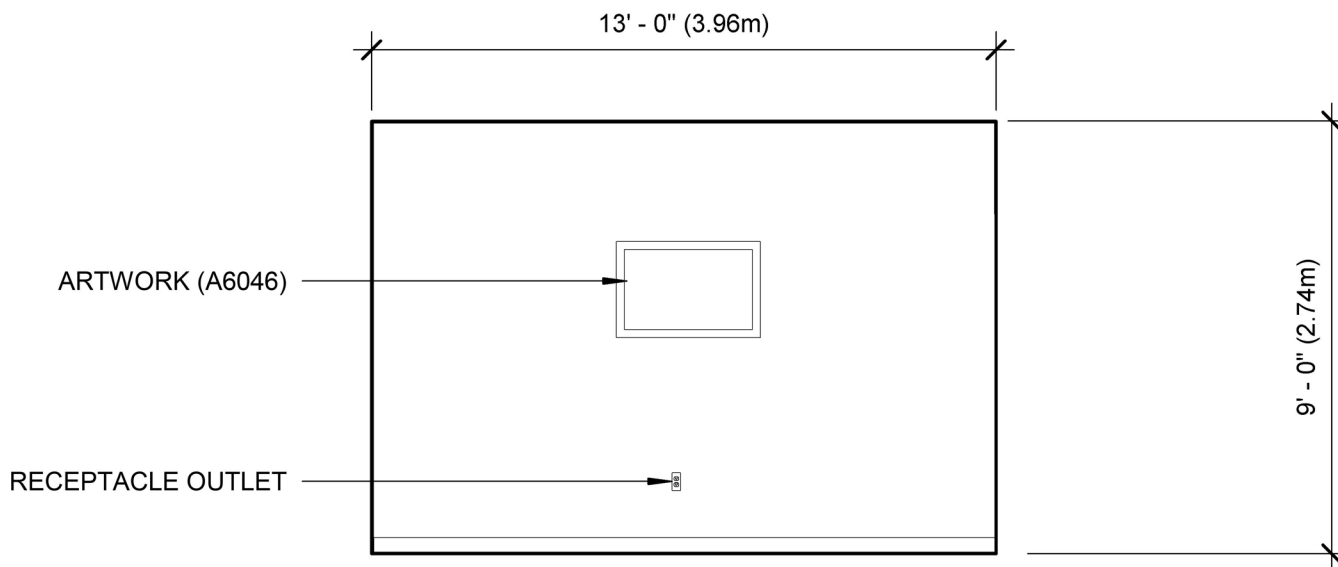
NOTE: Design Plates are graphical representations of selected room types, illustrating the integration of space, components, systems, and equipment. They provide typical configurations and general technical guidance, and are not intended to be project specific. Specific infrastructure design requirements are contained in VA Design Manuals and Space Planning Criteria located in the VA Technical Information Library.

THIS PAGE INTENTIONALLY LEFT BLANK





Elevation 3



Elevation 4

PRE-TESTING / INTAKE ROOM, OPHTHALMOLOGY (OPPT1)  
 PRE-TESTING / INTAKE ROOM, OPTOMETRY (OPPT2)

SCALE 1/4" = 1'-0"



ELEVATIONS

NOTE: Design Plates are graphical representations of selected room types, illustrating the integration of space, components, systems, and equipment. They provide typical configurations and general technical guidance, and are not intended to be project specific. Specific infrastructure design requirements are contained in VA Design Manuals and Space Planning Criteria located in the VA Technical Information Library.

THIS PAGE INTENTIONALLY LEFT BLANK

**PRE-TESTING / INTAKE ROOM, OPHTHALMOLOGY (OPPT1)****Room Content List**

JSN	NAME	QTY	ACQ/INA	DESCRIPTION
A1010	Telecommunication Outlet	2	V V	Telecommunication outlet location.
A1017	Telephone, Wall Mounted, Multi-Line, With Speaker	1	V V	Telephone, wall mounted, multi-line with speaker.
A1066	Mirror, Float Glass, With SS Frame	1	C C	A high quality 1/4" polished float glass mirror 36X18, framed in a one-piece, bright polished, stainless steel channel frame with 90° mitered corners. All edges of the mirror are protected by absorbing filler strips. Mirror has a galvanized steel back with integral horizontal hanging brackets and wall hanger for concealed mounting. For mounting above single wall mounted lavatories located in toilet areas, Doctors examination offices, etc. May also be used above double lavatories, either wall or countertop mounted, found in restroom areas.
A5075	Dispenser, Soap, Disposable	1	V V	Disposable soap dispenser. One-handed dispensing operation. Designed to accommodate disposable soap cartridge and valve.
A5077	Dispenser, Hand Sanitizer, Hands-Free	1	V V	A touch free wall-mounted hand sanitizer dispenser. For use throughout a healthcare facility. Unit does not include the sanitizing liquid. Units are battery operated.
A5082	Dispenser, Paper Towel, Sensor, Hands Free	1	C C	A surface mounted, sensor activated, automatic, roll paper towel dispenser. The unit dispenses a paper towel automatically only when hands are placed in position below the dispenser for maximum sanitation and hygiene. May include adjustable settings for sheet length, time delay, and sensor range. Unit is battery operated or with optional AC power adapter.
A5106	Waste Disposal Unit, Sharps w/Glove Dispenser	1	V V	The unit is designed for the disposal of sharps and complies with OSHA guidelines for the handling of sharps. It shall house a 5 quart container and be capable of being mounted on a wall. It shall have a glove dispenser attached. The unit shall be secured by a locked enclosure.
A5145	Hook, Garment, Double, SS, Surface Mounted	1	C C	A surface mounted, satin finish stainless steel, double garment hook. Equipped with a concealed mounting bracket that is secured to a concealed wall plate. For general purpose use throughout the facility to hang various items of apparel.
A5225	Bracket, Dual Computer Monitor, Desk-Mounted	1	V V	Desk-mounted bracket that supports two LCD computer monitors, or laptop and monitor configuration. Extends LCD's or laptop up to 25" with an adjustment range of 18". Desk clamp attaches to edge up to 2.6" thick. Maximum combined weight supported not to exceed 50 lbs.

**PRE-TESTING / INTAKE ROOM, OPHTHALMOLOGY (OPPT1)****Room Content List**

JSN	NAME	QTY	ACQ/INA	DESCRIPTION
A6046	Artwork, Decorative, With Frame	1	V V	Decorative Artwork. Final selection and location to be done at the project level.
E0204	Worksurface, w/Overhd Cab & Drwrs, Wall Mtd, 24" W	1	V V	Typically includes: 2 Vertical Hanging Strips 1 Lockable Flipper Unit 1 Shelf, Storage/Display 1 Light 1 Cantilevered Work Surface 2 Storage Frames 2 Drawers, 3"H 3 Drawers, 6"H
E0224	Worksurface, Computer, O/H Cab, Wall Mtd, 60" W	1	V V	Typically includes: 3 Vertical Hanging Strips 2 Lockable Flipper Units 2 Shelves, Storage/Display 2 Lights 1 Tack board 2 Tool Rails 2 Paper Trays 1 Diagonal Tray 1 Cantilevered Work Surface 1 Adjustable Keyboard Tray 1 Stationary Pedestal, Box/Box/File
F0205	Chair, Side With Arms	1	V V	Upholstered side chair, 32" high X 21" wide X 23" deep with arms, padded seats and padded backs. Seat height is a minimum of 17". Available with or without sled base.
F0340	Stool, Self Adjusting	1	V V	Self adjusting stool. Consists of a foam padded upholstered seat with attached foot rest for added comfort. Mounted on swivel casters. Designed for doctor's use during examinations.
F2010	Basket, Wastepaper, Step-On	1	V V	"Step-on" wastepaper basket with inner liner and foot pedal activated flip top.
F3200	Clock, Battery, 12" Diameter	1	V V	Clock, 12" diameter. Round surface, easy to read numbers with sweep second hand. Wall mounted unit for use when impractical to install a fully synchronized clock system. Battery operated, (batteries not included).
M1800	Flat Panel Monitor	1	V V	A flat panel display is a television, monitor or other display appliance that uses a thin panel design instead of a traditional cathode ray tube (CRT) design. These screens are much lighter and thinner, and can be much more portable than traditional televisions and monitors. They also have higher resolution than older models.

**PRE-TESTING / INTAKE ROOM, OPHTHALMOLOGY (OPPT1)****Room Content List**

JSN	NAME	QTY	ACQ/INA	DESCRIPTION
M1801	Computer, Microprocessing, w/Flat Panel Monitor	1	V V	Desk top microprocessing computer. The unit shall consist of a central processing mini tower, flat panel monitor, keyboard, mouse and speakers. The computer is used throughout the facility to input, manipulate and retrieve information.
M1825	Printer, Computer	1	V V	High resolution computer printer with a variety of type styles and sheet/envelope feeder trays. Database information reflects network ready, medium duty office style laser printers.
M5027	Table, Multiple Instrument, Ophthalmic	1	V V	A multiple instrument ophthalmic table. This table is designed to hold up to three ophthalmologic instruments allowing the patient to turn only slightly between them for testing. The table top is adjustable from approximately 26" to 38" and facilitates complete wheelchair accessibility to all instruments.
M5500	Autorefractor, Ophthalmic	1	V V	Ophthalmic autorefractor. Unit is a tabletop model consisting of a instant display TV monitor, forehead rest, measuring head, height adjustment ring, and joystick lever. It features an automatic fogging and a high speed printer. Designed for visual acuity screening.
M5520	Lensometer, Automatic	1	V V	Lensometer. Unit includes lamps, prism measuring lens marking device, cylinder axis wheel calibrated in two 180 degree segments and a green filter for tinted glass. The instrument may be inclined between 25 to 90 degrees. Used for measuring lens.
M5562	Tester, Visual Acuity, Video/Microprocessor Based	1	V V	Visual acuity tester using video (television monitor) and microprocessor technology. This equipment replaces the projector chart and projector in an eye examination lane. Wall bracing is required for mounting the unit directly to the wall without support from below. An optional floor stand can also be used. The unit requires an electrical outlet on the far end wall of the examination lane. This differs from standard eye examination room configurations which normally do not have electrical outlets in that wall. Other options include binocular vision and contrast sensitivity testing.

**PRE-TESTING / INTAKE ROOM, OPHTHALMOLOGY (OPPT1)****Room Content List**

JSN	NAME	QTY	ACQ/INA	DESCRIPTION
M5575	Tonometer, Noncontact	1	V V	Non-contact tonometer. Unit includes a built-in RX selector with four diopter corrections, air pulse button, head rest, and a digital display. Used for patient's eye observation, glaucoma screening, and other routine screening through a puff of air.
M6040	Pachymeter, Ultrasound, Corneal	1	V V	Ultrasonic Pachymeter for measuring corneal thickness.
M6045	Corneal Topography Unit	1	V V	Computerized corneal mapping system for pre- and post- surgical diagnosis of astigmatism, refractive error, irregularly shaped corneas and other eye conditions. The unit performs analysis of 5,000 - 6,000 different points on a ring pattern reflected from the patient's cornea to quantify the curvature and contours of the corneal surface.
P3200	Lavatory, Vitreous China, Slab Type w/ Sens Op Fauc	1	C C	Wall mounted, slab type, vitreous china, lavatory (approximately 7 x 15 x 10 inches) with faucet holes on 4 inch centers; electronic sensor operated, goose neck spout and grid strainer. It shall be suitable for use in clinics, offices and patient care areas.
UXXX2 M5599	Phoropter	1	V V	Optical instrument used to test individual lenses on each eye to determine whether a vision problem like nearsightedness, farsightedness or astigmatism is present in a patient's eye during an exam. Patient's vision is tested through multiple lenses to determine correct vision for each eye by reading the Snellen eye chart.
UXXX3 A5048	Safe, Medication	1	V V	A wall-mounted 1.2 cu.ft. all steel safe with electronic lock, used for the secure storage of medications needed during patient examination / treatment.
UXXX5 M5525	Lensometer, Manual	1	V V	Manual Lensometer. Unit includes lamps, prism measuring lens marking device, cylinder axis wheel calibrated in two 180 degree segments and a green filter for tinted glass. The instrument may be inclined between 25 to 90 degrees. Used for measuring lens.

**PRE-TESTING / INTAKE ROOM, OPTOMETRY (OPPT2)****Room Content List**

JSN	NAME	QTY	ACQ/INA	DESCRIPTION
A1010	Telecommunication Outlet	2	V V	Telecommunication outlet location.
A1017	Telephone, Wall Mounted, Multi-Line, With Speaker	1	V V	Telephone, wall mounted, multi-line with speaker.
A1066	Mirror, Float Glass, With SS Frame	1	C C	A high quality 1/4" polished float glass mirror 36X18, framed in a one-piece, bright polished, stainless steel channel frame with 90° mitered corners. All edges of the mirror are protected by absorbing filler strips. Mirror has a galvanized steel back with integral horizontal hanging brackets and wall hanger for concealed mounting. For mounting above single wall mounted lavatories located in toilet areas, Doctors examination offices, etc. May also be used above double lavatories, either wall or countertop mounted, found in restroom areas.
A5075	Dispenser, Soap, Disposable	1	V V	Disposable soap dispenser. One-handed dispensing operation. Designed to accommodate disposable soap cartridge and valve.
A5077	Dispenser, Hand Sanitizer, Hands-Free	1	V V	A touch free wall-mounted hand sanitizer dispenser. For use throughout a healthcare facility. Unit does not include the sanitizing liquid. Units are battery operated.
A5082	Dispenser, Paper Towel, Sensor, Hands Free	1	C C	A surface mounted, sensor activated, automatic, roll paper towel dispenser. The unit dispenses a paper towel automatically only when hands are placed in position below the dispenser for maximum sanitation and hygiene. May include adjustable settings for sheet length, time delay, and sensor range. Unit is battery operated or with optional AC power adapter.
A5106	Waste Disposal Unit, Sharps w/Glove Dispenser	1	V V	The unit is designed for the disposal of sharps and complies with OSHA guidelines for the handling of sharps. It shall house a 5 quart container and be capable of being mounted on a wall. It shall have a glove dispenser attached. The unit shall be secured by a locked enclosure.
A5145	Hook, Garment, Double, SS, Surface Mounted	1	C C	A surface mounted, satin finish stainless steel, double garment hook. Equipped with a concealed mounting bracket that is secured to a concealed wall plate. For general purpose use throughout the facility to hang various items of apparel.

**PRE-TESTING / INTAKE ROOM, OPTOMETRY (OPPT2)****Room Content List**

JSN	NAME	QTY	ACQ/INA	DESCRIPTION
A5225	Bracket, Dual Computer Monitor, Desk-Mounted	1	V V	Desk-mounted bracket that supports two LCD computer monitors, or laptop and monitor configuration. Extends LCD's or laptop up to 25" with an adjustment range of 18". Desk clamp attaches to edge up to 2.6" thick. Maximum combined weight supported not to exceed 50 lbs.
M5562	Tester, Visual Acuity, Video/Microprocessor Based	1	V V	Visual acuity tester using video (television monitor) and microprocessor technology. This equipment replaces the projector chart and projector in an eye examination lane. Wall bracing is required for mounting the unit directly to the wall without support from below. An optional floor stand can also be used. The unit requires an electrical outlet on the far end wall of the examination lane. This differs from standard eye examination room configurations which normally do not have electrical outlets in that wall. Other options include binocular vision and contrast sensitivity testing.
A6046	Artwork, Decorative, With Frame	1	V V	Decorative Artwork. Final selection and location to be done at the project level.
E0204	Worksurface, w/Overhd Cab & Drwrs, Wall Mtd, 24" W	1	V V	Typically includes: 2 Vertical Hanging Strips 1 Lockable Flipper Unit 1 Shelf, Storage/Display 1 Light 1 Cantilevered Work Surface 2 Storage Frames 2 Drawers, 3"H 3 Drawers, 6"H
E0224	Worksurface, Computer, O/H Cab, Wall Mtd, 60" W	1	V V	Typically includes: 3 Vertical Hanging Strips 2 Lockable Flipper Units 2 Shelves, Storage/Display 2 Lights 1 Tack board 2 Tool Rails 2 Paper Trays 1 Diagonal Tray 1 Cantilevered Work Surface 1 Adjustable Keyboard Tray 1 Stationary Pedestal, Box/Box/File
F0205	Chair, Side With Arms	1	V V	Upholstered side chair, 32" high X 21" wide X 23" deep with arms, padded seats and padded backs. Seat height is a minimum of 17". Available with or without sled base.



**PRE-TESTING / INTAKE ROOM, OPTOMETRY (OPPT2)****Room Content List**

JSN	NAME	QTY	ACQ/INA	DESCRIPTION
F0340	Stool, Self Adjusting	1	V V	Self adjusting stool. Consists of a foam padded upholstered seat with attached foot rest for added comfort. Mounted on swivel casters. Designed for doctor's use during examinations.
F2010	Basket, Wastepaper, Step-On	1	V V	"Step-on" wastepaper basket with inner liner and foot pedal activated flip top.
F3200	Clock, Battery, 12" Diameter	1	V V	Clock, 12" diameter. Round surface, easy to read numbers with sweep second hand. Wall mounted unit for use when impractical to install a fully synchronized clock system. Battery operated, (batteries not included).
M1800	Flat Panel Monitor	1	V V	A flat panel display is a television, monitor or other display appliance that uses a thin panel design instead of a traditional cathode ray tube (CRT) design. These screens are much lighter and thinner, and can be much more portable than traditional televisions and monitors. They also have higher resolution than older models.
M1801	Computer, Microprocessing, w/Flat Panel Monitor	1	V V	Desk top microprocessing computer. The unit shall consist of a central processing mini tower, flat panel monitor, keyboard, mouse and speakers. The computer is used throughout the facility to input, manipulate and retrieve information.
M1825	Printer, Computer	1	V V	High resolution computer printer with a variety of type styles and sheet/envelope feeder trays. Database information reflects network ready, medium duty office style laser printers.
M5027	Table, Multiple Instrument, Ophthalmic	1	V V	A multiple instrument ophthalmic table. This table is designed to hold up to three ophthalmologic instruments allowing the patient to turn only slightly between them for testing. The table top is adjustable from approximately 26" to 38" and facilitates complete wheelchair accessibility to all instruments.
M5500	Autorefractor, Ophthalmic	1	V V	Ophthalmic autorefractor. Unit is a tabletop model consisting of a instant display TV monitor, forehead rest, measuring head, height adjustment ring, and joystick lever. It features an automatic fogging and a high speed printer. Designed for visual acuity screening.

**PRE-TESTING / INTAKE ROOM, OPTOMETRY (OPPT2)****Room Content List**

JSN	NAME	QTY	ACQ/INA	DESCRIPTION
M5520	Lensometer, Automatic	1	V V	Automatic Lensometer. Unit includes lamps, prism measuring lens marking device, cylinder axis wheel calibrated in two 180 degree segments and a green filter for tinted glass. The instrument may be inclined between 25 to 90 degrees. Used for measuring lens.
M5575	Tonometer, Noncontact	1	V V	Non-contact tonometer. Unit includes a built-in RX selector with four diopter corrections, air pulse button, head rest, and a digital display. Used for patient's eye observation, glaucoma screening, and other routine screening through a puff of air.
M6040	Pachymeter, Ultrasound, Corneal	1	V V	Ultrasonic Pachymeter for measuring corneal thickness.
M6045	Corneal Topography Unit	1	V V	Computerized corneal mapping system for pre- and post- surgical diagnosis of astigmatism, refractive error, irregularly shaped corneas and other eye conditions. The unit performs analysis of 5,000 - 6,000 different points on a ring pattern reflected from the patient's cornea to quantify the curvature and contours of the corneal surface.
P3200	Lavatory, Vitreous China, Slab Type w/ Sens Op Fauc	1	C C	Wall mounted, slab type, vitreous china, lavatory (approximately 7 x 15 x 10 inches) with faucet holes on 4 inch centers; electronic sensor operated, goose neck spout and grid strainer. It shall be suitable for use in clinics, offices and patient care areas.
UXXX3 A5048	Safe, Medication	1	V V	A wall-mounted 1.2 cu.ft. all steel safe with electronic lock, used for the secure storage of medications needed during patient examination / treatment.
UXXX5 M5525	Lensometer, Manual	1	V V	Manual Lensometer. Unit includes lamps, prism measuring lens marking device, cylinder axis wheel calibrated in two 180 degree segments and a green filter for tinted glass. The instrument may be inclined between 25 to 90 degrees. Used for measuring lens.

**PRE-TESTING / INTAKE ROOM, OPHTHALMOLOGY (OPPT1)**  
**PRE-TESTING / INTAKE ROOM, OPTOMETRY (OPPT2)**  
**Room Data Sheet**

**ARCHITECTURAL**

Ceiling:	AT
Ceiling Height:	9'-0"
Wall Finish:	Paint
Base:	RB
Floor Finish:	LVT
Door:	
Hardware	1L

**Glazing:**

**LIGHTING**

Maintained Average Illumination-Ambient:	500 Lux (50 FC)
Maintained Average Illumination-Examination of Outer Eye:	1000 Lux (100 FC)
Maintained Average Illumination-Reading & Color Vision Test:	500 Lux (50 FC)

- General:**
- Dimmable 2' x 4' Fluorescent or LED Light Fixture. See Lighting Manual for illumination, color temperature, and color rendering levels .
  - Dimmable Fluorescent or LED can light. Provide switching and dimming to provide various light levels.

**POWER**

**Normal Power:** To be connected to selected receptacles and equipment as shown.

**Emergency Power:** As determined by the Facility.

- Notes:**
- Emergency Power shown is minimum. Exact number of emergency power receptacles and equipment connections to be determined on a project specific basis.
  - Coordinate electrical requirements with specific equipment.

**COMMUNICATIONS/SPECIAL SYSTEMS**

Data:	Yes
Telephone:	Yes
Cable Television:	No
Duress Alarm	No
Electronic Access and Door Control:	No
Intercom:	No
Motion Intrusion Detection (MID):	No
Nurse Call:	No
Code Blue:	No
Public Address:	No
Security Surveillance Television (SSTV):	No
VA Satellite TV:	No
Video Teleconferencing (VTEL):	No
Battery Operated Clock	Yes
In Use Light:	No

**HEATING, VENTILATING AND AIR CONDITIONING**

Dry Bulb Temp Cooling:	Refer to HVAC Design Manual
Dry Bulb Temp Heating:	Refer to HVAC Design Manual
Minimum % Outside Air:	Refer to HVAC Design Manual
100% Exhaust Air:	N/A
Noise Criteria:	Refer to HVAC Design Manual
Steam:	N/A
Relative Humidity/Cooling:	Refer to HVAC Design Manual
Relative Humidity/Heating:	Refer to HVAC Design Manual
Minimum Air Changes/Hr.:	Refer to HVAC Design Manual
Room Pressure:	Refer to HVAC Design Manual
AC Load Lights:	As Required
AC Load Equipment:	As Required
Number of People:	2
Special Equipment:	N/A

**PLUMBING AND MEDICAL GASES**

Cold Water:	Yes
Hot Water:	Yes
Laboratory Air:	No
Laboratory Vacuum:	No
Sanitary/Vent:	Yes
Medical Air:	No
Medical Vacuum:	No
Oxygen:	No
Nitrogen Oxide:	No
Nitrogen	No
Anesthesia Evac:	No
Sprinkler:	Yes
Tempered Water:	No
Water Control:	No

**SPECIAL EQUIPMENT**

See Room Content List

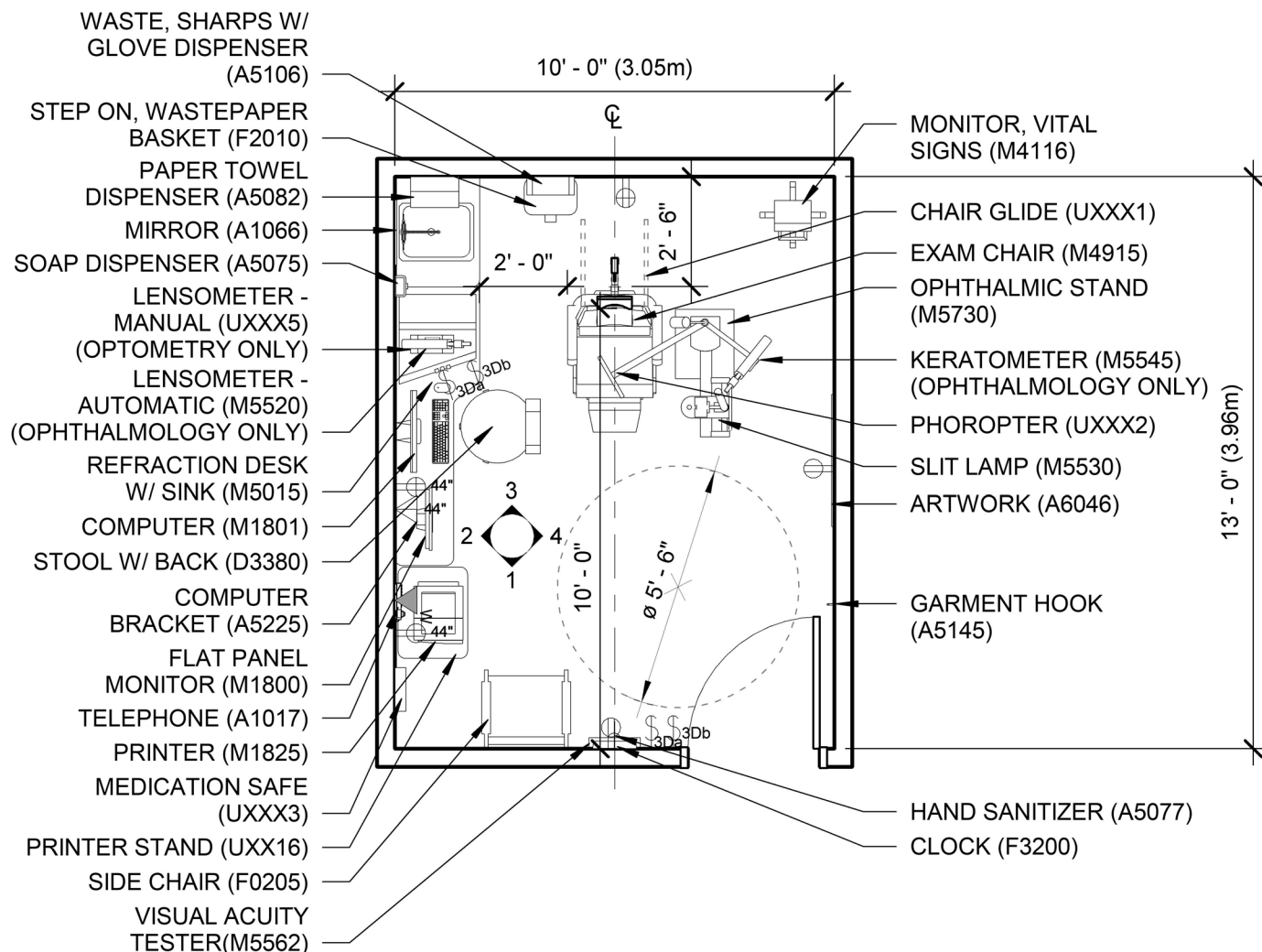
THIS PAGE INTENTIONALLY LEFT BLANK



EXAM / TREATMENT ROOM, OPHTHALMOLOGY (OPET1)  
EXAM / TREATMENT ROOM, OPTOMETRY (OPET2)

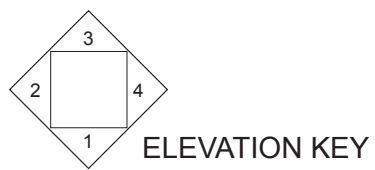
NOTE: Design Plates are graphical representations of selected room types, illustrating the integration of space, components, systems, and equipment. They provide typical configurations and general technical guidance, and are not intended to be project specific. Specific infrastructure design requirements are contained in VA Design Manuals and Space Planning Criteria located in the VA Technical Information Library.

THIS PAGE INTENTIONALLY LEFT BLANK



NOTE: THE FOLLOWING SMALL, HAND-HELD EQUIPMENT ITEMS ARE NOT SHOWN ON THE DESIGN PLATE:

- OPHTHALMOSCOPE, BINOCULAR, INDIRECT (M5535)
- OPHTHALMOSCOPE, DIRECT (M5536)
- RETINOSCOPE, STREAK (M5605)
- FRAME SET, LENS ((M5700)
- GAUGE, DISTANCE, PUPILLARY (M5700)
- PACHYETER, ULTRASOUND, CORNEAL (M6040)



SCALE 1/4" = 1'-0"

EXAM / TREATMENT ROOM, OPHTHALMOLOGY (OPET1)  
 EXAM / TREATMENT ROOM, OPTOMETRY (OPET2)

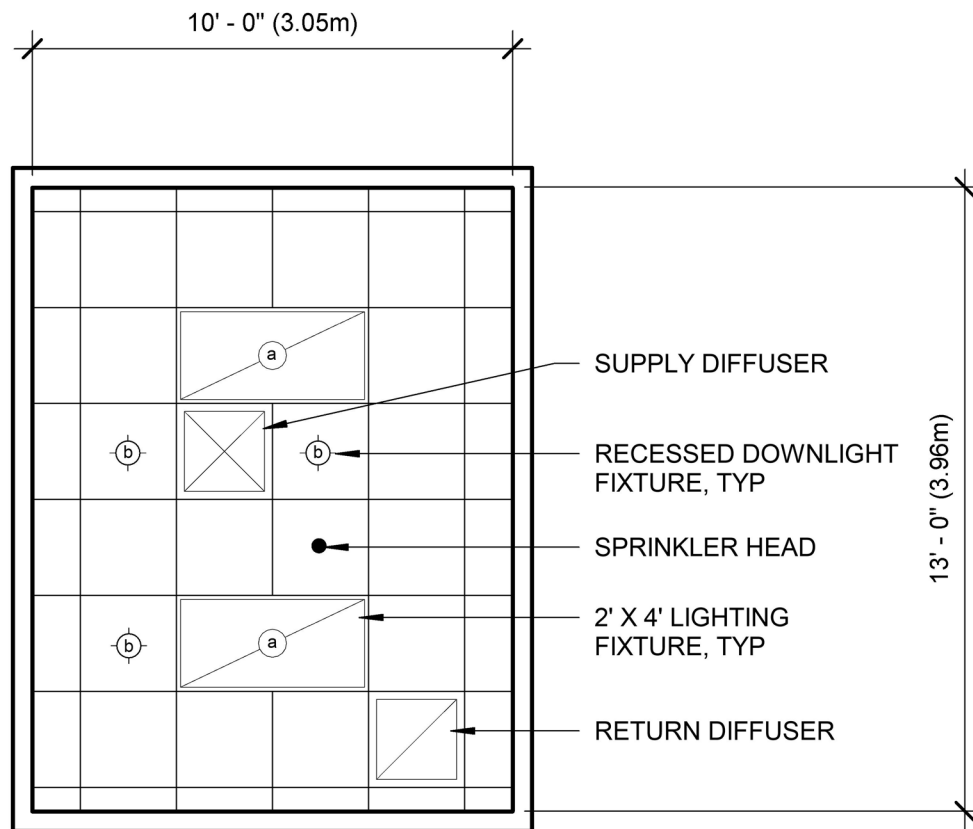


Floor/Equipment Plan (130 NSF / 12.1 NSM)

NOTE: Design Plates are graphical representations of selected room types, illustrating the integration of space, components, systems, and equipment. They provide typical configurations and general technical guidance, and are not intended to be project specific. Specific infrastructure design requirements are contained in VA Design Manuals and Space Planning Criteria located in the VA Technical Information Library.

THIS PAGE INTENTIONALLY LEFT BLANK





EXAM / TREATMENT ROOM, OPHTHALMOLOGY (OPET1)  
 EXAM / TREATMENT ROOM, OPTOMETRY (OPET2)

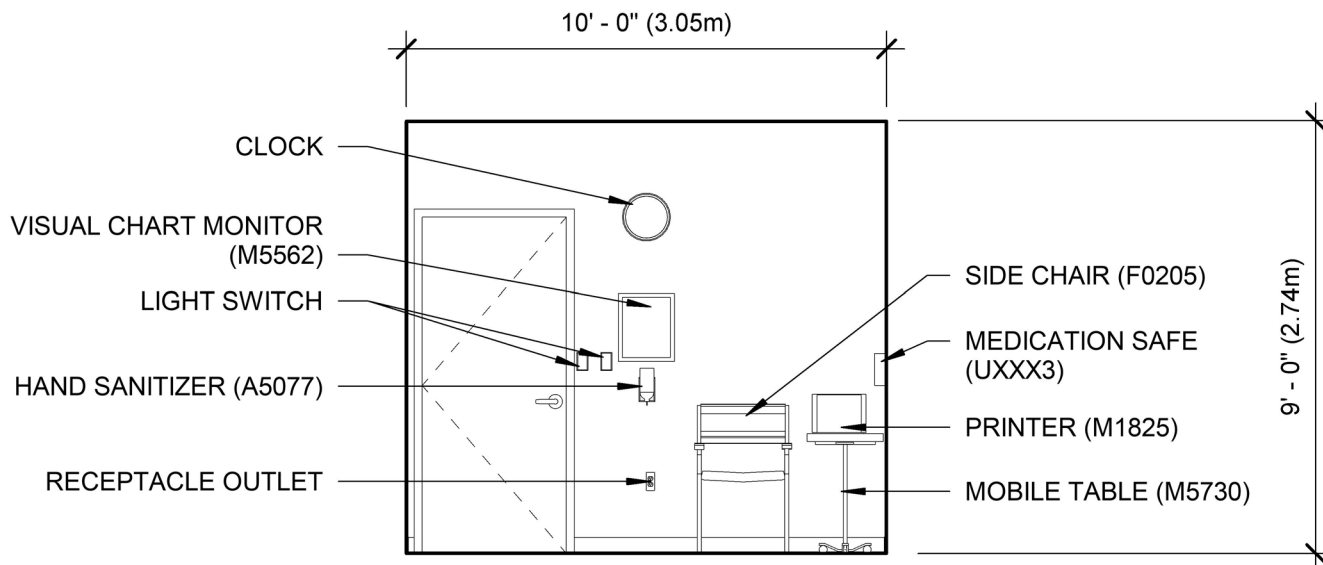
SCALE 1/4" = 1'-0"



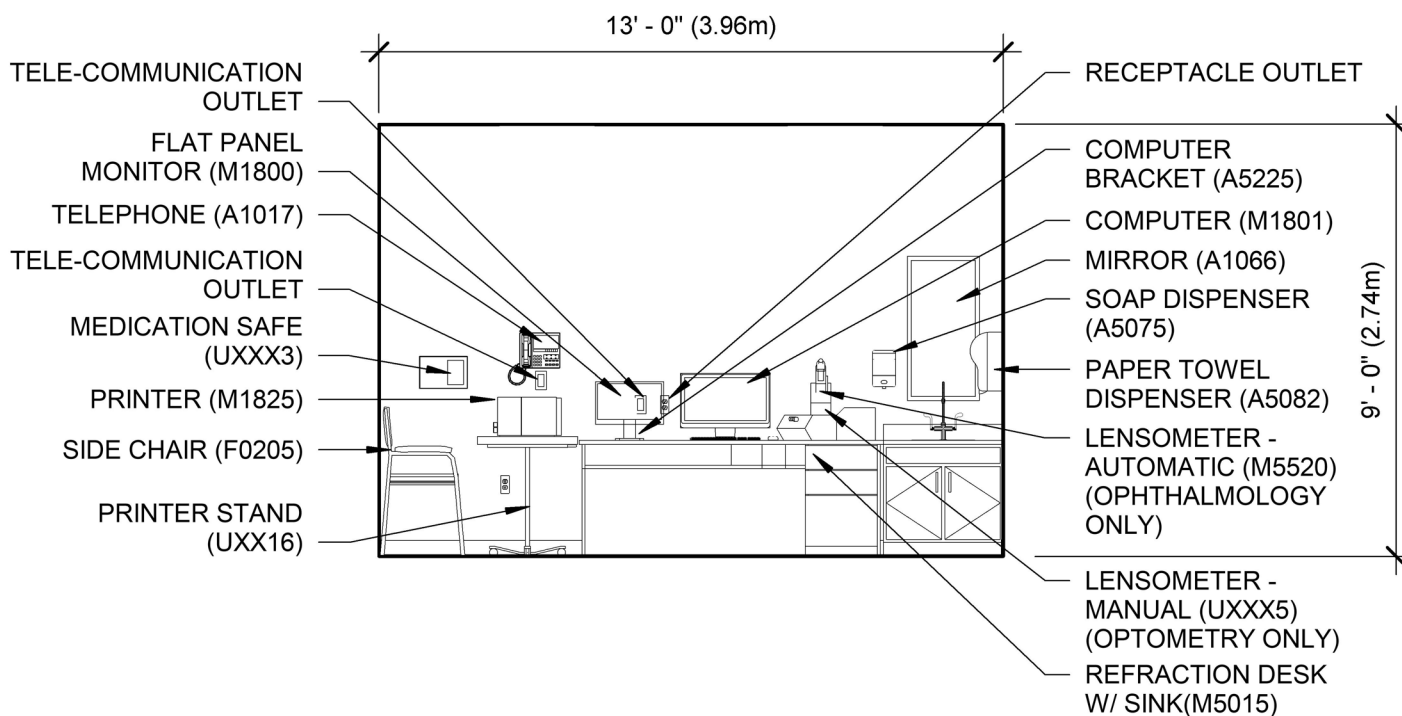
Reflected Ceiling Plan

NOTE: Design Plates are graphical representations of selected room types, illustrating the integration of space, components, systems, and equipment. They provide typical configurations and general technical guidance, and are not intended to be project specific. Specific infrastructure design requirements are contained in VA Design Manuals and Space Planning Criteria located in the VA Technical Information Library.

THIS PAGE INTENTIONALLY LEFT BLANK



**Elevation 1**



EXAM / TREATMENT ROOM, OPHTHALMOLOGY (OPET1)  
EXAM / TREATMENT ROOM, OPTOMETRY (OPET2)

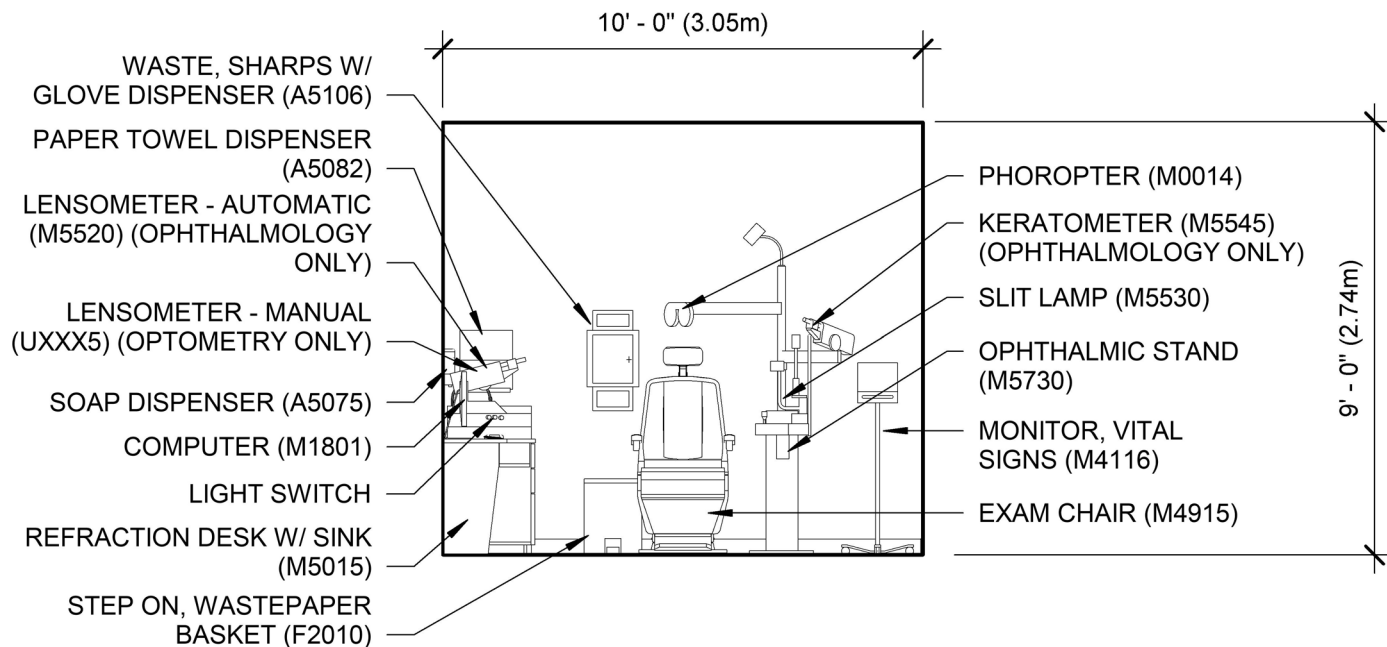
SCALE 1/4" = 1'-0"



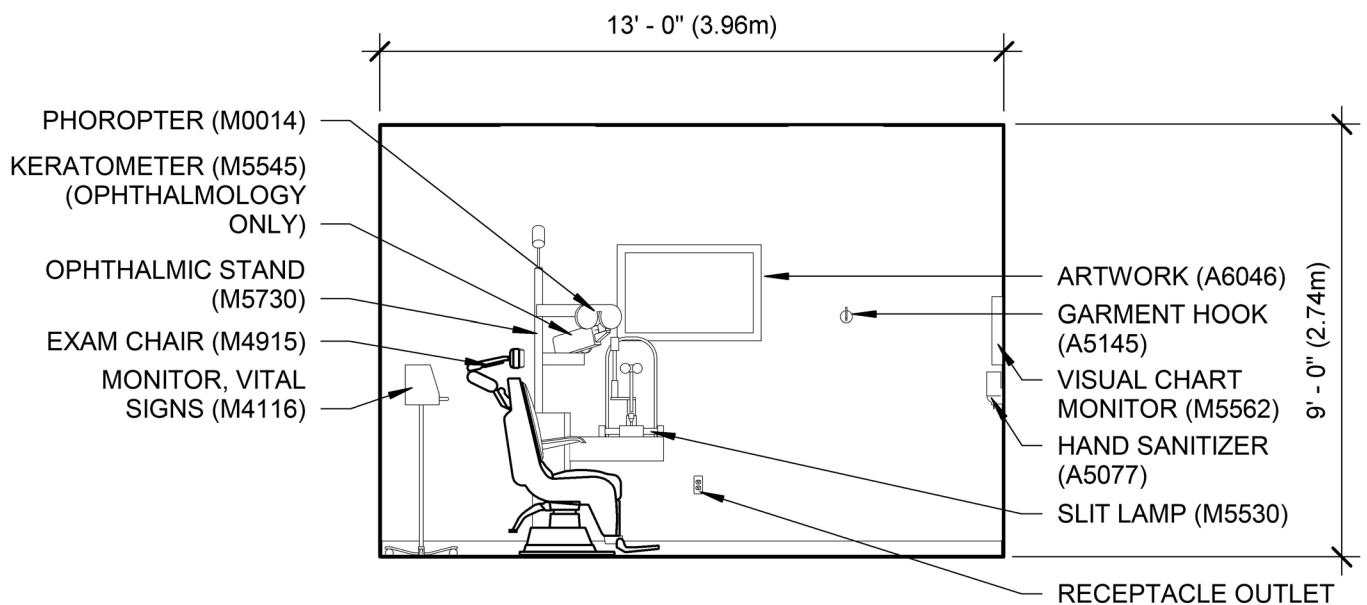
ELEVATIONS

NOTE: Design Plates are graphical representations of selected room types, illustrating the integration of space, components, systems, and equipment. They provide typical configurations and general technical guidance, and are not intended to be project specific. Specific infrastructure design requirements are contained in VA Design Manuals and Space Planning Criteria located in the VA Technical Information Library.

THIS PAGE INTENTIONALLY LEFT BLANK



Elevation 3



Elevation 4

EXAM / TREATMENT ROOM, OPHTHALMOLOGY (OPET1)  
 EXAM / TREATMENT ROOM, OPTOMETRY (OPET2)

SCALE 1/4" = 1'-0"



ELEVATIONS

NOTE: Design Plates are graphical representations of selected room types, illustrating the integration of space, components, systems, and equipment. They provide typical configurations and general technical guidance, and are not intended to be project specific. Specific infrastructure design requirements are contained in VA Design Manuals and Space Planning Criteria located in the VA Technical Information Library.

THIS PAGE INTENTIONALLY LEFT BLANK

**EXAM / TREATMENT ROOM, OPHTHALMOLOGY (OPET1)****Room Content List**

JSN	NAME	QTY	ACQ/INA	DESCRIPTION
A1010	Telecommunication Outlet	2	V V	Telecommunication outlet location.
A1017	Telephone, Wall Mounted, Multi-Line, With Speaker	1	V V	Telephone, wall mounted, multi-line with speaker.
A1066	Mirror, Float Glass, With SS Frame	1	C C	A high quality 1/4" polished float glass mirror 36X18, framed in a one-piece, bright polished, stainless steel channel frame with 90° mitered corners. All edges of the mirror are protected by absorbing filler strips. Mirror has a galvanized steel back with integral horizontal hanging brackets and wall hanger for concealed mounting. For mounting above single wall mounted lavatories located in toilet areas, Doctors examination offices, etc. May also be used above double lavatories, either wall or countertop mounted, found in restroom areas.
A5075	Dispenser, Soap, Disposable	1	V V	Disposable soap dispenser. One-handed dispensing operation. Designed to accommodate disposable soap cartridge and valve.
A5077	Dispenser, Hand Sanitizer, Hands-Free	1	V V	A touch free wall-mounted hand sanitizer dispenser. For use throughout a healthcare facility. Unit does not include the sanitizing liquid. Units are battery operated.
A5082	Dispenser, Paper Towel, Sensor, Hands Free	1	C C	A surface mounted, sensor activated, automatic, roll paper towel dispenser. The unit dispenses a paper towel automatically only when hands are placed in position below the dispenser for maximum sanitation and hygiene. May include adjustable settings for sheet length, time delay, and sensor range. Unit is battery operated or with optional AC power adapter.
A5106	Waste Disposal Unit, Sharps w/Glove Dispenser	1	V V	The unit is designed for the disposal of sharps and complies with OSHA guidelines for the handling of sharps. It shall house a 5 quart container and be capable of being mounted on a wall. It shall have a glove dispenser attached. The unit shall be secured by a locked enclosure.
A5145	Hook, Garment, Double, SS, Surface Mounted	1	C C	A surface mounted, satin finish stainless steel, double garment hook. Equipped with a concealed mounting bracket that is secured to a concealed wall plate. For general purpose use throughout the facility to hang various items of apparel.

**EXAM / TREATMENT ROOM, OPHTHALMOLOGY (OPET1)****Room Content List**

JSN	NAME	QTY	ACQ/INA	DESCRIPTION
A5225	Bracket, Dual Computer Monitor	1	V V	Desk-mounted bracket that supports two LCD computer monitors, or laptop and monitor configuration. Extends LCD's or labtop up to 25" with an adjustment range of 18". Desk clamp attaches to edge up to 2.6" thick. Maximum combined weight supported not to exceed 50 lbs.
A6046	Artwork, Decorative, With Frame	1	V V	Decorative Artwork. Final selection and location to be done at the project level.
F0205	Chair, Side With Arms	1	V V	Upholstered side chair, 32" high X 21" wide X 23" deep with arms, padded seats and padded backs. Seat height is a minimum of 17". Available with or without sled base.
F2010	Basket, Wastepaper, Step-On	1	V V	"Step-on" wastepaper basket with inner liner and foot pedal activated flip top.
F3200	Clock, Battery, 12" Diameter	1	V V	Clock, 12" diameter. Round surface, easy to read numbers with sweep second hand. Wall mounted unit for use when impractical to install a fully synchronized clock system. Battery operated, (batteries not included).
M1800	Flat Panel Monitor	1	V V	A flat panel display is a television, monitor or other display appliance that uses a thin panel design instead of a traditional cathode ray tube (CRT) design. These screens are much lighter and thinner, and can be much more portable than traditional televisions and monitors. They also have higher resolution than older models.
M1801	Computer, Microprocessing, w/Flat Panel Monitor	1	V V	Desk top microprocessing computer. The unit shall consist of a central processing mini tower, flat panel monitor, keyboard, mouse and speakers. The computer is used throughout the facility to input, manipulate and retrieve information.
M1825	Printer, Computer	1	V V	High resolution computer printer with a variety of type styles and sheet/envelope feeder trays. Database information reflects network ready, medium duty office style laser printers.
M4116	Monitor, Vital Signs	1	V V	Electronic sphygmomanometer. LCD displays non-invasive blood pressure, pulse rate and temperature. Used in hospitals and clinics. Includes an optional mobile stand.



**EXAM / TREATMENT ROOM, OPHTHALMOLOGY (OPET1)****Room Content List**

JSN	NAME	QTY	ACQ/INA	DESCRIPTION
M4915	Chair, Exam/Treatment, ENT	1	V V	ENT exam/treatment chair with adjustable light. Chair can be rotated 330 degrees locking at desired position. Unit is electrically powered for precise positioning and has an adjustable headrest and armrest. Unit is designed for use during examinations, treatments, and minor procedures.
M5015	Desk, Refraction, w/Sink	1	VC	Refraction desk. This unit has a plastic laminated finish, one trail drawer with full suspension, and three storage electrical drawers with single door. It has a five switch control panel for interior room illustration muscle light, OPH project, lens-o-meter, and option for additional accessories, cameo with single bowl sink, and gooseneck faucet with wrist blade controls. This item may include an optional equipment stand/pole with one to three arms and the ability to accept a phoropter arm. The unit is used during eye examinations in ophthalmicclinics and hospitals. This unit requires special electrical hookup.
M5520	Lensometer, Automatic	1	V V	Lensometer. Unit includes lamps, prism measuring lens marking device, cylinder axis wheel calibrated in two 180 degree segments and a green filter for tinted glass. The instrument may be inclined between 25 to 90 degrees. Used for measuring lens.
M5530	Lamp, Slit, w/Appplanation Tonometer	1	V V	Slit lamp with applanation tonometer. Unit consists of a base mounted ophthalmological slit lamp with head and chin rest and manual height and focusing adjustments. The instrument features a microscope head with parallel optics that will accept an applanation tonometer. Designed for use in ophthalmology during diagnostic examinations.
M5535	Ophthalmoscope, Binocular, Indirect	1	V V	Binocular indirect ophthalmoscope. Unit consists of headband and crown, halogen quartz lamp, multi-coated aspherical lenses, scleral depressor and mirror. It also includes a control switch that regulates the illumination from 2 to 6 volts. Used to examine presence of blood vessels in patient's pupils.
M5536	Ophthalmoscope, Direct	1	V V	The Direct Ophthalmoscope shall be an instrument for examining the back portion of the interior of the eyeball and produces an un-reversed image. The unit shall consist of a head, a rechargeable handle, 3.5 v long-life battery and a case.

**EXAM / TREATMENT ROOM, OPHTHALMOLOGY (OPET1)****Room Content List**

JSN	NAME	QTY	ACQ/INA	DESCRIPTION
M5545	Ophthalmometer/Keratometer	1	V V	Keratometer/ophthalmometer. Unit features a focusing system, engraved focusing scale, positive fixation for rapid measurements, center and peripheral corneal measurements scale with a range from 30D to 60D. Unit is used for measuring corneal astigmatism.
M5562	Tester, Visual Acuity, Video/ Microprocessor Based	1	V V	Visual acuity tester using video (television monitor) and microprocessor technology. This equipment replaces the projector chart and projector in an eye examination lane. Wall bracing is required for mounting the unit directly to the wall without support from below. An optional floor stand can also be used. The unit requires an electrical outlet on the far end wall of the examination lane. This differs from standard eye examination room configurations which normally do not have electrical outlets in that wall. Other options include binocular vision and contrast sensitivity testing.
M5605	Retinoscope, Streak	1	V V	Streak retinoscope. Lightweight instrument with interchangeable heads, rechargeable battery handle, mirror, forehead rest and one halogen lamp. Continuous 360-degree streak rotation.
M5700	Frame Set, Lens, Trial	1	V V	Trial lens frame set. Set consists of light weight and color-coded marked lenses, holding tray, and a complete assortment of other accessories. It is used to determine visual acuity. Set features horizontal and vertical bridge adjustments with individual adjustments for temple length and angle.
M5705	Gauge, Distance, Pupillary	1	V V	Pupillary distance gauge. Unit is electronic and features corneal reflection, LCD display, 0.5mm measurement increments, and measure fixation PD distance to 30 cm from infinity. Unit runs on battery power and is designed to measure the distance between pupils as well as corneal and pupil diameter.
M5730	Stand, Instrument, Ophthalmic	1	V V	Ophthalmic instrument stand. Unit provides power supply for hand-held instruments, mounting post for phoropter, and mounting post and arm for slit lamp table adjacent to the ophthalmic exam chair. Used in the eye exam room.
M6040	Pachymeter, Ultrasound, Corneal	1	V V	Ultrasonic Pachymeter for measuring corneal thickness.

**EXAM / TREATMENT ROOM, OPHTHALMOLOGY (OPET1)****Room Content List**

JSN	NAME	QTY	ACQ/INA	DESCRIPTION
UXXX1 M5601	Chair Glide	1	V V	The Chair Glide, also known as Chair Mover, allows the existing patient chair to slide back to accommodate wheel chair patients. With built in track guides it prevents lateral movement when gliding the chair back and forth.
UXXX2 M5599	Phoropter	1	V V	Optical instrument used to test individual lenses on each eye to determine whether a vision problem like nearsightedness, farsightedness or astigmatism is present in a patient's eye during an exam. Patient's vision is tested through multiple lenses to determine correct vision for each eye by reading the Snellen eye chart.
UXXX3 A5048	Safe, Medication	1	V V	A wall-mounted 1.2 cu.ft. all steel safe with electronic lock, used for the secure storage of medications needed during patient examination / treatment.
UXX16 F0836	Printer Stand, Mobile	1	V V	Stand features laminate top with one adjustable shelf, file holder, holds up to 200 lbs. 26"H, 26"W, 20"D
UXX17 D3380	Stool with back	1	V V	Pneumatic height adjusting stool with adjusting back rest, adjustment range 19-1/4" to 23-3/4" height; 14-1/2" dia., fully padded seat and back. Mounted in 2" dual-swivel casters.

THIS PAGE INTENTIONALLY LEFT BLANK

**EXAM / TREATMENT ROOM, OPTOMETRY (OPET2)****Room Content List**

JSN	NAME	QTY	ACQ/INA	DESCRIPTION
A1010	Telecommunication Outlet	2	V V	Telecommunication outlet location.
A1017	Telephone, Wall Mounted, Multi-Line, With Speaker	1	V V	Telephone, wall mounted, multi-line with speaker.
A1066	Mirror, Float Glass, With SS Frame	1	C C	A high quality 1/4" polished float glass mirror 36X18, framed in a one-piece, bright polished, stainless steel channel frame with 90° mitered corners. All edges of the mirror are protected by absorbing filler strips. Mirror has a galvanized steel back with integral horizontal hanging brackets and wall hanger for concealed mounting. For mounting above single wall mounted lavatories located in toilet areas, Doctors examination offices, etc. May also be used above double lavatories, either wall or countertop mounted, found in restroom areas.
A5075	Dispenser, Soap, Disposable	1	V V	Disposable soap dispenser. One-handed dispensing operation. Designed to accommodate disposable soap cartridge and valve.
A5077	Dispenser, Hand Sanitizer, Hands-Free	1	V V	A touch free wall-mounted hand sanitizer dispenser. For use throughout a healthcare facility. Unit does not include the sanitizing liquid. Units are battery operated.
A5082	Dispenser, Paper Towel, Sensor, Hands Free	1	C C	A surface mounted, sensor activated, automatic, roll paper towel dispenser. The unit dispenses a paper towel automatically only when hands are placed in position below the dispenser for maximum sanitation and hygiene. May include adjustable settings for sheet length, time delay, and sensor range. Unit is battery operated or with optional AC power adapter.
A5106	Waste Disposal Unit, Sharps w/Glove Dispenser	1	V V	The unit is designed for the disposal of sharps and complies with OSHA guidelines for the handling of sharps. It shall house a 5 quart container and be capable of being mounted on a wall. It shall have a glove dispenser attached. The unit shall be secured by a locked enclosure.
A5145	Hook, Garment, Double, SS, Surface Mounted	1	C C	A surface mounted, satin finish stainless steel, double garment hook. Equipped with a concealed mounting bracket that is secured to a concealed wall plate. For general purpose use throughout the facility to hang various items of apparel.

**EXAM / TREATMENT ROOM, OPTOMETRY (OPET2)****Room Content List**

JSN	NAME	QTY	ACQ/INA	DESCRIPTION
A5225	Bracket, Dual Computer Monitor	1	V V	Desk-mounted bracket that supports two LCD computer monitors, or laptop and monitor configuration. Extends LCD's or laptop up to 25" with an adjustment range of 18". Desk clamp attaches to edge up to 2.6" thick. Maximum combined weight supported not to exceed 50 lbs.
A6046	Artwork, Decorative, With Frame	1	V V	Decorative Artwork. Final selection and location to be done at the project level.
F0205	Chair, Side With Arms	1	V V	Upholstered side chair, 32" high X 21" wide X 23" deep with arms, padded seats and padded backs. Seat height is a minimum of 17". Available with or without sled base.
F0340	Stool, Self Adjusting	1	V V	Self adjusting stool. Consists of a foam padded upholstered seat with attached foot rest for added comfort. Mounted on swivel casters. Designed for doctor's use during examinations.
F2010	Basket, Wastepaper, Step-On	1	V V	"Step-on" wastepaper basket with inner liner and foot pedal activated flip top.
F3200	Clock, Battery, 12" Diameter	1	V V	Clock, 12" diameter. Round surface, easy to read numbers with sweep second hand. Wall mounted unit for use when impractical to install a fully synchronized clock system. Battery operated, (batteries not included).
M1800	Flat Panel Monitor	1	V V	A flat panel display is a television, monitor or other display appliance that uses a thin panel design instead of a traditional cathode ray tube (CRT) design. These screens are much lighter and thinner, and can be much more portable than traditional televisions and monitors. They also have higher resolution than older models.
M1801	Computer, Microprocessing, w/Flat Panel Monitor	1	V V	Desk top microprocessing computer. The unit shall consist of a central processing mini tower, flat panel monitor, keyboard, mouse and speakers. The computer is used throughout the facility to input, manipulate and retrieve information.
M1825	Printer, Computer	1	V V	High resolution computer printer with a variety of type styles and sheet/envelope feeder trays. Database information reflects network ready, medium duty office style laser printers.
M4116	Monitor, Vital Signs	1	V V	Electronic sphygmomanometer. LCD displays non-invasive blood pressure, pulse rate and temperature. Used in hospitals and clinics. Includes an optional mobile stand.

**EXAM / TREATMENT ROOM, OPTOMETRY (OPET2)****Room Content List**

JSN	NAME	QTY	ACQ/INA	DESCRIPTION
M4915	Chair, Exam/Treatment, ENT	1	V V	ENT exam/treatment chair with adjustable light. Chair can be rotated 330 degrees locking at desired position. Unit is electrically powered for precise positioning and has an adjustable headrest and armrest. Unit is designed for use during examinations, treatments, and minor procedures.
M5015	Desk, Refraction, w/Sink	1	VC	Refraction desk. This unit has a plastic laminated finish, one trail drawer with full suspension, and three storage electrical drawers with single door. It has a five switch control panel for interior room illustration muscle light, OPH project, lens-o-meter, and option for additional accessories, cameo with single bowl sink, and gooseneck faucet with wrist blade controls. This item may include an optional equipment stand/pole with one to three arms and the ability to accept a phoropter arm. The unit is used during eye examinations in ophthalmicclinics and hospitals. This unit requires special electrical hookup.
M5530	Lamp, Slit, w/Applanation Tonometer	1	V V	Slit lamp with applanation tonometer. Unit consists of a base mounted ophthalmological slit lamp with head and chin rest and manual height and focusing adjustments. The instrument features a microscope head with parallel optics that will accept an applanation tonometer. Designed for use in ophthalmology during diagnostic examinations.
M5535	Ophthalmoscope, Binocular, Indirect	1	V V	Binocular indirect ophthalmoscope. Unit consists of headband and crown, halogen quartz lamp, multi-coated aspherical lenses, scleral depressor and mirror. It also includes a control switch that regulates the illumination from 2 to 6 volts. Used to examine presence of blood vessels in patient's pupils.
M5536	Ophthalmoscope, Direct	1	V V	The Direct Ophthalmoscope shall be an instrument for examining the back portion of the interior of the eyeball and produces an un-reversed image. The unit shall consist of a head, a rechargeable handle, 3.5 v long-life battery and a case.
M5545	Ophthalmometer/Keratometer	1	V V	Keratometer/ophthalmometer. Unit features a focusing system, engraved focusing scale, positive fixation for rapid measurements, center and peripheral corneal measurements scale with a range from 30D to 60D. Unit is used for measuring corneal astigmatism.

**EXAM / TREATMENT ROOM, OPTOMETRY (OPET2)****Room Content List**

JSN	NAME	QTY	ACQ/INA	DESCRIPTION
M5562	Tester, Visual Acuity, Video/ Microprocessor Based	1	V V	Visual acuity tester using video (television monitor) and microprocessor technology. This equipment replaces the projector chart and projector in an eye examination lane. Wall bracing is required for mounting the unit directly to the wall without support from below. An optional floor stand can also be used. The unit requires an electrical outlet on the far end wall of the examination lane. This differs from standard eye examination room configurations which normally do not have electrical outlets in that wall. Other options include binocular vision and contrast sensitivity testing.
M5605	Retinoscope, Streak	1	V V	Streak retinoscope. Lightweight instrument with interchangeable heads, rechargeable battery handle, mirror, forehead rest and one halogen lamp. Continuous 360-degree streak rotation.
M5700	Frame Set, Lens, Trial	1	V V	Trial lens frame set. Set consists of light weight and color-coded marked lenses, holding tray, and a complete assortment of other accessories. It is used to determine visual acuity. Set features horizontal and vertical bridge adjustments with individual adjustments for temple length and angle.
M5705	Gauge, Distance, Pupillary	1	V V	Pupillary distance gauge. Unit is electronic and features corneal reflection, LCD display, 0.5mm measurement increments, and measure fixation PD distance to 30 cm from infinity. Unit runs on battery power and is designed to measure the distance between pupils as well as corneal and pupil diameter.
M5730	Stand, Instrument, Ophthalmic	1	V V	Ophthalmic instrument stand. Unit provides power supply for hand-held instruments, mounting post for phoropter, and mounting post and arm for slit lamp table adjacent to the ophthalmic exam chair. Used in the eye exam room.
M6040	Pachymeter, Ultrasound, Corneal	1	V V	Ultrasonic Pachymeter for measuring corneal thickness.
UXXX1 M5601	Chair Glide	1	V V	The Chair Glide, also known as Chair Mover, allows the existing patient chair to slide back to accommodate wheel chair patients. With built in track guides it prevents lateral movement when gliding the chair back and forth.



**EXAM / TREATMENT ROOM, OPTOMETRY (OPET2)****Room Content List**

JSN	NAME	QTY	ACQ/INA	DESCRIPTION
UXXX2 M5599	Phoropter	1	V V	Optical instrument used to test individual lenses on each eye to determine whether a vision problem like nearsightedness, farsightedness or astigmatism is present in a patient's eye during an exam. Patient's vision is tested through multiple lenses to determine correct vision for each eye by reading the Snellen eye chart.
UXXX3 A5048	Safe, Medication	1	V V	A wall-mounted 1.2 cu.ft. all steel safe with electronic lock, used for the secure storage of medications needed during patient examination / treatment.
UXXX5 M5525	Lensometer, Manual	1	V V	Manual Lensometer. Unit includes lamps, prism measuring lens marking device, cylinder axis wheel calibrated in two 180 degree segments and a green filter for tinted glass. The instrument may be inclined between 25 to 90 degrees. Used for measuring lens.
UXX16 F0836	Printer Stand, Mobile	1	V V	Stand features laminate top with one adjustable shelf, file holder, holds up to 200 lbs. 26"H, 26"W, 20"D

THIS PAGE INTENTIONALLY LEFT BLANK

**EXAM / TREATMENT ROOM, OPHTHALMOLOGY (OPET1)**  
**EXAM / TREATMENT ROOM, OPTOMETRY (OPET2)**  
**Room Data Sheet**

**ARCHITECTURAL**

Ceiling:	AT
Ceiling Height:	9'-0"
Wall Finish:	Paint
Base:	RB
Floor Finish:	LVT
Door:	
Hardware	1L
Glazing:	

**LIGHTING**

Maintained Average Illumination-Ambient:	500 Lux (50 FC)
Maintained Average Illumination-Examination of Outer Eye:	1000 Lux (100 FC)
Maintained Average Illumination-Reading & Color Vision Test:	500 Lux (50 FC)

**General:**

1. Dimmable 2' x 4' Fluorescent or LED Light Fixture. See Lighting Manual for illumination, color temperature, and color rendering levels .
2. Dimmable Fluorescent or LED can light. Provide switching and dimming to provide various light levels.
3. Provide switching on refraction desk to control overhead lighting.

**POWER**

**Normal Power:** To be connected to selected receptacles and equipment as shown.

**Emergency Power:** As determined by the Facility.

**Notes:**

1. Emergency Power shown is minimum. Exact number of emergency power receptacles and equipment connections to be determined on a project specific basis.
2. Coordinate electrical requirements with specific equipment.

**COMMUNICATIONS/SPECIAL SYSTEMS**

Data:	Yes
Telephone:	Yes
Cable Television:	No
Duress Alarm	No
Electronic Access and Door Control:	No
Intercom:	No
Motion Intrusion Detection (MID):	No
Nurse Call:	No
Code Blue:	No
Public Address:	No
Security Surveillance Television (SSTV):	No
VA Satellite TV:	No
Video Teleconferencing (VTEL):	No
Battery Operated Clock	Yes
In Use Light:	No

**HEATING, VENTILATING AND AIR CONDITIONING**

Dry Bulb Temp Cooling:	Refer to HVAC Design Manual
Dry Bulb Temp Heating:	Refer to HVAC Design Manual
Minimum % Outside Air:	Refer to HVAC Design Manual
100% Exhaust Air:	N/A
Noise Criteria:	Refer to HVAC Design Manual
Steam:	N/A
Relative Humidity/Cooling:	Refer to HVAC Design Manual
Relative Humidity/Heating:	Refer to HVAC Design Manual
Minimum Air Changes/Hr.:	Refer to HVAC Design Manual
Room Pressure:	Refer to HVAC Design Manual
AC Load Lights:	As Required
AC Load Equipment:	As Required
Number of People:	3
Special Equipment:	N/A

**PLUMBING AND MEDICAL GASES**

Cold Water:	Yes
Hot Water:	Yes
Laboratory Air:	No
Laboratory Vacuum:	No
Sanitary/Vent:	Yes
Medical Air:	No
Medical Vacuum:	No
Oxygen:	No
Nitrogen Oxide:	No
Nitrogen	No
Anesthesia Evac:	No
Sprinkler:	Yes
Tempered Water:	No
Water Control:	No

**Notes:**

1. Provide Lavatory/Sink P4XX as indicated in the Plumbing Design Manual and Technical Specifications.

**SPECIAL EQUIPMENT**

See Room Content List

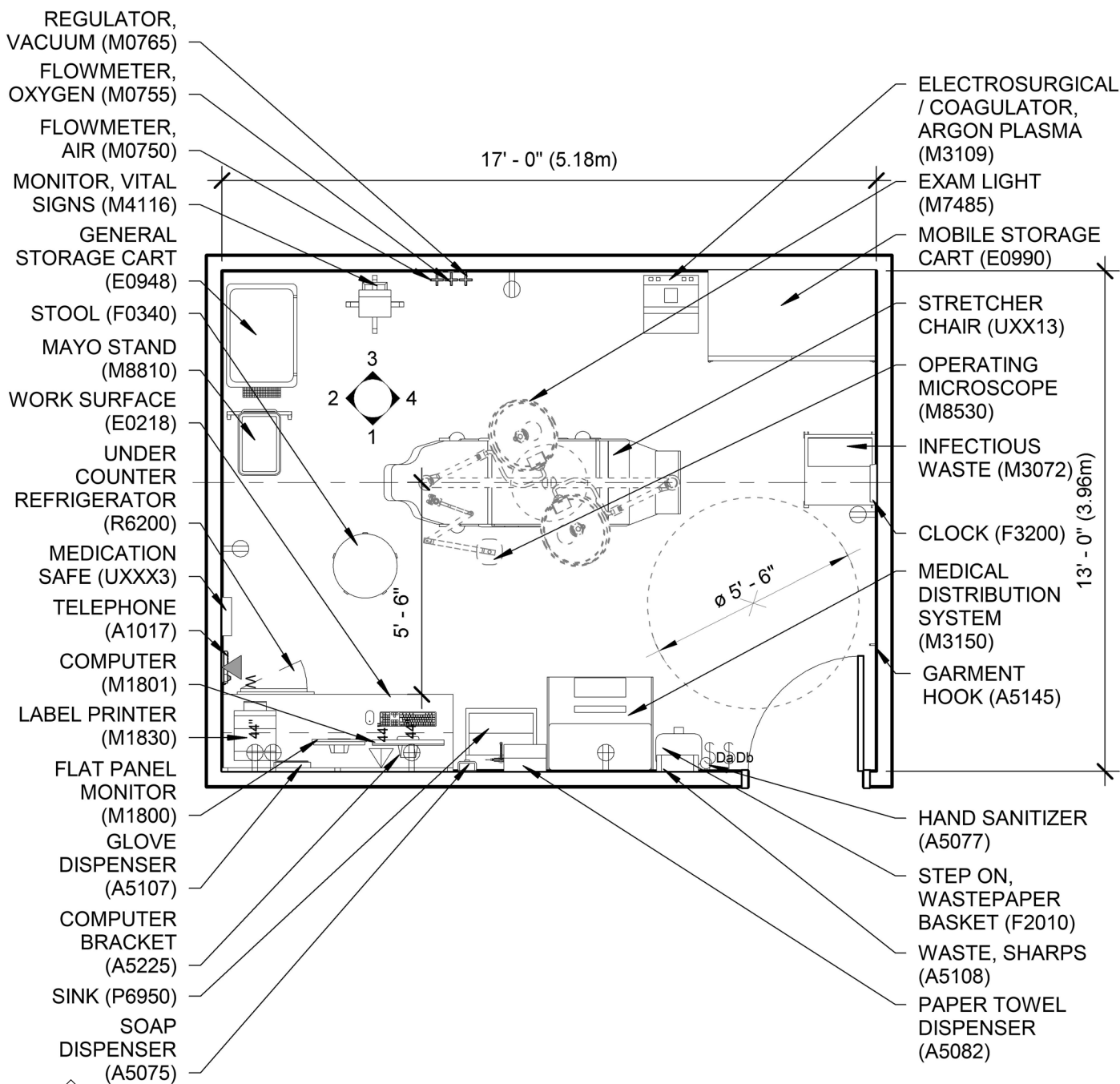
THIS PAGE INTENTIONALLY LEFT BLANK



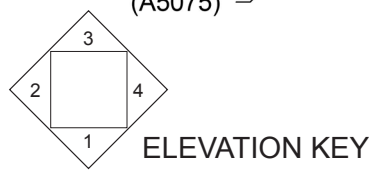
PROCEDURE ROOM, OPHTHALMOLOGY (OPPR1)

NOTE: Design Plates are graphical representations of selected room types, illustrating the integration of space, components, systems, and equipment. They provide typical configurations and general technical guidance, and are not intended to be project specific. Specific infrastructure design requirements are contained in VA Design Manuals and Space Planning Criteria located in the VA Technical Information Library.

THIS PAGE INTENTIONALLY LEFT BLANK



NOTE: THE FOLLOWING SMALL, HAND-HELD EQUIPMENT ITEMS ARE NOT SHOWN ON THE DESIGN PLATE:  
 OPHTHALMOSCOPE, BINOCULAR, INDIRECT (M5535)  
 OPHTHALMOSCOPE, DIRECT (M5536)



SCALE 1/4" = 1'-0"

PROCEDURE ROOM, OPHTHALMOLOGY (OPPR1)

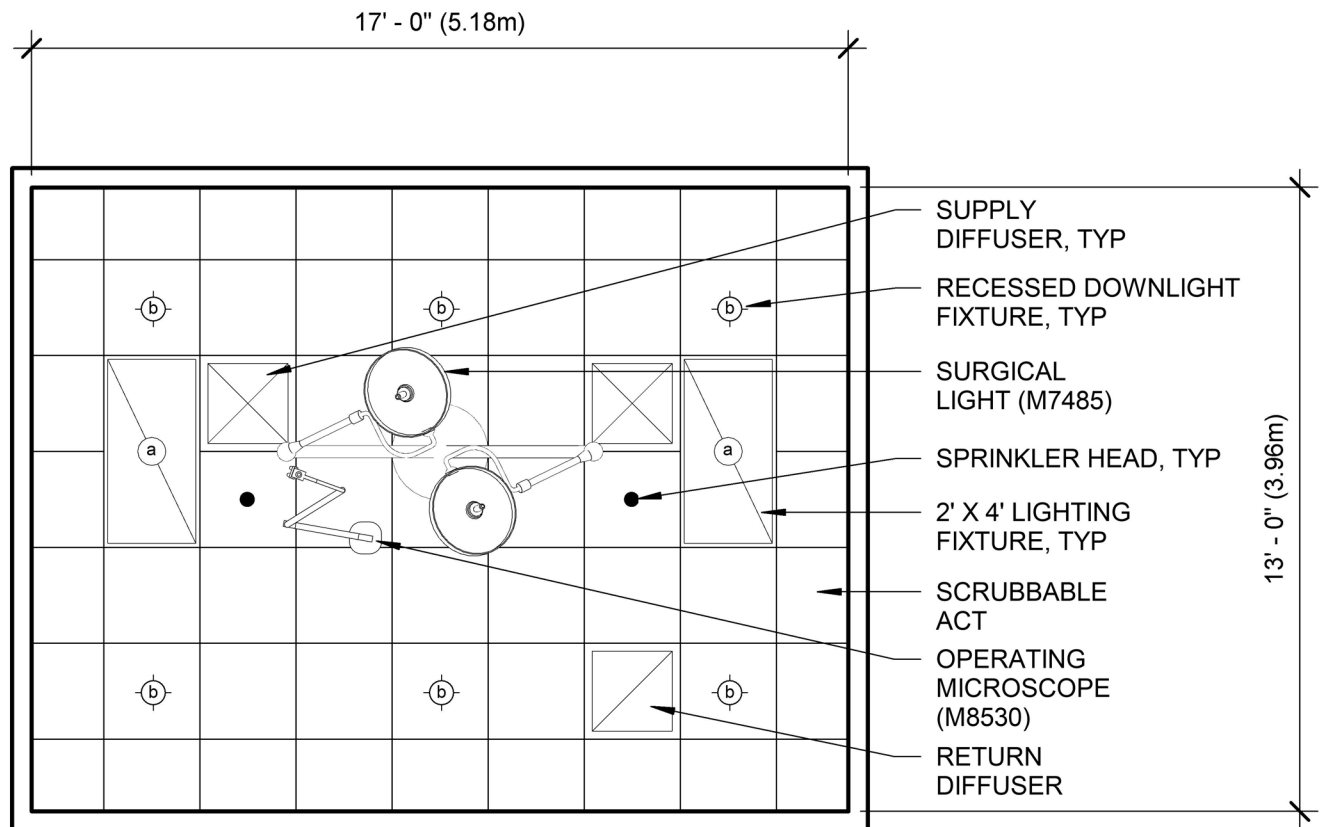


Floor/Equipment Plan (225 NSF / 21.0 NSM)

NOTE: Design Plates are graphical representations of selected room types, illustrating the integration of space, components, systems, and equipment. They provide typical configurations and general technical guidance, and are not intended to be project specific. Specific infrastructure design requirements are contained in VA Design Manuals and Space Planning Criteria located in the VA Technical Information Library.

THIS PAGE INTENTIONALLY LEFT BLANK





SCALE 1/4" = 1'-0"

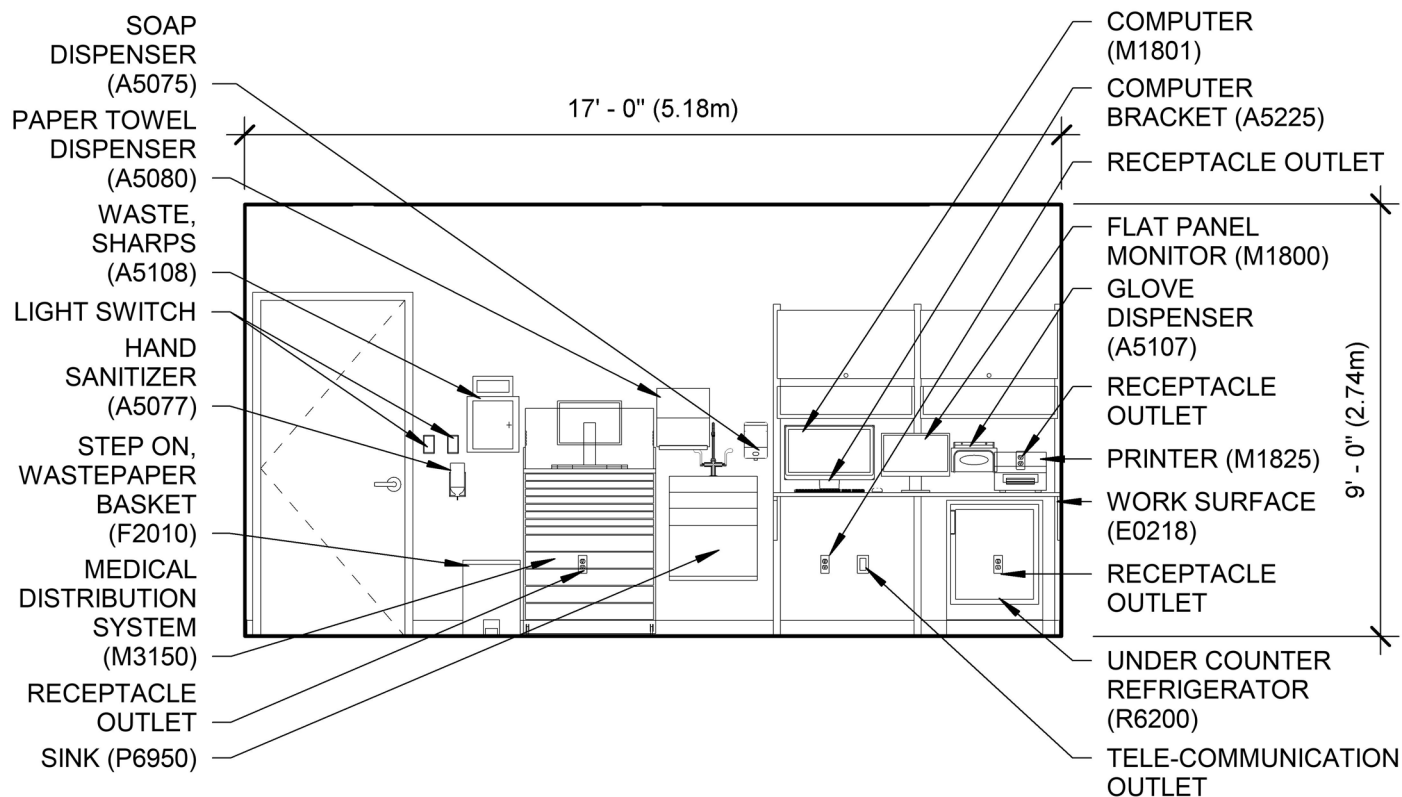
PROCEDURE ROOM, OPHTHALMOLOGY (OPPR1)



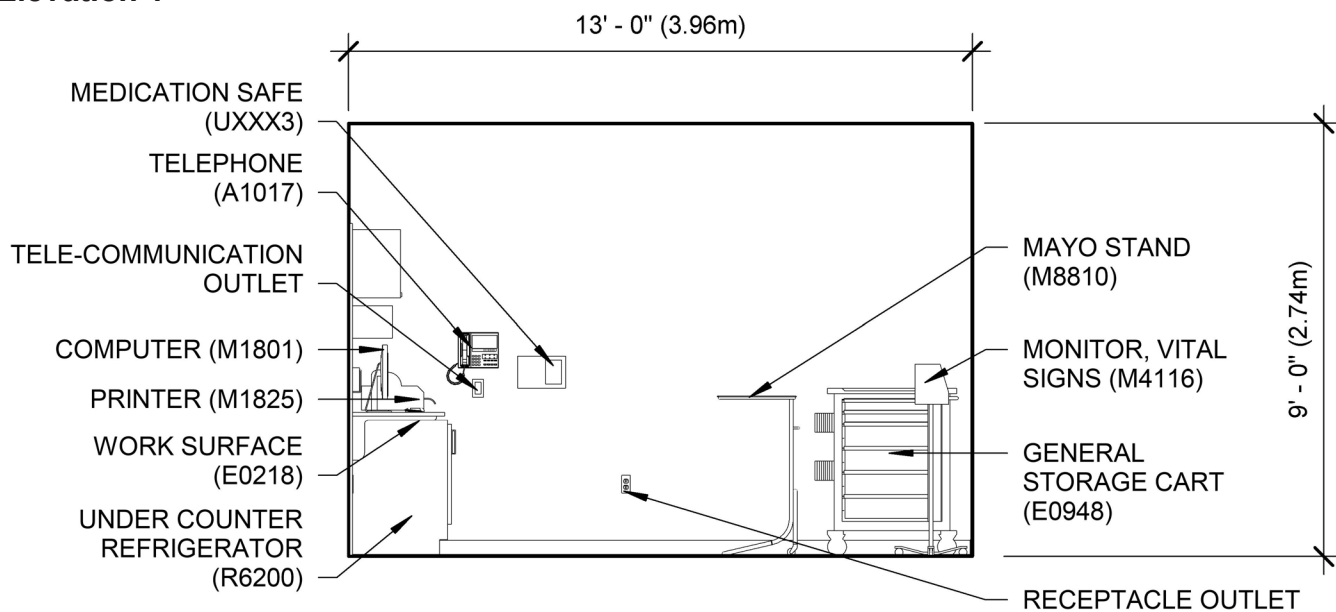
Reflected Ceiling Plan

NOTE: Design Plates are graphical representations of selected room types, illustrating the integration of space, components, systems, and equipment. They provide typical configurations and general technical guidance, and are not intended to be project specific. Specific infrastructure design requirements are contained in VA Design Manuals and Space Planning Criteria located in the VA Technical Information Library.

THIS PAGE INTENTIONALLY LEFT BLANK



**Elevation 1**



**Elevation 2**

SCALE 1/4" = 1'-0"

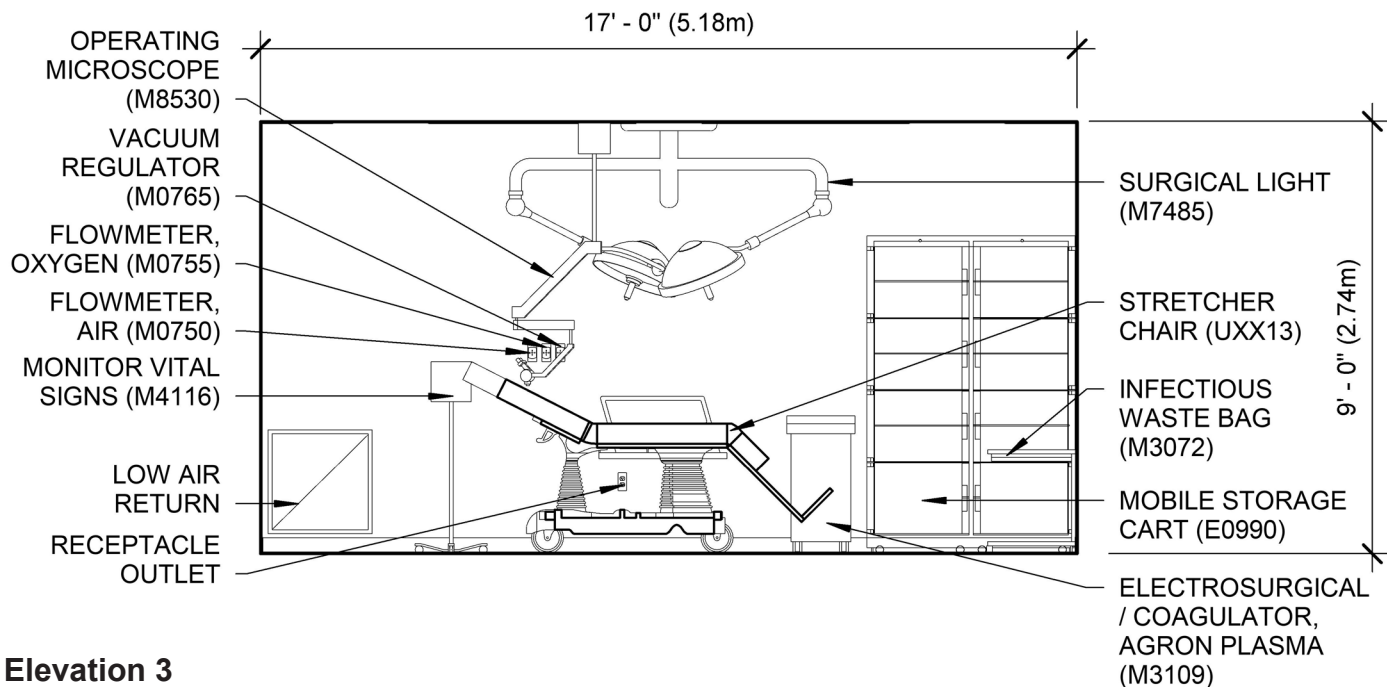
PROCEDURE ROOM, OPHTHALMOLOGY (OPPR1)



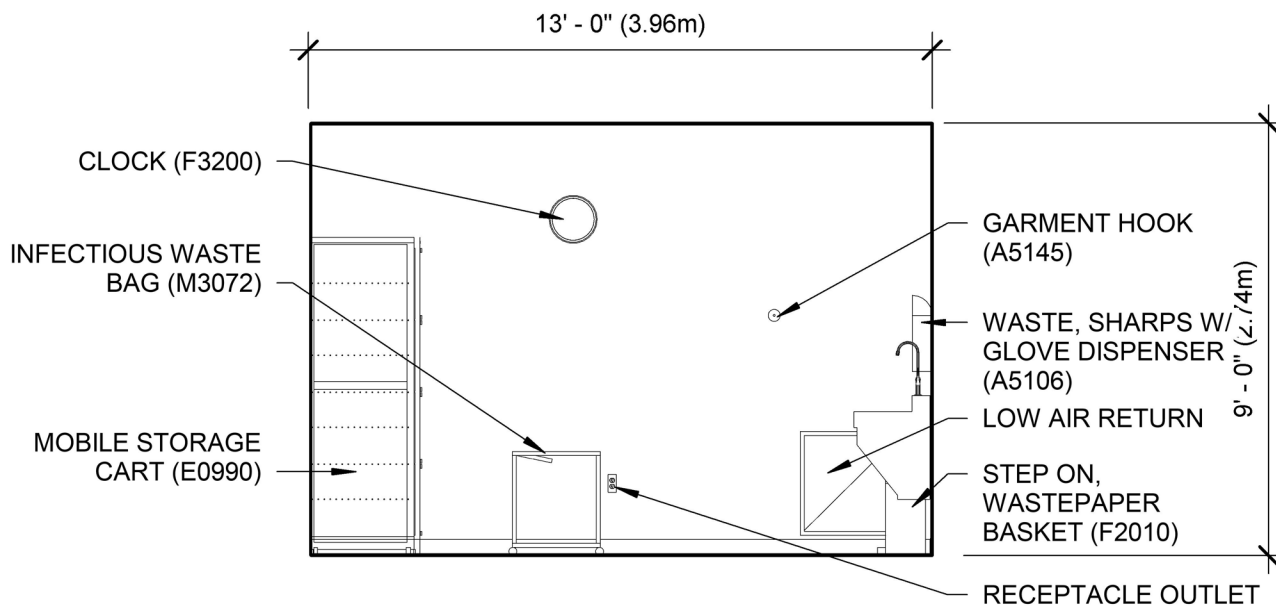
ELEVATIONS

NOTE: Design Plates are graphical representations of selected room types, illustrating the integration of space, components, systems, and equipment. They provide typical configurations and general technical guidance, and are not intended to be project specific. Specific infrastructure design requirements are contained in VA Design Manuals and Space Planning Criteria located in the VA Technical Information Library.

THIS PAGE INTENTIONALLY LEFT BLANK



Elevation 3



Elevation 4

SCALE 1/4" = 1'-0"

PROCEDURE ROOM, OPHTHALMOLOGY (OPPR1)



ELEVATIONS

NOTE: Design Plates are graphical representations of selected room types, illustrating the integration of space, components, systems, and equipment. They provide typical configurations and general technical guidance, and are not intended to be project specific. Specific infrastructure design requirements are contained in VA Design Manuals and Space Planning Criteria located in the VA Technical Information Library.

THIS PAGE INTENTIONALLY LEFT BLANK

**PROCEDURE ROOM, OPHTHALMOLOGY (OPPR1)****Room Content List**

JSN	NAME	QTY	ACQ/INA	DESCRIPTION
A1010	Telecommunication Outlet	2	V V	Telecommunication outlet location.
A1017	Telephone, Wall Mounted, Multi-Line, With Speaker	1	V V	Telephone, wall mounted, multi-line with speaker.
A5075	Dispenser, Soap, Disposable	1	V V	Disposable soap dispenser. One-handed dispensing operation. Designed to accommodate disposable soap cartridge and valve.
A5077	Dispenser, Hand Sanitizer, Hands-Free	1	V V	A touch free wall-mounted hand sanitizer dispenser. For use throughout a healthcare facility. Unit does not include the sanitizing liquid. Units are battery operated.
A5082	Dispenser, Paper Towel, Sensor, Hands Free	1	C C	A surface mounted, sensor activated, automatic, roll paper towel dispenser. The unit dispenses a paper towel automatically only when hands are placed in position below the dispenser for maximum sanitation and hygiene. May include adjustable settings for sheet length, time delay, and sensor range. Unit is battery operated or with optional AC power adapter.
A5107	Dispenser, Glove, Surgical/Examination, Wall Mntd	1	V V	Examination glove dispenser box for wall mounting. Fabricated of either cold rolled steel with a white baked enamel finish, plastic or acrylic. Provided with wall bracket to facilitate mounting and demounting.
A5108	Waste Disposal Unit, Sharps	1	V V	A container for collecting and transporting syringes and other sharps for decontamination and disposal. Available in 2 gallon and 8 gallon with locking rotor. Complies with OSHA regulations for handling sharps.
A5145	Hook, Garment, Double, SS, Surface Mounted	1	C C	A surface mounted, satin finish stainless steel, double garment hook. Equipped with a concealed mounting bracket that is secured to a concealed wall plate. For general purpose use throughout the facility to hang various items of apparel.
A5225	Bracket, Dual Computer Monitor, Desk-Mounted	1	V V	Desk-mounted bracket that supports two LCD computer monitors, or laptop and monitor configuration. Extends LCD's or laptop up to 25" with an adjustment range of 18". Desk clamp attaches to edge up to 2.6" thick. Maximum combined weight supported not to exceed 50 lbs.

**PROCEDURE ROOM, OPHTHALMOLOGY (OPPR1)****Room Content List**

JSN	NAME	QTY	ACQ/INA	DESCRIPTION
E0218	Worksurface, w/Overhead Cab, Wall Mtd, 72" W	1	V V	Typically includes: 3 Vertical Hanging Strips 2 Lockable Flipper Units 2 Shelves, Storage/Display 2 Lights 1 Cantilevered Work Surface
E0948	Cart, General Storage, Mobile, 42"H x 32"W x 22"D	1	V V	Typically includes: 1 Cart Body, Style-A Narrow, w/Raised Edge Top 2 Drawers, 3" H 4 Drawers, 6" H 1 Accessory Rail, Side Drawer Organizer Bins
E0990	Cart, Closed, w/Shelves, Mobile, 72"Hx48"Wx22"D	1	V V	Typically includes: 1 Cart body, Style A-Wide, w/o Spine 4 Wire Shelves w/Dividers 1 Cart Door, Solid
F0340	Stool, Self Adjusting	1	V V	Self adjusting stool. Consists of a foam padded upholstered seat with attached foot rest for added comfort. Mounted on swivel casters. Designed for doctor's use during examinations.
F2010	Basket, Wastepaper, Step-On	1	V V	Self adjusting stool. Consists of a foam padded upholstered seat with attached foot rest for added comfort. Mounted on swivel casters. Designed for doctor's use during examinations.
F3200	Clock, Battery, 12" Diameter	1	V V	Clock, 12" diameter. Round surface, easy to read numbers with sweep second hand. Wall mounted unit for use when impractical to install a fully synchronized clock system. Battery operated, (batteries not included).
M0750	Flowmeter, Air, Connect w/50 PSI Supply	2	V V	Air flowmeter. Unit has a stainless steel needle valve with clear flowtube for connection to 50 PSI air outlet from central pipeline system. Requires the appropriate adapter for connection to the wall outlet and fitting to connect to tubing. Database prices reflect fittings with an attached DISS power outlet. Other outlet and adapter configurations are available.
M0755	Flowmeter, Oxygen, Low Flow	2	V V	Oxygen flowmeter. Consists of a clear crystal flowtube calibrated to 3.5 or 8 LPM depending on manufacturer. For oxygen regulation in hospital settings. Database pricing includes DISS fitting and DISS power outlet and wall adapter. Other fitting and adapter configurations are available.



**PROCEDURE ROOM, OPHTHALMOLOGY (OPPR1)****Room Content List**

JSN	NAME	QTY	ACQ/INA	DESCRIPTION
M0765	Regulator, Vacuum	2	V V	Vacuum pressure regulator for connection to central piped vacuum system. Standard display scale is graduated at least from 0 to 200 mm Hg of vacuum. Displays on specialized regulators may cover other vacuum ranges. Regulator type (continuous, intermittent, continuous/intermittent, surgical, pediatric, thoracic, etc.) as required. To be used in delivery, neonatal, pediatrics or any area where suction is required. Database pricing reflects continuous regulators graduated to 200 mm Hg with a full line vacuum selection switch and DISS configured inlets and outlets.
M1800	Flat Panel Monitor	1	V V	A flat panel display is a television, monitor or other display appliance that uses a thin panel design instead of a traditional cathode ray tube (CRT) design. These screens are much lighter and thinner, and can be much more portable than traditional televisions and monitors. They also have higher resolution than older models.
M1801	Computer, Microprocessing, w/Flat Panel Monitor	1	V V	Desk top microprocessing computer. The unit shall consist of a central processing mini tower, flat panel monitor, keyboard, mouse and speakers. The computer is used throughout the facility to input, manipulate and retrieve information.
M1830	Printer, Label, Pharmacy	1	V V	Label printer for use in pharmacy applications. The printer shall be bench top standing. It shall be flexible enough to accommodate label sizes up to 4 inches, with a minimum print speed of 6 inches per second and a minimum resolution of 203 dpi.
M3072	Frame, Infectious Waste Bag w/Lid	1	V V	Frame for an infectious waste collection bag. Made of heavy tubular stainless steel with heavy gauge welded steel platform. Adjust to hold 18" or 25" trash bags. Mounted on ball bearing casters and includes permanently mounted hinged lid. Provides means of bagging infectious waste at point of waste generation.
M3109	Electrosurgical/Coagulator, Argon Plasma	1	V V	An electrosurgical generator with an argon plasma coagulator and APC pulsed mode. This feature auto-regulates beam ignition and provides automatic dosing of power for increased control. The plug and play digital instrument recognition technology automatically configures the entire system to preprogrammed procedural parameters.

**PROCEDURE ROOM, OPHTHALMOLOGY (OPPR1)****Room Content List**

JSN	NAME	QTY	ACQ/INA	DESCRIPTION
M3150	Distribution System, Medication, Automatic	1	V V	An automated dispensing system that provides controlled dispensing, inventory and security. Size and cost will vary dependent on number of modules selected.
M4116	Monitor, Vital Signs	1	V V	Electronic sphygmomanometer. LCD displays non-invasive blood pressure, pulse rate and temperature. Used in hospitals and clinics. Includes an optional mobile stand.
M5535	Ophthalmoscope, Binocular, Indirect	1	V V	Binocular indirect ophthalmoscope. Unit consists of headband and crown, halogen quartz lamp, multi-coated aspherical lenses, scleral depressor and mirror. It also includes a control switch that regulates the illumination from 2 to 6 volts. Used to examine presence of blood vessels in patient's pupils.
M5536	Ophthalmoscope, Direct	1	V V	The Direct Ophthalmoscope shall be an instrument for examining the back portion of the interior of the eyeball and produces an un-reversed image. The unit shall consist of a head, a rechargeable handle, 3.5 v long-life battery and a case.
M7485	Light, Surg, Ceiling Mtd, Dual, Equal Dia Heads	1	V V	Dual head surgical light mounted from a single pole. Both heads are of equal size and hang from individual swing arms. Each light head contains several light sources, an intensity control and a detachable, sterilizable handle. The minimum required ceiling height for most models is 9'-2"; refer to the manufacturers' specifications. The database height dimension below refers to the height of the lamp heads themselves. Width and depth are the sum of the swing arm length and lamp head diameter. This light is for use in major and minor surgical procedures.
M8530	Microscope, Operating, Ceiling Mounted	1	V V	Ceiling mounted operating microscope. Unit consists of a binocular microscope body equipped with a range of available accessories for co-observation, documentation and illumination, motorized zoom and precision focusing system. Foot-pedal controlled. Unit is held by an adjustable arm attached to a ceiling support mechanism.
M8810	Stand, Mayo	1	V V	Adjustable instrument table. Table is corrosion resistant stainless steel construction and is mounted on two casters with two skid rails. It has telescopic upright adjusts from 39 inches to 60 inches with automatic locking device, and removable 13"x19" instrument tray. Designed for use in operating and procedure rooms.

**PROCEDURE ROOM, OPHTHALMOLOGY (OPPR1)****Room Content List**

JSN	NAME	QTY	ACQ/INA	DESCRIPTION
P6950	Sink, Scrub, With Knee Valve, 13.5x22x19	1	C C	Surgeon's scrub-up sink. Unit is operated by knee-action valve and gooseneck supply. Sink shall conform to FED. SPEC. WW-P-541/9B, Type IV, class 1. Unit is used as a scrub sink in surgical and clinical areas of the facility.
R6200	Refrigerator, U/C or F/S, 5 Cu Ft	1	V V	Utility refrigerator approximately 35" H x 24" W x 26" D. The unit has a two tray ice cube cooling system. The refrigerator fits standard architectural dimensions for undercounter installation. The unit is perfect for use in nurses' station, wards, and laboratories, pharmacies or wherever space is limited.
UXXX3 A5048	Safe, Medication	1	V V	A wall-mounted 1.2 cu.ft. all steel safe with electronic lock, used for the secure storage of medications needed during patient examination / treatment.
UXX13 M4654	Stretcher Chair	1	V V	Stretcher articulates from a flat to a chair position; pneumatic backrest maneuvers 0 to 90 degrees; dual hydraulic jacks and fourwheel, steel-ring brakes optimize stability; foot section can be moved dependently or independently of backrest; eye Stretcher Chair model features dual-articulation headpiece for eye surgery. Vinyl mattress, 6" casters, 24" wide patient surface, adjustable height footrest, dual cylinder pneumatic backrest, dual pedestal hydraulics, four IV receptacles, four-wheel, steel-ring brakes with dual-side activators, hands-free Trendelenburg, swing-down siderails with comfort armrests, thermoformed ABS hood with integrated storage tray and oxygen bottle holder, independent foot section leg.

THIS PAGE INTENTIONALLY LEFT BLANK

**PROCEDURE ROOM, OPHTHALMOLOGY (OPPR1)**  
**Room Data Sheet**

ARCHITECTURAL	
Ceiling:	AT (note 1)
Ceiling Height:	9'-0"
Wall Finish:	SC (note 2)
Base:	WSF
Floor Finish:	WSF (note 3)
Door:	
Hardware	1L
Glazing:	

- Notes:**
1. Special faced AT ceiling
  2. High build glazed wall coating
  3. Welded seam sheet flooring

LIGHTING	
Maintained Average Illumination-Ambient:	1000 Lux (100 FC)
Maintained Average Illumination-Task Focust:	2000 Lux (200 FC)

- General:**
1. Dimmable 2' x 4' Fluorescent or LED Light Fixture. See Lighting Manual for illumination, color temperature, and color rendering levels .
  2. Dimmable Fluorescent or LED can light. Provide switching and dimming to provide various light levels.
  3. Ceiling mounted surgical light.
  4. Wall or ceiling mounted vacancy sensor.

**POWER**

**Normal Power:** To be connected to selected receptacles and equipment as shown.

**Emergency Power:** Critical branch of the EES to be connected to selected receptacles and equipment as shown. Connect task illumination selected receptacles and fixed equipment to critical branch of the EES.

- Notes:**
1. Emergency Power shown is minimum. Exact number of emergency power receptacles and equipment connections to be determined on a project specific basis.
  2. Coordinate electrical requirements with specific equipment.

**COMMUNICATIONS/SPECIAL SYSTEMS**

Data:	Yes
Telephone:	Yes
Cable Television:	No
Duress Alarm	No
Electronic Access and Door Control:	No
Intercom:	No
Motion Intrusion Detection (MID):	No
Nurse Call:	No
Code Blue:	No
Public Address:	No
Security Surveillance Television (SSTV):	No
VA Satellite TV:	No
Video Conferencing (VTEL):	No
Battery Operated Clock	Yes
In Use Light:	Yes

HEATING, VENTILATING AND AIR CONDITIONING	
Dry Bulb Temp Cooling:	Refer to HVAC Design Manual
Dry Bulb Temp Heating:	Refer to HVAC Design Manual
Minimum % Outside Air:	Refer to HVAC Design Manual
100% Exhaust Air:	N/A
Noise Criteria:	Refer to HVAC Design Manual
Steam:	N/A
Relative Humidity/Cooling:	Refer to HVAC Design Manual
Relative Humidity/Heating:	Refer to HVAC Design Manual
Minimum Air Changes/Hr.:	Refer to HVAC Design Manual
Room Pressure:	Refer to HVAC Design Manual
AC Load Lights:	As Required
AC Load Equipment:	As Required
Number of People:	3
Special Equipment:	N/A

**PLUMBING AND MEDICAL GASES**

Cold Water:	Yes
Hot Water:	Yes
Laboratory Air:	No
Laboratory Vacuum:	No
Sanitary/Vent:	Yes
Medical Air:	Yes
Medical Vacuum:	Yes
Oxygen:	Yes
Nitrogen Oxide:	No
Nitrogen	No
Anesthesia Evac:	No
Sprinkler:	Yes
Tempered Water:	No
Water Control:	No

**SPECIAL EQUIPMENT**

See Room Content List

THIS PAGE INTENTIONALLY LEFT BLANK

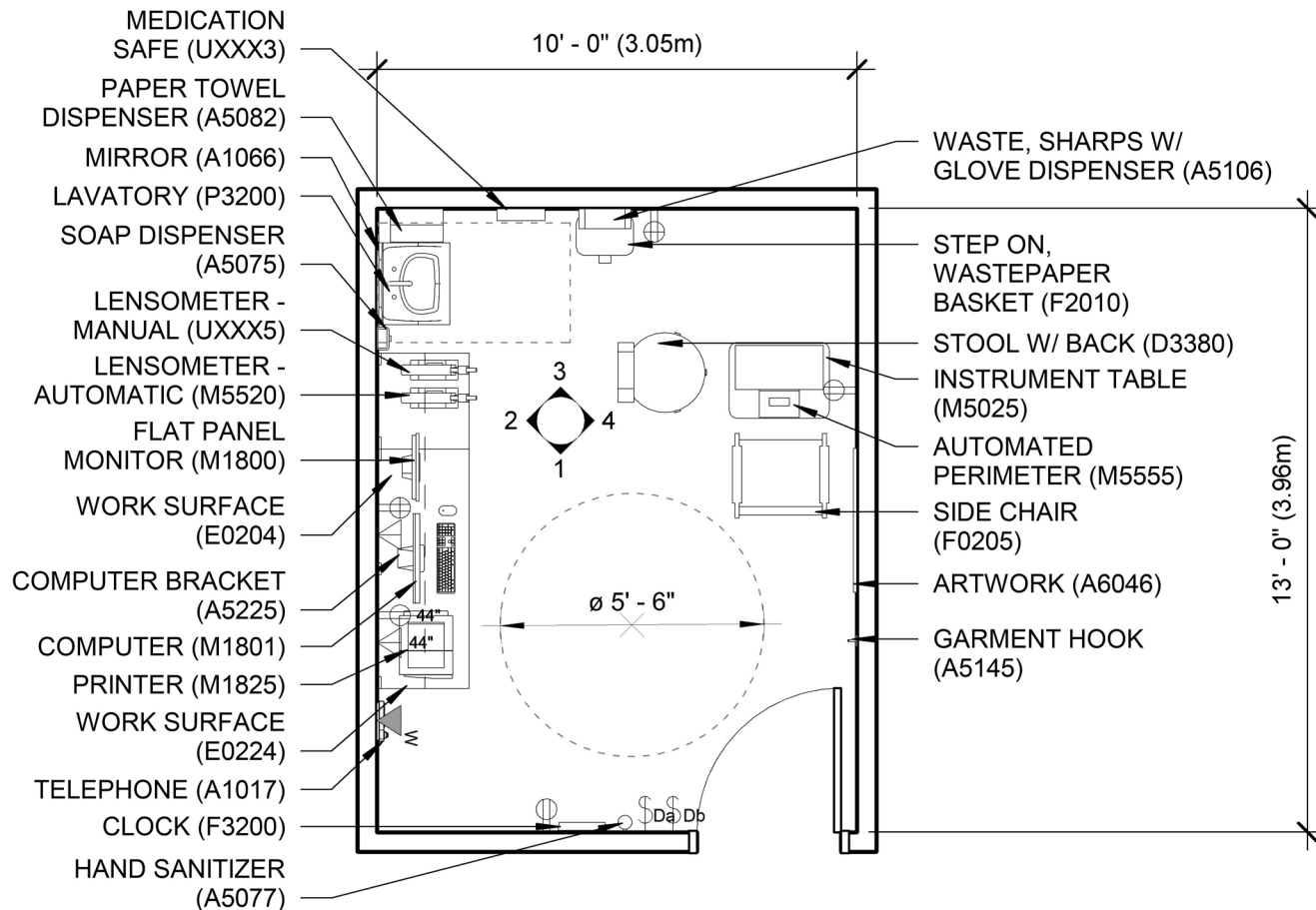


VISUAL FIELDS ROOM, OPHTHALMOLOGY (OPVF1)  
VISUAL FIELDS ROOM, OPTOMETRY (OPVF2)

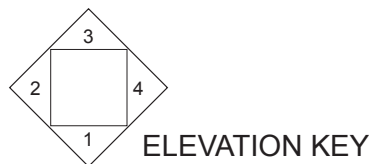
NOTE: Design Plates are graphical representations of selected room types, illustrating the integration of space, components, systems, and equipment. They provide typical configurations and general technical guidance, and are not intended to be project specific. Specific infrastructure design requirements are contained in VA Design Manuals and Space Planning Criteria located in the VA Technical Information Library.

THIS PAGE INTENTIONALLY LEFT BLANK





**NOTE:** THE FOLLOWING SMALL, HAND-HELD EQUIPMENT ITEMS ARE NOT SHOWN ON THE DESIGN PLATE:  
FRAME SET, LENS, TRIAL (M5700)



SCALE 1/4" = 1'-0"

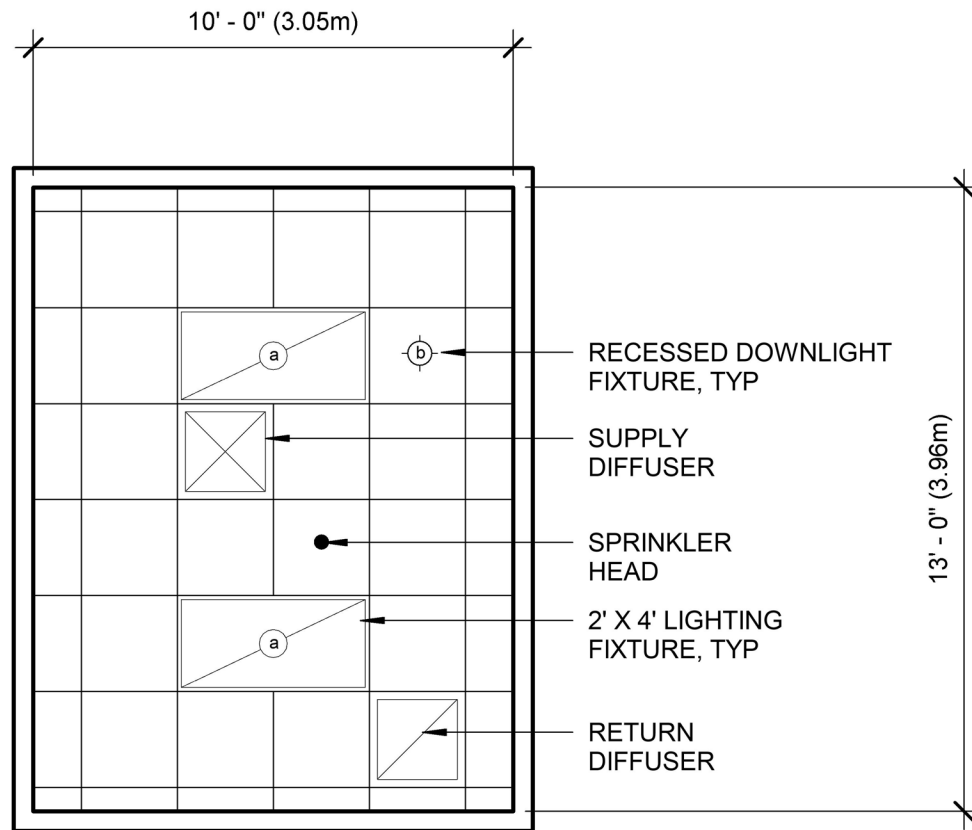
**VISUAL FIELDS ROOM, OPHTHALMOLOGY (OPVF1)**  
**VISUAL FIELDS ROOM, OPTOMETRY (OPVF2)**



Floor/Equipment Plan (130 NSF / 12.1 NSM)

**NOTE:** Design Plates are graphical representations of selected room types, illustrating the integration of space, components, systems, and equipment. They provide typical configurations and general technical guidance, and are not intended to be project specific. Specific infrastructure design requirements are contained in VA Design Manuals and Space Planning Criteria located in the VA Technical Information Library.

THIS PAGE INTENTIONALLY LEFT BLANK



VISUAL FIELDS ROOM, OPHTHALMOLOGY (OPVF1)  
 VISUAL FIELDS ROOM, OPTOMETRY (OPVF2)

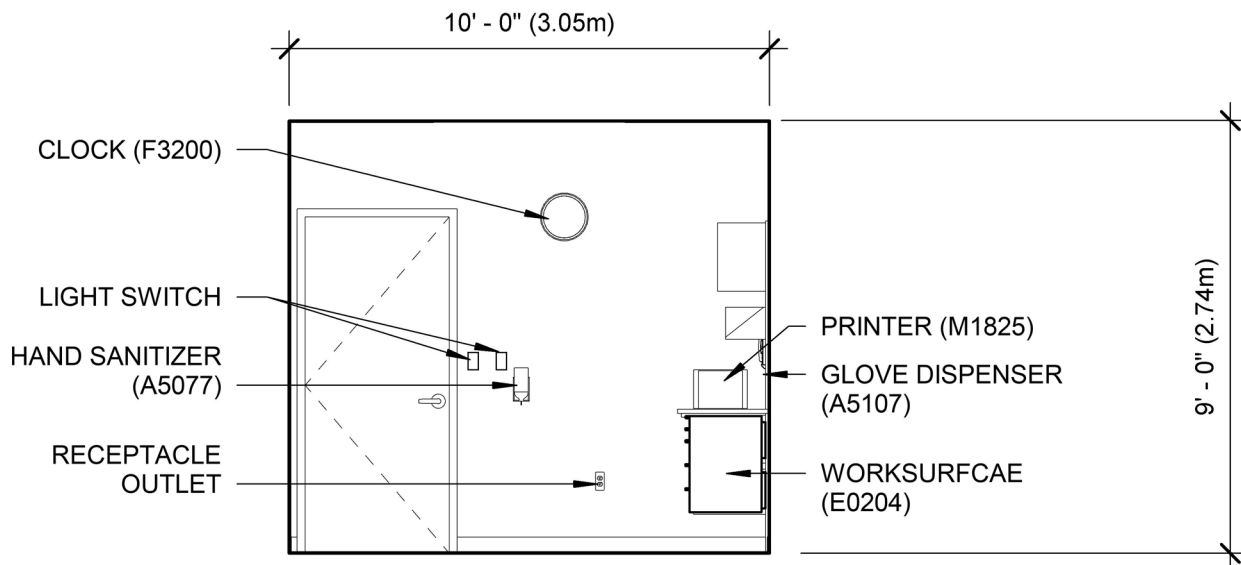
SCALE 1/4" = 1'-0"



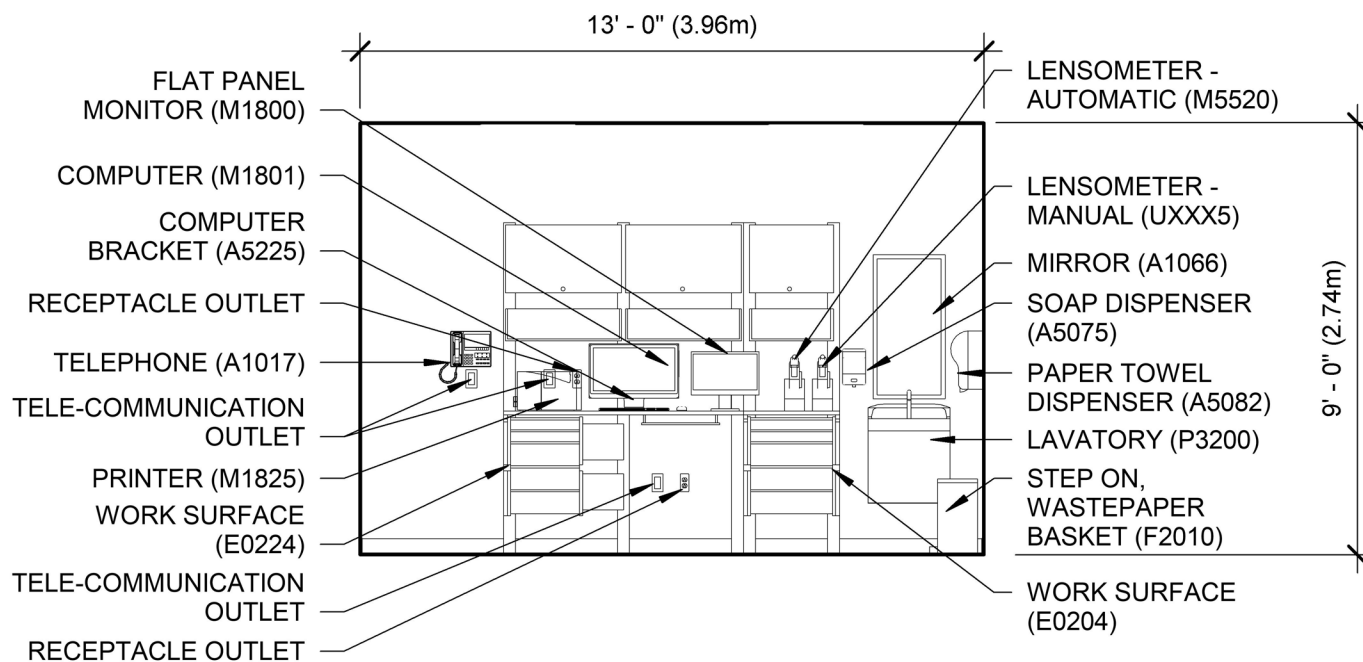
Reflected Ceiling Plan

NOTE: Design Plates are graphical representations of selected room types, illustrating the integration of space, components, systems, and equipment. They provide typical configurations and general technical guidance, and are not intended to be project specific. Specific infrastructure design requirements are contained in VA Design Manuals and Space Planning Criteria located in the VA Technical Information Library.

THIS PAGE INTENTIONALLY LEFT BLANK



**Elevation 1**



**Elevation 2**

VISUAL FIELDS ROOM, OPHTHALMOLOGY (OPVF1)  
 VISUAL FIELDS ROOM, OPTOMETRY (OPVF2)

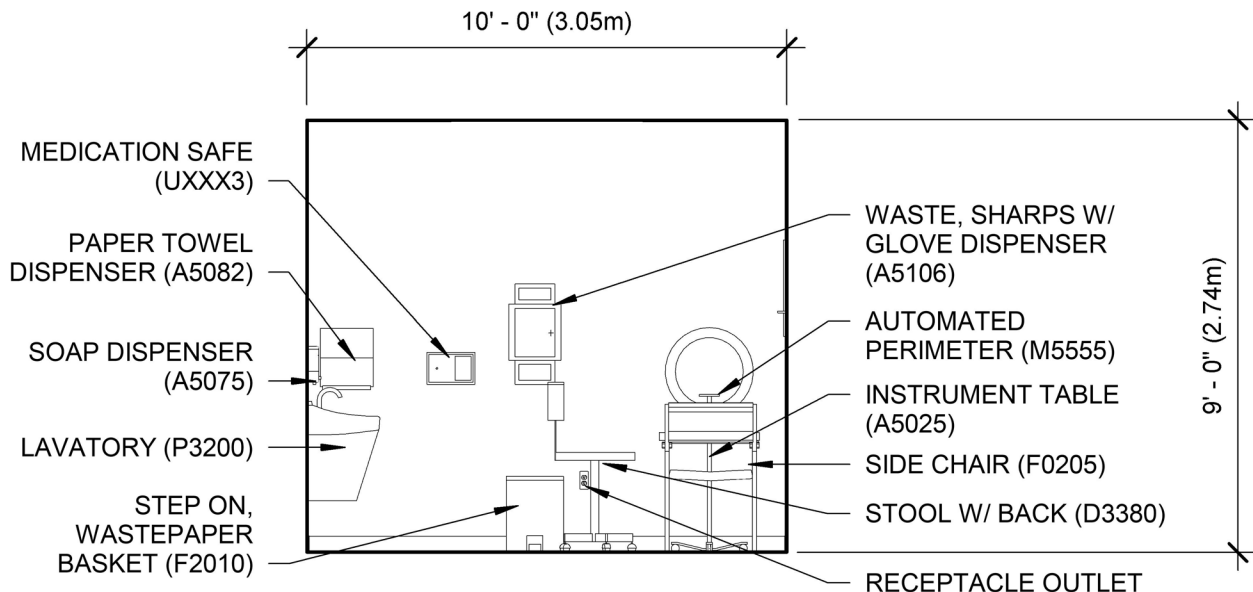
SCALE 1/4" = 1'-0"



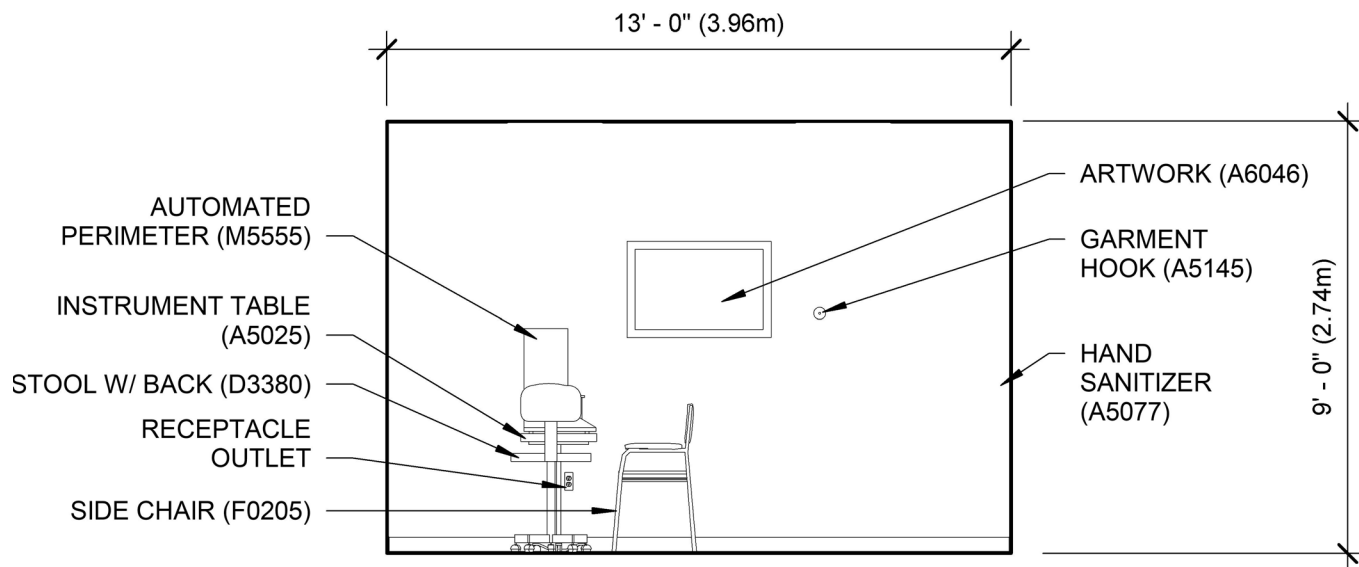
ELEVATIONS

NOTE: Design Plates are graphical representations of selected room types, illustrating the integration of space, components, systems, and equipment. They provide typical configurations and general technical guidance, and are not intended to be project specific. Specific infrastructure design requirements are contained in VA Design Manuals and Space Planning Criteria located in the VA Technical Information Library.

THIS PAGE INTENTIONALLY LEFT BLANK



Elevation 3



Elevation 4

VISUAL FIELDS ROOM, OPHTHALMOLOGY (OPVF1)  
 VISUAL FIELDS ROOM, OPTOMETRY (OPVF2)

SCALE 1/4" = 1'-0"



ELEVATIONS

NOTE: Design Plates are graphical representations of selected room types, illustrating the integration of space, components, systems, and equipment. They provide typical configurations and general technical guidance, and are not intended to be project specific. Specific infrastructure design requirements are contained in VA Design Manuals and Space Planning Criteria located in the VA Technical Information Library.

THIS PAGE INTENTIONALLY LEFT BLANK



**VISUAL FIELDS ROOM, OPHTHALMOLOGY (OPVF1)****Room Content List**

JSN	NAME	QTY	ACQ/INA	DESCRIPTION
A1010	Telecommunication Outlet	2	V V	Telecommunication outlet location.
A1017	Telephone, Wall Mounted, Multi-Line, With Speaker	1	V V	Telephone, wall mounted, multi-line with speaker.
A1066	Mirror, Float Glass, With SS Frame	1	C C	A high quality 1/4" polished float glass mirror 36X18, framed in a one-piece, bright polished, stainless steel channel frame with 90° mitered corners. All edges of the mirror are protected by absorbing filler strips. Mirror has a galvanized steel back with integral horizontal hanging brackets and wall hanger for concealed mounting. For mounting above single wall mounted lavatories located in toilet areas, Doctors examination offices, etc. May also be used above double lavatories, either wall or countertop mounted, found in restroom areas.
A5075	Dispenser, Soap, Disposable	1	V V	Disposable soap dispenser. One-handed dispensing operation. Designed to accommodate disposable soap cartridge and valve.
A5077	Dispenser, Hand Sanitizer, Hands-Free	1	V V	A touch free wall-mounted hand sanitizer dispenser. For use throughout a healthcare facility. Unit does not include the sanitizing liquid. Units are battery operated.
A5082	Dispenser, Paper Towel, Sensor, Hands Free	1	C C	A surface mounted, sensor activated, automatic, roll paper towel dispenser. The unit dispenses a paper towel automatically only when hands are placed in position below the dispenser for maximum sanitation and hygiene. May include adjustable settings for sheet length, time delay, and sensor range. Unit is battery operated or with optional AC power adapter.
A5106	Waste Disposal Unit, Sharps w/Glove Dispenser	1	V V	The unit is designed for the disposal of sharps and complies with OSHA guidelines for the handling of sharps. It shall house a 5 quart container and be capable of being mounted on a wall. It shall have a glove dispenser attached. The unit shall be secured by a locked enclosure.
A5145	Hook, Garment, Double, SS, Surface Mounted	1	C C	A surface mounted, satin finish stainless steel, double garment hook. Equipped with a concealed mounting bracket that is secured to a concealed wall plate. For general purpose use throughout the facility to hang various items of apparel.
A5225	Bracket, Dual Computer Monitor, Desk-Mounted	1	V V	Desk-mounted bracket that supports two LCD computer monitors, or laptop and monitor configuration. Extends LCD's or laptop up to 25" with an adjustment range of 18". Desk clamp attaches to edge up to 2.6" thick. Maximum combined weight supported not to exceed 50 lbs.

**VISUAL FIELDS ROOM, OPHTHALMOLOGY (OPVF1)****Room Content List**

JSN	NAME	QTY	ACQ/INA	DESCRIPTION
A6046	Artwork, Decorative, With Frame	1	V V	Decorative Artwork. Final selection and location to be done at the project level.
E0204	Worksurface, w/Overhd Cab & Drwrs, Wall Mtd, 24" W	1	V V	Typically includes: 2 Vertical Hanging Strips 1 Lockable Flipper Unit 1 Shelf, Storage/Display 1 Light 1 Cantilevered Work Surface 2 Storage Frames 2 Drawers, 3"H 3 Drawers, 6"H
E0224	Worksurface, Computer, O/H Cab, Wall Mtd, 60" W	1	V V	Typically includes: 3 Vertical Hanging Strips 2 Lockable Flipper Units 2 Shelves, Storage/Display 2 Lights 1 Tack board 2 Tool Rails 2 Paper Trays 1 Diagonal Tray 1 Cantilevered Work Surface 1 Adjustable Keyboard Tray 1 Stationary Pedestal, Box/Box/File
F0205	Chair, Side With Arms	1	V V	Upholstered side chair, 32" high X 21" wide X 23" deep with arms, padded seats and padded backs. Seat height is a minimum of 17". Available with or without sled base.
F2010	Basket, Wastepaper, Step-On	1	V V	"Step-on" wastepaper basket with inner liner and foot pedal activated flip top.
F3200	Clock, Battery, 12" Diameter	1	V V	Clock, 12" diameter. Round surface, easy to read numbers with sweep second hand. Wall mounted unit for use when impractical to install a fully synchronized clock system. Battery operated, (batteries not included).
M1800	Flat Panel Monitor	1	V V	A flat panel display is a television, monitor or other display appliance that uses a thin panel design instead of a traditional cathode ray tube (CRT) design. These screens are much lighter and thinner, and can be much more portable than traditional televisions and monitors. They also have higher resolution than older models.
M1801	Computer, Microprocessing, w/Flat Panel Monitor	1	V V	Desk top microprocessing computer. The unit shall consist of a central processing mini tower, flat panel monitor, keyboard, mouse and speakers. The computer is used throughout the facility to input, manipulate and retrieve information.

**VISUAL FIELDS ROOM, OPHTHALMOLOGY (OPVF1)****Room Content List**

JSN	NAME	QTY	ACQ/INA	DESCRIPTION
M1825	Printer, Computer	1	V V	High resolution computer printer with a variety of type styles and sheet/envelope feeder trays. Database information reflects network ready, medium duty office style laser printers.
M5025	Table, Instrument, Ophthalmic, Adjustable	1	V V	Ophthalmic adjustable instrument table. Four toed pedestal type base with foot pedal brake or hand operated clamp for securing table adjustment. Designed for use with slit lamp, ophthalmometer, perimeter and screening instruments.
M5555	Perimeter, Automated	1	V V	Automated ophthalmic perimeter. Unit has on screen display for rapid and accurate alignment of patients automatic pupil size measurement, seven different fixation aids, ergonomic chin rest, several threshold strategies, and high target intensity.
M5700	Frame Set, Lens, Trial	1	V V	Trial lens frame set. Set consists of light weight and color-coded marked lenses, holding tray, and a complete assortment of other accessories. It is used to determine visual acuity. Set features horizontal and vertical bridge adjustments with individual adjustments for temple length and angle.
P3200	Lavatory, Vitreous China, Slab Type w/ Sens Op Fauc	1	C C	Wall mounted, slab type, vitreous china, lavatory (approximately 7 x 15 x 10 inches) with faucet holes on 4 inch centers; electronic sensor operated, goose neck spout and grid strainer. It shall be suitable for use in clinics, offices and patient care areas.
UXXX3 A5048	Safe, Medication	1	V V	A wall-mounted 1.2 cu.ft. all steel safe with electronic lock, used for the secure storage of medications needed during patient examination / treatment.
UXXX5 M5525	Lensometer, Manual	1	V V	Manual Lensometer. Unit includes lamps, prism measuring lens marking device, cylinder axis wheel calibrated in two 180 degree segments and a green filter for tinted glass. The instrument may be inclined between 25 to 90 degrees. Used for measuring lens.
UXX17 D3380	Stool with back	1	V V	Pneumatic height adjusting stool with adjusting back rest, adjustment range 19-1/4" to 23-3/4" height; 14-1/2" dia., fully padded seat and back. Mounted in 2" dual-swivel casters.

THIS PAGE INTENTIONALLY LEFT BLANK

**VISUAL FIELDS ROOM, OPTOMETRY (OPVF2)****Room Content List**

JSN	NAME	QTY	ACQ/INA	DESCRIPTION
A1010	Telecommunication Outlet	2	V V	Telecommunication outlet location.
A1017	Telephone, Wall Mounted, Multi-Line, With Speaker	1	V V	Telephone, wall mounted, multi-line with speaker.
A1066	Mirror, Float Glass, With SS Frame	1	C C	A high quality 1/4" polished float glass mirror 36X18, framed in a one-piece, bright polished, stainless steel channel frame with 90° mitered corners. All edges of the mirror are protected by absorbing filler strips. Mirror has a galvanized steel back with integral horizontal hanging brackets and wall hanger for concealed mounting. For mounting above single wall mounted lavatories located in toilet areas, Doctors examination offices, etc. May also be used above double lavatories, either wall or countertop mounted, found in restroom areas.
A5075	Dispenser, Soap, Disposable	1	V V	Disposable soap dispenser. One-handed dispensing operation. Designed to accommodate disposable soap cartridge and valve.
A5077	Dispenser, Hand Sanitizer, Hands-Free	1	V V	A touch free wall-mounted hand sanitizer dispenser. For use throughout a healthcare facility. Unit does not include the sanitizing liquid. Units are battery operated.
A5082	Dispenser, Paper Towel, Sensor, Hands Free	1	C C	A surface mounted, sensor activated, automatic, roll paper towel dispenser. The unit dispenses a paper towel automatically only when hands are placed in position below the dispenser for maximum sanitation and hygiene. May include adjustable settings for sheet length, time delay, and sensor range. Unit is battery operated or with optional AC power adapter.
A5106	Waste Disposal Unit, Sharps w/Glove Dispenser	1	V V	The unit is designed for the disposal of sharps and complies with OSHA guidelines for the handling of sharps. It shall house a 5 quart container and be capable of being mounted on a wall. It shall have a glove dispenser attached. The unit shall be secured by a locked enclosure.
A5145	Hook, Garment, Double, SS, Surface Mounted	1	C C	A surface mounted, satin finish stainless steel, double garment hook. Equipped with a concealed mounting bracket that is secured to a concealed wall plate. For general purpose use throughout the facility to hang various items of apparel.

**VISUAL FIELDS ROOM, OPTOMETRY (OPVF2)****Room Content List**

JSN	NAME	QTY	ACQ/INA	DESCRIPTION
A5225	Bracket, Dual Computer Monitor, Desk-Mounted	1	V V	Desk-mounted bracket that supports two LCD computer monitors, or laptop and monitor configuration. Extends LCD's or laptop up to 25" with an adjustment range of 18". Desk clamp attaches to edge up to 2.6" thick. Maximum combined weight supported not to exceed 50 lbs.
A6046	Artwork, Decorative, With Frame	1	V V	Decorative Artwork. Final selection and location to be done at the project level.
E0204	Worksurface, w/Overhd Cab & Drwrs, Wall Mtd, 24" W	1	V V	Typically includes: 2 Vertical Hanging Strips 1 Lockable Flipper Unit 1 Shelf, Storage/Display 1 Light 1 Cantilevered Work Surface 2 Storage Frames 2 Drawers, 3"H 3 Drawers, 6"H
E0224	Worksurface, Computer, O/H Cab, Wall Mtd, 60" W	1	V V	Typically includes: 3 Vertical Hanging Strips 2 Lockable Flipper Units 2 Shelves, Storage/Display 2 Lights 1 Tack board 2 Tool Rails 2 Paper Trays 1 Diagonal Tray 1 Cantilevered Work Surface 1 Adjustable Keyboard Tray 1 Stationary Pedestal, Box/Box/File
F0205	Chair, Side With Arms	1	V V	Upholstered side chair, 32" high X 21" wide X 23" deep with arms, padded seats and padded backs. Seat height is a minimum of 17". Available with or without sled base.
F0340	Stool, Self Adjusting	1	V V	Self adjusting stool. Consists of a foam padded upholstered seat with attached foot rest for added comfort. Mounted on swivel casters. Designed for doctor's use during examinations.
F2010	Basket, Wastepaper, Step-On	1	V V	"Step-on" wastepaper basket with inner liner and foot pedal activated flip top.
F3200	Clock, Battery, 12" Diameter	1	V V	Clock, 12" diameter. Round surface, easy to read numbers with sweep second hand. Wall mounted unit for use when impractical to install a fully synchronized clock system. Battery operated, (batteries not included).

**VISUAL FIELDS ROOM, OPTOMETRY (OPVF2)****Room Content List**

JSN	NAME	QTY	ACQ/INA	DESCRIPTION
M1800	Flat Panel Monitor	1	V V	A flat panel display is a television, monitor or other display appliance that uses a thin panel design instead of a traditional cathode ray tube (CRT) design. These screens are much lighter and thinner, and can be much more portable than traditional televisions and monitors. They also have higher resolution than older models.
M1801	Computer, Microprocessing, w/Flat Panel Monitor	1	V V	Desk top microprocessing computer. The unit shall consist of a central processing mini tower, flat panel monitor, keyboard, mouse and speakers. The computer is used throughout the facility to input, manipulate and retrieve information.
M1825	Printer, Computer	1	V V	High resolution computer printer with a variety of type styles and sheet/envelope feeder trays. Database information reflects network ready, medium duty office style laser printers.
M5025	Table, Instrument, Ophthalmic, Adjustable	1	V V	Ophthalmic adjustable instrument table. Four toed pedestal type base with foot pedal brake or hand operated clamp for securing table adjustment. Designed for use with slit lamp, ophthalmometer, perimeter and screening instruments.
M5520	Lensometer, Automatic	1	V V	Lensometer. Unit includes lamps, prism measuring lens marking device, cylinder axis wheel calibrated in two 180 degree segments and a green filter for tinted glass. The instrument may be inclined between 25 to 90 degrees. Used for measuring lens.
M5555	Perimeter, Automated	1	V V	Automated ophthalmic perimeter. Unit has on screen display for rapid and accurate alignment of patients automatic pupil size measurement, seven different fixation aids, ergonomic chin rest, several threshold strategies, and high target intensity.
M5700	Frame Set, Lens, Trial	1	V V	Trial lens frame set. Set consists of light weight and color-coded marked lenses, holding tray, and a complete assortment of other accessories. It is used to determine visual acuity. Set features horizontal and vertical bridge adjustments with individual adjustments for temple length and angle.
P3200	Lavatory, Vitreous China, Slab Type w/ Sens Op Fauc	1	C C	Wall mounted, slab type, vitreous china, lavatory (approximately 7 x 15 x 10 inches) with faucet holes on 4 inch centers; electronic sensor operated, goose neck spout and grid strainer. It shall be suitable for use in clinics, offices and patient care areas.

**VISUAL FIELDS ROOM, OPTOMETRY (OPVF2)****Room Content List**

<b>JSN</b>	<b>NAME</b>	<b>QTY</b>	<b>ACQ/INA</b>	<b>DESCRIPTION</b>
UXXX3 A5048	Safe, Medication	1	V V	A wall-mounted 1.2 cu.ft. all steel safe with electronic lock, used for the secure storage of medications needed during patient examination / treatment.
UXXX5 M5525	Lensometer, Manual	1	V V	Manual Lensometer. Unit includes lamps, prism measuring lens marking device, cylinder axis wheel calibrated in two 180 degree segments and a green filter for tinted glass. The instrument may be inclined between 25 to 90 degrees. Used for measuring lens.



**VISUAL FIELDS ROOM, OPHTHALMOLOGY (OPVF1)**  
**VISUAL FIELDS ROOM, OPTOMETRY (OPVF2)**  
**Room Data Sheet**

**ARCHITECTURAL**

Ceiling:	AT
Ceiling Height:	9'-0"
Wall Finish:	Paint
Base:	RB
Floor Finish:	LVT
Door:	
Hardware	1L

**Glazing:**

**LIGHTING**

Maintained Average Illumination-Ambient:	500 Lux (50 FC)
Maintained Average Illumination-Examination of Outer Eye:	1000 Lux (100 FC)
Maintained Average Illumination-Reading & Color Vision Test:	500 Lux (50 FC)

- General:**
1. Dimmable 2' x 4' Fluorescent or LED Light Fixture. See Lighting Manual for illumination, color temperature, and color rendering levels .
  2. Dimmable Fluorescent or LED can light. Provide switching and dimming to provide various light levels.

**POWER**

**Normal Power:** To be connected to selected receptacles and equipment as shown.

**Emergency Power:** As determined by the Facility.

- Notes:**
1. Emergency Power shown is minimum. Exact number of emergency power receptacles and equipment connections to be determined on a project specific basis.
  2. Coordinate electrical requirements with specific equipment.

**COMMUNICATIONS/SPECIAL SYSTEMS**

Data:	Yes
Telephone:	Yes
Cable Television:	No
Duress Alarm	No
Electronic Access and Door Control:	No
Intercom:	No
Motion Intrusion Detection (MID):	No
Nurse Call:	No
Code Blue:	No
Public Address:	No
Security Surveillance Television (SSTV):	No
VA Satellite TV:	No
Video Conferencing (VTEL):	No
Battery Operated Clock	Yes
In Use Light:	No

**HEATING, VENTILATING AND AIR CONDITIONING**

Dry Bulb Temp Cooling:	Refer to HVAC Design Manual
Dry Bulb Temp Heating:	Refer to HVAC Design Manual
Minimum % Outside Air:	Refer to HVAC Design Manual
100% Exhaust Air:	N/A
Noise Criteria:	Refer to HVAC Design Manual
Steam:	N/A
Relative Humidity/Cooling:	Refer to HVAC Design Manual
Relative Humidity/Heating:	Refer to HVAC Design Manual
Minimum Air Changes/Hr.:	Refer to HVAC Design Manual
Room Pressure:	Refer to HVAC Design Manual
AC Load Lights:	As Required
AC Load Equipment:	As Required
Number of People:	2
Special Equipment:	N/A

**PLUMBING AND MEDICAL GASES**

Cold Water:	Yes
Hot Water:	Yes
Laboratory Air:	No
Laboratory Vacuum:	No
Sanitary/Vent:	Yes
Medical Air:	No
Medical Vacuum:	No
Oxygen:	No
Nitrogen Oxide:	No
Nitrogen	No
Anesthesia Evac:	No
Sprinkler:	Yes
Tempered Water:	No
Water Control:	No

**SPECIAL EQUIPMENT**

See Room Content List

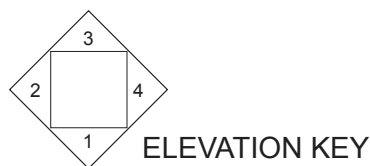
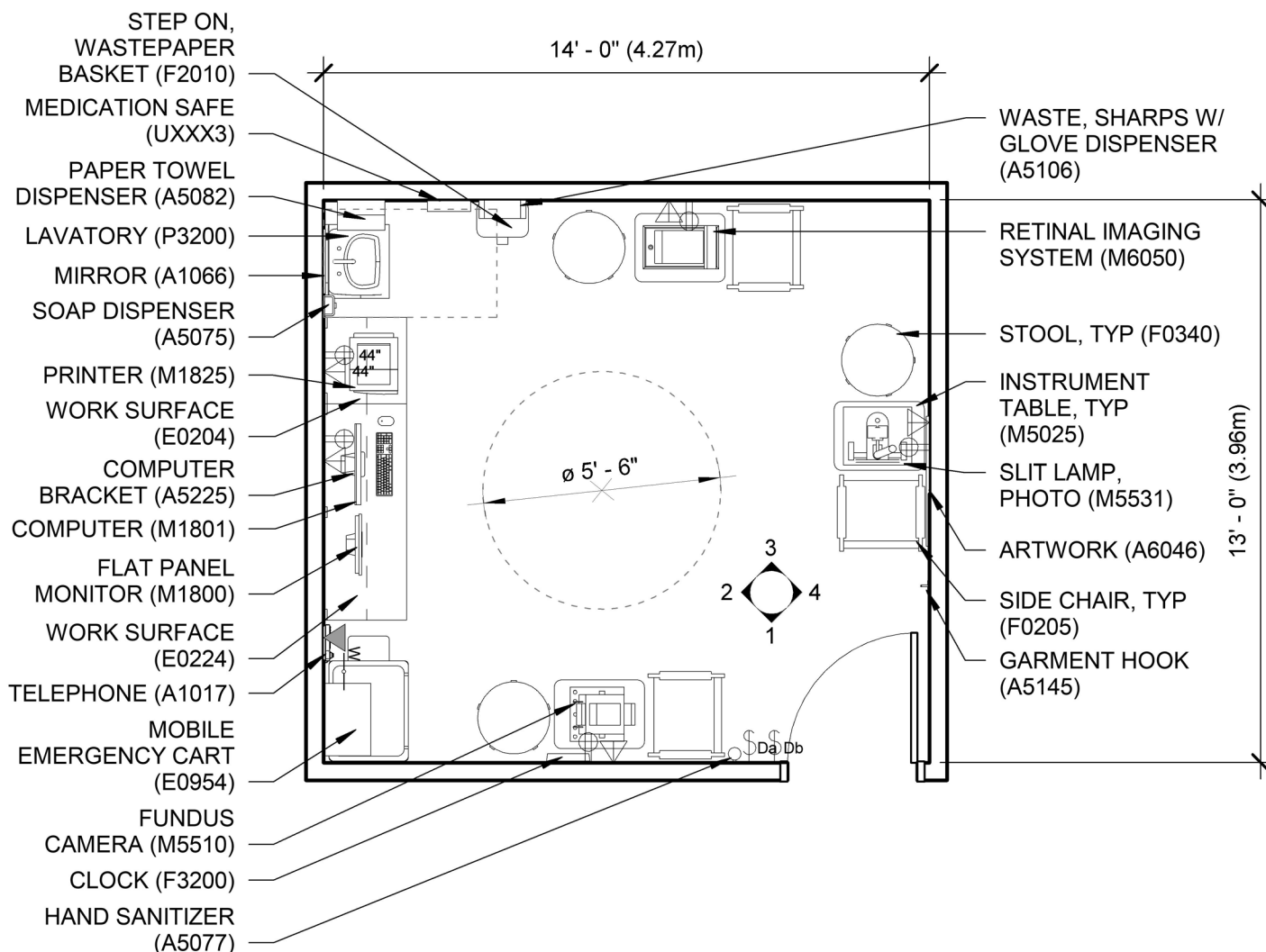
THIS PAGE INTENTIONALLY LEFT BLANK



PHOTOGRAPHY ROOM, OPHTHALMOLOGY (OPPH1)  
PHOTOGRAPHY ROOM, OPTOMETRY (OPPH2)

NOTE: Design Plates are graphical representations of selected room types, illustrating the integration of space, components, systems, and equipment. They provide typical configurations and general technical guidance, and are not intended to be project specific. Specific infrastructure design requirements are contained in VA Design Manuals and Space Planning Criteria located in the VA Technical Information Library.

THIS PAGE INTENTIONALLY LEFT BLANK



SCALE 1/4" = 1'-0"

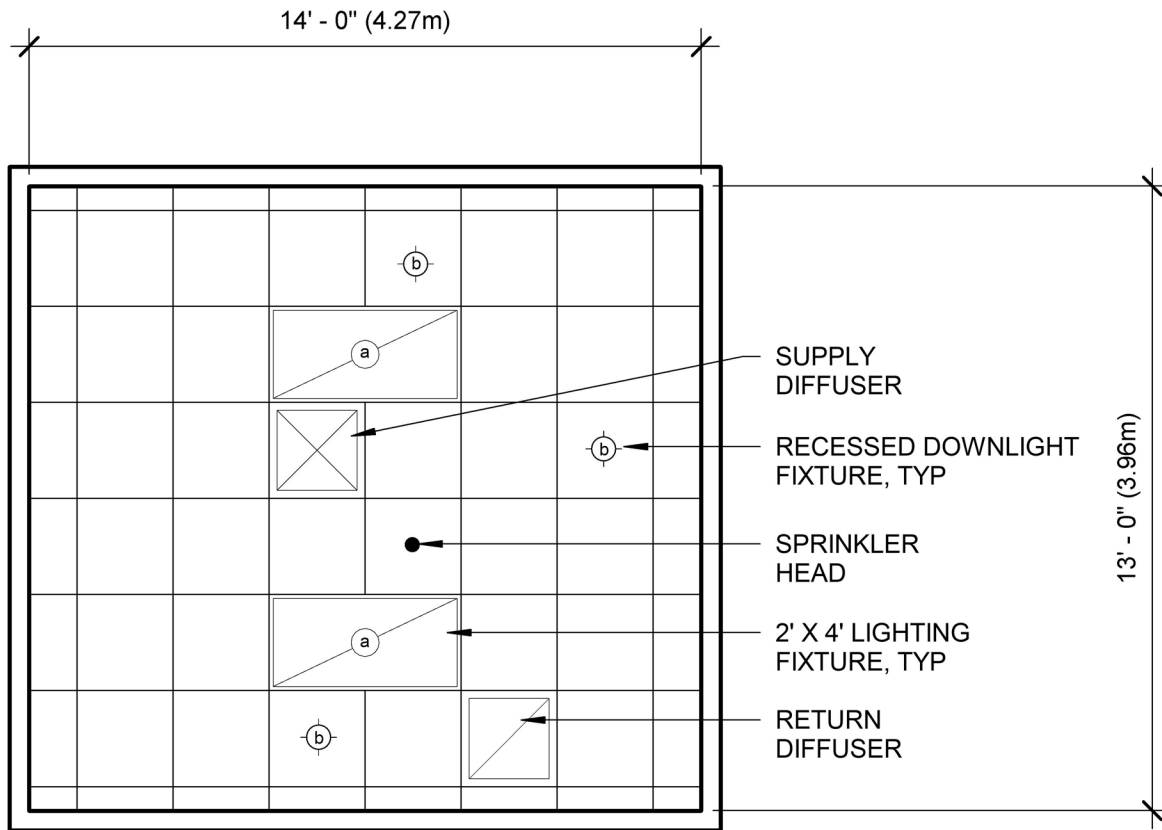
PHOTOGRAPHY ROOM, OPHTHALMOLOGY (OPPH1)  
PHOTOGRAPHY ROOM, OPTOMETRY (OPPH2)



Floor/Equipment Plan (185 NSF / 17.2 NSM)

NOTE: Design Plates are graphical representations of selected room types, illustrating the integration of space, components, systems, and equipment. They provide typical configurations and general technical guidance, and are not intended to be project specific. Specific infrastructure design requirements are contained in VA Design Manuals and Space Planning Criteria located in the VA Technical Information Library.

THIS PAGE INTENTIONALLY LEFT BLANK



PHOTOGRAPHY ROOM, OPHTHALMOLOGY (OPPH1)  
 PHOTOGRAPHY ROOM, OPTOMETRY (OPPH2)

SCALE 1/4" = 1'-0"

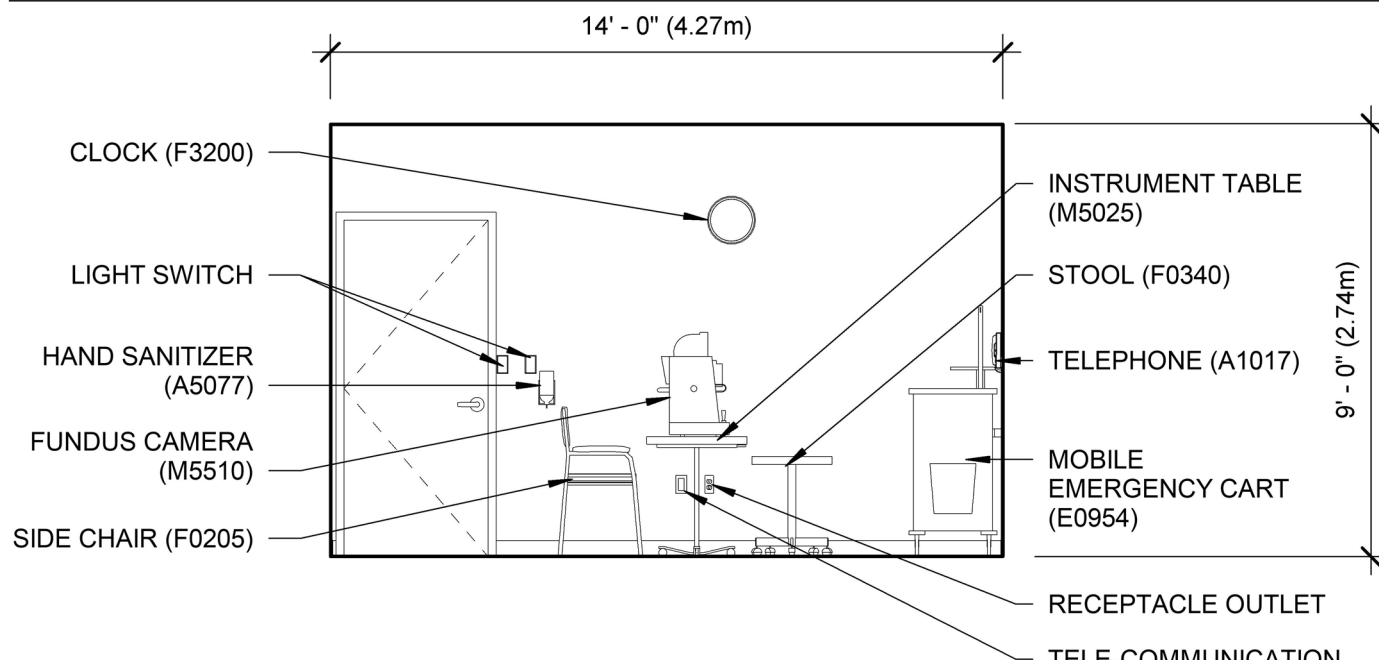


Reflected Ceiling Plan

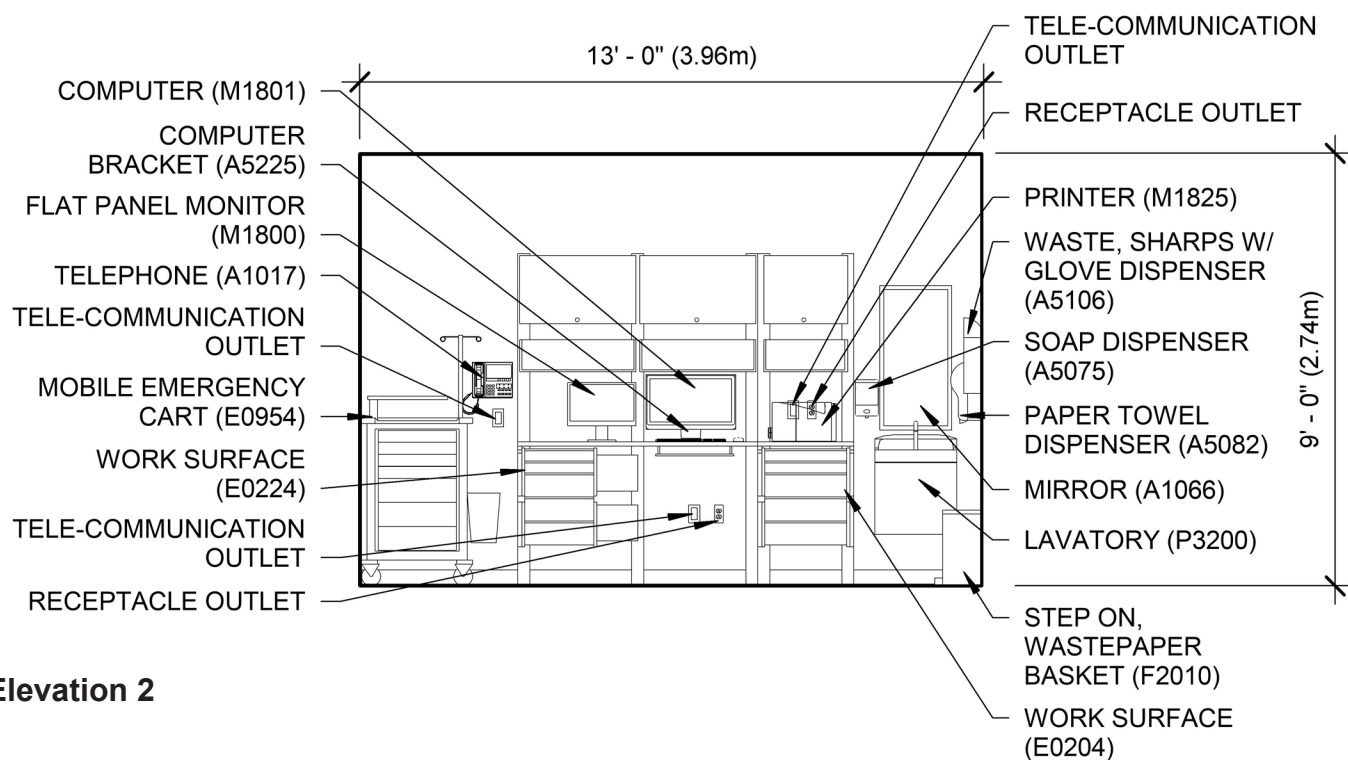
NOTE: Design Plates are graphical representations of selected room types, illustrating the integration of space, components, systems, and equipment. They provide typical configurations and general technical guidance, and are not intended to be project specific. Specific infrastructure design requirements are contained in VA Design Manuals and Space Planning Criteria located in the VA Technical Information Library.

THIS PAGE INTENTIONALLY LEFT BLANK





**Elevation 1**



**Elevation 2**

PHOTOGRAPHY ROOM, OPHTHALMOLOGY (OPPH1)  
 PHOTOGRAPHY ROOM, OPTOMETRY (OPPH2)

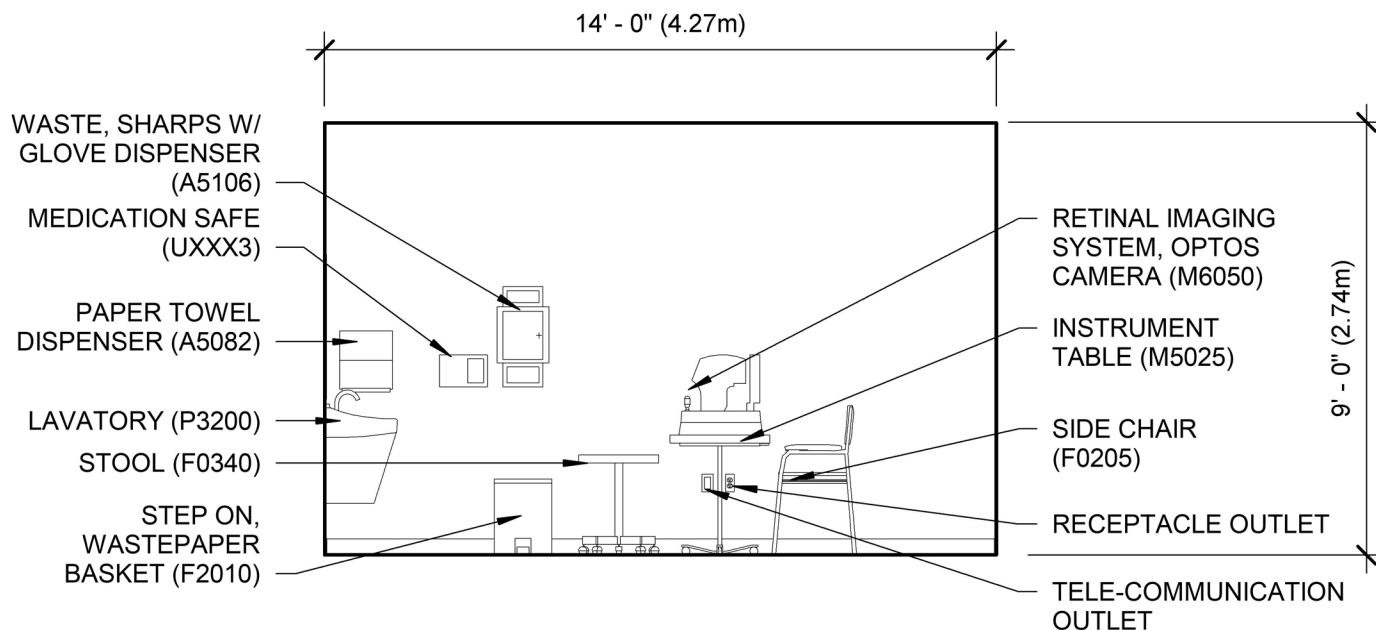
SCALE 1/4" = 1'-0"



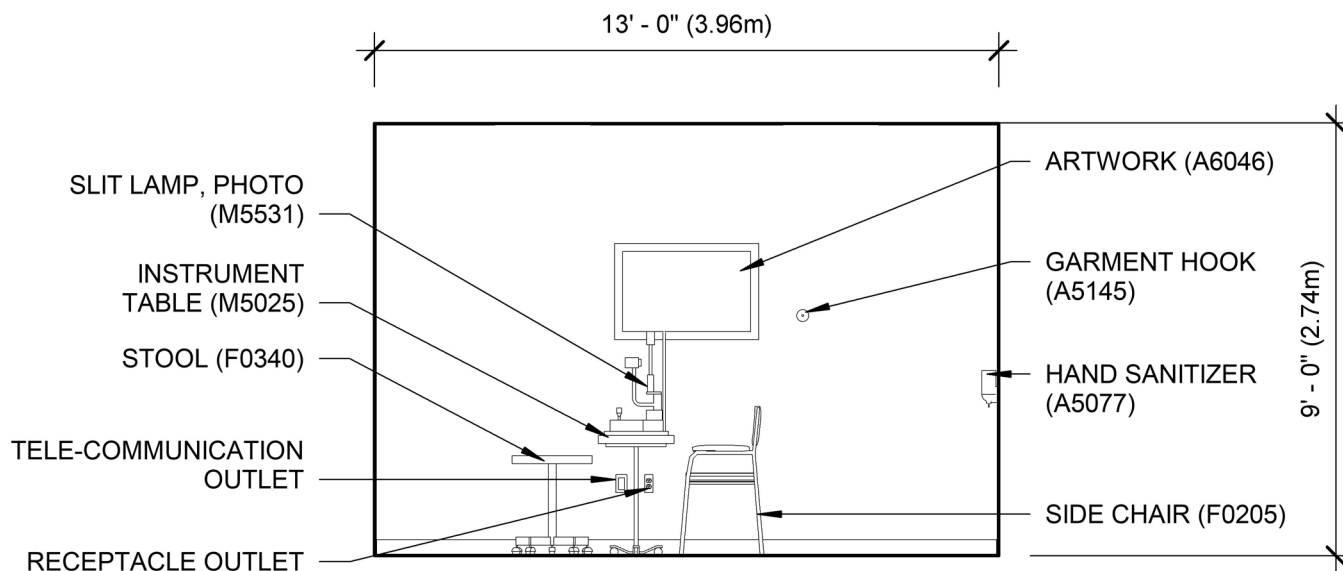
ELEVATIONS

NOTE: Design Plates are graphical representations of selected room types, illustrating the integration of space, components, systems, and equipment. They provide typical configurations and general technical guidance, and are not intended to be project specific. Specific infrastructure design requirements are contained in VA Design Manuals and Space Planning Criteria located in the VA Technical Information Library.

THIS PAGE INTENTIONALLY LEFT BLANK



**Elevation 3**



**Elevation 4**

PHOTOGRAPHY ROOM, OPHTHALMOLOGY (OPPH1)  
 PHOTOGRAPHY ROOM, OPTOMETRY (OPPH2)

SCALE 1/4" = 1'-0"



ELEVATIONS

NOTE: Design Plates are graphical representations of selected room types, illustrating the integration of space, components, systems, and equipment. They provide typical configurations and general technical guidance, and are not intended to be project specific. Specific infrastructure design requirements are contained in VA Design Manuals and Space Planning Criteria located in the VA Technical Information Library.

THIS PAGE INTENTIONALLY LEFT BLANK

**PHOTOGRAPHY ROOM, OPHTHALMOLOGY (OPPH1)****Room Content List**

JSN	NAME	QTY	ACQ/INA	DESCRIPTION
A1010	Telecommunication Outlet	2	V V	Telecommunication outlet location.
A1017	Telephone, Wall Mounted, Multi-Line, With Speaker	1	V V	Telephone, wall mounted, multi-line with speaker.
A1066	Mirror, Float Glass, With SS Frame	1	C C	A high quality 1/4" polished float glass mirror 36X18, framed in a one-piece, bright polished, stainless steel channel frame with 90° mitered corners. All edges of the mirror are protected by absorbing filler strips. Mirror has a galvanized steel back with integral horizontal hanging brackets and wall hanger for concealed mounting. For mounting above single wall mounted lavatories located in toilet areas, Doctors examination offices, etc. May also be used above double lavatories, either wall or countertop mounted, found in restroom areas.
A5075	Dispenser, Soap, Disposable	1	V V	Disposable soap dispenser. One-handed dispensing operation. Designed to accommodate disposable soap cartridge and valve.
A5077	Dispenser, Hand Sanitizer, Hands-Free	1	V V	A touch free wall-mounted hand sanitizer dispenser. For use throughout a healthcare facility. Unit does not include the sanitizing liquid. Units are battery operated.
A5082	Dispenser, Paper Towel, Sensor, Hands Free	1	C C	A surface mounted, sensor activated, automatic, roll paper towel dispenser. The unit dispenses a paper towel automatically only when hands are placed in position below the dispenser for maximum sanitation and hygiene. May include adjustable settings for sheet length, time delay, and sensor range. Unit is battery operated or with optional AC power adapter.
A5106	Waste Disposal Unit, Sharps w/Glove Dispenser	1	V V	The unit is designed for the disposal of sharps and complies with OSHA guidelines for the handling of sharps. It shall house a 5 quart container and be capable of being mounted on a wall. It shall have a glove dispenser attached. The unit shall be secured by a locked enclosure.
A5145	Hook, Garment, Double, SS, Surface Mounted	1	C C	A surface mounted, satin finish stainless steel, double garment hook. Equipped with a concealed mounting bracket that is secured to a concealed wall plate. For general purpose use throughout the facility to hang various items of apparel.

**PHOTOGRAPHY ROOM, OPHTHALMOLOGY (OPPH1)****Room Content List**

JSN	NAME	QTY	ACQ/INA	DESCRIPTION
A5225	Bracket, Dual Computer Monitor, Desk-Mounted	1	V V	Desk-mounted bracket that supports two LCD computer monitors, or laptop and monitor configuration. Extends LCD's or laptop up to 25" with an adjustment range of 18". Desk clamp attaches to edge up to 2.6" thick. Maximum combined weight supported not to exceed 50 lbs.
A6046	Artwork, Decorative, With Frame	1	V V	Decorative Artwork. Final selection and location to be done at the project level.
E0204	Worksurface, w/Overhd Cab & Drwrs, Wall Mtd, 24" W	1	V V	Typically includes: 2 Vertical Hanging Strips 1 Lockable Flipper Unit 1 Shelf, Storage/Display 1 Light 1 Cantilevered Work Surface 2 Storage Frames 2 Drawers, 3"H 3 Drawers, 6"H
E0224	Worksurface, Computer, O/H Cab, Wall Mtd, 60" W	1	V V	Typically includes: 3 Vertical Hanging Strips 2 Lockable Flipper Units 2 Shelves, Storage/Display 2 Lights 1 Tack board 2 Tool Rails 2 Paper Trays 1 Diagonal Tray 1 Cantilevered Work Surface 1 Adjustable Keyboard Tray 1 Stationary Pedestal, Box/Box/File
E0954	Cart, Emergency, Mobile, 66"H x 32"W x 22"D	1	V V	Typically includes: 1 Cart body, style-A narrow, w/raised edge top 1 Accessory rail, side 1 Accessory rail, back 1 Defibrillator tray 1 IV pole 1 Breakaway bar 1 Flip-up shelf 1 Wastebasket 1 Oxygen tank holder 1 Electrical box-4 outlet 1 Cord wrap 4 Drawer, 3"H 3 Drawer, 6"H Drawer organizer bins.
F0205	Chair, Side With Arms	3	V V	Upholstered side chair, 32" high X 21" wide X 23" deep with arms, padded seats and padded backs. Seat height is a minimum of 17". Available with or without sled base.

**PHOTOGRAPHY ROOM, OPHTHALMOLOGY (OPPH1)****Room Content List**

JSN	NAME	QTY	ACQ/INA	DESCRIPTION
F0340	Stool, Self Adjusting	3	V V	Self adjusting stool. Consists of a foam padded upholstered seat with attached foot rest for added comfort. Mounted on swivel casters. Designed for doctor's use during examinations.
F2010	Basket, Wastepaper, Step-On	1	V V	"Step-on" wastepaper basket with inner liner and foot pedal activated flip top.
F3200	Clock, Battery, 12" Diameter	1	V V	Clock, 12" diameter. Round surface, easy to read numbers with sweep second hand. Wall mounted unit for use when impractical to install a fully synchronized clock system. Battery operated, (batteries not included).
M1800	Flat Panel Monitor	1	V V	A flat panel display is a television, monitor or other display appliance that uses a thin panel design instead of a traditional cathode ray tube (CRT) design. These screens are much lighter and thinner, and can be much more portable than traditional televisions and monitors. They also have higher resolution than older models.
M1801	Computer, Microprocessing, w/Flat Panel Monitor	1	V V	Desk top microprocessing computer. The unit shall consist of a central processing mini tower, flat panel monitor, keyboard, mouse and speakers. The computer is used throughout the facility to input, manipulate and retrieve information.
M1825	Printer, Computer	1	V V	High resolution computer printer with a variety of type styles and sheet/envelope feeder trays. Database information reflects network ready, medium duty office style laser printers.
M5025	Table, Instrument, Ophthalmic, Adjustable	3	V V	Ophthalmic adjustable instrument table. Four toed pedestal type base with foot pedal brake or hand operated clamp for securing table adjustment. Designed for use with slit lamp, ophthalmometer, perimeter and screening instruments.
M5510	Camera, Fundus, Digital	1	V V	The digital fundus camera system is designed for use in diagnosing and recording ocular disorders. It shall consist of a digital imager, computer, monitor, chin rest, joy stick and software to record, store, edit and print digital images. The system may also include a system table and an adjustable patient table.

**PHOTOGRAPHY ROOM, OPHTHALMOLOGY (OPPH1)****Room Content List**

JSN	NAME	QTY	ACQ/INA	DESCRIPTION
M5531	Lamp, Slit, Photographic w/Tonometer	1	V V	Slit lamp with applanation tonometer. Unit consists of a base mounted ophthalmological slit lamp, with head and chin rest and manual height and focusing adjustments. The instrument also features a microscope head with parallel optics that will accept an applanation tonometer. For use in ophthalmology during diagnostic examinations. Unit to be supplied with appropriate beam splitter, 35 mm camera back, camera interface, enhanced illumination and illumination controls to permit photographs of the visual field to be obtained. Optional video/digital available.
M6050	Retinal Imaging System, Fluorescein/Indocyanine	1	V V	Digital camera system for conducting fluorescing and indocyanine green studies of the choroid of the retina. The infrared sensitive camera has interchangeable barrier and exciter filters for the different dyes. The camera transmits images to a high resolution computer system and monitors for viewing, analysis, enhancement, manipulation, recording and color printing. Database reflects pricing and physical characteristics for the entire system with its required computer.
P3200	Lavatory, Vitreous China, Slab Type w/ Sens Op Fauc	1	C C	Wall mounted, slab type, vitreous china, lavatory (approximately 7 x 15 x 10 inches) with faucet holes on 4 inch centers; electronic sensor operated, goose neck spout and grid strainer. It shall be suitable for use in clinics, offices and patient care areas.
UXXX3 A5048	Safe, Medication	1	V V	A wall-mounted 1.2 cu.ft. all steel safe with electronic lock, used for the secure storage of medications needed during patient examination / treatment.



**PHOTOGRAPHY ROOM, OPTOMETRY (OPPH2)****Room Content List**

JSN	NAME	QTY	ACQ/INA	DESCRIPTION
A1010	Telecommunication Outlet	2	V V	Telecommunication outlet location.
A1017	Telephone, Wall Mounted, Multi-Line, With Speaker	1	V V	Telephone, wall mounted, multi-line with speaker.
A1066	Mirror, Float Glass, With SS Frame	1	C C	A high quality 1/4" polished float glass mirror 36X18, framed in a one-piece, bright polished, stainless steel channel frame with 90° mitered corners. All edges of the mirror are protected by absorbing filler strips. Mirror has a galvanized steel back with integral horizontal hanging brackets and wall hanger for concealed mounting. For mounting above single wall mounted lavatories located in toilet areas, Doctors examination offices, etc. May also be used above double lavatories, either wall or countertop mounted, found in restroom areas.
A5075	Dispenser, Soap, Disposable	1	V V	Disposable soap dispenser. One-handed dispensing operation. Designed to accommodate disposable soap cartridge and valve.
A5077	Dispenser, Hand Sanitizer, Hands-Free	1	V V	A touch free wall-mounted hand sanitizer dispenser. For use throughout a healthcare facility. Unit does not include the sanitizing liquid. Units are battery operated.
A5082	Dispenser, Paper Towel, Sensor, Hands Free	1	C C	A surface mounted, sensor activated, automatic, roll paper towel dispenser. The unit dispenses a paper towel automatically only when hands are placed in position below the dispenser for maximum sanitation and hygiene. May include adjustable settings for sheet length, time delay, and sensor range. Unit is battery operated or with optional AC power adapter.
A5106	Waste Disposal Unit, Sharps w/Glove Dispenser	1	V V	The unit is designed for the disposal of sharps and complies with OSHA guidelines for the handling of sharps. It shall house a 5 quart container and be capable of being mounted on a wall. It shall have a glove dispenser attached. The unit shall be secured by a locked enclosure.
A5145	Hook, Garment, Double, SS, Surface Mounted	1	C C	A surface mounted, satin finish stainless steel, double garment hook. Equipped with a concealed mounting bracket that is secured to a concealed wall plate. For general purpose use throughout the facility to hang various items of apparel.

**PHOTOGRAPHY ROOM, OPTOMETRY (OPPH2)****Room Content List**

JSN	NAME	QTY	ACQ/INA	DESCRIPTION
A5225	Bracket, Dual Computer Monitor, Desk-Mounted	1	V V	Desk-mounted bracket that supports two LCD computer monitors, or laptop and monitor configuration. Extends LCD's or laptop up to 25" with an adjustment range of 18". Desk clamp attaches to edge up to 2.6" thick. Maximum combined weight supported not to exceed 50 lbs.
A6046	Artwork, Decorative, With Frame	1	V V	Decorative Artwork. Final selection and location to be done at the project level.
E0204	Worksurface, w/Overhd Cab & Drwrs, Wall Mtd, 24" W	1	V V	Typically includes: 2 Vertical Hanging Strips 1 Lockable Flipper Unit 1 Shelf, Storage/Display 1 Light 1 Cantilevered Work Surface 2 Storage Frames 2 Drawers, 3"H 3 Drawers, 6"H
E0224	Worksurface, Computer, O/H Cab, Wall Mtd, 60" W	1	V V	Typically includes: 3 Vertical Hanging Strips 2 Lockable Flipper Units 2 Shelves, Storage/Display 2 Lights 1 Tack board 2 Tool Rails 2 Paper Trays 1 Diagonal Tray 1 Cantilevered Work Surface 1 Adjustable Keyboard Tray 1 Stationary Pedestal, Box/Box/File
E0954	Cart, Emergency, Mobile, 66"H x 32"W x 22"D	1	V V	Typically includes: 1 Cart body, style-A narrow, w/raised edge top 1 Accessory rail, side 1 Accessory rail, back 1 Defibrillator tray 1 IV pole 1 Breakaway bar 1 Flip-up shelf 1 Wastebasket 1 Oxygen tank holder 1 Electrical box-4 outlet 1 Cord wrap 4 Drawer, 3"H 3 Drawer, 6"H Drawer organizer bins.
F0205	Chair, Side With Arms	3	V V	Upholstered side chair, 32" high X 21" wide X 23" deep with arms, padded seats and padded backs. Seat height is a minimum of 17". Available with or without sled base.

**PHOTOGRAPHY ROOM, OPTOMETRY (OPPH2)****Room Content List**

JSN	NAME	QTY	ACQ/INA	DESCRIPTION
F0340	Stool, Self Adjusting	3	V V	Self adjusting stool. Consists of a foam padded upholstered seat with attached foot rest for added comfort. Mounted on swivel casters. Designed for doctor's use during examinations.
F2010	Basket, Wastepaper, Step-On	1	V V	"Step-on" wastepaper basket with inner liner and foot pedal activated flip top.
F3200	Clock, Battery, 12" Diameter	1	V V	Clock, 12" diameter. Round surface, easy to read numbers with sweep second hand. Wall mounted unit for use when impractical to install a fully synchronized clock system. Battery operated, (batteries not included).
M1800	Flat Panel Monitor	1	V V	A flat panel display is a television, monitor or other display appliance that uses a thin panel design instead of a traditional cathode ray tube (CRT) design. These screens are much lighter and thinner, and can be much more portable than traditional televisions and monitors. They also have higher resolution than older models.
M1801	Computer, Microprocessing, w/Flat Panel Monitor	1	V V	Desk top microprocessing computer. The unit shall consist of a central processing mini tower, flat panel monitor, keyboard, mouse and speakers. The computer is used throughout the facility to input, manipulate and retrieve information.
M1825	Printer, Computer	1	V V	High resolution computer printer with a variety of type styles and sheet/envelope feeder trays. Database information reflects network ready, medium duty office style laser printers.
M5025	Table, Instrument, Ophthalmic, Adjustable	3	V V	Ophthalmic adjustable instrument table. Four toed pedestal type base with foot pedal brake or hand operated clamp for securing table adjustment. Designed for use with slit lamp, ophthalmometer, perimeter and screening instruments.
M5510	Camera, Fundus, Digital	1	V V	The digital fundus camera system is designed for use in diagnosing and recording ocular disorders. It shall consist of a digital imager, computer, monitor, chin rest, joy stick and software to record, store, edit and print digital images. The system may also include a system table and an adjustable patient table.

**PHOTOGRAPHY ROOM, OPTOMETRY (OPPH2)****Room Content List**

JSN	NAME	QTY	ACQ/INA	DESCRIPTION
M5531	Lamp, Slit, Photographic w/Tonometer	1	V V	Slit lamp with applanation tonometer. Unit consists of a base mounted ophthalmological slit lamp, with head and chin rest and manual height and focusing adjustments. The instrument also features a microscope head with parallel optics that will accept an applanation tonometer. For use in ophthalmology during diagnostic examinations. Unit to be supplied with appropriate beam splitter, 35 mm camera back, camera interface, enhanced illumination and illumination controls to permit photographs of the visual field to be obtained. Optional video/digital available.
M6050	Retinal Imaging System, Fluorescein/Indocyanine	1	V V	Digital camera system for conducting fluorescing and indocyanine green studies of the choroid of the retina. The infrared sensitive camera has interchangeable barrier and exciter filters for the different dyes. The camera transmits images to a high resolution computer system and monitors for viewing, analysis, enhancement, manipulation, recording and color printing. Database reflects pricing and physical characteristics for the entire system with its required computer.
P3200	Lavatory, Vitreous China, Slab Type w/ Sens Op Fauc	1	C C	Wall mounted, slab type, vitreous china, lavatory (approximately 7 x 15 x 10 inches) with faucet holes on 4 inch centers; electronic sensor operated, goose neck spout and grid strainer. It shall be suitable for use in clinics, offices and patient care areas.
UXXX3 A5048	Safe, Medication	1	V V	A wall-mounted 1.2 cu.ft. all steel safe with electronic lock, used for the secure storage of medications needed during patient examination / treatment.

**PHOTOGRAPHY ROOM, OPHTHALMOLOGY (OPPH1)**  
**PHOTOGRAPHY ROOM, OPTOMETRY (OPPH2)**  
**Room Data Sheet**

**ARCHITECTURAL**

Ceiling:	AT
Ceiling Height:	9'-0"
Wall Finish:	Paint
Base:	RB
Floor Finish:	LVT
Door:	
Hardware	1L

**Glazing:**

**LIGHTING**

Maintained Average Illumination-Ambient:	500 Lux (50 FC)
Maintained Average Illumination-Examination of Outer Eye:	1000 Lux (100 FC)
Maintained Average Illumination-Reading & Color Vision Test:	500 Lux (50 FC)

- General:**
1. Dimmable 2' x 4' Fluorescent or LED Light Fixture. See Lighting Manual for illumination, color temperature, and color rendering levels .
  2. Dimmable Fluorescent or LED can light. Provide switching and dimming to provide various light levels.

**POWER**

**Normal Power:** To be connected to selected receptacles and equipment as shown.

**Emergency Power:** As determined by the Facility.

- Notes:**
1. Emergency Power shown is minimum. Exact number of emergency power receptacles and equipment connections to be determined on a project specific basis.
  2. Coordinate electrical requirements with specific equipment.

**COMMUNICATIONS/SPECIAL SYSTEMS**

Data:	Yes
Telephone:	Yes
Cable Television:	No
Duress Alarm	No
Electronic Access and Door Control:	No
Intercom:	No
Motion Intrusion Detection (MID):	No
Nurse Call:	No
Code Blue:	No
Public Address:	No
Security Surveillance Television (SSTV):	No
VA Satellite TV:	No
Video Teleconferencing (VTEL):	No
Battery Operated Clock	Yes
In Use Light:	No

**HEATING, VENTILATING AND AIR CONDITIONING**

Dry Bulb Temp Cooling:	Refer to HVAC Design Manual
Dry Bulb Temp Heating:	Refer to HVAC Design Manual
Minimum % Outside Air:	Refer to HVAC Design Manual
100% Exhaust Air:	N/A
Noise Criteria:	Refer to HVAC Design Manual
Steam:	N/A
Relative Humidity/Cooling:	Refer to HVAC Design Manual
Relative Humidity/Heating:	Refer to HVAC Design Manual
Minimum Air Changes/Hr.:	Refer to HVAC Design Manual
Room Pressure:	Refer to HVAC Design Manual
AC Load Lights:	As Required
AC Load Equipment:	As Required
Number of People:	6
Special Equipment:	N/A

**PLUMBING AND MEDICAL GASES**

Cold Water:	Yes
Hot Water:	Yes
Laboratory Air:	No
Laboratory Vacuum:	No
Sanitary/Vent:	Yes
Medical Air:	No
Medical Vacuum:	No
Oxygen:	No
Nitrogen Oxide:	No
Nitrogen	No
Anesthesia Evac:	No
Sprinkler:	Yes
Tempered Water:	No
Water Control:	No

**SPECIAL EQUIPMENT**

See Room Content List

THIS PAGE INTENTIONALLY LEFT BLANK

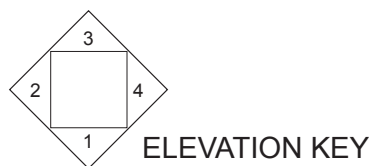
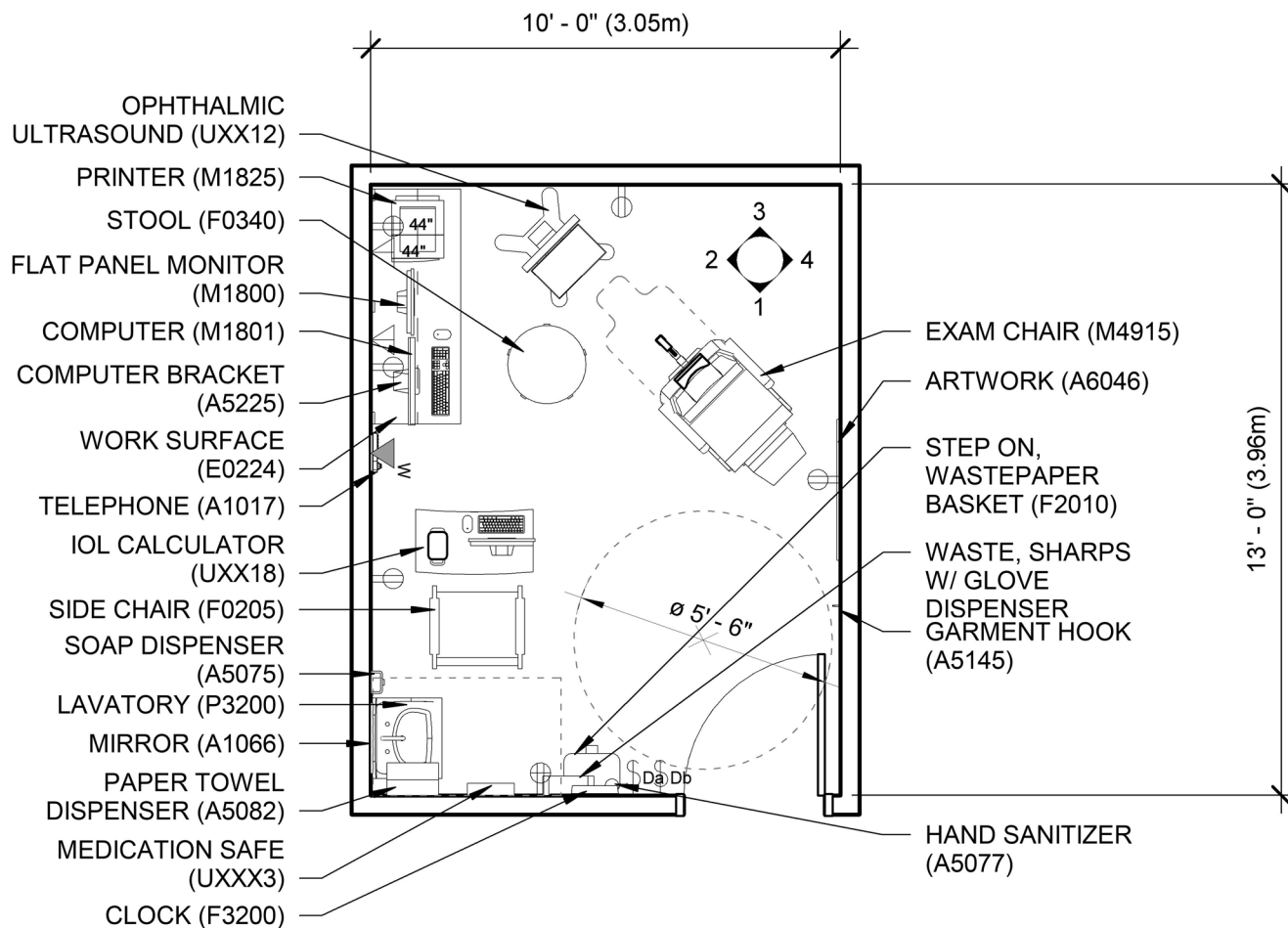


ULTRASOUND ROOM, OPHTHALMOLOGY (OPUS1)  
ULTRASOUND ROOM, OPTOMETRY (OPUS2)

NOTE: Design Plates are graphical representations of selected room types, illustrating the integration of space, components, systems, and equipment. They provide typical configurations and general technical guidance, and are not intended to be project specific. Specific infrastructure design requirements are contained in VA Design Manuals and Space Planning Criteria located in the VA Technical Information Library.

THIS PAGE INTENTIONALLY LEFT BLANK





SCALE 1/4" = 1'-0"

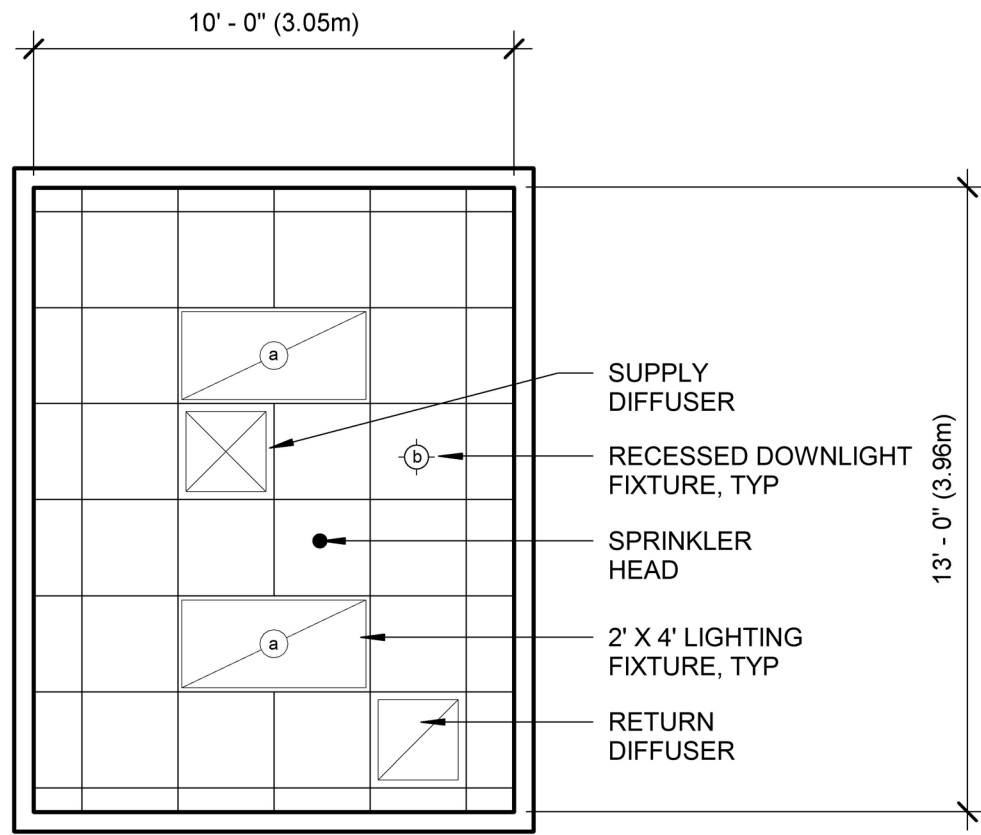
ULTRASOUND ROOM, OPHTHALMOLOGY (OPUS1)  
 ULTRASOUND ROOM, OPTOMETRY (OPUS2)



Floor/Equipment Plan (130 NSF / 12.1 NSM)

NOTE: Design Plates are graphical representations of selected room types, illustrating the integration of space, components, systems, and equipment. They provide typical configurations and general technical guidance, and are not intended to be project specific. Specific infrastructure design requirements are contained in VA Design Manuals and Space Planning Criteria located in the VA Technical Information Library.

THIS PAGE INTENTIONALLY LEFT BLANK



ULTRASOUND ROOM, OPHTHALMOLOGY (OPUS1)  
 ULTRASOUND ROOM, OPTOMETRY (OPUS2)

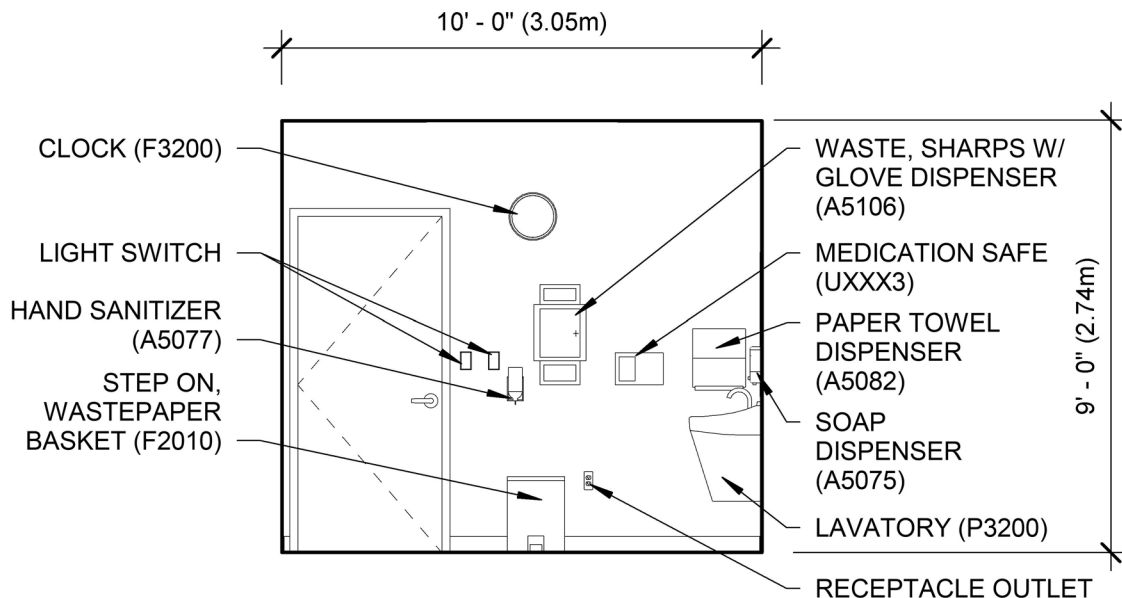
SCALE 1/4" = 1'-0"



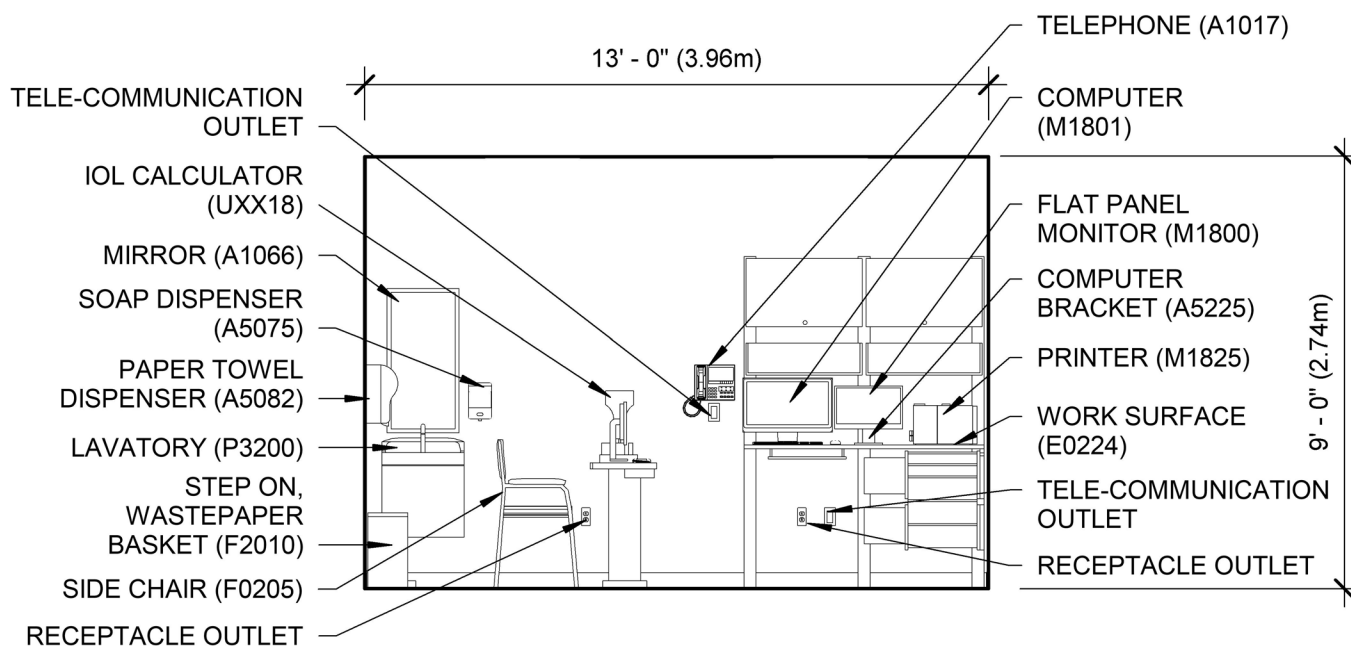
Reflected Ceiling Plan

NOTE: Design Plates are graphical representations of selected room types, illustrating the integration of space, components, systems, and equipment. They provide typical configurations and general technical guidance, and are not intended to be project specific. Specific infrastructure design requirements are contained in VA Design Manuals and Space Planning Criteria located in the VA Technical Information Library.

THIS PAGE INTENTIONALLY LEFT BLANK



**Elevation 1**



**Elevation 2**

ULTRASOUND ROOM, OPHTHALMOLOGY (OPUS1)  
ULTRASOUND ROOM, OPTOMETRY (OPUS2)

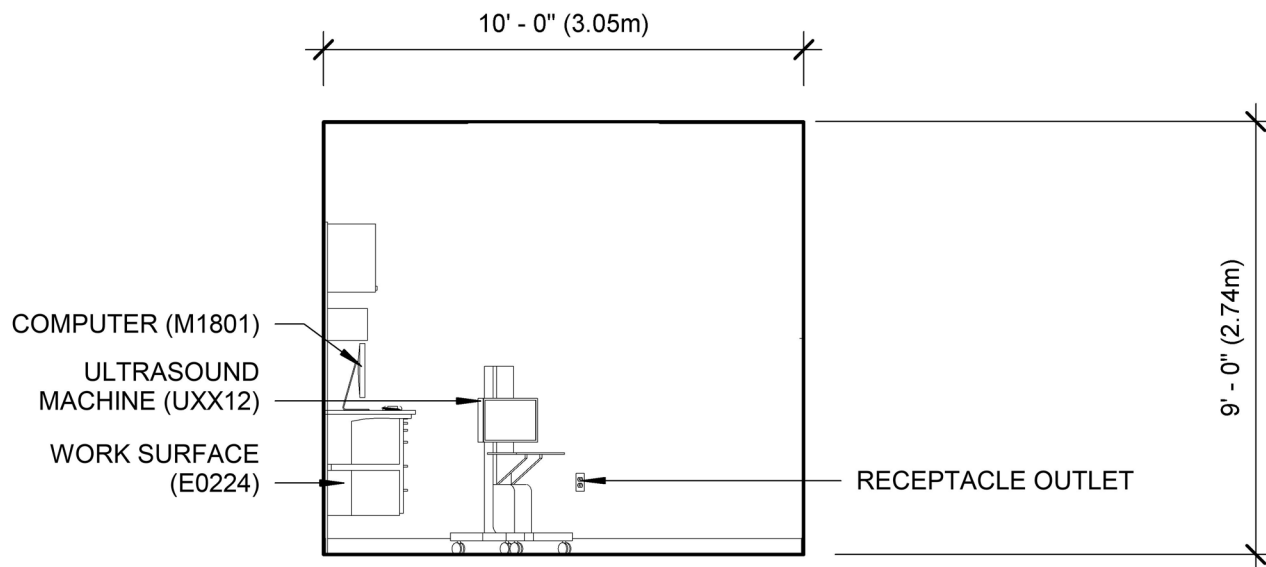
SCALE 1/4" = 1'-0"



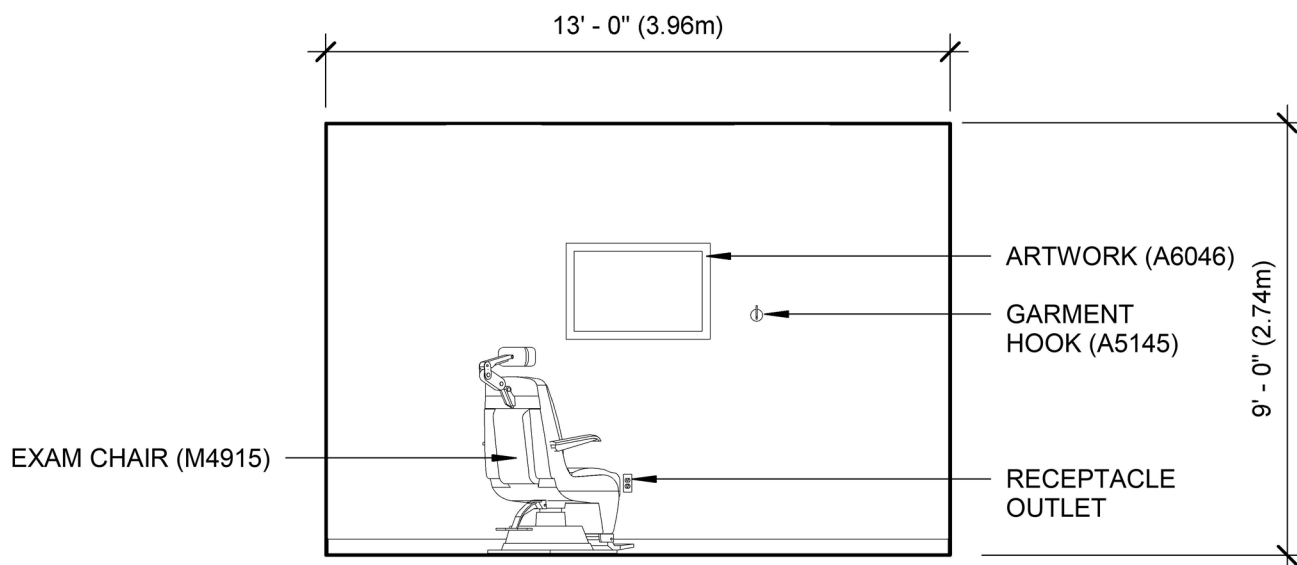
ELEVATIONS

NOTE: Design Plates are graphical representations of selected room types, illustrating the integration of space, components, systems, and equipment. They provide typical configurations and general technical guidance, and are not intended to be project specific. Specific infrastructure design requirements are contained in VA Design Manuals and Space Planning Criteria located in the VA Technical Information Library.

THIS PAGE INTENTIONALLY LEFT BLANK



**Elevation 3**



**Elevation 4**

ULTRASOUND ROOM, OPHTHALMOLOGY (OPUS1)  
 ULTRASOUND ROOM, OPTOMETRY (OPUS2)

SCALE 1/4" = 1'-0"



ELEVATIONS

NOTE: Design Plates are graphical representations of selected room types, illustrating the integration of space, components, systems, and equipment. They provide typical configurations and general technical guidance, and are not intended to be project specific. Specific infrastructure design requirements are contained in VA Design Manuals and Space Planning Criteria located in the VA Technical Information Library.

THIS PAGE INTENTIONALLY LEFT BLANK



**ULTRASOUND ROOM, OPHTHALMOLOGY (OPUS1)****Room Content List**

JSN	NAME	QTY	ACQ/INA	DESCRIPTION
A1010	Telecommunication Outlet	5	V V	Telecommunication outlet location.
A1017	Telephone, Wall Mounted, Multi-Line, With Speaker	1	V V	Telephone, wall mounted, multi-line with speaker.
A1066	Mirror, Float Glass, With SS Frame	1	C C	A high quality 1/4" polished float glass mirror 36X18, framed in a one-piece, bright polished, stainless steel channel frame with 90° mitered corners. All edges of the mirror are protected by absorbing filler strips. Mirror has a galvanized steel back with integral horizontal hanging brackets and wall hanger for concealed mounting. For mounting above single wall mounted lavatories located in toilet areas, Doctors examination offices, etc. May also be used above double lavatories, either wall or countertop mounted, found in restroom areas.
A5075	Dispenser, Soap, Disposable	1	V V	Disposable soap dispenser. One-handed dispensing operation. Designed to accommodate disposable soap cartridge and valve.
A5077	Dispenser, Hand Sanitizer, Hands-Free	1	V V	A touch free wall-mounted hand sanitizer dispenser. For use throughout a healthcare facility. Unit does not include the sanitizing liquid. Units are battery operated.
A5082	Dispenser, Paper Towel, Sensor, Hands Free	1	C C	A surface mounted, sensor activated, automatic, roll paper towel dispenser. The unit dispenses a paper towel automatically only when hands are placed in position below the dispenser for maximum sanitation and hygiene. May include adjustable settings for sheet length, time delay, and sensor range. Unit is battery operated or with optional AC power adapter.
A5106	Waste Disposal Unit, Sharps w/Glove Dispenser	1	V V	The unit is designed for the disposal of sharps and complies with OSHA guidelines for the handling of sharps. It shall house a 5 quart container and be capable of being mounted on a wall. It shall have a glove dispenser attached. The unit shall be secured by a locked enclosure.
A5145	Hook, Garment, Double, SS, Surface Mounted	1	C C	A surface mounted, satin finish stainless steel, double garment hook. Equipped with a concealed mounting bracket that is secured to a concealed wall plate. For general purpose use throughout the facility to hang various items of apparel.

**ULTRASOUND ROOM, OPHTHALMOLOGY (OPUS1)****Room Content List**

JSN	NAME	QTY	ACQ/INA	DESCRIPTION
A5225	Bracket, Dual Computer Monitor, Desk-Mounted	1	V V	Desk-mounted bracket that supports two LCD computer monitors, or laptop and monitor configuration. Extends LCD's or laptop up to 25" with an adjustment range of 18". Desk clamp attaches to edge up to 2.6" thick. Maximum combined weight supported not to exceed 50 lbs.
A6046	Artwork, Decorative, With Frame	1	V V	Decorative Artwork. Final selection and location to be done at the project level.
E0224	Worksurface, Computer, O/H Cab, Wall Mtd, 60" W	1	V V	Typically includes: 3 Vertical Hanging Strips 2 Lockable Flipper Units 2 Shelves, Storage/Display 2 Lights 1 Tack board 2 Tool Rails 2 Paper Trays 1 Diagonal Tray 1 Cantilevered Work Surface 1 Adjustable Keyboard Tray 1 Stationary Pedestal, Box/Box/File
F0205	Chair, Side With Arms	1	V V	Upholstered side chair, 32" high X 21" wide X 23" deep with arms, padded seats and padded backs. Seat height is a minimum of 17". Available with or without sled base.
F0340	Stool, Self Adjusting	1	V V	Self adjusting stool. Consists of a foam padded upholstered seat with attached foot rest for added comfort. Mounted on swivel casters. Designed for doctor's use during examinations.
F2010	Basket, Wastepaper, Step-On	1	V V	"Step-on" wastepaper basket with inner liner and foot pedal activated flip top.
F3200	Clock, Battery, 12" Diameter	1	V V	Clock, 12" diameter. Round surface, easy to read numbers with sweep second hand. Wall mounted unit for use when impractical to install a fully synchronized clock system. Battery operated, (batteries not included).
M1800	Flat Panel Monitor	1	V V	A flat panel display is a television, monitor or other display appliance that uses a thin panel design instead of a traditional cathode ray tube (CRT) design. These screens are much lighter and thinner, and can be much more portable than traditional televisions and monitors. They also have higher resolution than older models.

**ULTRASOUND ROOM, OPHTHALMOLOGY (OPUS1)****Room Content List**

JSN	NAME	QTY	ACQ/INA	DESCRIPTION
M1801	Computer, Microprocessing, w/Flat Panel Monitor	1	V V	Desk top microprocessing computer. The unit shall consist of a central processing mini tower, flat panel monitor, keyboard, mouse and speakers. The computer is used throughout the facility to input, manipulate and retrieve information.
M1825	Printer, Computer	1	V V	High resolution computer printer with a variety of type styles and sheet/envelope feeder trays. Database information reflects network ready, medium duty office style laser printers.
M4915	Chair, Exam/Treatment, ENT, w/ Adjustable Light	1	V V	ENT exam/treatment chair with adjustable light. Chair can be rotated 330 degrees locking at desired position. Unit is electrically powered for precise positioning and has an adjustable headrest and armrest. It may include an adjustable gooseneck light. Unit is designed for use during examinations, treatments, and minor procedures.
P3200	Lavatory, Vitreous China, Slab Type w/ Sens Op Fauc	1	C C	Wall mounted, slab type, vitreous china, lavatory (approximately 7 x 15 x 10 inches) with faucet holes on 4 inch centers; electronic sensor operated, goose neck spout and grid strainer. It shall be suitable for use in clinics, offices and patient care areas.
UXXX3 A5048	Safe, Medication	1	V V	A wall-mounted 1.2 cu.ft. all steel safe with electronic lock, used for the secure storage of medications needed during patient examination / treatment.
UXX12 X2112	Ophthalmic Ultrasound, A-B Scan	1	V V	A Scan: IOL power calculations and analysis: Holladay-I, SRK-T, Hoffer-Q, Movie sequence adjustable up to 5 seconds, 0 frames-per-second image acquisition rate B Scan: Four sets of electronic distance measurement calipers with variable velocity, Two sets of electronic angle measurement caliper, Text annotations, Movie sequence capture up to 20 seconds - real-time image viewing and movie editing capability.
UXX18 M6043	IOL Calculator	1	V V	Used to measure lens for cataract procedures. Provides user with a complete biometrical assessment of the patient's eye in a single measurement procedure, including lens thickness, anterior chamber depth (lens position) and retinal thickness.

THIS PAGE INTENTIONALLY LEFT BLANK

**ULTRASOUND ROOM, OPTOMETRY (OPUS2)****Room Content List**

JSN	NAME	QTY	ACQ/INQ	DESCRIPTION
A1010	Telecommunication Outlet	5	V V	Telecommunication outlet location.
A1017	Telephone, Wall Mounted, Multi-Line, With Speaker	1	V V	Telephone, wall mounted, multi-line with speaker.
A1066	Mirror, Float Glass, ADA Accessible	1	C C	A high quality 1/4" polished float glass mirror with a stainless steel frame. Frame holds mirror in a tilted position for accessibility and compliance with ADA requirements. Mirror has a galvanized steel back secured to frame with concealed screws with integral horizontal hanging brackets. Mirror shall be approximately 18" wide and 36" high. Other sizes are available.
A5075	Dispenser, Soap, Disposable	1	V V	Disposable soap dispenser. One-handed dispensing operation. Designed to accommodate disposable soap cartridge and valve.
A5077	Dispenser, Hand Sanitizer, Hands-Free	1	V V	A touch free wall-mounted hand sanitizer dispenser. For use throughout a healthcare facility. Unit does not include the sanitizing liquid. Units are battery operated.
A5082	Dispenser, Paper Towel, Sensor, Hands Free	1	C C	A surface mounted, sensor activated, automatic, roll paper towel dispenser. The unit dispenses a paper towel automatically only when hands are placed in position below the dispenser for maximum sanitation and hygiene. May include adjustable settings for sheet length, time delay, and sensor range. Unit is battery operated or with optional AC power adapter.
A5106	Waste Disposal Unit, Sharps w/Glove Dispenser	1	C C	The unit is designed for the disposal of sharps and complies with OSHA guidelines for the handling of sharps. It shall house a 5 quart container and be capable of being mounted on a wall. It shall have a glove dispenser attached. The unit shall be secured by a locked enclosure.
A5145	Hook, Garment, Double, SS, Surface Mounted	1	C C	A surface mounted, satin finish stainless steel, double garment hook. Equipped with a concealed mounting bracket that is secured to a concealed wall plate. For general purpose use throughout the facility to hang various items of apparel.
A5225	Bracket, Dual Computer Monitor, Desk-Mounted	1	V V	Desk-mounted bracket that supports two LCD computer monitors, or laptop and monitor configuration. Extends LCD's or laptop up to 25" with an adjustment range of 18". Desk clamp attaches to edge up to 2.6" thick. Maximum combined weight supported not to exceed 50 lbs.

**ULTRASOUND ROOM, OPTOMETRY (OPUS2)****Room Content List**

JSN	NAME	QTY	ACQ/INQ	DESCRIPTION
A6046	Artwork, Decorative, With Frame	1	V V	Decorative Artwork. Final selection and location to be done at the project level.
E0204	Worksurface, w/Overhd Cab & Drwrs, Wall Mtd, 24" W	1	V V	Typically includes: 2 Vertical Hanging Strips 1 Lockable Flipper Unit 1 Shelf, Storage/Display 1 Light 1 Cantilevered Work Surface 2 Storage Frames 2 Drawers, 3"H 3 Drawers, 6"H
E0224	Worksurface, Computer, O/H Cab, Wall Mtd, 60" W	1	V V	Typically includes: 3 Vertical Hanging Strips 2 Lockable Flipper Units 2 Shelves, Storage/Display 2 Lights 1 Tack board 2 Tool Rails 2 Paper Trays 1 Diagonal Tray 1 Cantilevered Work Surface 1 Adjustable Keyboard Tray 1 Stationary Pedestal, Box/Box/File
F0340	Stool, Self Adjusting	1	V V	Self adjusting stool. Consists of a foam padded upholstered seat with attached foot rest for added comfort. Mounted on swivel casters. Designed for doctor's use during examinations.
F2010	Basket, Wastepaper, Step-On	1	V V	"Step-on" wastepaper basket with inner liner and foot pedal activated flip top.
F3200	Clock, Battery, 12" Diameter	1	V V	Clock, 12" diameter. Round surface, easy to read numbers with sweep second hand. Wall mounted unit for use when impractical to install a fully synchronized clock system. Battery operated, (batteries not included).
M1800	Flat Panel Monitor	1	V V	A flat panel display is a television, monitor or other display appliance that uses a thin panel design instead of a traditional cathode ray tube (CRT) design. These screens are much lighter and thinner, and can be much more portable than traditional televisions and monitors. They also have higher resolution than older models.
M1801	Computer, Microprocessing, w/Flat Panel Monitor	1	V V	Desk top microprocessing computer. The unit shall consist of a central processing mini tower, flat panel monitor, keyboard, mouse and speakers. The computer is used throughout the facility to input, manipulate and retrieve information.

**ULTRASOUND ROOM, OPTOMETRY (OPUS2)****Room Content List**

JSN	NAME	QTY	ACQ/INQ	DESCRIPTION
M1825	Printer, Computer	1	V V	High resolution computer printer with a variety of type styles and sheet/envelope feeder trays. Database information reflects network ready, medium duty office style laser printers.
M4915	Chair, Exam/Treatment, ENT	1	V V	ENT exam/treatment chair with adjustable light. Chair can be rotated 330 degrees locking at desired position. Unit is electrically powered for precise positioning and has an adjustable headrest and armrest. Unit is designed for use during examinations, treatments, and minor procedures.
P3200	Lavatory, Vitreous China, Slab Type w/ Sens Op Fauc	1	C C	Wall mounted, slab type, vitreous china, lavatory (approximately 7 x 15 x 10 inches) with faucet holes on 4 inch centers; electronic sensor operated, goose neck spout and grid strainer. It shall be suitable for use in clinics, offices and patient care areas.
UXXX3 A5048	Safe, Medication	1	V V	A wall-mounted 1.2 cu.ft. all steel safe with electronic lock, used for the secure storage of medications needed during patient examination / treatment.
UXX12 X2112	Ophthalmic Ultrasound, A-B Scan	1	V V	A Scan: IOL power calculations and analysis: Holladay-I, SRK-T, Hoffer-Q, Movie sequence adjustable up to 5 seconds, 0 frames-per-second image acquisition rate B Scan: Four sets of electronic distance measurement calipers with variable velocity, Two sets of electronic angle measurement caliper, Text annotations, Movie sequence capture up to 20 seconds - real-time image viewing and movie editing capability.

THIS PAGE INTENTIONALLY LEFT BLANK



**ULTRASOUND ROOM, OPHTHALMOLOGY (OPUS1)**  
**ULTRASOUND ROOM, OPTOMETRY (OPUS2)**  
**Room Data Sheet**

**ARCHITECTURAL**

Ceiling:	AT
Ceiling Height:	9'-0"
Wall Finish:	Paint
Base:	RB
Floor Finish:	LVT
Door:	
Hardware	1L

**Glazing:**

**LIGHTING**

Maintained Average Illumination-Ambient:	500 Lux (50 FC)
Maintained Average Illumination-Examination of Outer Eye:	1000 Lux (100 FC)
Maintained Average Illumination-Reading & Color Vision Test:	500 Lux (50 FC)

- General:**
1. Dimmable 2' x 4' Fluorescent or LED Light Fixture. See Lighting Manual for illumination, color temperature, and color rendering levels .
  2. Dimmable Fluorescent or LED can light. Provide switching and dimming to provide various light levels.

**POWER**

**Normal Power:** To be connected to selected receptacles and equipment as shown.

**Emergency Power:** As determined by the Facility.

- Notes:**
1. Emergency Power shown is minimum. Exact number of emergency power receptacles and equipment connections to be determined on a project specific basis.
  2. Coordinate electrical requirements with specific equipment.

**COMMUNICATIONS/SPECIAL SYSTEMS**

Data:	Yes
Telephone:	Yes
Cable Television:	No
Duress Alarm	No
Electronic Access and Door Control:	No
Intercom:	No
Motion Intrusion Detection (MID):	No
Nurse Call:	No
Code Blue:	No
Public Address:	No
Security Surveillance Television (SSTV):	No
VA Satellite TV:	No
Video Conferencing (VTEL):	No
Battery Operated Clock	Yes
In Use Light:	No

**HEATING, VENTILATING AND AIR CONDITIONING**

Dry Bulb Temp Cooling:	Refer to HVAC Design Manual
Dry Bulb Temp Heating:	Refer to HVAC Design Manual
Minimum % Outside Air:	Refer to HVAC Design Manual
100% Exhaust Air:	N/A
Noise Criteria:	Refer to HVAC Design Manual
Steam:	N/A
Relative Humidity/Cooling:	Refer to HVAC Design Manual
Relative Humidity/Heating:	Refer to HVAC Design Manual
Minimum Air Changes/Hr.:	Refer to HVAC Design Manual
Room Pressure:	Refer to HVAC Design Manual
AC Load Lights:	As Required
AC Load Equipment:	As Required
Number of People:	2
Special Equipment:	N/A

**PLUMBING AND MEDICAL GASES**

Cold Water:	Yes
Hot Water:	Yes
Laboratory Air:	No
Laboratory Vacuum:	No
Sanitary/Vent:	Yes
Medical Air:	No
Medical Vacuum:	No
Oxygen:	No
Nitrogen Oxide:	No
Nitrogen	No
Anesthesia Evac:	No
Sprinkler:	Yes
Tempered Water:	No
Water Control:	No

**SPECIAL EQUIPMENT**

See Room Content List

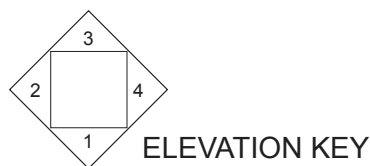
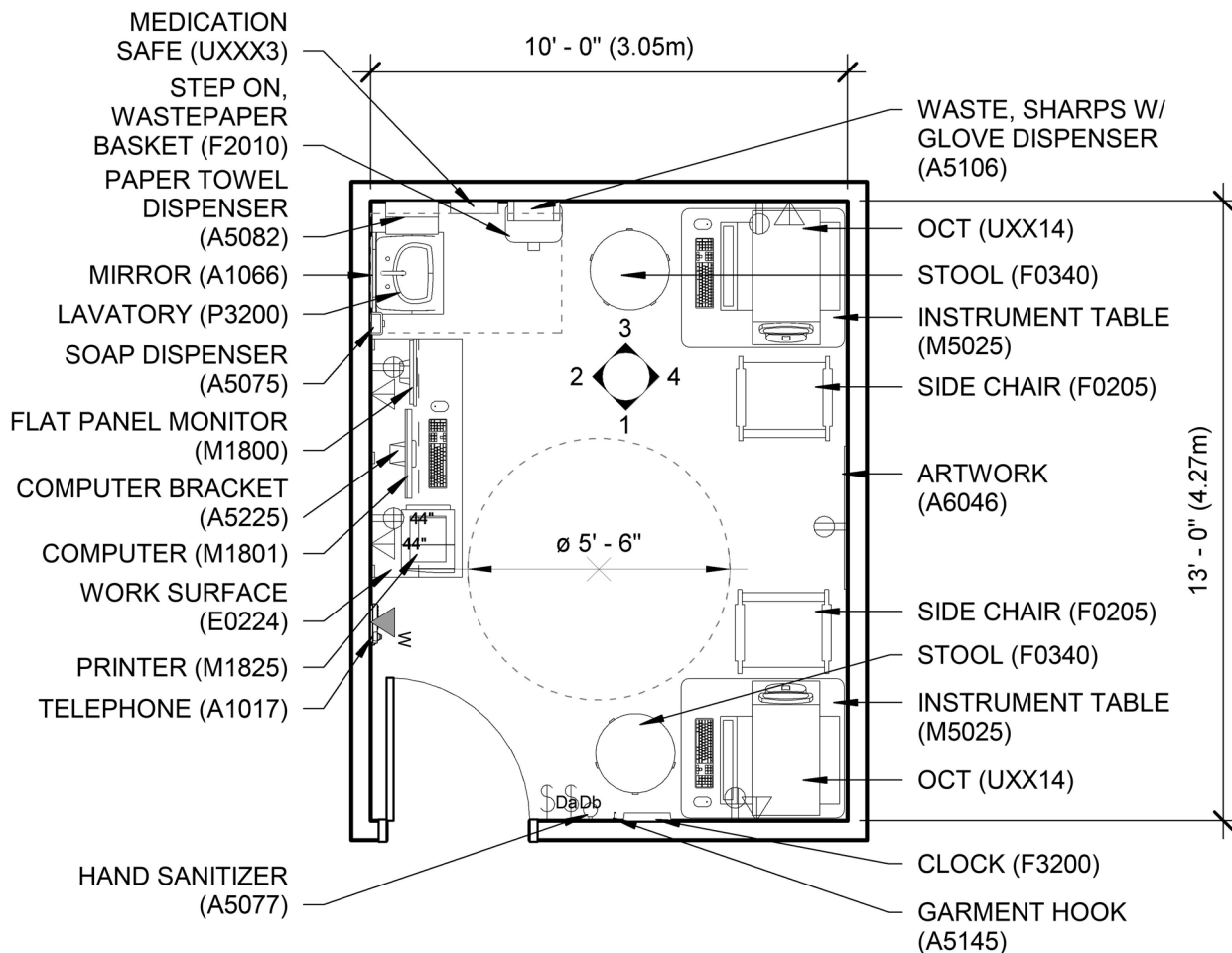
THIS PAGE INTENTIONALLY LEFT BLANK



TOMOGRAPHY ROOM, OPHTHALMOLOGY (OPOC1)  
TOMOGRAPHY ROOM, OPTOMETRY (OPOC2)

NOTE: Design Plates are graphical representations of selected room types, illustrating the integration of space, components, systems, and equipment. They provide typical configurations and general technical guidance, and are not intended to be project specific. Specific infrastructure design requirements are contained in VA Design Manuals and Space Planning Criteria located in the VA Technical Information Library.

THIS PAGE INTENTIONALLY LEFT BLANK



SCALE 1/4" = 1'-0"

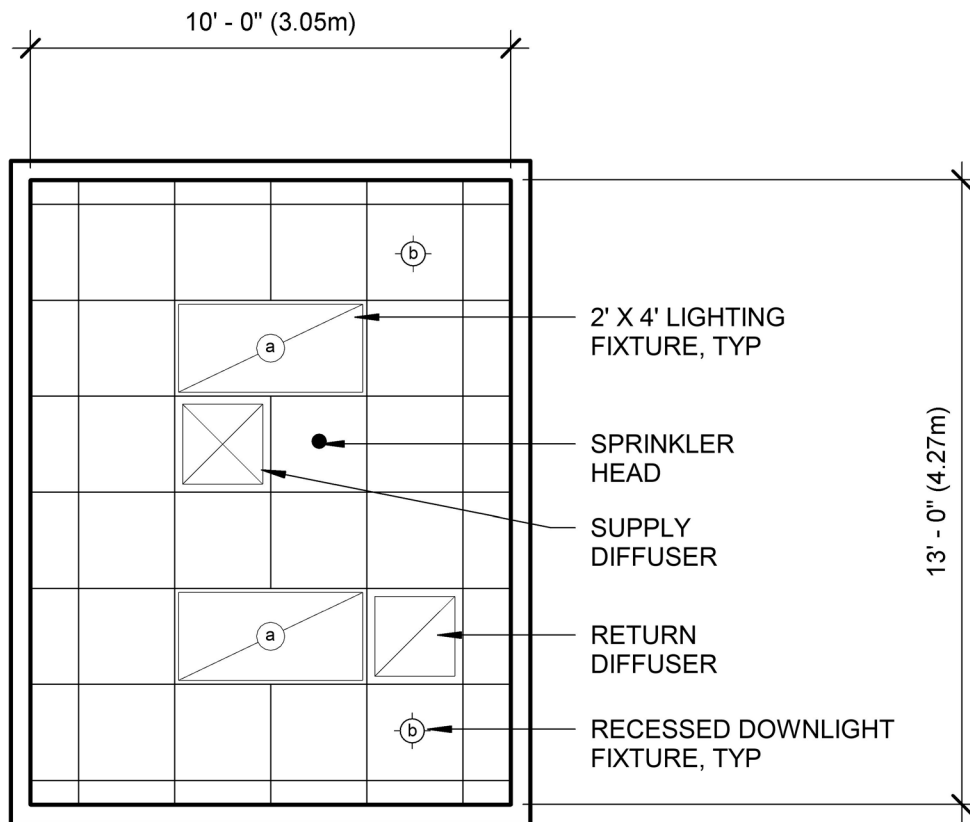
TOMOGRAPHY ROOM, OPHTHALMOLOGY (OPOC1)  
TOMOGRAPHY ROOM, OPTOMETRY (OPOC2)



Floor/Equipment Plan (130 NSF / 12.1 NSM)

NOTE: Design Plates are graphical representations of selected room types, illustrating the integration of space, components, systems, and equipment. They provide typical configurations and general technical guidance, and are not intended to be project specific. Specific infrastructure design requirements are contained in VA Design Manuals and Space Planning Criteria located in the VA Technical Information Library.

THIS PAGE INTENTIONALLY LEFT BLANK



TOMOGRAPHY ROOM, OPHTHALMOLOGY (OPOC1)  
TOMOGRAPHY ROOM, OPTOMETRY (OPOC2)

SCALE 1/4" = 1'-0"

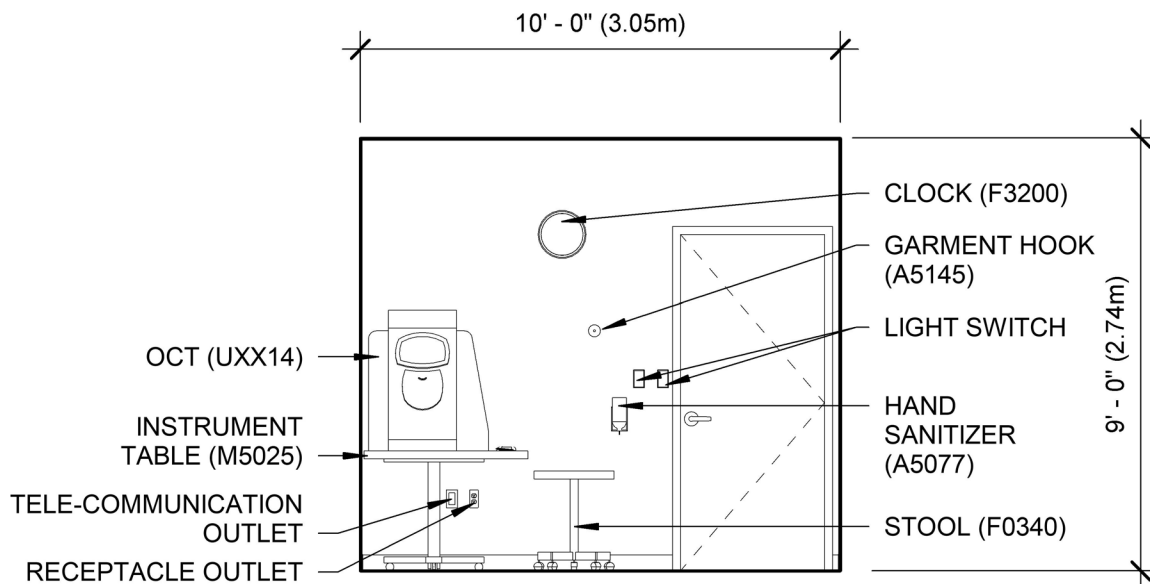


Reflected Ceiling Plan

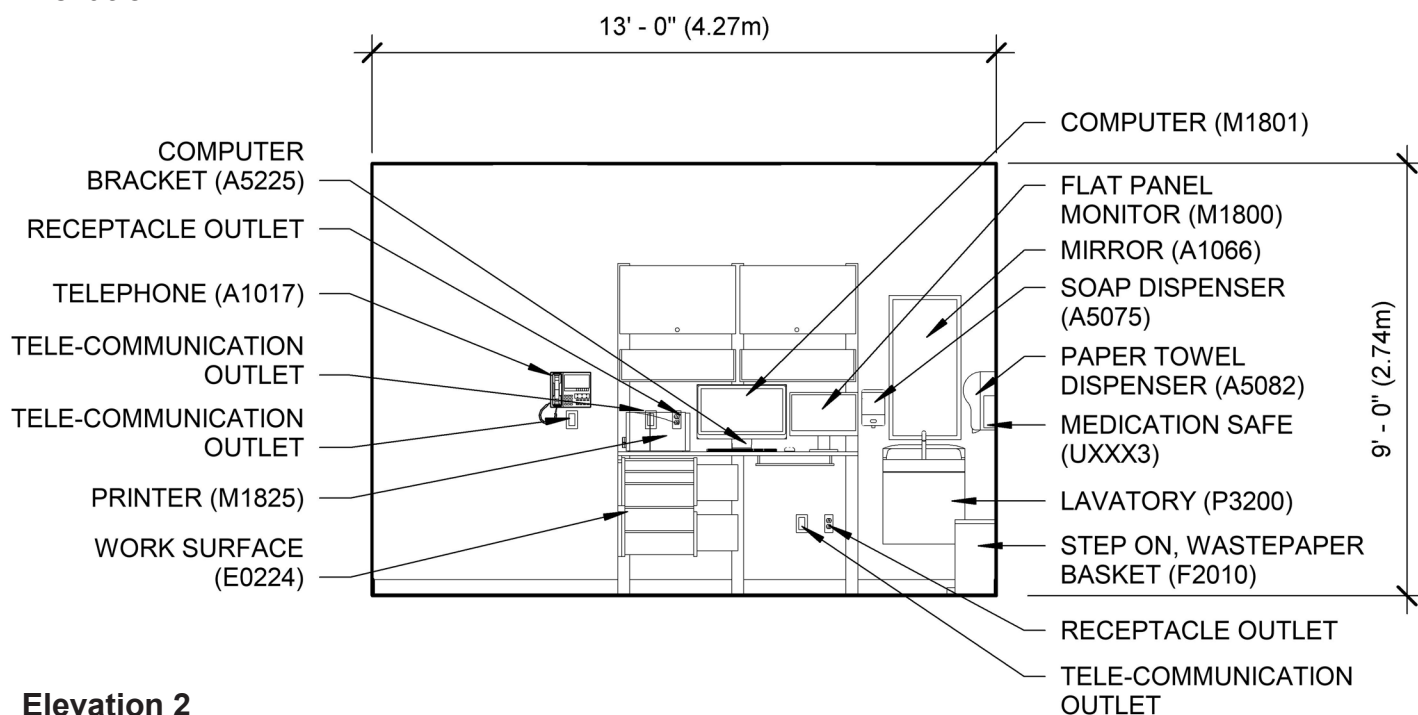
NOTE: Design Plates are graphical representations of selected room types, illustrating the integration of space, components, systems, and equipment. They provide typical configurations and general technical guidance, and are not intended to be project specific. Specific infrastructure design requirements are contained in VA Design Manuals and Space Planning Criteria located in the VA Technical Information Library.

THIS PAGE INTENTIONALLY LEFT BLANK





**Elevation 1**



**Elevation 2**

TOMOGRAPHY ROOM, OPHTHALMOLOGY (OPOC1)  
TOMOGRAPHY ROOM, OPTOMETRY (OPOC2)

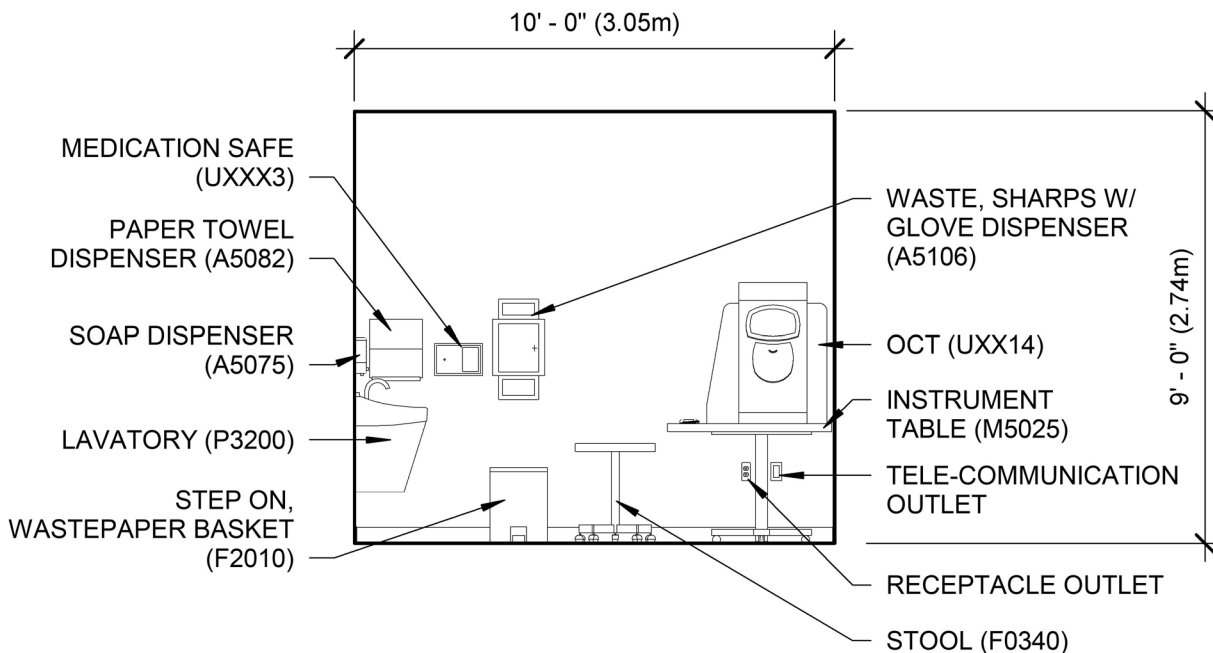
SCALE 1/4" = 1'-0"



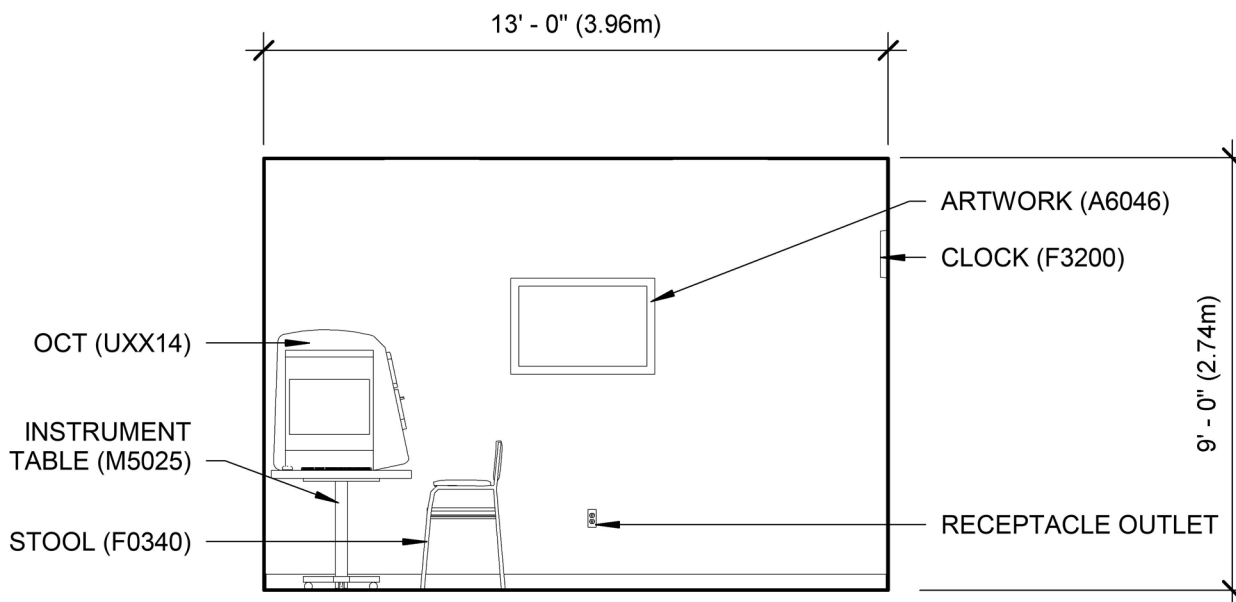
ELEVATIONS

NOTE: Design Plates are graphical representations of selected room types, illustrating the integration of space, components, systems, and equipment. They provide typical configurations and general technical guidance, and are not intended to be project specific. Specific infrastructure design requirements are contained in VA Design Manuals and Space Planning Criteria located in the VA Technical Information Library.

THIS PAGE INTENTIONALLY LEFT BLANK



**Elevation 3**



**Elevation 4**

TOMOGRAPHY ROOM, OPHTHALMOLOGY (OPOC1)  
TOMOGRAPHY ROOM, OPTOMETRY (OPOC2)

SCALE 1/4" = 1'-0"



ELEVATIONS

NOTE: Design Plates are graphical representations of selected room types, illustrating the integration of space, components, systems, and equipment. They provide typical configurations and general technical guidance, and are not intended to be project specific. Specific infrastructure design requirements are contained in VA Design Manuals and Space Planning Criteria located in the VA Technical Information Library.

THIS PAGE INTENTIONALLY LEFT BLANK

**TOMOGRAPHY ROOM , OPHTHALMOLOGY (OPOC1)****Room Content List**

JSN	NAME	QTY	ACQ/INA	DESCRIPTION
A1010	Telecommunication Outlet	4	V V	Telecommunication outlet location.
A1017	Telephone, Wall Mounted, Multi-Line, With Speaker	1	V V	Telephone, wall mounted, multi-line with speaker.
A1066	Mirror, Float Glass, With SS Frame	1	C C	A high quality 1/4" polished float glass mirror 36X18, framed in a one-piece, bright polished, stainless steel channel frame with 90° mitered corners. All edges of the mirror are protected by absorbing filler strips. Mirror has a galvanized steel back with integral horizontal hanging brackets and wall hanger for concealed mounting. For mounting above single wall mounted lavatories located in toilet areas, Doctors examination offices, etc. May also be used above double lavatories, either wall or countertop mounted, found in restroom areas.
A5075	Dispenser, Soap, Disposable	1	V V	Disposable soap dispenser. One-handed dispensing operation. Designed to accommodate disposable soap cartridge and valve.
A5077	Dispenser, Hand Sanitizer, Hands-Free	1	V V	A touch free wall-mounted hand sanitizer dispenser. For use throughout a healthcare facility. Unit does not include the sanitizing liquid. Units are battery operated.
A5082	Dispenser, Paper Towel, Sensor, Hands Free	1	C C	A surface mounted, sensor activated, automatic, roll paper towel dispenser. The unit dispenses a paper towel automatically only when hands are placed in position below the dispenser for maximum sanitation and hygiene. May include adjustable settings for sheet length, time delay, and sensor range. Unit is battery operated or with optional AC power adapter.
A5106	Waste Disposal Unit, Sharps w/Glove Dispenser	1	V V	The unit is designed for the disposal of sharps and complies with OSHA guidelines for the handling of sharps. It shall house a 5 quart container and be capable of being mounted on a wall. It shall have a glove dispenser attached. The unit shall be secured by a locked enclosure.
A5145	Hook, Garment, Double, SS, Surface Mounted	1	C C	A surface mounted, satin finish stainless steel, double garment hook. Equipped with a concealed mounting bracket that is secured to a concealed wall plate. For general purpose use throughout the facility to hang various items of apparel.

**TOMOGRAPHY ROOM , OPHTHALMOLOGY (OPOC1)****Room Content List**

JSN	NAME	QTY	ACQ/INA	DESCRIPTION
A5225	Bracket, Dual Computer Monitor, Desk-Mounted	1	V V	Desk-mounted bracket that supports two LCD computer monitors, or laptop and monitor configuration. Extends LCD's or laptop up to 25" with an adjustment range of 18". Desk clamp attaches to edge up to 2.6" thick. Maximum combined weight supported not to exceed 50 lbs.
A6046	Artwork, Decorative, With Frame	1	V V	Decorative Artwork. Final selection and location to be done at the project level.
E0224	Worksurface, Computer, O/H Cab, Wall Mtd, 60" W	1	V V	Typically includes: 3 Vertical Hanging Strips 2 Lockable Flipper Units 2 Shelves, Storage/Display 2 Lights 1 Tack board 2 Tool Rails 2 Paper Trays 1 Diagonal Tray 1 Cantilevered Work Surface 1 Adjustable Keyboard Tray 1 Stationary Pedestal, Box/Box/File
F0205	Chair, Side With Arms	2	V V	Upholstered side chair, 32" high X 21" wide X 23" deep with arms, padded seats and padded backs. Seat height is a minimum of 17". Available with or without sled base.
F0340	Stool, Self Adjusting	2	V V	Self adjusting stool. Consists of a foam padded upholstered seat with attached foot rest for added comfort. Mounted on swivel casters. Designed for doctor's use during examinations.
F2010	Basket, Wastepaper, Step-On	1	V V	"Step-on" wastepaper basket with inner liner and foot pedal activated flip top.
F3200	Clock, Battery, 12" Diameter	1	V V	Clock, 12" diameter. Round surface, easy to read numbers with sweep second hand. Wall mounted unit for use when impractical to install a fully synchronized clock system. Battery operated, (batteries not included).
M1800	Flat Panel Monitor	1	V V	A flat panel display is a television, monitor or other display appliance that uses a thin panel design instead of a traditional cathode ray tube (CRT) design. These screens are much lighter and thinner, and can be much more portable than traditional televisions and monitors. They also have higher resolution than older models.

**TOMOGRAPHY ROOM , OPHTHALMOLOGY (OPOC1)****Room Content List**

JSN	NAME	QTY	ACQ/INA	DESCRIPTION
M1801	Computer, Microprocessing, w/Flat Panel Monitor	1	V V	Desk top microprocessing computer. The unit shall consist of a central processing mini tower, flat panel monitor, keyboard, mouse and speakers. The computer is used throughout the facility to input, manipulate and retrieve information.
M1825	Printer, Computer	1	V V	High resolution computer printer with a variety of type styles and sheet/envelope feeder trays. Database information reflects network ready, medium duty office style laser printers.
M5025	Table, Instrument, Ophthalmic, Adjustable	2	V V	Ophthalmic adjustable instrument table. Four toed pedestal type base with foot pedal brake or hand operated clamp for securing table adjustment. Designed for use with slit lamp, ophthalmometer, perimeter and screening instruments.
P3200	Lavatory, Vitreous China, Slab Type w/ Sens Op Fauc	1	C C	Wall mounted, slab type, vitreous china, lavatory (approximately 7 x 15 x 10 inches) with faucet holes on 4 inch centers; electronic sensor operated, goose neck spout and grid strainer. It shall be suitable for use in clinics, offices and patient care areas.
UXXX3 A5048	Safe, Medication	1	V V	A wall-mounted 1.2 cu.ft. all steel safe with electronic lock, used for the secure storage of medications needed during patient examination / treatment.
UXX14 M5551	OCT Ophthalmoscope / Ophthalmic Biometer	2	V V	Non-invasive lighted Ophthalmic instrument that allows the provider to directly view the arteries, veins, the optic nerve and the retina in patient's eye. Direct observation reveals abnormalities indicative of disease.

THIS PAGE INTENTIONALLY LEFT BLANK



**TOMOGRAPHY ROOM, OPTOMETRY (OPOC2)****Room Content List**

JSN	NAME	QTY	ACQ/INA	DESCRIPTION
A1010	Telecommunication Outlet	4	V V	Telecommunication outlet location.
A1017	Telephone, Wall Mounted, Multi-Line, With Speaker	1	V V	Telephone, wall mounted, multi-line with speaker.
A1066	Mirror, Float Glass, With SS Frame	1	C C	A high quality 1/4" polished float glass mirror 36X18, framed in a one-piece, bright polished, stainless steel channel frame with 90° mitered corners. All edges of the mirror are protected by absorbing filler strips. Mirror has a galvanized steel back with integral horizontal hanging brackets and wall hanger for concealed mounting. For mounting above single wall mounted lavatories located in toilet areas, Doctors examination offices, etc. May also be used above double lavatories, either wall or countertop mounted, found in restroom areas.
A5075	Dispenser, Soap, Disposable	1	V V	Disposable soap dispenser. One-handed dispensing operation. Designed to accommodate disposable soap cartridge and valve.
A5077	Dispenser, Hand Sanitizer, Hands-Free	1	V V	A touch free wall-mounted hand sanitizer dispenser. For use throughout a healthcare facility. Unit does not include the sanitizing liquid. Units are battery operated.
A5082	Dispenser, Paper Towel, Sensor, Hands Free	1	C C	A surface mounted, sensor activated, automatic, roll paper towel dispenser. The unit dispenses a paper towel automatically only when hands are placed in position below the dispenser for maximum sanitation and hygiene. May include adjustable settings for sheet length, time delay, and sensor range. Unit is battery operated or with optional AC power adapter.
A5106	Waste Disposal Unit, Sharps w/Glove Dispenser	1	C C	The unit is designed for the disposal of sharps and complies with OSHA guidelines for the handling of sharps. It shall house a 5 quart container and be capable of being mounted on a wall. It shall have a glove dispenser attached. The unit shall be secured by a locked enclosure.
A5145	Hook, Garment, Double, SS, Surface Mounted	1	C C	A surface mounted, satin finish stainless steel, double garment hook. Equipped with a concealed mounting bracket that is secured to a concealed wall plate. For general purpose use throughout the facility to hang various items of apparel.

**TOMOGRAPHY ROOM, OPTOMETRY (OPOC2)****Room Content List**

JSN	NAME	QTY	ACQ/INA	DESCRIPTION
A5225	Bracket, Dual Computer Monitor, Desk-Mounted	1	V V	Desk-mounted bracket that supports two LCD computer monitors, or laptop and monitor configuration. Extends LCD's or laptop up to 25" with an adjustment range of 18". Desk clamp attaches to edge up to 2.6" thick. Maximum combined weight supported not to exceed 50 lbs.
A6046	Artwork, Decorative, With Frame	1	V V	Decorative Artwork. Final selection and location to be done at the project level.
E0224	Worksurface, Computer, O/H Cab, Wall Mtd, 60" W	1	V V	Typically includes: 3 Vertical Hanging Strips 2 Lockable Flipper Units 2 Shelves, Storage/Display 2 Lights 1 Tack board 2 Tool Rails 2 Paper Trays 1 Diagonal Tray 1 Cantilevered Work Surface 1 Adjustable Keyboard Tray 1 Stationary Pedestal, Box/Box/File
F0205	Chair, Side With Arms	2	V V	Upholstered side chair, 32" high X 21" wide X 23" deep with arms, padded seats and padded backs. Seat height is a minimum of 17". Available with or without sled base.
F0340	Stool, Self Adjusting	2	V V	Self adjusting stool. Consists of a foam padded upholstered seat with attached foot rest for added comfort. Mounted on swivel casters. Designed for doctor's use during examinations.
F2010	Basket, Wastepaper, Step-On	1	V V	"Step-on" wastepaper basket with inner liner and foot pedal activated flip top.
F3200	Clock, Battery, 12" Diameter	1	V V	Clock, 12" diameter. Round surface, easy to read numbers with sweep second hand. Wall mounted unit for use when impractical to install a fully synchronized clock system. Battery operated, (batteries not included).
M1800	Flat Panel Monitor	1	V V	A flat panel display is a television, monitor or other display appliance that uses a thin panel design instead of a traditional cathode ray tube (CRT) design. These screens are much lighter and thinner, and can be much more portable than traditional televisions and monitors. They also have higher resolution than older models.

**TOMOGRAPHY ROOM, OPTOMETRY (OPOC2)****Room Content List**

JSN	NAME	QTY	ACQ/INA	DESCRIPTION
M1801	Computer, Microprocessing, w/Flat Panel Monitor	1	V V	Desk top microprocessing computer. The unit shall consist of a central processing mini tower, flat panel monitor, keyboard, mouse and speakers. The computer is used throughout the facility to input, manipulate and retrieve information.
M1825	Printer, Computer	1	V V	High resolution computer printer with a variety of type styles and sheet/envelope feeder trays. Database information reflects network ready, medium duty office style laser printers.
M5025	Table, Instrument, Ophthalmic, Adjustable	2	V V	Ophthalmic adjustable instrument table. Four toed pedestal type base with foot pedal brake or hand operated clamp for securing table adjustment. Designed for use with slit lamp, ophthalmometer, perimeter and screening instruments.
P3200	Lavatory, Vitreous China, Slab Type w/ Sens Op Fauc	1	C C	Wall mounted, slab type, vitreous china, lavatory (approximately 7 x 15 x 10 inches) with faucet holes on 4 inch centers; electronic sensor operated, goose neck spout and grid strainer. It shall be suitable for use in clinics, offices and patient care areas.
UXXX3 A5048	Safe, Medication	1	V V	A wall-mounted 1.2 cu.ft. all steel safe with electronic lock, used for the secure storage of medications needed during patient examination / treatment.
UXX14 M5551	OCT Ophthlamoscope / Ophthalmic Biometer	2	V V	Non-invasive lighted Ophthalmic instrument that allows the provider to directly view the arteries, veins, the optic nerve and the retina in patient's eye. Direct observation reveals abnormalities indicative of disease.

THIS PAGE INTENTIONALLY LEFT BLANK

**TOMOGRAPHY ROOM , OPHTHALMOLOGY (OPOC1)**  
**TOMOGRAPHY ROOM, OPTOMETRY (OPOC2)**  
**Room Data Sheet**

**ARCHITECTURAL**

Ceiling:	AT
Ceiling Height:	9'-0"
Wall Finish:	Paint
Base:	RB
Floor Finish:	LVT
Door:	
Hardware	1L
Glazing:	

**LIGHTING**

Maintained Average Illumination-Ambient:	500 Lux (50 FC)
Maintained Average Illumination-Examination of Outer Eye:	1000 Lux (100 FC)
Maintained Average Illumination-Reading & Color Vision Test:	500 Lux (50 FC)

**General:**

1. Dimmable 2' x 4' Fluorescent or LED Light Fixture. See Lighting Manual for illumination, color temperature, and color rendering levels .
2. Dimmable Fluorescent or LED can light. Provide switching and dimming to provide various light levels.

**POWER**

**Normal Power:** To be connected to selected receptacles and equipment as shown.

**Emergency Power:** As determined by the Facility.

**Notes:**

1. Emergency Power shown is minimum. Exact number of emergency power receptacles and equipment connections to be determined on a project specific basis.
2. Coordinate electrical requirements with specific equipment.

**COMMUNICATIONS/SPECIAL SYSTEMS**

Data:	Yes
Telephone:	Yes
Cable Television:	No
Duress Alarm	No
Electronic Access and Door Control:	No
Intercom:	No
Motion Intrusion Detection (MID):	No
Nurse Call:	No
Code Blue:	No
Public Address:	No
Security Surveillance Television (SSTV):	No
VA Satellite TV:	No
Video Teleconferencing (VTEL):	No
Battery Operated Clock	Yes
In Use Light:	No

**HEATING, VENTILATING AND AIR CONDITIONING**

Dry Bulb Temp Cooling:	Refer to HVAC Design Manual
Dry Bulb Temp Heating:	Refer to HVAC Design Manual
Minimum % Outside Air:	Refer to HVAC Design Manual
100% Exhaust Air:	N/A
Noise Criteria:	Refer to HVAC Design Manual
Steam:	N/A
Relative Humidity/Cooling:	Refer to HVAC Design Manual
Relative Humidity/Heating:	Refer to HVAC Design Manual
Minimum Air Changes/Hr.:	Refer to HVAC Design Manual
Room Pressure:	Refer to HVAC Design Manual
AC Load Lights:	As Required
AC Load Equipment:	As Required
Number of People:	4
Special Equipment:	N/A

**PLUMBING AND MEDICAL GASES**

Cold Water:	Yes
Hot Water:	Yes
Laboratory Air:	No
Laboratory Vacuum:	No
Sanitary/Vent:	Yes
Medical Air:	No
Medical Vacuum:	No
Oxygen:	No
Nitrogen Oxide:	No
Nitrogen	No
Anesthesia Evac:	No
Sprinkler:	Yes
Tempered Water:	No
Water Control:	No

**SPECIAL EQUIPMENT**

See Room Content List

THIS PAGE INTENTIONALLY LEFT BLANK

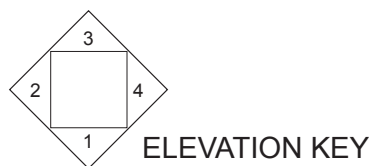
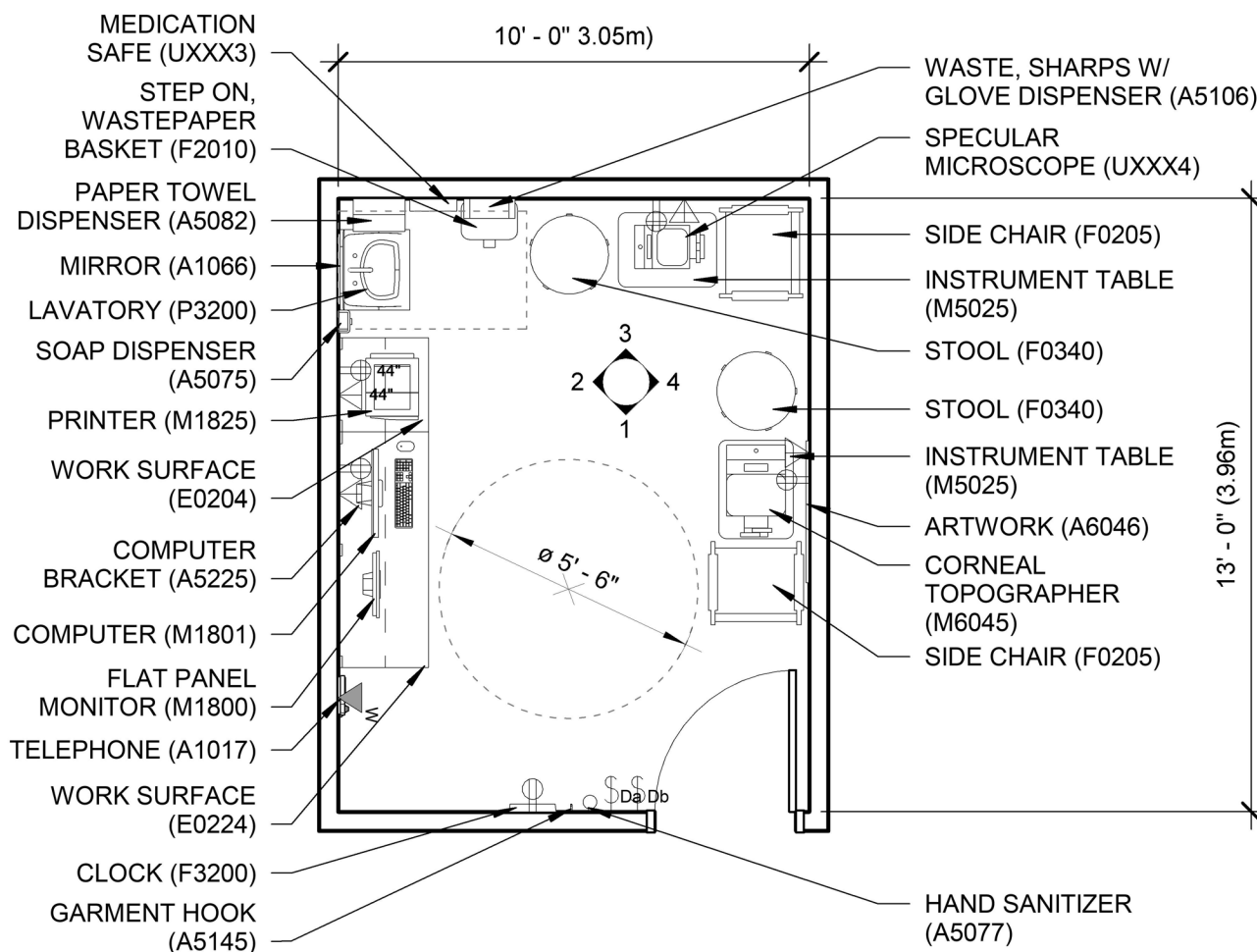


IMAGING ROOM, OPHTHALMOLOGY (OPIM1)  
IMAGING ROOM, OPTOMETRY (OPIM2)

NOTE: Design Plates are graphical representations of selected room types, illustrating the integration of space, components, systems, and equipment. They provide typical configurations and general technical guidance, and are not intended to be project specific. Specific infrastructure design requirements are contained in VA Design Manuals and Space Planning Criteria located in the VA Technical Information Library.

THIS PAGE INTENTIONALLY LEFT BLANK





IMAGING ROOM, OPHTHALMOLOGY (OPIM1)  
IMAGING ROOM, OPTOMETRY (OPIM2)

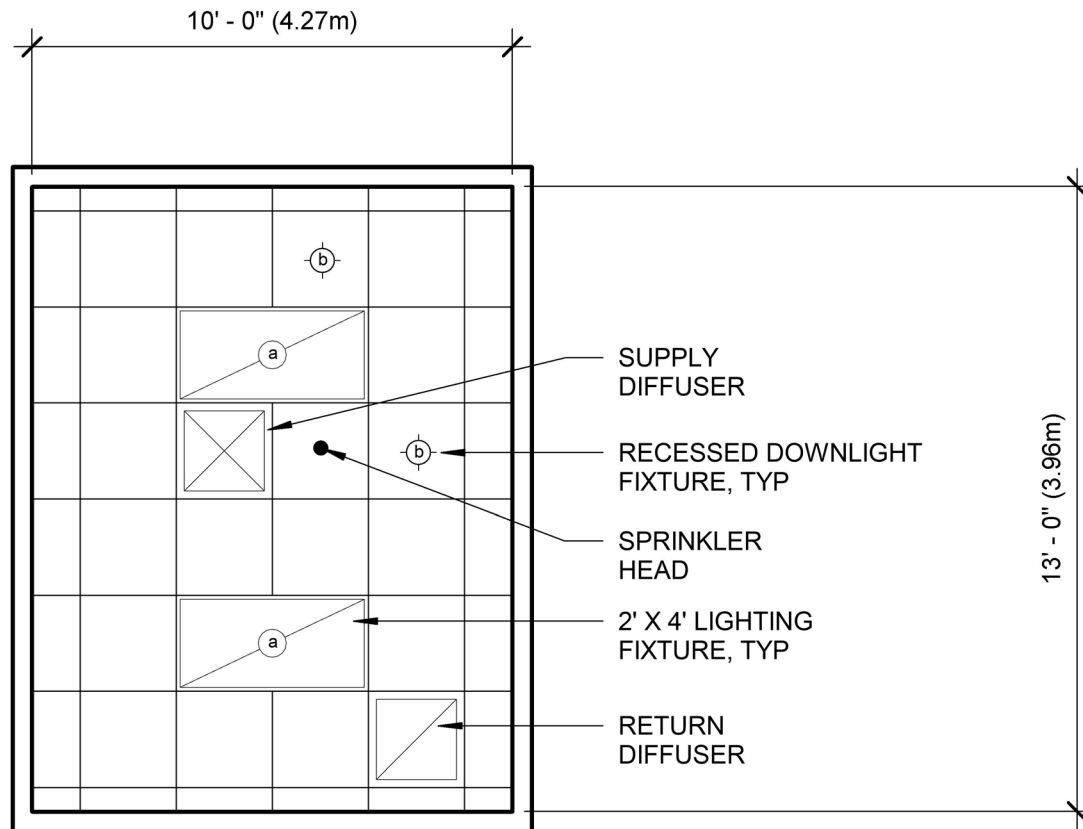
SCALE 1/4" = 1'-0"



Floor/Equipment Plan (130 NSF / 12.1 NSM)

NOTE: Design Plates are graphical representations of selected room types, illustrating the integration of space, components, systems, and equipment. They provide typical configurations and general technical guidance, and are not intended to be project specific. Specific infrastructure design requirements are contained in VA Design Manuals and Space Planning Criteria located in the VA Technical Information Library.

THIS PAGE INTENTIONALLY LEFT BLANK



IMAGING ROOM, OPHTHALMOLOGY (OPIM1)  
IMAGING ROOM, OPTOMETRY (OPIM2)

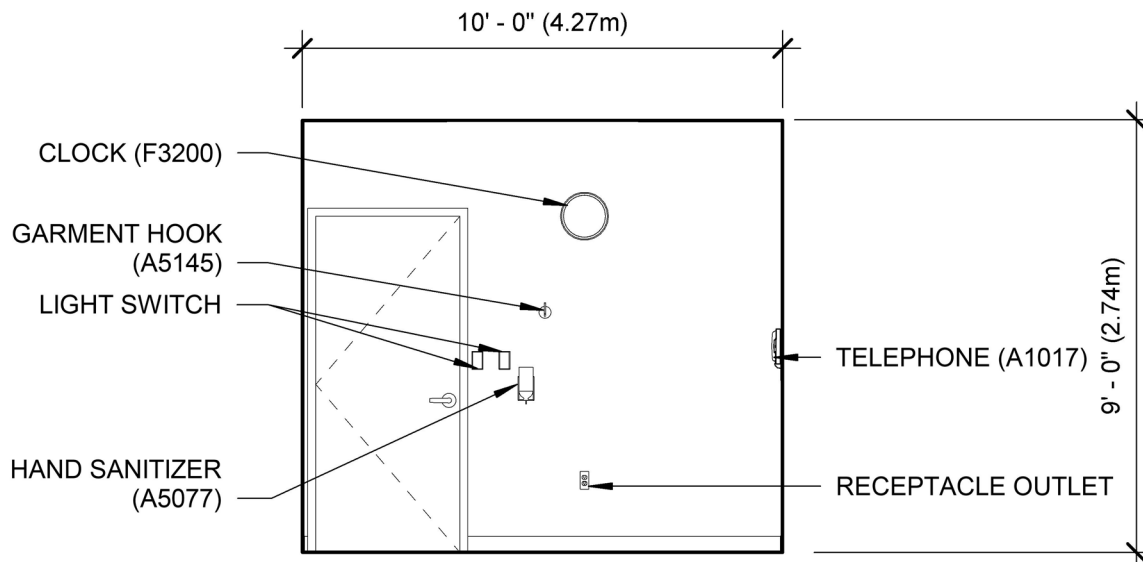
SCALE 1/4" = 1'-0"



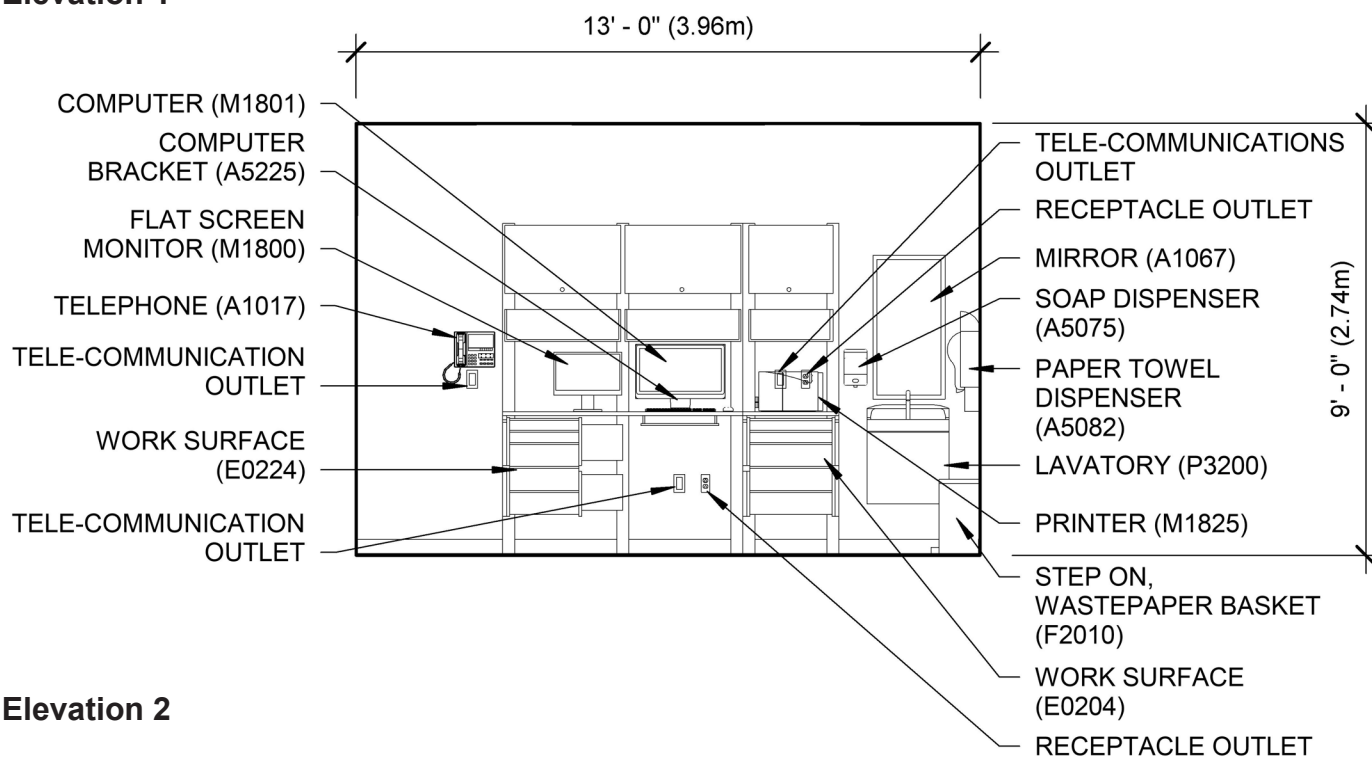
Reflected Ceiling Plan

NOTE: Design Plates are graphical representations of selected room types, illustrating the integration of space, components, systems, and equipment. They provide typical configurations and general technical guidance, and are not intended to be project specific. Specific infrastructure design requirements are contained in VA Design Manuals and Space Planning Criteria located in the VA Technical Information Library.

THIS PAGE INTENTIONALLY LEFT BLANK



**Elevation 1**



**Elevation 2**

IMAGING ROOM, OPHTHALMOLOGY (OPIM1)  
IMAGING ROOM, OPTOMETRY (OPIM2)

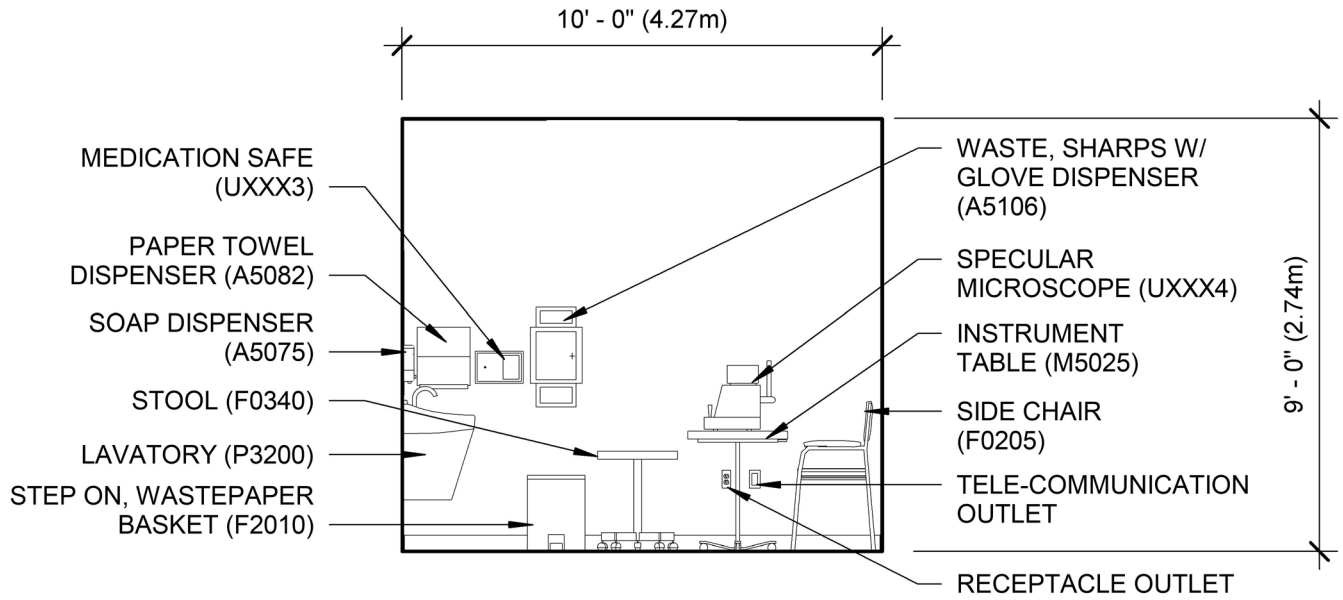
SCALE 1/4" = 1'-0"



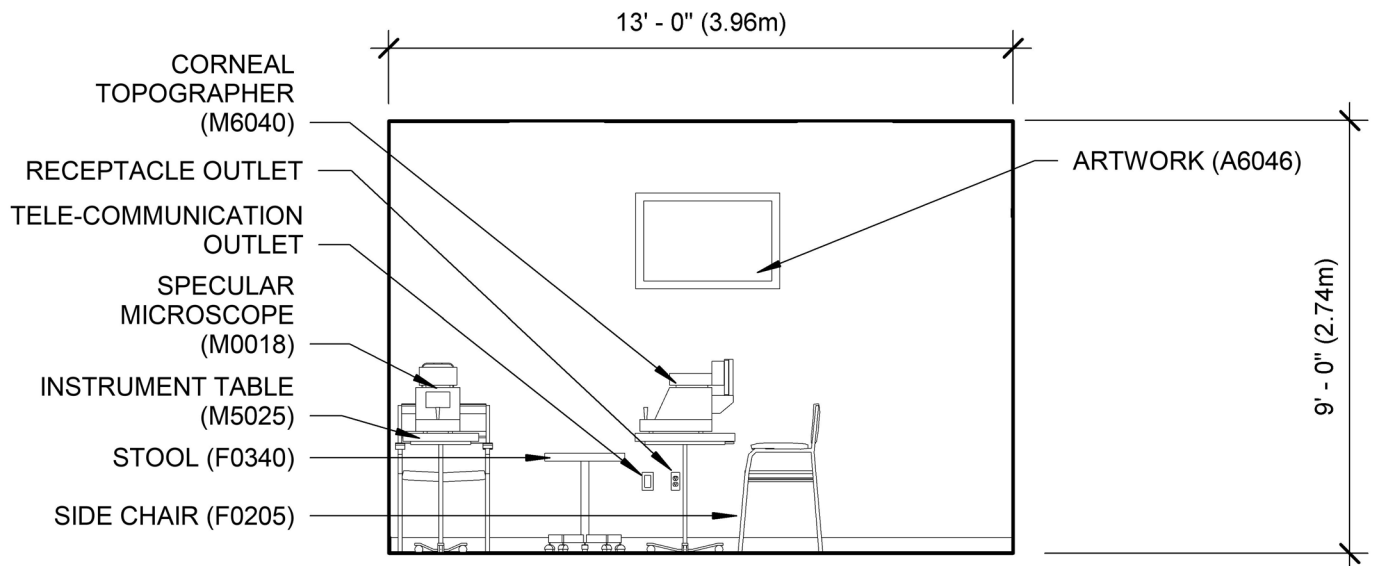
ELEVATIONS

NOTE: Design Plates are graphical representations of selected room types, illustrating the integration of space, components, systems, and equipment. They provide typical configurations and general technical guidance, and are not intended to be project specific. Specific infrastructure design requirements are contained in VA Design Manuals and Space Planning Criteria located in the VA Technical Information Library.

THIS PAGE INTENTIONALLY LEFT BLANK



**Elevation 3**



**Elevation 4**

IMAGING ROOM, OPHTHALMOLOGY (OPIM1)  
 IMAGING ROOM, OPTOMETRY (OPIM2)

SCALE 1/4" = 1'-0"



ELEVATIONS

*(Small, hand-held equipment items are not included on the Design Plates)*

NOTE: Design Plates are graphical representations of selected room types, illustrating the integration of space, components, systems, and equipment. They provide typical configurations and general technical guidance, and are not intended to be project specific. Specific infrastructure design requirements are contained in VA Design Manuals and Space Planning Criteria located in the VA Technical Information Library.

THIS PAGE INTENTIONALLY LEFT BLANK



**IMAGING ROOM, OPHTHALMOLOGY (OPIM1)****Room Content List**

JSN	NAME	QTY	ACQ/INA	DESCRIPTION
A1010	Telecommunication Outlet	4	V V	Telecommunication outlet location.
A1017	Telephone, Wall Mounted, Multi-Line, With Speaker	1	V V	Telephone, wall mounted, multi-line with speaker.
A1066	Mirror, Float Glass, With SS Frame	1	C C	A high quality 1/4" polished float glass mirror 36X18, framed in a one-piece, bright polished, stainless steel channel frame with 90° mitered corners. All edges of the mirror are protected by absorbing filler strips. Mirror has a galvanized steel back with integral horizontal hanging brackets and wall hanger for concealed mounting. For mounting above single wall mounted lavatories located in toilet areas, Doctors examination offices, etc. May also be used above double lavatories, either wall or countertop mounted, found in restroom areas.
A5075	Dispenser, Soap, Disposable	1	V V	Disposable soap dispenser. One-handed dispensing operation. Designed to accommodate disposable soap cartridge and valve.
A5077	Dispenser, Hand Sanitizer, Hands-Free	1	V V	A touch free wall-mounted hand sanitizer dispenser. For use throughout a healthcare facility. Unit does not include the sanitizing liquid. Units are battery operated.
A5082	Dispenser, Paper Towel, Sensor, Hands Free	1	C C	A surface mounted, sensor activated, automatic, roll paper towel dispenser. The unit dispenses a paper towel automatically only when hands are placed in position below the dispenser for maximum sanitation and hygiene. May include adjustable settings for sheet length, time delay, and sensor range. Unit is battery operated or with optional AC power adapter.
A5106	Waste Disposal Unit, Sharps w/Glove Dispenser	1	V V	The unit is designed for the disposal of sharps and complies with OSHA guidelines for the handling of sharps. It shall house a 5 quart container and be capable of being mounted on a wall. It shall have a glove dispenser attached. The unit shall be secured by a locked enclosure.
A5145	Hook, Garment, Double, SS, Surface Mounted	1	C C	A surface mounted, satin finish stainless steel, double garment hook. Equipped with a concealed mounting bracket that is secured to a concealed wall plate. For general purpose use throughout the facility to hang various items of apparel.

**IMAGING ROOM, OPHTHALMOLOGY (OPIM1)****Room Content List**

JSN	NAME	QTY	ACQ/INA	DESCRIPTION
A5225	Bracket, Dual Computer Monitor, Desk-Mounted	1	V V	Desk-mounted bracket that supports two LCD computer monitors, or laptop and monitor configuration. Extends LCD's or laptop up to 25" with an adjustment range of 18". Desk clamp attaches to edge up to 2.6" thick. Maximum combined weight supported not to exceed 50 lbs.
A6046	Artwork, Decorative, With Frame	1	V V	Decorative Artwork. Final selection and location to be done at the project level.
E0204	Worksurface, w/Overhd Cab & Drwrs, Wall Mtd, 24" W	1	V V	Typically includes: 2 Vertical Hanging Strips 1 Lockable Flipper Unit 1 Shelf, Storage/Display 1 Light 1 Cantilevered Work Surface 2 Storage Frames 2 Drawers, 3"H 3 Drawers, 6"H
E0224	Worksurface, Computer, O/H Cab, Wall Mtd, 60" W	1	V V	Typically includes: 3 Vertical Hanging Strips 2 Lockable Flipper Units 2 Shelves, Storage/Display 2 Lights 1 Tack board 2 Tool Rails 2 Paper Trays 1 Diagonal Tray 1 Cantilevered Work Surface 1 Adjustable Keyboard Tray 1 Stationary Pedestal, Box/Box/File
F0205	Chair, Side With Arms	2	V V	Upholstered side chair, 32" high X 21" wide X 23" deep with arms, padded seats and padded backs. Seat height is a minimum of 17". Available with or without sled base.
F0340	Stool, Self Adjusting	2	V V	Self adjusting stool. Consists of a foam padded upholstered seat with attached foot rest for added comfort. Mounted on swivel casters. Designed for doctor's use during examinations.
F2010	Basket, Wastepaper, Step-On	1	V V	"Step-on" wastepaper basket with inner liner and foot pedal activated flip top.
F3200	Clock, Battery, 12" Diameter	1	V V	Clock, 12" diameter. Round surface, easy to read numbers with sweep second hand. Wall mounted unit for use when impractical to install a fully synchronized clock system. Battery operated, (batteries not included).

**IMAGING ROOM, OPHTHALMOLOGY (OPIM1)****Room Content List**

JSN	NAME	QTY	ACQ/INA	DESCRIPTION
M1800	Flat Panel Monitor	1	V V	A flat panel display is a television, monitor or other display appliance that uses a thin panel design instead of a traditional cathode ray tube (CRT) design. These screens are much lighter and thinner, and can be much more portable than traditional televisions and monitors. They also have higher resolution than older models.
M1801	Computer, Microprocessing, w/Flat Panel Monitor	1	V V	Desk top microprocessing computer. The unit shall consist of a central processing mini tower, flat panel monitor, keyboard, mouse and speakers. The computer is used throughout the facility to input, manipulate and retrieve information.
M1825	Printer, Computer	1	V V	High resolution computer printer with a variety of type styles and sheet/envelope feeder trays. Database information reflects network ready, medium duty office style laser printers.
M5025	Table, Instrument, Ophthalmic, Adjustable	2	V V	Ophthalmic adjustable instrument table. Four toed pedestal type base with foot pedal brake or hand operated clamp for securing table adjustment. Designed for use with slit lamp, ophthalmometer, perimeter and screening instruments.
M6045	Corneal Topography Unit	1	V V	Computerized corneal mapping system for pre- and post- surgical diagnosis of astigmatism, refractive error, irregularly shaped corneas and other eye conditions. The unit performs analysis of 5,000 - 6,000 different points on a ring pattern reflected from the patient's cornea to quantify the curvature and contours of the corneal surface.
P3200	Lavatory, Vitreous China, Slab Type w/ Sens Op Fauc	1	C C	Wall mounted, slab type, vitreous china, lavatory (approximately 7 x 15 x 10 inches) with faucet holes on 4 inch centers; electronic sensor operated, goose neck spout and grid strainer. It shall be suitable for use in clinics, offices and patient care areas.
UXXX3 A5048	Safe, Medication	1	V V	A wall-mounted 1.2 cu.ft. all steel safe with electronic lock, used for the secure storage of medications needed during patient examination / treatment.
UXXX4 M5564	Specular Microscope	1	V V	A noninvasive photographic technique that facilitates accurate diagnosis of common ocular conditions such as glaucoma, uveitis and dystrophy by allowing a close look of the corneal endothelium.

THIS PAGE INTENTIONALLY LEFT BLANK

## IMAGING ROOM, OPTOMETRY (OPIM2)

### Room Content List

JSN	NAME	QTY	ACQ/INA	DESCRIPTION
A1010	Telecommunication Outlet	4	V V	Telecommunication outlet location.
A1017	Telephone, Wall Mounted, Multi-Line, With Speaker	1	V V	Telephone, wall mounted, multi-line with speaker.
A1066	Mirror, Float Glass, With SS Frame	1	C C	A high quality 1/4" polished float glass mirror 36X18, framed in a one-piece, bright polished, stainless steel channel frame with 90° mitered corners. All edges of the mirror are protected by absorbing filler strips. Mirror has a galvanized steel back with integral horizontal hanging brackets and wall hanger for concealed mounting. For mounting above single wall mounted lavatories located in toilet areas, Doctors examination offices, etc. May also be used above double lavatories, either wall or countertop mounted, found in restroom areas.
A5075	Dispenser, Soap, Disposable	1	V V	Disposable soap dispenser. One-handed dispensing operation. Designed to accommodate disposable soap cartridge and valve.
A5077	Dispenser, Hand Sanitizer, Hands-Free	1	V V	A touch free wall-mounted hand sanitizer dispenser. For use throughout a healthcare facility. Unit does not include the sanitizing liquid. Units are battery operated.
A5082	Dispenser, Paper Towel, Sensor, Hands Free	1	C C	A surface mounted, sensor activated, automatic, roll paper towel dispenser. The unit dispenses a paper towel automatically only when hands are placed in position below the dispenser for maximum sanitation and hygiene. May include adjustable settings for sheet length, time delay, and sensor range. Unit is battery operated or with optional AC power adapter.
A5106	Waste Disposal Unit, Sharps w/Glove Dispenser	1	C C	The unit is designed for the disposal of sharps and complies with OSHA guidelines for the handling of sharps. It shall house a 5 quart container and be capable of being mounted on a wall. It shall have a glove dispenser attached. The unit shall be secured by a locked enclosure.
A5145	Hook, Garment, Double, SS, Surface Mounted	1	C C	A surface mounted, satin finish stainless steel, double garment hook. Equipped with a concealed mounting bracket that is secured to a concealed wall plate. For general purpose use throughout the facility to hang various items of apparel.

**IMAGING ROOM, OPTOMETRY (OPIM2)****Room Content List**

JSN	NAME	QTY	ACQ/INA	DESCRIPTION
A5225	Bracket, Dual Computer Monitor, Desk-Mounted	1	V V	Desk-mounted bracket that supports two LCD computer monitors, or laptop and monitor configuration. Extends LCD's or laptop up to 25" with an adjustment range of 18". Desk clamp attaches to edge up to 2.6" thick. Maximum combined weight supported not to exceed 50 lbs.
A6046	Artwork, Decorative, With Frame	1	V V	Decorative Artwork. Final selection and location to be done at the project level.
E0204	Worksurface, w/Overhd Cab & Drwrs, Wall Mtd, 24" W	1	V V	Typically includes: 2 Vertical Hanging Strips 1 Lockable Flipper Unit 1 Shelf, Storage/Display 1 Light 1 Cantilevered Work Surface 2 Storage Frames 2 Drawers, 3"H 3 Drawers, 6"H
E0224	Worksurface, Computer, O/H Cab, Wall Mtd, 60" W	1	V V	Typically includes: 3 Vertical Hanging Strips 2 Lockable Flipper Units 2 Shelves, Storage/Display 2 Lights 1 Tack board 2 Tool Rails 2 Paper Trays 1 Diagonal Tray 1 Cantilevered Work Surface 1 Adjustable Keyboard Tray 1 Stationary Pedestal, Box/Box/File
F0205	Chair, Side With Arms	2	V V	Upholstered side chair, 32" high X 21" wide X 23" deep with arms, padded seats and padded backs. Seat height is a minimum of 17". Available with or without sled base.
F0340	Stool, Self Adjusting	2	V V	Self adjusting stool. Consists of a foam padded upholstered seat with attached foot rest for added comfort. Mounted on swivel casters. Designed for doctor's use during examinations.
F2010	Basket, Wastepaper, Step-On	1	V V	"Step-on" wastepaper basket with inner liner and foot pedal activated flip top.
F3200	Clock, Battery, 12" Diameter	1	V V	Clock, 12" diameter. Round surface, easy to read numbers with sweep second hand. Wall mounted unit for use when impractical to install a fully synchronized clock system. Battery operated, (batteries not included).

**IMAGING ROOM, OPTOMETRY (OPIM2)**  
**Room Content List**

JSN	NAME	QTY	ACQ/INA	DESCRIPTION
M1800	Flat Panel Monitor	1	V V	A flat panel display is a television, monitor or other display appliance that uses a thin panel design instead of a traditional cathode ray tube (CRT) design. These screens are much lighter and thinner, and can be much more portable than traditional televisions and monitors. They also have higher resolution than older models.
M1801	Computer, Microprocessing, w/Flat Panel Monitor	1	V V	Desk top microprocessing computer. The unit shall consist of a central processing mini tower, flat panel monitor, keyboard, mouse and speakers. The computer is used throughout the facility to input, manipulate and retrieve information.
M1825	Printer, Computer	1	V V	High resolution computer printer with a variety of type styles and sheet/envelope feeder trays. Database information reflects network ready, medium duty office style laser printers.
M5025	Table, Instrument, Ophthalmic, Adjustable	2	V V	Ophthalmic adjustable instrument table. Four toed pedestal type base with foot pedal brake or hand operated clamp for securing table adjustment. Designed for use with slit lamp, ophthalmometer, perimeter and screening instruments.
M6045	Corneal Topography Unit	1	V V	Computerized corneal mapping system for pre- and post- surgical diagnosis of astigmatism, refractive error, irregularly shaped corneas and other eye conditions. The unit performs analysis of 5,000 - 6,000 different points on a ring pattern reflected from the patient's cornea to quantify the curvature and contours of the corneal surface.
P3200	Lavatory, Vitreous China, Slab Type w/ Sens Op Fauc	1	C C	Wall mounted, slab type, vitreous china, lavatory (approximately 7 x 15 x 10 inches) with faucet holes on 4 inch centers; electronic sensor operated, goose neck spout and grid strainer. It shall be suitable for use in clinics, offices and patient care areas.
UXXX3 A5048	Safe, Medication	1	V V	A wall-mounted 1.2 cu.ft. all steel safe with electronic lock, used for the secure storage of medications needed during patient examination / treatment.
UXXX4 M5564	Specular Microscope	1	V V	A noninvasive photographic technique that facilitates accurate diagnosis of common ocular conditions such as glaucoma, uveitis and dystrophy by allowing a close look of the corneal endothelium.

THIS PAGE INTENTIONALLY LEFT BLANK



**IMAGING ROOM, OPHTHALMOLOGY (OPIM1)**  
**IMAGING ROOM, OPTOMETRY (OPIM2)**  
**Room Data Sheet**

ARCHITECTURAL	
Ceiling:	AT
Ceiling Height:	9'-0"
Wall Finish:	Paint
Base:	RB
Floor Finish:	LVT
Door:	
Hardware	1L
Glazing:	

LIGHTING	
Maintained Average Illumination-Ambient:	500 Lux (50 FC)
Maintained Average Illumination-Examination of Outer Eye:	1000 Lux (100 FC)
Maintained Average Illumination-Reading & Color Vision Test:	500 Lux (50 FC)

- General:**
- Dimmable 2' x 4' Fluorescent or LED Light Fixture. See Lighting Manual for illumination, color temperature, and color rendering levels .
  - Dimmable Fluorescent or LED can light. Provide switching and dimming to provide various light levels.

POWER	
<b>Normal Power:</b>	To be connected to selected receptacles and equipment as shown.
<b>Emergency Power:</b>	As determined by the Facility.

- Notes:**
- Emergency Power shown is minimum. Exact number of emergency power receptacles and equipment connections to be determined on a project specific basis.
  - Coordinate electrical requirements with specific equipment.

COMMUNICATIONS/SPECIAL SYSTEMS	
Data:	Yes
Telephone:	Yes
Cable Television:	No
Duress Alarm	No
Electronic Access and Door Control:	No
Intercom:	No
Motion Intrusion Detection (MID):	No
Nurse Call:	No
Code Blue:	No
Public Address:	No
Security Surveillance Television (SSTV):	No
VA Satellite TV:	No
Video Teleconferencing (VTEL):	No
Battery Operated Clock	Yes
In Use Light:	No

HEATING, VENTILATING AND AIR CONDITIONING	
Dry Bulb Temp Cooling:	Refer to HVAC Design Manual
Dry Bulb Temp Heating:	Refer to HVAC Design Manual
Minimum % Outside Air:	Refer to HVAC Design Manual
100% Exhaust Air:	N/A
Noise Criteria:	Refer to HVAC Design Manual
Steam:	N/A
Relative Humidity/Cooling:	Refer to HVAC Design Manual
Relative Humidity/Heating:	Refer to HVAC Design Manual
Minimum Air Changes/Hr.:	Refer to HVAC Design Manual
Room Pressure:	Refer to HVAC Design Manual
AC Load Lights:	As Required
AC Load Equipment:	As Required
Number of People:	4
Special Equipment:	N/A

PLUMBING AND MEDICAL GASES	
Cold Water:	Yes
Hot Water:	Yes
Laboratory Air:	No
Laboratory Vacuum:	No
Sanitary/Vent:	Yes
Medical Air:	No
Medical Vacuum:	No
Oxygen:	No
Nitrogen Oxide:	No
Nitrogen	No
Anesthesia Evac:	No
Sprinkler:	Yes
Tempered Water:	No
Water Control:	No

SPECIAL EQUIPMENT	
See Room Content List	

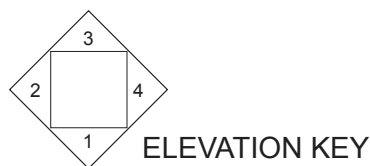
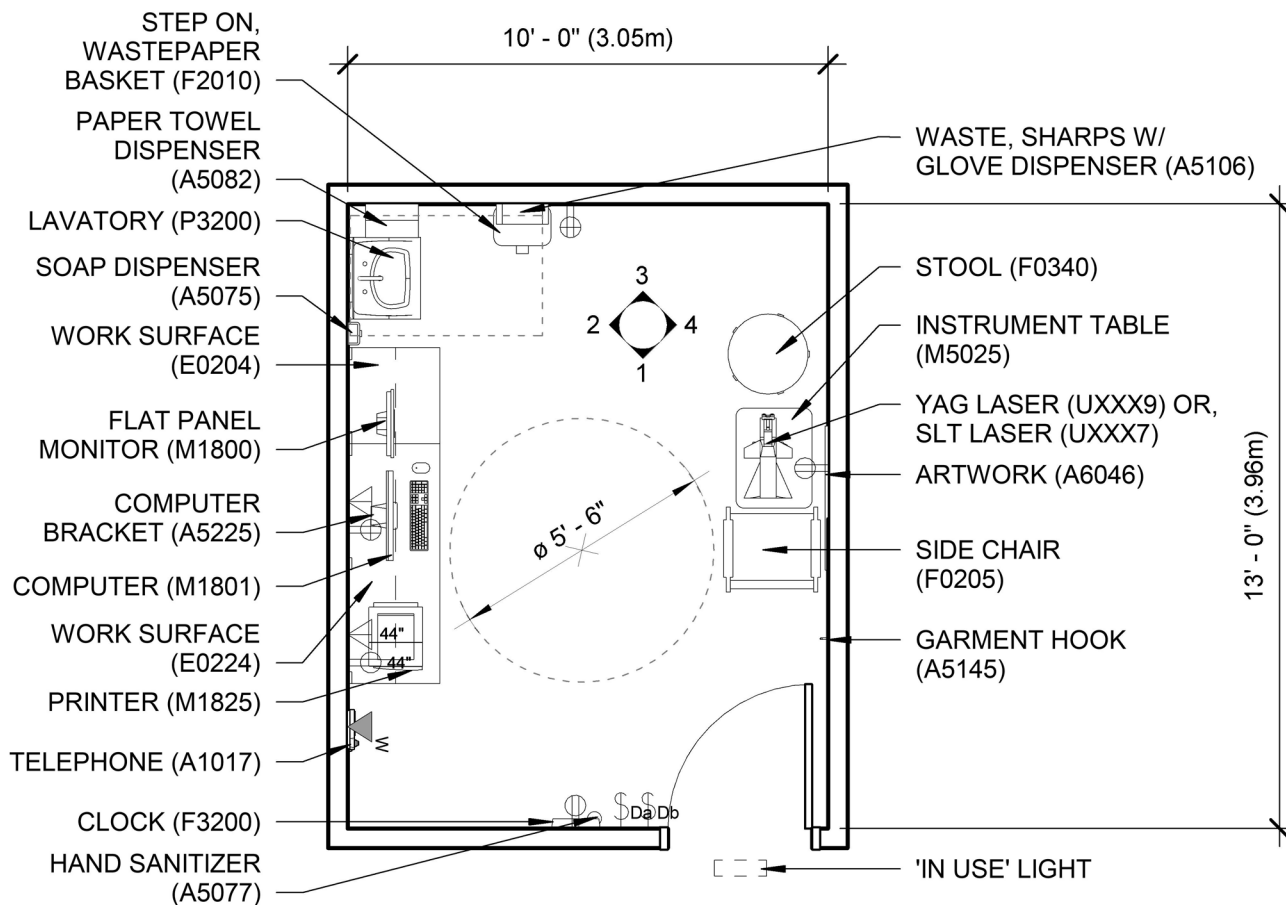
THIS PAGE INTENTIONALLY LEFT BLANK



YAG LASER ROOM, OPHTHALMOLOGY (OPLS1)  
 SLT LASER ROOM, OPHTHALMOLOGY (OPLS3)

NOTE: Design Plates are graphical representations of selected room types, illustrating the integration of space, components, systems, and equipment. They provide typical configurations and general technical guidance, and are not intended to be project specific. Specific infrastructure design requirements are contained in VA Design Manuals and Space Planning Criteria located in the VA Technical Information Library.

THIS PAGE INTENTIONALLY LEFT BLANK



SCALE 1/4" = 1'-0"

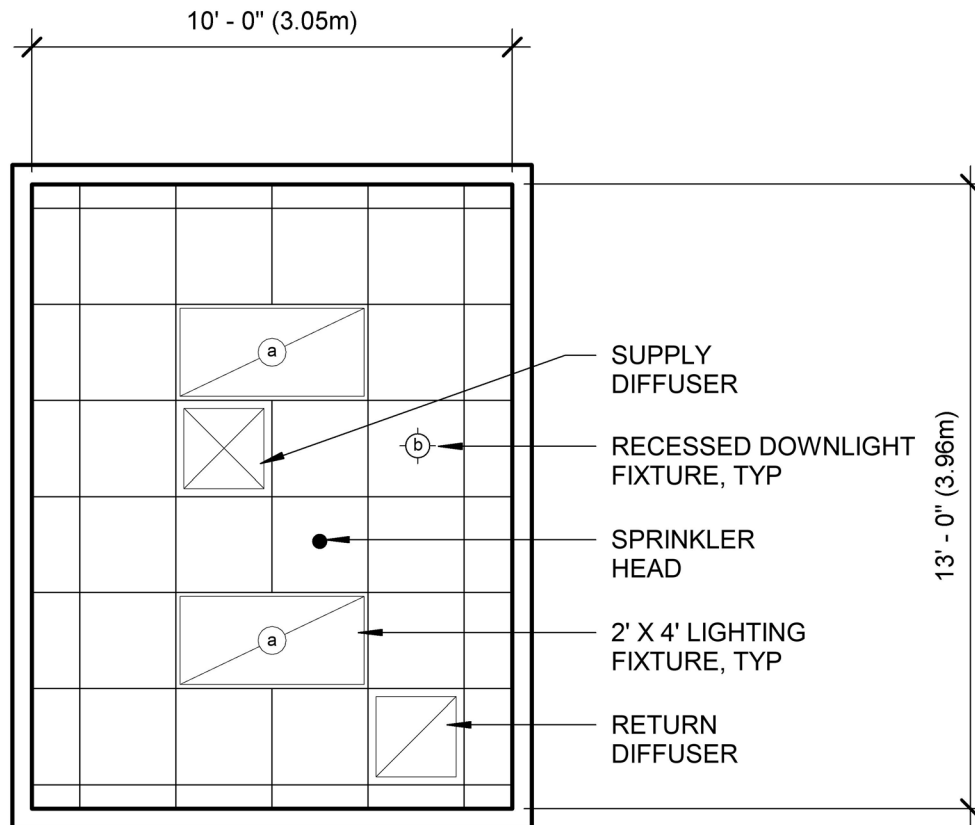
YAG LASER ROOM, OPHTHALMOLOGY (OPLS1)  
 SLT LASER ROOM, OPHTHALMOLOGY (OPLS3)



Floor/Equipment Plan (130 NSF / 12.1 NSM)

NOTE: Design Plates are graphical representations of selected room types, illustrating the integration of space, components, systems, and equipment. They provide typical configurations and general technical guidance, and are not intended to be project specific. Specific infrastructure design requirements are contained in VA Design Manuals and Space Planning Criteria located in the VA Technical Information Library.

THIS PAGE INTENTIONALLY LEFT BLANK



YAG LASER ROOM, OPHTHALMOLOGY (OPLS1)  
 SLT LASER ROOM, OPHTHALMOLOGY (OPLS3)

SCALE 1/4" = 1'-0"

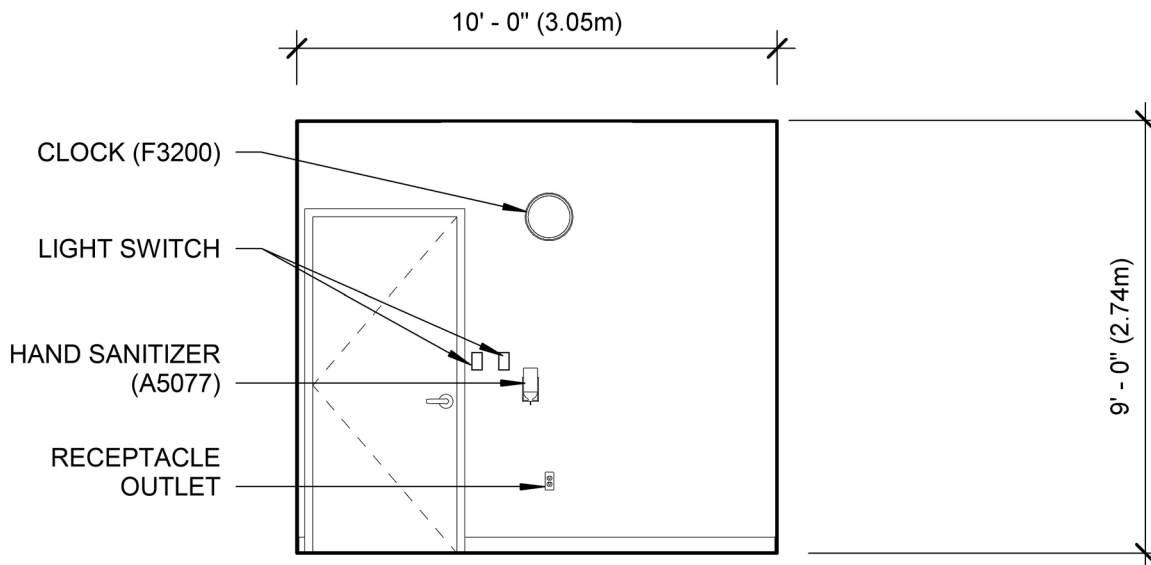


Reflected Ceiling Plan

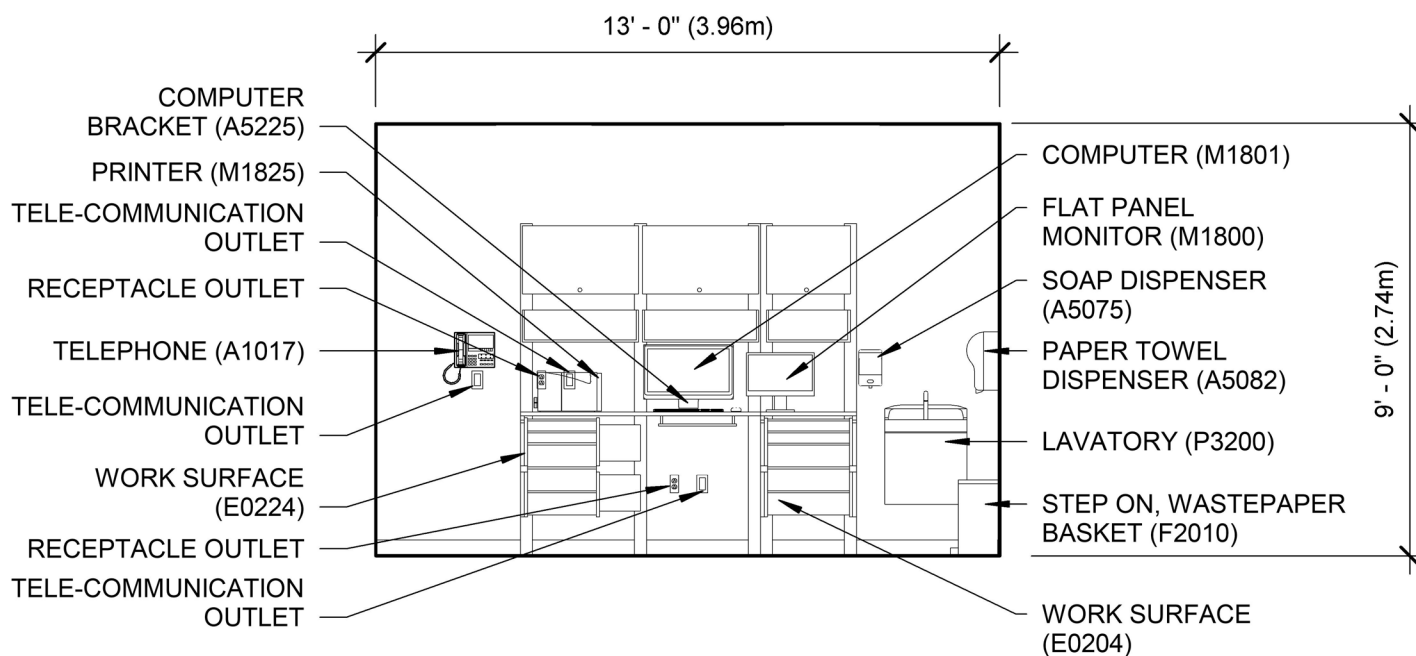
NOTE: Design Plates are graphical representations of selected room types, illustrating the integration of space, components, systems, and equipment. They provide typical configurations and general technical guidance, and are not intended to be project specific. Specific infrastructure design requirements are contained in VA Design Manuals and Space Planning Criteria located in the VA Technical Information Library.

THIS PAGE INTENTIONALLY LEFT BLANK





**Elevation 1**



**Elevation 2**

YAG LASER ROOM, OPHTHALMOLOGY (OPLS1)  
 SLT LASER ROOM, OPHTHALMOLOGY (OPLS3)

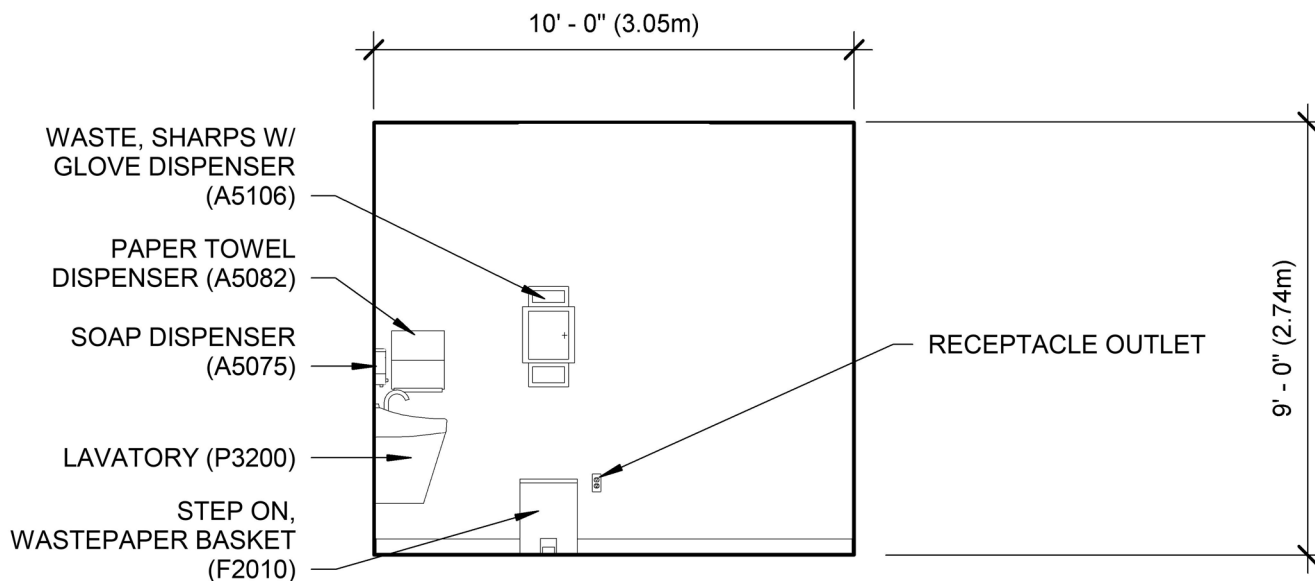
SCALE 1/4" = 1'-0"



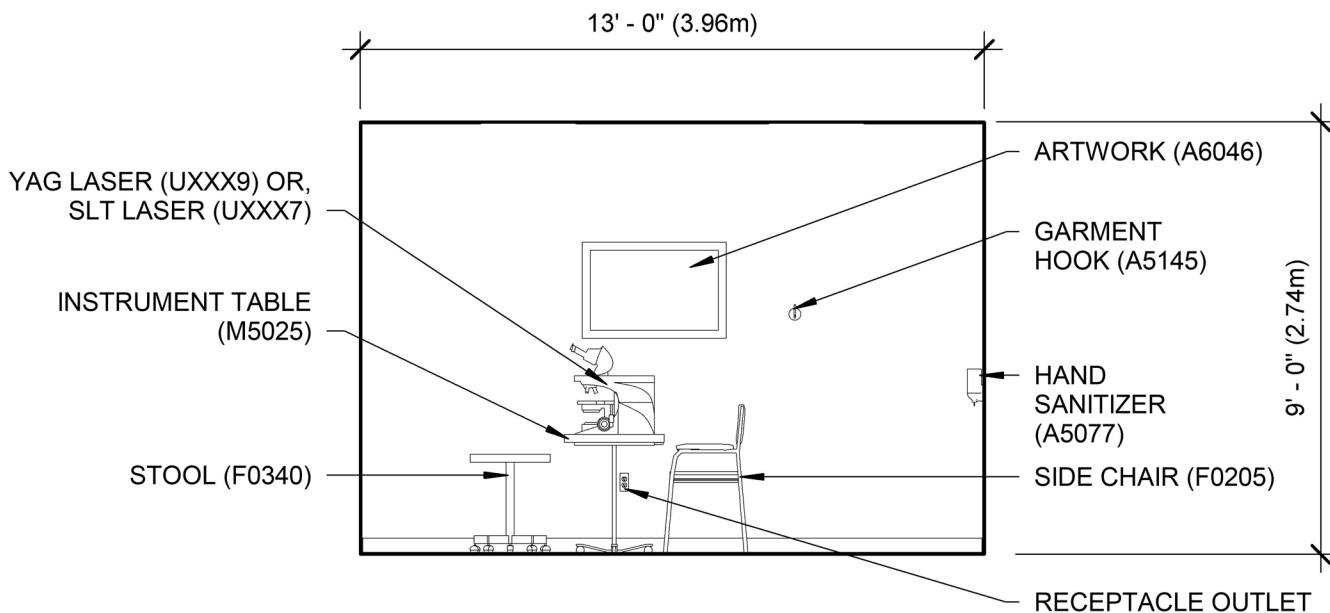
ELEVATIONS

NOTE: Design Plates are graphical representations of selected room types, illustrating the integration of space, components, systems, and equipment. They provide typical configurations and general technical guidance, and are not intended to be project specific. Specific infrastructure design requirements are contained in VA Design Manuals and Space Planning Criteria located in the VA Technical Information Library.

THIS PAGE INTENTIONALLY LEFT BLANK



Elevation 3



Elevation 4

YAG LASER ROOM, OPHTHALMOLOGY (OPLS1)  
SLT LASER ROOM, OPHTHALMOLOGY (OPLS3)

SCALE 1/4" = 1'-0"



ELEVATIONS

NOTE: Design Plates are graphical representations of selected room types, illustrating the integration of space, components, systems, and equipment. They provide typical configurations and general technical guidance, and are not intended to be project specific. Specific infrastructure design requirements are contained in VA Design Manuals and Space Planning Criteria located in the VA Technical Information Library.

THIS PAGE INTENTIONALLY LEFT BLANK

**YAG LASER ROOM, OPHTHALMOLOGY (OPLS1)****Room Content List**

JSN	NAME	QTY	ACQ/INA	DESCRIPTION
A1010	Telecommunication Outlet	2	V V	Telecommunication outlet location.
A1017	Telephone, Wall Mounted, Multi-Line, With Speaker	1	V V	Telephone, wall mounted, multi-line with speaker.
A5075	Dispenser, Soap, Disposable	1	V V	Disposable soap dispenser. One-handed dispensing operation. Designed to accommodate disposable soap cartridge and valve.
A5077	Dispenser, Hand Sanitizer, Hands-Free	1	V V	A touch free wall-mounted hand sanitizer dispenser. For use throughout a healthcare facility. Unit does not include the sanitizing liquid. Units are battery operated.
A5082	Dispenser, Paper Towel, Sensor, Hands Free	1	C C	A surface mounted, sensor activated, automatic, roll paper towel dispenser. The unit dispenses a paper towel automatically only when hands are placed in position below the dispenser for maximum sanitation and hygiene. May include adjustable settings for sheet length, time delay, and sensor range. Unit is battery operated or with optional AC power adapter.
A5106	Waste Disposal Unit, Sharps w/Glove Dispenser	1	V V	The unit is designed for the disposal of sharps and complies with OSHA guidelines for the handling of sharps. It shall house a 5 quart container and be capable of being mounted on a wall. It shall have a glove dispenser attached. The unit shall be secured by a locked enclosure.
A5145	Hook, Garment, Double, SS, Surface Mounted	1	C C	A surface mounted, satin finish stainless steel, double garment hook. Equipped with a concealed mounting bracket that is secured to a concealed wall plate. For general purpose use throughout the facility to hang various items of apparel.
A5225	Bracket, Dual Computer Monitor, Desk-Mounted	1	V V	Desk-mounted bracket that supports two LCD computer monitors, or laptop and monitor configuration. Extends LCD's or laptop up to 25" with an adjustment range of 18". Desk clamp attaches to edge up to 2.6" thick. Maximum combined weight supported not to exceed 50 lbs.
A6046	Artwork, Decorative, With Frame	1	V V	Decorative Artwork. Final selection and location to be done at the project level.

**YAG LASER ROOM, OPHTHALMOLOGY (OPLS1)****Room Content List**

JSN	NAME	QTY	ACQ/INA	DESCRIPTION
E0204	Worksurface, w/Overhd Cab & Drwrs, Wall Mtd, 24" W	1	V V	Typically includes: 2 Vertical Hanging Strips 1 Lockable Flipper Unit 1 Shelf, Storage/Display 1 Light 1 Cantilevered Work Surface 2 Storage Frames 2 Drawers, 3"H 3 Drawers, 6"H
E0224	Worksurface, Computer, O/H Cab, Wall Mtd, 60" W	1	V V	Typically includes: 3 Vertical Hanging Strips 2 Lockable Flipper Units 2 Shelves, Storage/Display 2 Lights 1 Tack board 2 Tool Rails 2 Paper Trays 1 Diagonal Tray 1 Cantilevered Work Surface 1 Adjustable Keyboard Tray 1 Stationary Pedestal, Box/Box/File
F0205	Chair, Side With Arms	1	V V	Upholstered side chair, 32" high X 21" wide X 23" deep with arms, padded seats and padded backs. Seat height is a minimum of 17". Available with or without sled base.
F0340	Stool, Self Adjusting	1	V V	Self adjusting stool. Consists of a foam padded upholstered seat with attached foot rest for added comfort. Mounted on swivel casters. Designed for doctor's use during examinations.
F2010	Basket, Wastepaper, Step-On	1	V V	"Step-on" wastepaper basket with inner liner and foot pedal activated flip top.
F3200	Clock, Battery, 12" Diameter	1	V V	Clock, 12" diameter. Round surface, easy to read numbers with sweep second hand. Wall mounted unit for use when impractical to install a fully synchronized clock system. Battery operated, (batteries not included).
M1800	Flat Panel Monitor	1	V V	A flat panel display is a television, monitor or other display appliance that uses a thin panel design instead of a traditional cathode ray tube (CRT) design. These screens are much lighter and thinner, and can be much more portable than traditional televisions and monitors. They also have higher resolution than older models.

**YAG LASER ROOM, OPHTHALMOLOGY (OPLS1)****Room Content List**

JSN	NAME	QTY	ACQ/INA	DESCRIPTION
M1801	Computer, Microprocessing, w/Flat Panel Monitor	1	V V	Desk top microprocessing computer. The unit shall consist of a central processing mini tower, flat panel monitor, keyboard, mouse and speakers. The computer is used throughout the facility to input, manipulate and retrieve information.
M1825	Printer, Computer	1	V V	High resolution computer printer with a variety of type styles and sheet/envelope feeder trays. Database information reflects network ready, medium duty office style laser printers.
M5025	Table, Instrument, Ophthalmic, Adjustable	1	V V	Ophthalmic adjustable instrument table. Four toed pedestal type base with foot pedal brake or hand operated clamp for securing table adjustment. Designed for use with slit lamp, ophthalmometer, perimeter and screening instruments.
P3200	Lavatory, Vitreous China, Slab Type w/ Sens Op Fauc	1	C C	Wall mounted, slab type, vitreous china, lavatory (approximately 7 x 15 x 10 inches) with faucet holes on 4 inch centers; electronic sensor operated, goose neck spout and grid strainer. It shall be suitable for use in clinics, offices and patient care areas.
UXXX9 M5514	Laser System, YAG	1	V V	YAG (yttrium aluminum garnet crystals) laser is commonly used in treatment of many retinal conditions such as proliferative diabetic retinopathy, diabetic macular edema, vein occlusions etc. It has many advantages when compared with conventional single spot laser, as it is produced at a very short duration (10-20 msec) compared to (100-200 msec) of conventional single spot one which leads to less collateral retinal damage. Other advantages include relatively stable scar size, less destructive same efficiency. It also permits the application of different patterns that gives more regular spots on retina with less duration.

THIS PAGE INTENTIONALLY LEFT BLANK



**SLT LASER ROOM, OPHTHALMOLOGY (OPLS3)****Room Content List**

JSN	NAME	QTY	ACQ/INA	DESCRIPTION
A1010	Telecommunication Outlet	2	V V	Telecommunication outlet location.
A1017	Telephone, Wall Mounted, Multi-Line, With Speaker	1	V V	Telephone, wall mounted, multi-line with speaker.
A5075	Dispenser, Soap, Disposable	1	V V	Disposable soap dispenser. One-handed dispensing operation. Designed to accommodate disposable soap cartridge and valve.
A5077	Dispenser, Hand Sanitizer, Hands-Free	1	V V	A touch free wall-mounted hand sanitizer dispenser. For use throughout a healthcare facility. Unit does not include the sanitizing liquid. Units are battery operated.
A5082	Dispenser, Paper Towel, Sensor, Hands Free	1	C C	A surface mounted, sensor activated, automatic, roll paper towel dispenser. The unit dispenses a paper towel automatically only when hands are placed in position below the dispenser for maximum sanitation and hygiene. May include adjustable settings for sheet length, time delay, and sensor range. Unit is battery operated or with optional AC power adapter.
A5106	Waste Disposal Unit, Sharps w/Glove Dispenser	1	V V	The unit is designed for the disposal of sharps and complies with OSHA guidelines for the handling of sharps. It shall house a 5 quart container and be capable of being mounted on a wall. It shall have a glove dispenser attached. The unit shall be secured by a locked enclosure.
A5145	Hook, Garment, Double, SS, Surface Mounted	1	C C	A surface mounted, satin finish stainless steel, double garment hook. Equipped with a concealed mounting bracket that is secured to a concealed wall plate. For general purpose use throughout the facility to hang various items of apparel.
A5225	Bracket, Dual Computer Monitor, Desk-Mounted	1	V V	Desk-mounted bracket that supports two LCD computer monitors, or laptop and monitor configuration. Extends LCD's or laptop up to 25" with an adjustment range of 18". Desk clamp attaches to edge up to 2.6" thick. Maximum combined weight supported not to exceed 50 lbs.
A6046	Artwork, Decorative, With Frame	1	V V	Decorative Artwork. Final selection and location to be done at the project level.
E0204	Worksurface, w/Overhd Cab & Drwrs, Wall Mtd, 24" W	1	V V	Typically includes: 2 Vertical Hanging Strips 1 Lockable Flipper Unit 1 Shelf, Storage/Display 1 Light 1 Cantilevered Work Surface 2 Storage Frames 2 Drawers, 3"H 3 Drawers, 6"H

## SLT LASER ROOM, OPHTHALMOLOGY (OPLS3)

## Room Content List

JSN	NAME	QTY	ACQ/INA	DESCRIPTION
E0224	Worksurface, Computer, O/H Cab, Wall Mtd, 60" W	1	V V	Typically includes: 3 Vertical Hanging Strips 2 Lockable Flipper Units 2 Shelves, Storage/Display 2 Lights 1 Tack board 2 Tool Rails 2 Paper Trays 1 Diagonal Tray 1 Cantilevered Work Surface 1 Adjustable Keyboard Tray 1 Stationary Pedestal, Box/Box/File
F0205	Chair, Side With Arms	1	V V	Upholstered side chair, 32" high X 21" wide X 23" deep with arms, padded seats and padded backs. Seat height is a minimum of 17". Available with or without sled base.
F0340	Stool, Self Adjusting	1	V V	Self adjusting stool. Consists of a foam padded upholstered seat with attached foot rest for added comfort. Mounted on swivel casters. Designed for doctor's use during examinations.
F2010	Basket, Wastepaper, Step-On	1	V V	"Step-on" wastepaper basket with inner liner and foot pedal activated flip top.
F3200	Clock, Battery, 12" Diameter	1	V V	Clock, 12" diameter. Round surface, easy to read numbers with sweep second hand. Wall mounted unit for use when impractical to install a fully synchronized clock system. Battery operated, (batteries not included).
M1800	Flat Panel Monitor	1	V V	A flat panel display is a television, monitor or other display appliance that uses a thin panel design instead of a traditional cathode ray tube (CRT) design. These screens are much lighter and thinner, and can be much more portable than traditional televisions and monitors. They also have higher resolution than older models.
M1801	Computer, Microprocessing, w/Flat Panel Monitor	1	V V	Desk top microprocessing computer. The unit shall consist of a central processing mini tower, flat panel monitor, keyboard, mouse and speakers. The computer is used throughout the facility to input, manipulate and retrieve information.
M1825	Printer, Computer	1	V V	High resolution computer printer with a variety of type styles and sheet/envelope feeder trays. Database information reflects network ready, medium duty office style laser printers.

**SLT LASER ROOM, OPHTHALMOLOGY (OPLS3)****Room Content List**

JSN	NAME	QTY	ACQ/INA	DESCRIPTION
M5025	Table, Instrument, Ophthalmic, Adjustable	1	V V	Ophthalmic adjustable instrument table. Four toed pedestal type base with foot pedal brake or hand operated clamp for securing table adjustment. Designed for use with slit lamp, ophthalmometer, perimeter and screening instruments.
P3200	Lavatory, Vitreous China, Slab Type w/ Sens Op Fauc	1	C C	Wall mounted, slab type, vitreous china, lavatory (approximately 7 x 15 x 10 inches) with faucet holes on 4 inch centers; electronic sensor operated, goose neck spout and grid strainer. It shall be suitable for use in clinics, offices and patient care areas.
UXXX7 M5519	Laser System, SLT	1	V V	SLT (selective laser trabeculoplasty) is a non-invasive highly effective laser therapy for the treatment of glaucoma. It uses short pulses of relatively low-energy, 532nm light to selectively target and irradiate the pigmented (melanin) cells in the trabecular meshwork (TM) to stimulate a process of cellular regeneration.

THIS PAGE INTENTIONALLY LEFT BLANK

**YAG LASER ROOM, OPHTHALMOLOGY (OPLS1)  
SLT LASER ROOM, OPHTHALMOLOGY (OPLS3)  
Room Data Sheet**

**ARCHITECTURAL**

Ceiling:	AT
Ceiling Height:	9'-0"
Wall Finish:	Paint
Base:	RB
Floor Finish:	LVT
Door:	
Hardware	1L

**Glazing:**

**LIGHTING**

Maintained Average Illumination-Ambient:	500 Lux (50 FC)
Maintained Average Illumination-Examination of Outer Eye:	1000 Lux (100 FC)
Maintained Average Illumination-Reading & Color Vision Test:	500 Lux (50 FC)

- General:**
1. Dimmable 2' x 4' Fluorescent or LED Light Fixture. See Lighting Manual for illumination, color temperature, and color rendering levels .
  2. Dimmable Fluorescent or LED can light. Provide switching and dimming to provide various light levels.

**POWER**

**Normal Power:** To be connected to selected receptacles and equipment as shown.

**Emergency Power:** As determined by the Facility.

- Notes:**
1. Emergency Power shown is minimum. Exact number of emergency power receptacles and equipment connections to be determined on a project specific basis.
  2. Coordinate electrical requirements with specific equipment.

**COMMUNICATIONS/SPECIAL SYSTEMS**

Data:	Yes
Telephone:	Yes
Cable Television:	No
Duress Alarm	No
Electronic Access and Door Control:	No
Intercom:	No
Motion Intrusion Detection (MID):	No
Nurse Call:	No
Code Blue:	No
Public Address:	No
Security Surveillance Television (SSTV):	No
VA Satellite TV:	No
Video Conferencing (VTEL):	No
Battery Operated Clock	Yes
In Use Light:	Yes

**HEATING, VENTILATING AND AIR CONDITIONING**

Dry Bulb Temp Cooling:	Refer to HVAC Design Manual
Dry Bulb Temp Heating:	Refer to HVAC Design Manual
Minimum % Outside Air:	Refer to HVAC Design Manual
100% Exhaust Air:	N/A
Noise Criteria:	Refer to HVAC Design Manual
Steam:	N/A
Relative Humidity/Cooling:	Refer to HVAC Design Manual
Relative Humidity/Heating:	Refer to HVAC Design Manual
Minimum Air Changes/Hr.:	Refer to HVAC Design Manual
Room Pressure:	Refer to HVAC Design Manual
AC Load Lights:	As Required
AC Load Equipment:	As Required
Number of People:	2
Special Equipment:	N/A

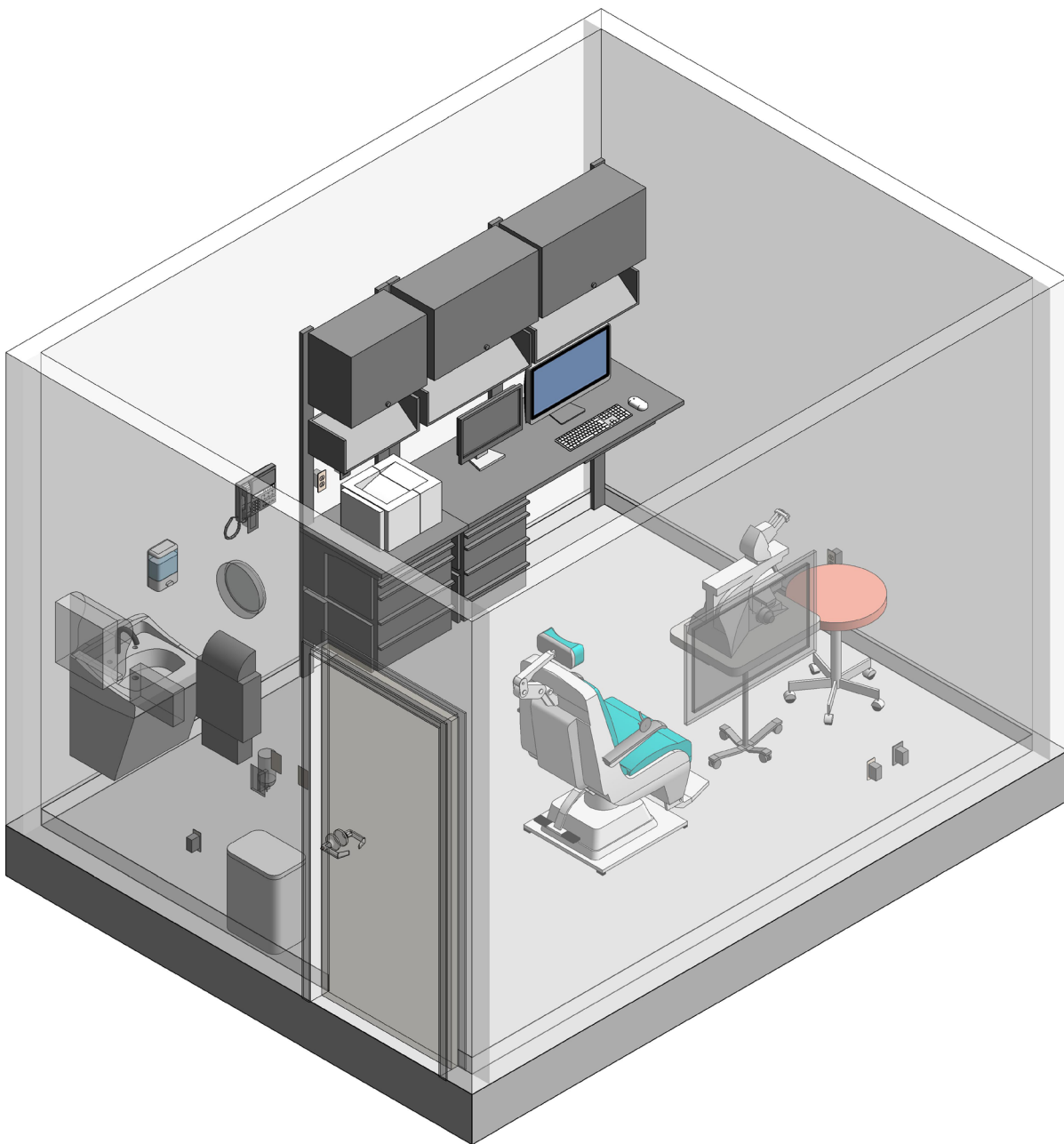
**PLUMBING AND MEDICAL GASES**

Cold Water:	Yes
Hot Water:	Yes
Laboratory Air:	No
Laboratory Vacuum:	No
Sanitary/Vent:	Yes
Medical Air:	No
Medical Vacuum:	No
Oxygen:	No
Nitrogen Oxide:	No
Nitrogen	No
Anesthesia Evac:	No
Sprinkler:	Yes
Tempered Water:	No
Water Control:	No

**SPECIAL EQUIPMENT**

See Room Content List

THIS PAGE INTENTIONALLY LEFT BLANK

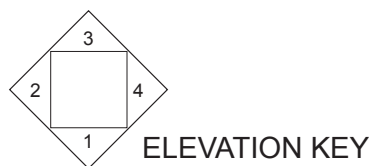
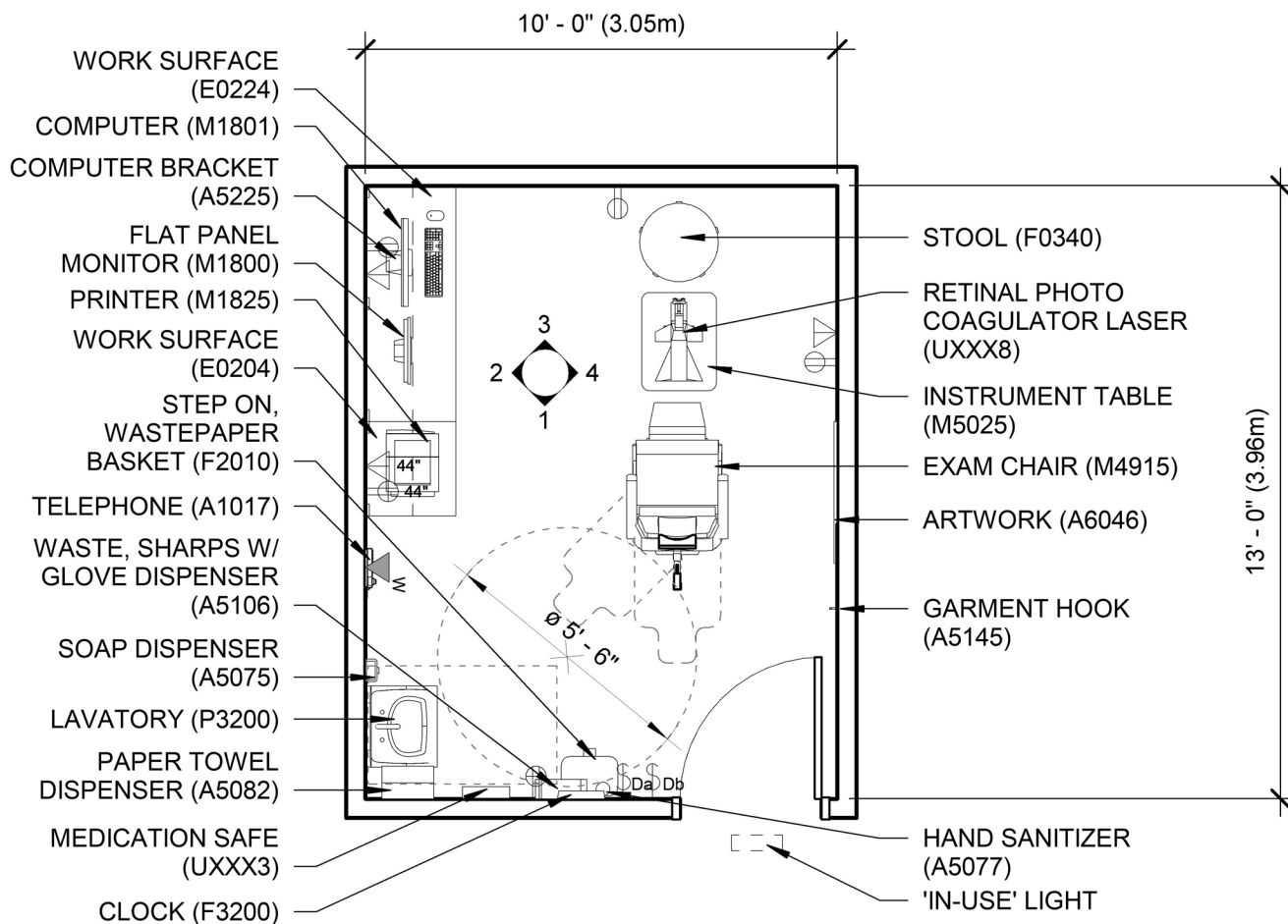


RETINAL PHOTOCOAGULATION LASER ROOM,  
OPHTHALMOLOGY (OPLS2)

NOTE: Design Plates are graphical representations of selected room types, illustrating the integration of space, components, systems, and equipment. They provide typical configurations and general technical guidance, and are not intended to be project specific. Specific infrastructure design requirements are contained in VA Design Manuals and Space Planning Criteria located in the VA Technical Information Library.

THIS PAGE INTENTIONALLY LEFT BLANK





RETINAL PHOTOCOAGULATION LASER ROOM, OPHTHALMOLOGY (OPLS2)

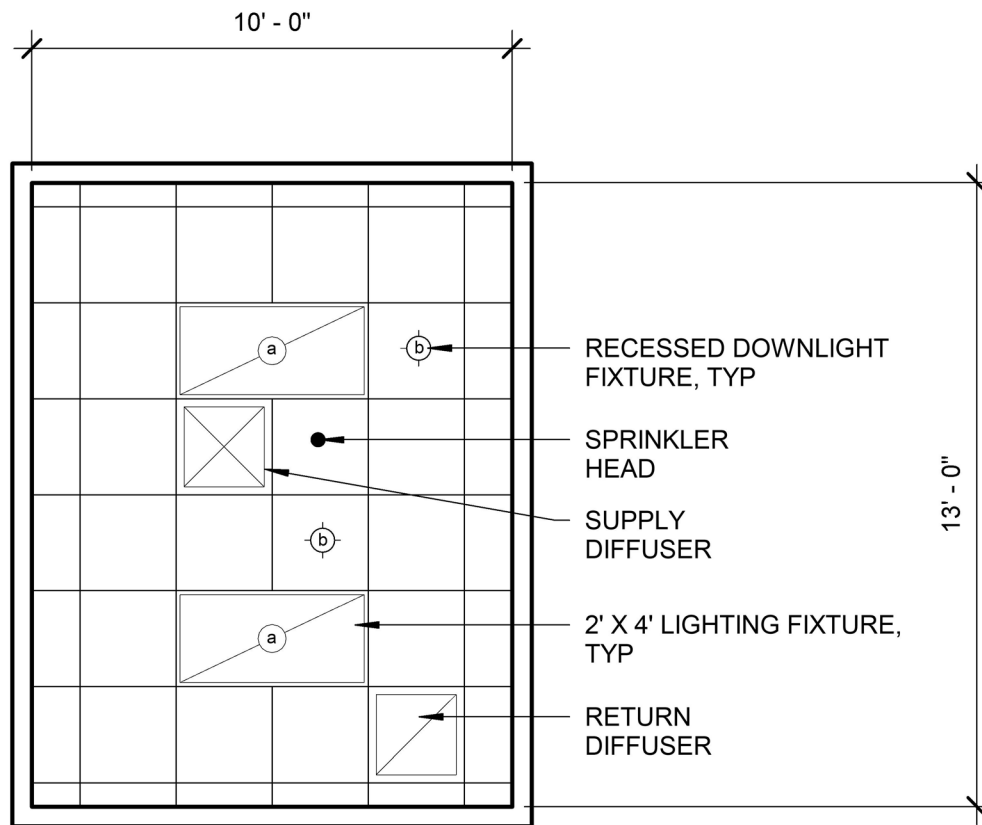
SCALE 1/4" = 1'-0"



Floor/Equipment Plan (130 NSF / 12.1 NSM)

NOTE: Design Plates are graphical representations of selected room types, illustrating the integration of space, components, systems, and equipment. They provide typical configurations and general technical guidance, and are not intended to be project specific. Specific infrastructure design requirements are contained in VA Design Manuals and Space Planning Criteria located in the VA Technical Information Library.

THIS PAGE INTENTIONALLY LEFT BLANK



SCALE 1/4" = 1'-0"

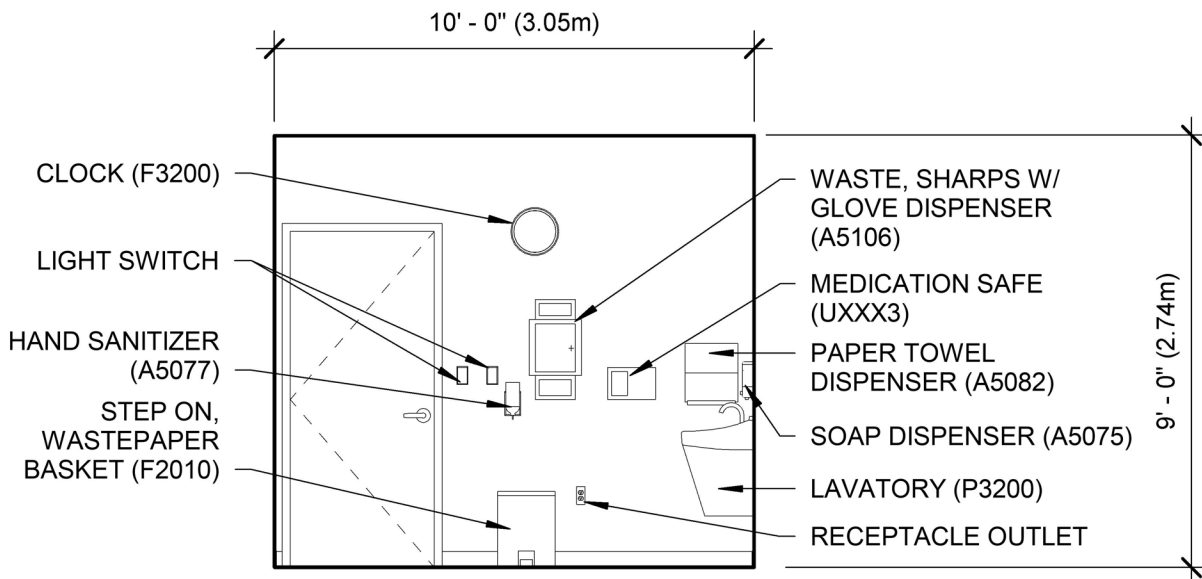
RETINAL PHOTOCOAGULATION LASER ROOM,  
OPHTHALMOLOGY (OPLS2)



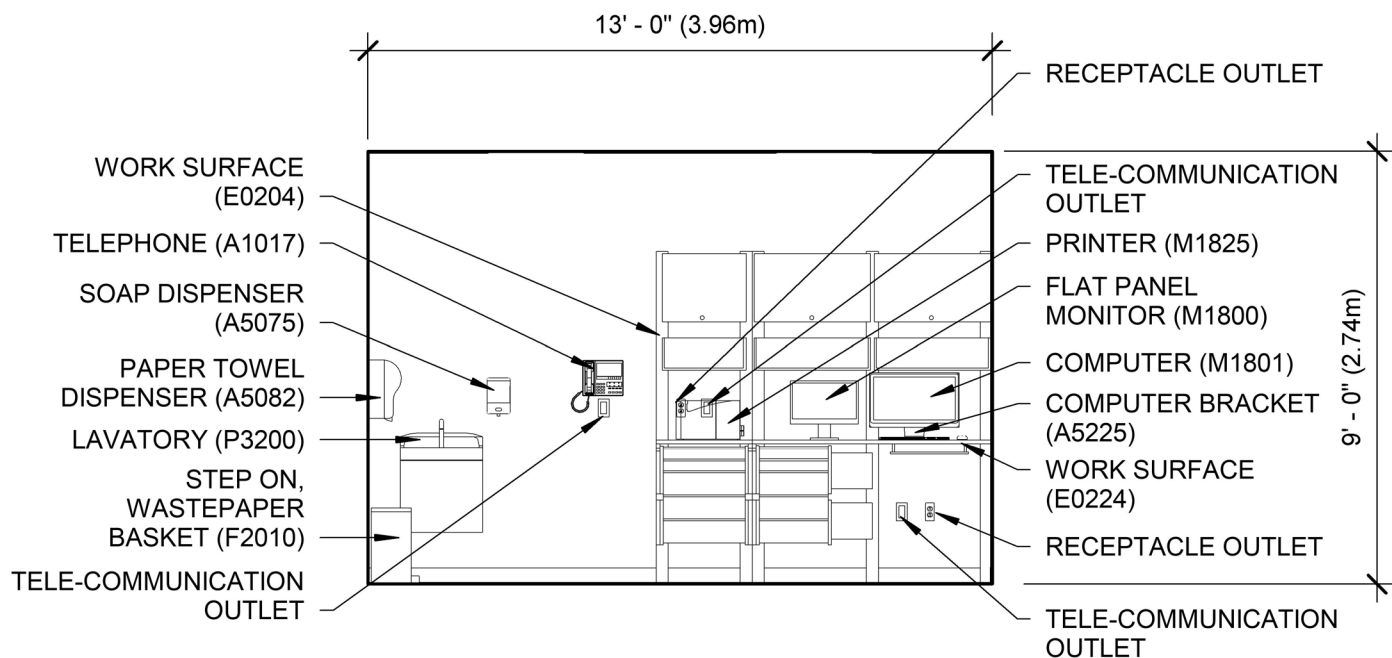
Reflected Ceiling Plan

NOTE: Design Plates are graphical representations of selected room types, illustrating the integration of space, components, systems, and equipment. They provide typical configurations and general technical guidance, and are not intended to be project specific. Specific infrastructure design requirements are contained in VA Design Manuals and Space Planning Criteria located in the VA Technical Information Library.

THIS PAGE INTENTIONALLY LEFT BLANK



**Elevation 1**



**Elevation 2**

RETINAL PHOTOCOAGULATION LASER ROOM,  
OPHTHALMOLOGY (OPLS2)

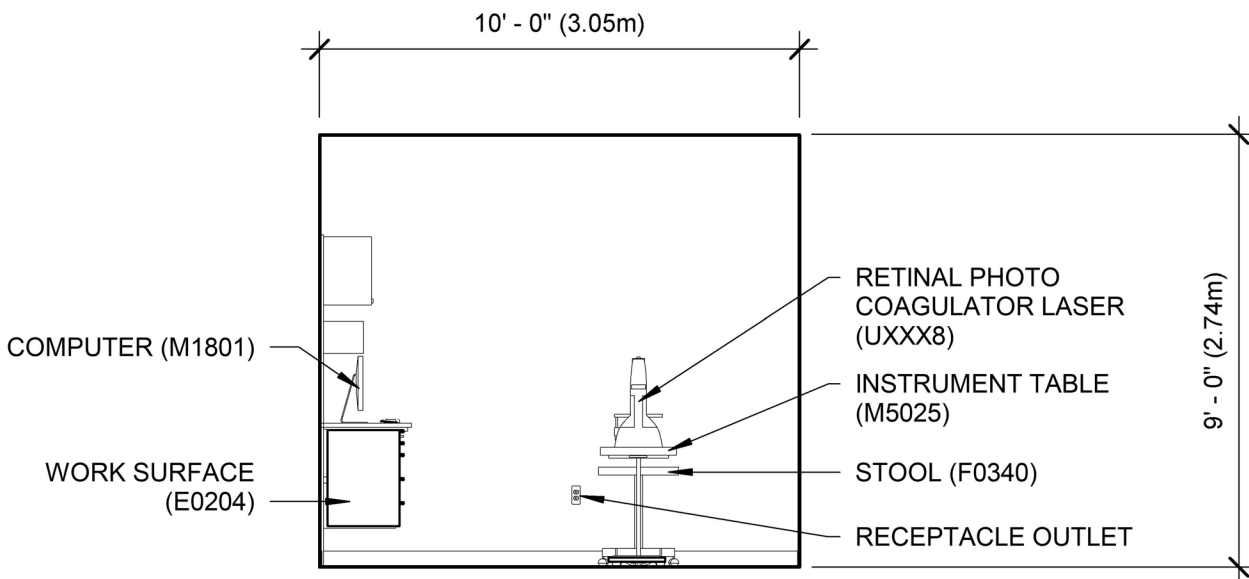
SCALE 1/4" = 1'-0"



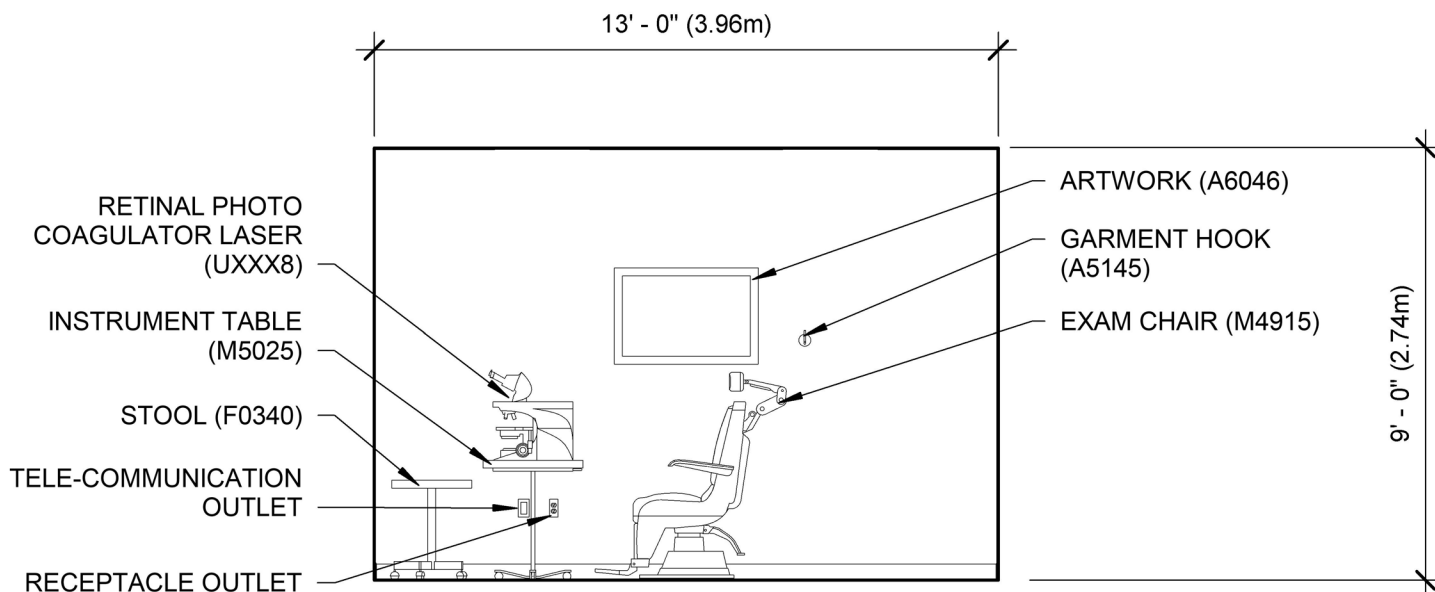
ELEVATIONS

NOTE: Design Plates are graphical representations of selected room types, illustrating the integration of space, components, systems, and equipment. They provide typical configurations and general technical guidance, and are not intended to be project specific. Specific infrastructure design requirements are contained in VA Design Manuals and Space Planning Criteria located in the VA Technical Information Library.

THIS PAGE INTENTIONALLY LEFT BLANK



Elevation 3



Elevation 4

RETINAL PHOTOCOAGULATION LASER ROOM,  
OPHTHALMOLOGY (OPLS2)

SCALE 1/4" = 1'-0"



ELEVATIONS

NOTE: Design Plates are graphical representations of selected room types, illustrating the integration of space, components, systems, and equipment. They provide typical configurations and general technical guidance, and are not intended to be project specific. Specific infrastructure design requirements are contained in VA Design Manuals and Space Planning Criteria located in the VA Technical Information Library.

THIS PAGE INTENTIONALLY LEFT BLANK



**RETINAL PHOTOCOAGULATION LASER ROOM, OPHTHALMOLOGY (OPLS2)****Room Content List**

JSN	NAME	QTY	ACQ/INA	DESCRIPTION
A1010	Telecommunication Outlet	2	V V	Telecommunication outlet location.
A1017	Telephone, Wall Mounted, Multi-Line, With Speaker	1	V V	Telephone, wall mounted, multi-line with speaker.
A5075	Dispenser, Soap, Disposable	1	V V	Disposable soap dispenser. One-handed dispensing operation. Designed to accommodate disposable soap cartridge and valve.
A5077	Dispenser, Hand Sanitizer, Hands-Free	1	V V	A touch free wall-mounted hand sanitizer dispenser. For use throughout a healthcare facility. Unit does not include the sanitizing liquid. Units are battery operated.
A5082	Dispenser, Paper Towel, Sensor, Hands Free	1	C C	A surface mounted, sensor activated, automatic, roll paper towel dispenser. The unit dispenses a paper towel automatically only when hands are placed in position below the dispenser for maximum sanitation and hygiene. May include adjustable settings for sheet length, time delay, and sensor range. Unit is battery operated or with optional AC power adapter.
A5106	Waste Disposal Unit, Sharps w/Glove Dispenser	1	V V	The unit is designed for the disposal of sharps and complies with OSHA guidelines for the handling of sharps. It shall house a 5 quart container and be capable of being mounted on a wall. It shall have a glove dispenser attached. The unit shall be secured by a locked enclosure.
A5145	Hook, Garment, Double, SS, Surface Mounted	1	C C	A surface mounted, satin finish stainless steel, double garment hook. Equipped with a concealed mounting bracket that is secured to a concealed wall plate. For general purpose use throughout the facility to hang various items of apparel.
A5225	Bracket, Dual Computer Monitor, Desk-Mounted	1	V V	Desk-mounted bracket that supports two LCD computer monitors, or laptop and monitor configuration. Extends LCD's or laptop up to 25" with an adjustment range of 18". Desk clamp attaches to edge up to 2.6" thick. Maximum combined weight supported not to exceed 50 lbs.
A6046	Artwork, Decorative, With Frame	1	V V	Decorative Artwork. Final selection and location to be done at the project level.

**RETINAL PHOTOCOAGULATION LASER ROOM, OPHTHALMOLOGY (OPLS2)****Room Content List**

JSN	NAME	QTY	ACQ/INA	DESCRIPTION
E0204	Worksurface, w/Overhd Cab & Drwrs, Wall Mtd, 24" W	1	V V	Typically includes: 2 Vertical Hanging Strips 1 Lockable Flipper Unit 1 Shelf, Storage/Display 1 Light 1 Cantilevered Work Surface 2 Storage Frames 2 Drawers, 3"H 3 Drawers, 6"H
E0224	Worksurface, Computer, O/H Cab, Wall Mtd, 60" W	1	V V	Typically includes: 3 Vertical Hanging Strips 2 Lockable Flipper Units 2 Shelves, Storage/Display 2 Lights 1 Tack board 2 Tool Rails 2 Paper Trays 1 Diagonal Tray 1 Cantilevered Work Surface 1 Adjustable Keyboard Tray 1 Stationary Pedestal, Box/Box/File
F0340	Stool, Self Adjusting	1	V V	Self adjusting stool. Consists of a foam padded upholstered seat with attached foot rest for added comfort. Mounted on swivel casters. Designed for doctor's use during examinations.
F2010	Basket, Wastepaper, Step-On	1	V V	"Step-on" wastepaper basket with inner liner and foot pedal activated flip top.
F3200	Clock, Battery, 12" Diameter	1	V V	Clock, 12" diameter. Round surface, easy to read numbers with sweep second hand. Wall mounted unit for use when impractical to install a fully synchronized clock system. Battery operated, (batteries not included).
M1800	Flat Panel Monitor	1	V V	A flat panel display is a television, monitor or other display appliance that uses a thin panel design instead of a traditional cathode ray tube (CRT) design. These screens are much lighter and thinner, and can be much more portable than traditional televisions and monitors. They also have higher resolution than older models.
M1801	Computer, Microprocessing, w/Flat Panel Monitor	1	V V	Desk top microprocessing computer. The unit shall consist of a central processing mini tower, flat panel monitor, keyboard, mouse and speakers. The computer is used throughout the facility to input, manipulate and retrieve information.

**RETINAL PHOTOCOAGULATION LASER ROOM, OPHTHALMOLOGY (OPLS2)****Room Content List**

JSN	NAME	QTY	ACQ/INA	DESCRIPTION
M1825	Printer, Computer	1	V V	High resolution computer printer with a variety of type styles and sheet/envelope feeder trays. Database information reflects network ready, medium duty office style laser printers.
M4915	Chair, Exam/Treatment, ENT, w/ Adjustable Light	1	V V	ENT exam/treatment chair with adjustable light. Chair can be rotated 330 degrees locking at desired position. Unit is electrically powered for precise positioning and has an adjustable headrest and armrest. It may include an adjustable gooseneck light. Unit is designed for use during examinations, treatments, and minor procedures.
M5025	Table, Instrument, Ophthalmic, Adjustable	1	V V	Ophthalmic adjustable instrument table. Four toed pedestal type base with foot pedal brake or hand operated clamp for securing table adjustment. Designed for use with slit lamp, ophthalmometer, perimeter and screening instruments.
P3200	Lavatory, Vitreous China, Slab Type w/ Sens Op Fauc	1	C C	Wall mounted, slab type, vitreous china, lavatory (approximately 7 x 15 x 10 inches) with faucet holes on 4 inch centers; electronic sensor operated, goose neck spout and grid strainer. It shall be suitable for use in clinics, offices and patient care areas.
UXXX3 A5048	Safe, Medication	1	V V	A wall-mounted 1.2 cu.ft. all steel safe with electronic lock, used for the secure storage of medications needed during patient examination / treatment.
UXXX8 M5517	Laser System, Retinal Photocoagulation	1	V V	A laser treatment used to treat t conditions within the anterior segment of the eye.

THIS PAGE INTENTIONALLY LEFT BLANK

## RETINAL PHOTOCOAGULATION LASER ROOM, OPHTHALMOLOGY (OPLS2) Room Data Sheet

### ARCHITECTURAL

Ceiling:	AT
Ceiling Height:	9'-0"
Wall Finish:	Paint
Base:	RB
Floor Finish:	LVT
Door:	
Hardware	1L
Glazing:	

### LIGHTING

Maintained Average Illumination-Ambient:	500 Lux (50 FC)
Maintained Average Illumination-Examination of Outer Eye:	1000 Lux (100 FC)
Maintained Average Illumination-Reading & Color Vision Test:	500 Lux (50 FC)

#### General:

1. Dimmable 2' x 4' Fluorescent or LED Light Fixture. See Lighting Manual for illumination, color temperature, and color rendering levels .
2. Dimmable Fluorescent or LED can light. Provide switching and dimming to provide various light levels.

### POWER

**Normal Power:** To be connected to selected receptacles and equipment as shown.

**Emergency Power:** As determined by the Facility.

#### Notes:

1. Emergency Power shown is minimum. Exact number of emergency power receptacles and equipment connections to be determined on a project specific basis.
2. Coordinate electrical requirements with specific equipment.

### COMMUNICATIONS/SPECIAL SYSTEMS

Data:	Yes
Telephone:	Yes
Cable Television:	No
Duress Alarm	No
Electronic Access and Door Control:	No
Intercom:	No
Motion Intrusion Detection (MID):	No
Nurse Call:	No
Code Blue:	No
Public Address:	No
Security Surveillance Television (SSTV):	No
VA Satellite TV:	No
Video Teleconferencing (VTEL):	No
Battery Operated Clock	Yes
In Use Light:	No

### HEATING, VENTILATING AND AIR CONDITIONING

Dry Bulb Temp Cooling:	Refer to HVAC Design Manual
Dry Bulb Temp Heating:	Refer to HVAC Design Manual
Minimum % Outside Air:	Refer to HVAC Design Manual
100% Exhaust Air:	N/A
Noise Criteria:	Refer to HVAC Design Manual
Steam:	N/A
Relative Humidity/Cooling:	Refer to HVAC Design Manual
Relative Humidity/Heating:	Refer to HVAC Design Manual
Minimum Air Changes/Hr.:	Refer to HVAC Design Manual
Room Pressure:	Refer to HVAC Design Manual
AC Load Lights:	As Required
AC Load Equipment:	As Required
Number of People:	2
Special Equipment:	N/A

### PLUMBING AND MEDICAL GASES

Cold Water:	Yes
Hot Water:	Yes
Laboratory Air:	No
Laboratory Vacuum:	No
Sanitary/Vent:	Yes
Medical Air:	No
Medical Vacuum:	No
Oxygen:	No
Nitrogen Oxide:	No
Nitrogen	No
Anesthesia Evac:	No
Sprinkler:	Yes
Tempered Water:	No
Water Control:	No

### SPECIAL EQUIPMENT

See Room Content List

THIS PAGE INTENTIONALLY LEFT BLANK

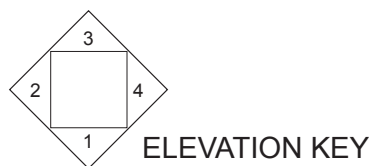
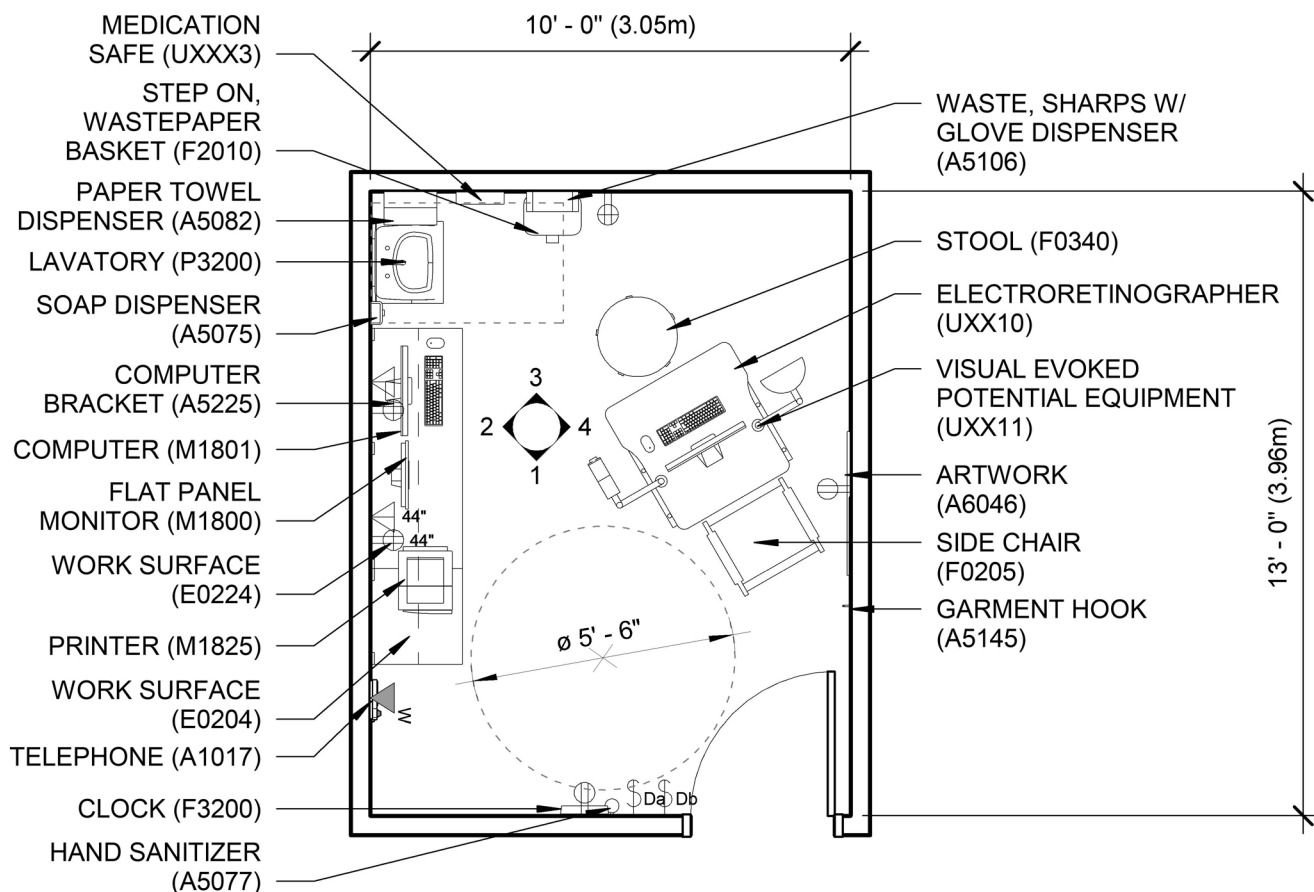


ELECTRODIAGNOSTICS ROOM, OPHTHALMOLOGY (OPED1)  
ELECTRODIAGNOSTICS ROOM, OPTOMETRY (OPED2)

NOTE: Design Plates are graphical representations of selected room types, illustrating the integration of space, components, systems, and equipment. They provide typical configurations and general technical guidance, and are not intended to be project specific. Specific infrastructure design requirements are contained in VA Design Manuals and Space Planning Criteria located in the VA Technical Information Library.

THIS PAGE INTENTIONALLY LEFT BLANK





ELECTRODIAGNOSTICS ROOM, OPHTHALMOLOGY (OPED1)  
 ELECTRODIAGNOSTICS ROOM, OPTOMETRY (OPED2)

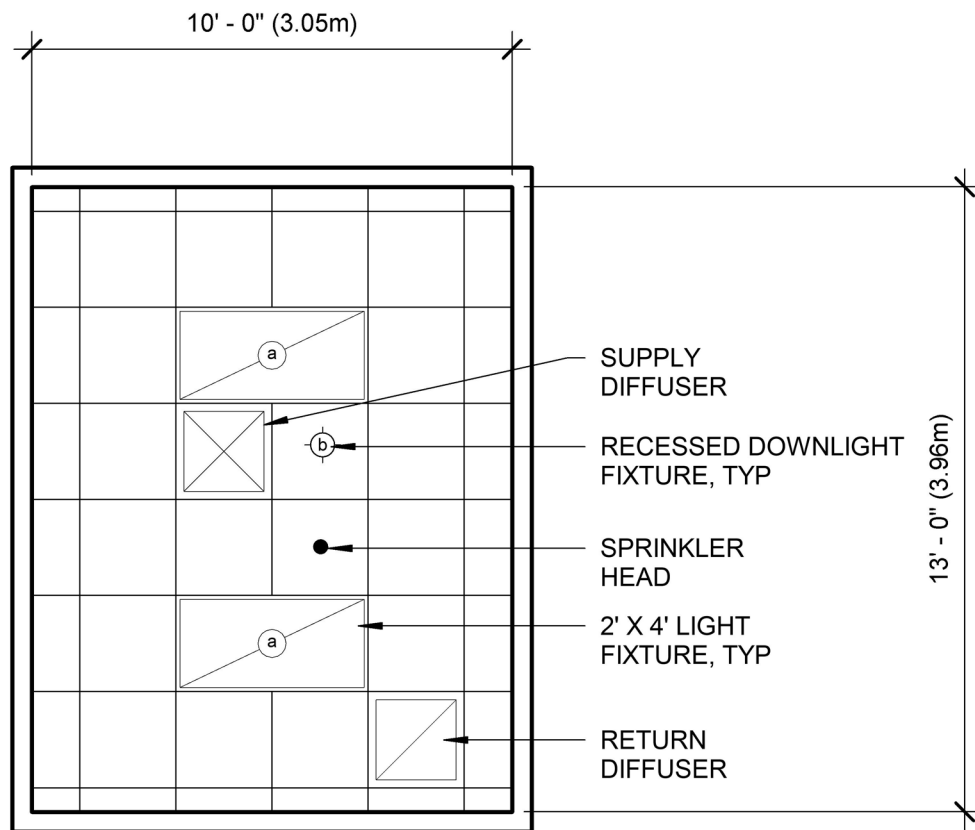
SCALE 1/4" = 1'-0"



Floor/Equipment Plan (130 NSF / 12.1 NSM)

NOTE: Design Plates are graphical representations of selected room types, illustrating the integration of space, components, systems, and equipment. They provide typical configurations and general technical guidance, and are not intended to be project specific. Specific infrastructure design requirements are contained in VA Design Manuals and Space Planning Criteria located in the VA Technical Information Library.

THIS PAGE INTENTIONALLY LEFT BLANK



ELECTRODIAGNOSTICS ROOM, OPHTHALMOLOGY (OPED1)  
 ELECTRODIAGNOSTICS ROOM, OPTOMETRY (OPED2)

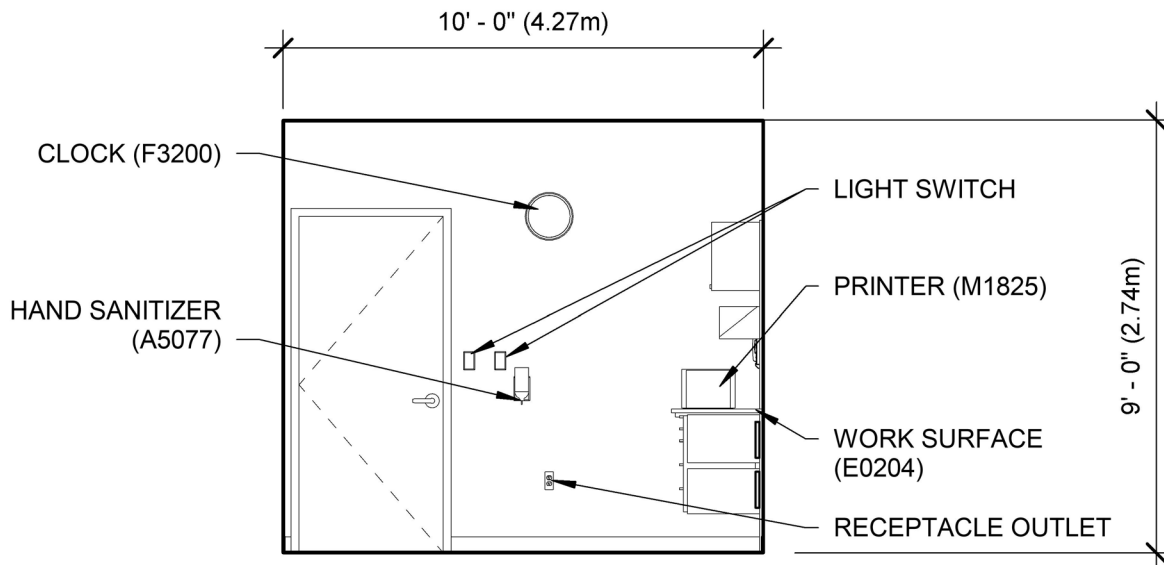
SCALE 1/4" = 1'-0"



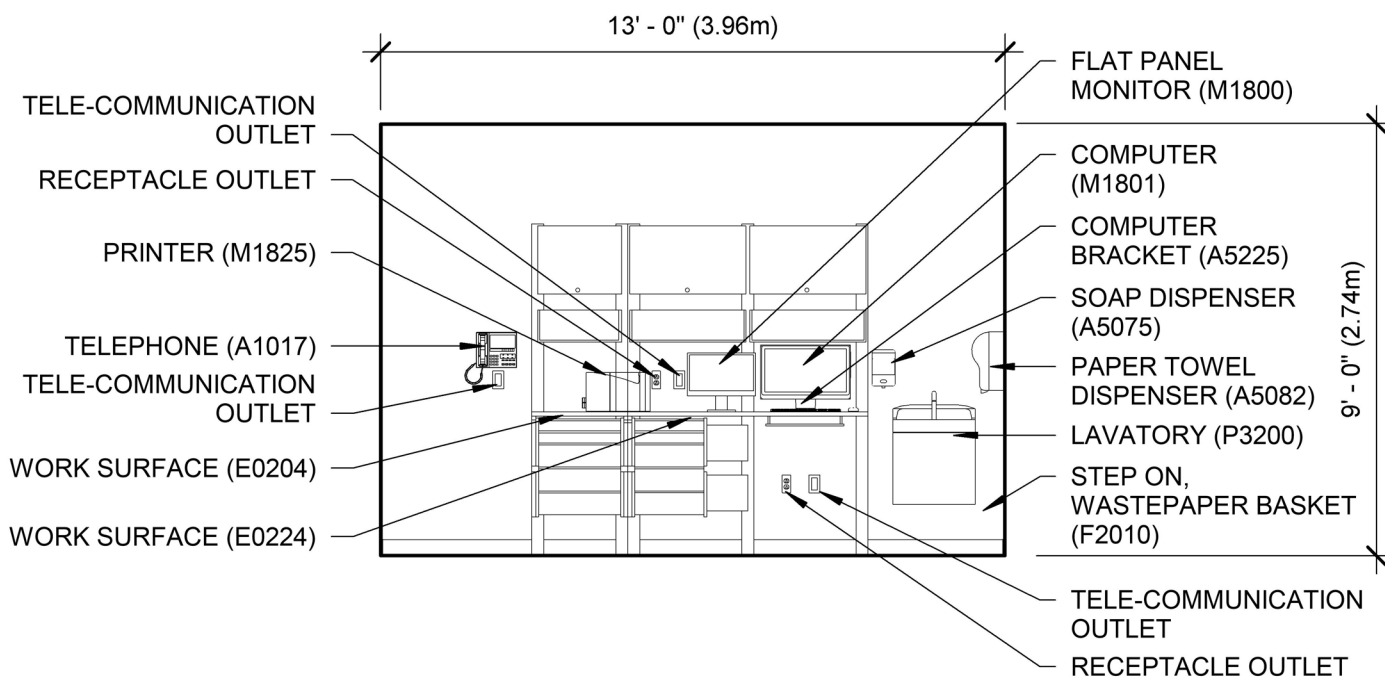
Reflected Ceiling Plan

NOTE: Design Plates are graphical representations of selected room types, illustrating the integration of space, components, systems, and equipment. They provide typical configurations and general technical guidance, and are not intended to be project specific. Specific infrastructure design requirements are contained in VA Design Manuals and Space Planning Criteria located in the VA Technical Information Library.

THIS PAGE INTENTIONALLY LEFT BLANK



**Elevation 1**



**Elevation 2**

ELECTRODIAGNOSTICS ROOM, OPHTHALMOLOGY (OPED1)  
 ELECTRODIAGNOSTICS ROOM, OPTOMETRY (OPED2)

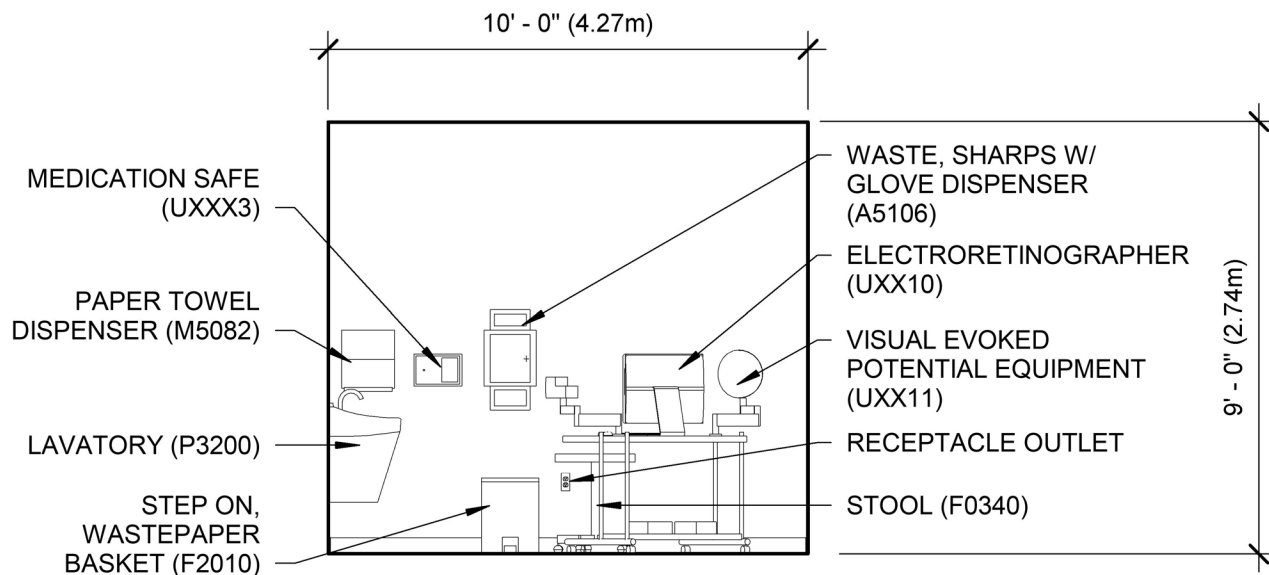
SCALE 1/4" = 1'-0"



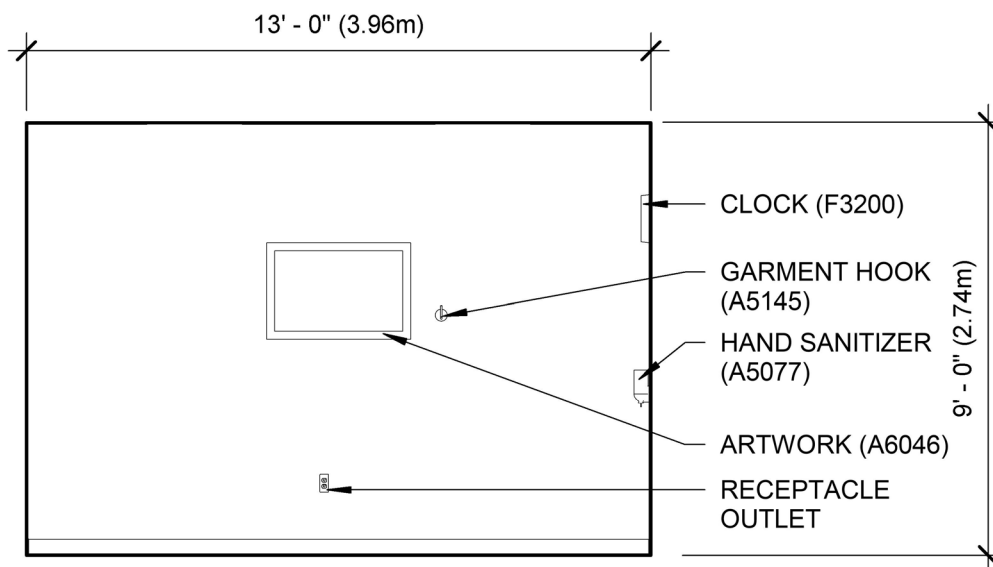
ELEVATIONS

NOTE: Design Plates are graphical representations of selected room types, illustrating the integration of space, components, systems, and equipment. They provide typical configurations and general technical guidance, and are not intended to be project specific. Specific infrastructure design requirements are contained in VA Design Manuals and Space Planning Criteria located in the VA Technical Information Library.

THIS PAGE INTENTIONALLY LEFT BLANK



Elevation 3



Elevation 4

ELECTRODIAGNOSTICS ROOM, OPHTHALMOLOGY (OPED1)  
 ELECTRODIAGNOSTICS ROOM, OPTOMETRY (OPED2)

SCALE 1/4" = 1'-0"



ELEVATIONS

NOTE: Design Plates are graphical representations of selected room types, illustrating the integration of space, components, systems, and equipment. They provide typical configurations and general technical guidance, and are not intended to be project specific. Specific infrastructure design requirements are contained in VA Design Manuals and Space Planning Criteria located in the VA Technical Information Library.

THIS PAGE INTENTIONALLY LEFT BLANK



**ELECTRODIAGNOSTICS ROOM, OPHTHALMOLOGY (OPED1)****Room Content List**

JSN	NAME	QTY	ACQ/INA	DESCRIPTION
A1010	Telecommunication Outlet	3	V V	Telecommunication outlet location.
A1017	Telephone, Wall Mounted, Multi-Line, With Speaker	1	V V	Telephone, wall mounted, multi-line with speaker.
A5075	Dispenser, Soap, Disposable	1	V V	Disposable soap dispenser. One-handed dispensing operation. Designed to accommodate disposable soap cartridge and valve.
A5077	Dispenser, Hand Sanitizer, Hands-Free	1	V V	A touch free wall-mounted hand sanitizer dispenser. For use throughout a healthcare facility. Unit does not include the sanitizing liquid. Units are battery operated.
A5082	Dispenser, Paper Towel, Sensor, Hands Free	1	C C	A surface mounted, sensor activated, automatic, roll paper towel dispenser. The unit dispenses a paper towel automatically only when hands are placed in position below the dispenser for maximum sanitation and hygiene. May include adjustable settings for sheet length, time delay, and sensor range. Unit is battery operated or with optional AC power adapter.
A5106	Waste Disposal Unit, Sharps w/Glove Dispenser	1	V V	The unit is designed for the disposal of sharps and complies with OSHA guidelines for the handling of sharps. It shall house a 5 quart container and be capable of being mounted on a wall. It shall have a glove dispenser attached. The unit shall be secured by a locked enclosure.
A5145	Hook, Garment, Double, SS, Surface Mounted	1	C C	A surface mounted, satin finish stainless steel, double garment hook. Equipped with a concealed mounting bracket that is secured to a concealed wall plate. For general purpose use throughout the facility to hang various items of apparel.
A5225	Bracket, Dual Computer Monitor, Desk-Mounted	1	V V	Desk-mounted bracket that supports two LCD computer monitors, or laptop and monitor configuration. Extends LCD's or laptop up to 25" with an adjustment range of 18". Desk clamp attaches to edge up to 2.6" thick. Maximum combined weight supported not to exceed 50 lbs.
A6046	Artwork, Decorative, With Frame	1	V V	Decorative Artwork. Final selection and location to be done at the project level.

**ELECTRODIAGNOSTICS ROOM, OPHTHALMOLOGY (OPED1)****Room Content List**

JSN	NAME	QTY	ACQ/INA	DESCRIPTION
E0204	Worksurface, w/Overhd Cab & Drwrs, Wall Mtd, 24" W	1	V V	Typically includes: 2 Vertical Hanging Strips 1 Lockable Flipper Unit 1 Shelf, Storage/Display 1 Light 1 Cantilevered Work Surface 2 Storage Frames 2 Drawers, 3"H 3 Drawers, 6"H
E0224	Worksurface, Computer, O/H Cab, Wall Mtd, 60" W	1	V V	Typically includes: 3 Vertical Hanging Strips 2 Lockable Flipper Units 2 Shelves, Storage/Display 2 Lights 1 Tack board 2 Tool Rails 2 Paper Trays 1 Diagonal Tray 1 Cantilevered Work Surface 1 Adjustable Keyboard Tray 1 Stationary Pedestal, Box/Box/File
F0205	Chair, Side With Arms	1	V V	Upholstered side chair, 32" high X 21" wide X 23" deep with arms, padded seats and padded backs. Seat height is a minimum of 17". Available with or without sled base.
F0340	Stool, Self Adjusting	1	V V	Self adjusting stool. Consists of a foam padded upholstered seat with attached foot rest for added comfort. Mounted on swivel casters. Designed for doctor's use during examinations.
F2010	Basket, Wastepaper, Step-On	1	V V	"Step-on" wastepaper basket with inner liner and foot pedal activated flip top.
F3200	Clock, Battery, 12" Diameter	1	V V	Clock, 12" diameter. Round surface, easy to read numbers with sweep second hand. Wall mounted unit for use when impractical to install a fully synchronized clock system. Battery operated, (batteries not included).
M1800	Flat Panel Monitor	1	V V	A flat panel display is a television, monitor or other display appliance that uses a thin panel design instead of a traditional cathode ray tube (CRT) design. These screens are much lighter and thinner, and can be much more portable than traditional televisions and monitors. They also have higher resolution than older models.

**ELECTRODIAGNOSTICS ROOM, OPHTHALMOLOGY (OPED1)****Room Content List**

JSN	NAME	QTY	ACQ/INA	DESCRIPTION
M1801	Computer, Microprocessing, w/Flat Panel Monitor	1	V V	Desk top microprocessing computer. The unit shall consist of a central processing mini tower, flat panel monitor, keyboard, mouse and speakers. The computer is used throughout the facility to input, manipulate and retrieve information.
M1825	Printer, Computer	1	V V	High resolution computer printer with a variety of type styles and sheet/envelope feeder trays. Database information reflects network ready, medium duty office style laser printers.
P3200	Lavatory, Vitreous China, Slab Type w/ Sens Op Fauc	1	C C	Wall mounted, slab type, vitreous china, lavatory (approximately 7 x 15 x 10 inches) with faucet holes on 4 inch centers; electronic sensor operated, goose neck spout and grid strainer. It shall be suitable for use in clinics, offices and patient care areas.
UXXX3 A5048	Safe, Medication	1	V V	A wall-mounted 1.2 cu.ft. all steel safe with electronic lock, used for the secure storage of medications needed during patient examination / treatment.
UXX10 M5606	Electroretinographer	1	V V	Electroretinographer: Ocular equipment used to measure the electrical responses of various cell types in the retina.
UXX11	Visual Evoked Potential (VEP) equipment	1	V V	Visual Evoked Potential (VEP) equipment measures the electrical activity in the vision system.

THIS PAGE INTENTIONALLY LEFT BLANK

**ELECTRODIAGNOSTICS ROOM, OPTOMETRY (OPED2)****Room Content List**

JSN	NAME	QTY	ACQ/INA	DESCRIPTION
A1010	Telecommunication Outlet	3	V V	Telecommunication outlet location.
A1017	Telephone, Wall Mounted, Multi-Line, With Speaker	1	V V	Telephone, wall mounted, multi-line with speaker.
A5075	Dispenser, Soap, Disposable	1	V V	Disposable soap dispenser. One-handed dispensing operation. Designed to accommodate disposable soap cartridge and valve.
A5077	Dispenser, Hand Sanitizer, Hands-Free	1	V V	A touch free wall-mounted hand sanitizer dispenser. For use throughout a healthcare facility. Unit does not include the sanitizing liquid. Units are battery operated.
A5082	Dispenser, Paper Towel, Sensor, Hands Free	1	C C	A surface mounted, sensor activated, automatic, roll paper towel dispenser. The unit dispenses a paper towel automatically only when hands are placed in position below the dispenser for maximum sanitation and hygiene. May include adjustable settings for sheet length, time delay, and sensor range. Unit is battery operated or with optional AC power adapter.
A5106	Waste Disposal Unit, Sharps w/Glove Dispenser	1	C C	The unit is designed for the disposal of sharps and complies with OSHA guidelines for the handling of sharps. It shall house a 5 quart container and be capable of being mounted on a wall. It shall have a glove dispenser attached. The unit shall be secured by a locked enclosure.
A5145	Hook, Garment, Double, SS, Surface Mounted	1	C C	A surface mounted, satin finish stainless steel, double garment hook. Equipped with a concealed mounting bracket that is secured to a concealed wall plate. For general purpose use throughout the facility to hang various items of apparel.
A5225	Bracket, Dual Computer Monitor, Desk-Mounted	1	V V	Desk-mounted bracket that supports two LCD computer monitors, or laptop and monitor configuration. Extends LCD's or laptop up to 25" with an adjustment range of 18". Desk clamp attaches to edge up to 2.6" thick. Maximum combined weight supported not to exceed 50 lbs.
A6046	Artwork, Decorative, With Frame	1	V V	Decorative Artwork. Final selection and location to be done at the project level.

**ELECTRODIAGNOSTICS ROOM, OPTOMETRY (OPED2)****Room Content List**

JSN	NAME	QTY	ACQ/INA	DESCRIPTION
E0204	Worksurface, w/Overhd Cab & Drwrs, Wall Mtd, 24" W	1	V V	Typically includes: 2 Vertical Hanging Strips 1 Lockable Flipper Unit 1 Shelf, Storage/Display 1 Light 1 Cantilevered Work Surface 2 Storage Frames 2 Drawers, 3"H 3 Drawers, 6"H
E0224	Worksurface, Computer, O/H Cab, Wall Mtd, 60" W	1	V V	Typically includes: 3 Vertical Hanging Strips 2 Lockable Flipper Units 2 Shelves, Storage/Display 2 Lights 1 Tack board 2 Tool Rails 2 Paper Trays 1 Diagonal Tray 1 Cantilevered Work Surface 1 Adjustable Keyboard Tray 1 Stationary Pedestal, Box/Box/File
F0205	Chair, Side With Arms	1	V V	Upholstered side chair, 32" high X 21" wide X 23" deep with arms, padded seats and padded backs. Seat height is a minimum of 17". Available with or without sled base.
F0340	Stool, Self Adjusting	1	V V	Self adjusting stool. Consists of a foam padded upholstered seat with attached foot rest for added comfort. Mounted on swivel casters. Designed for doctor's use during examinations.
F2010	Basket, Wastepaper, Step-On	1	V V	"Step-on" wastepaper basket with inner liner and foot pedal activated flip top.
F3200	Clock, Battery, 12" Diameter	1	V V	Clock, 12" diameter. Round surface, easy to read numbers with sweep second hand. Wall mounted unit for use when impractical to install a fully synchronized clock system. Battery operated, (batteries not included).
M1800	Flat Panel Monitor	1	V V	A flat panel display is a television, monitor or other display appliance that uses a thin panel design instead of a traditional cathode ray tube (CRT) design. These screens are much lighter and thinner, and can be much more portable than traditional televisions and monitors. They also have higher resolution than older models.
M1801	Computer, Microprocessing, w/Flat Panel Monitor	1	V V	Desk top microprocessing computer. The unit shall consist of a central processing mini tower, flat panel monitor, keyboard, mouse and speakers. The computer is used throughout the facility to input, manipulate and retrieve information.

**ELECTRODIAGNOSTICS ROOM, OPTOMETRY (OPED2)****Room Content List**

JSN	NAME	QTY	ACQ/INA	DESCRIPTION
M1825	Printer, Computer	1	V V	High resolution computer printer with a variety of type styles and sheet/envelope feeder trays. Database information reflects network ready, medium duty office style laser printers.
P3200	Lavatory, Vitreous China, Slab Type w/ Sens Op Fauc	1	C C	Wall mounted, slab type, vitreous china, lavatory (approximately 7 x 15 x 10 inches) with faucet holes on 4 inch centers; electronic sensor operated, goose neck spout and grid strainer. It shall be suitable for use in clinics, offices and patient care areas.
UXXX3 A5048	Safe, Medication	1	V V	A wall-mounted 1.2 cu.ft. all steel safe with electronic lock, used for the secure storage of medications needed during patient examination / treatment.
UXX10 M5606	Electroretinographer	1	V V	Electroretinographer: Ocular equipment used to measure the electrical responses of various cell types in the retina.
UXX11	Visual Evoked Potential (VEP) equipment	1	V V	Visual Evoked Potential (VEP) equipment measures the electrical activity in the vision system.

THIS PAGE INTENTIONALLY LEFT BLANK



**ELECTRODIAGNOSTICS ROOM, OPHTHALMOLOGY (OPED1)**  
**ELECTRODIAGNOSTICS ROOM, OPTOMETRY (OPED2)**  
**Room Data Sheet**

**ARCHITECTURAL**

Ceiling:	AT
Ceiling Height:	9'-0"
Wall Finish:	Paint
Base:	RB
Floor Finish:	LVT
Door:	
Hardware	1L

**Glazing:**

**LIGHTING**

Maintained Average Illumination-Ambient:	500 Lux (50 FC)
Maintained Average Illumination-Examination of Outer Eye:	1000 Lux (100 FC)
Maintained Average Illumination-Reading & Color Vision Test:	500 Lux (50 FC)

- General:**
1. Dimmable 2' x 4' Fluorescent or LED Light Fixture. See Lighting Manual for illumination, color temperature, and color rendering levels .
  2. Dimmable Fluorescent or LED can light. Provide switching and dimming to provide various light levels.

**POWER**

**Normal Power:** To be connected to selected receptacles and equipment as shown.

**Emergency Power:** As determined by the Facility.

- Notes:**
1. Emergency Power shown is minimum. Exact number of emergency power receptacles and equipment connections to be determined on a project specific basis.
  2. Coordinate electrical requirements with specific equipment.

**COMMUNICATIONS/SPECIAL SYSTEMS**

Data:	Yes
Telephone:	Yes
Cable Television:	No
Duress Alarm	No
Electronic Access and Door Control:	No
Intercom:	No
Motion Intrusion Detection (MID):	No
Nurse Call:	No
Code Blue:	No
Public Address:	No
Security Surveillance Television (SSTV):	No
VA Satellite TV:	No
Video Conferencing (VTEL):	No
Battery Operated Clock	Yes
In Use Light:	No

**HEATING, VENTILATING AND AIR CONDITIONING**

Dry Bulb Temp Cooling:	Refer to HVAC Design Manual
Dry Bulb Temp Heating:	Refer to HVAC Design Manual
Minimum % Outside Air:	Refer to HVAC Design Manual
100% Exhaust Air:	N/A
Noise Criteria:	Refer to HVAC Design Manual
Steam:	N/A
Relative Humidity/Cooling:	Refer to HVAC Design Manual
Relative Humidity/Heating:	Refer to HVAC Design Manual
Minimum Air Changes/Hr.:	Refer to HVAC Design Manual
Room Pressure:	Refer to HVAC Design Manual
AC Load Lights:	As Required
AC Load Equipment:	As Required
Number of People:	2
Special Equipment:	N/A

**PLUMBING AND MEDICAL GASES**

Cold Water:	Yes
Hot Water:	Yes
Laboratory Air:	No
Laboratory Vacuum:	No
Sanitary/Vent:	Yes
Medical Air:	No
Medical Vacuum:	No
Oxygen:	No
Nitrogen Oxide:	No
Nitrogen	No
Anesthesia Evac:	No
Sprinkler:	Yes
Tempered Water:	No
Water Control:	No

**SPECIAL EQUIPMENT**

See Room Content List

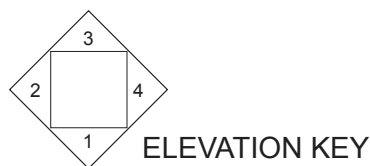
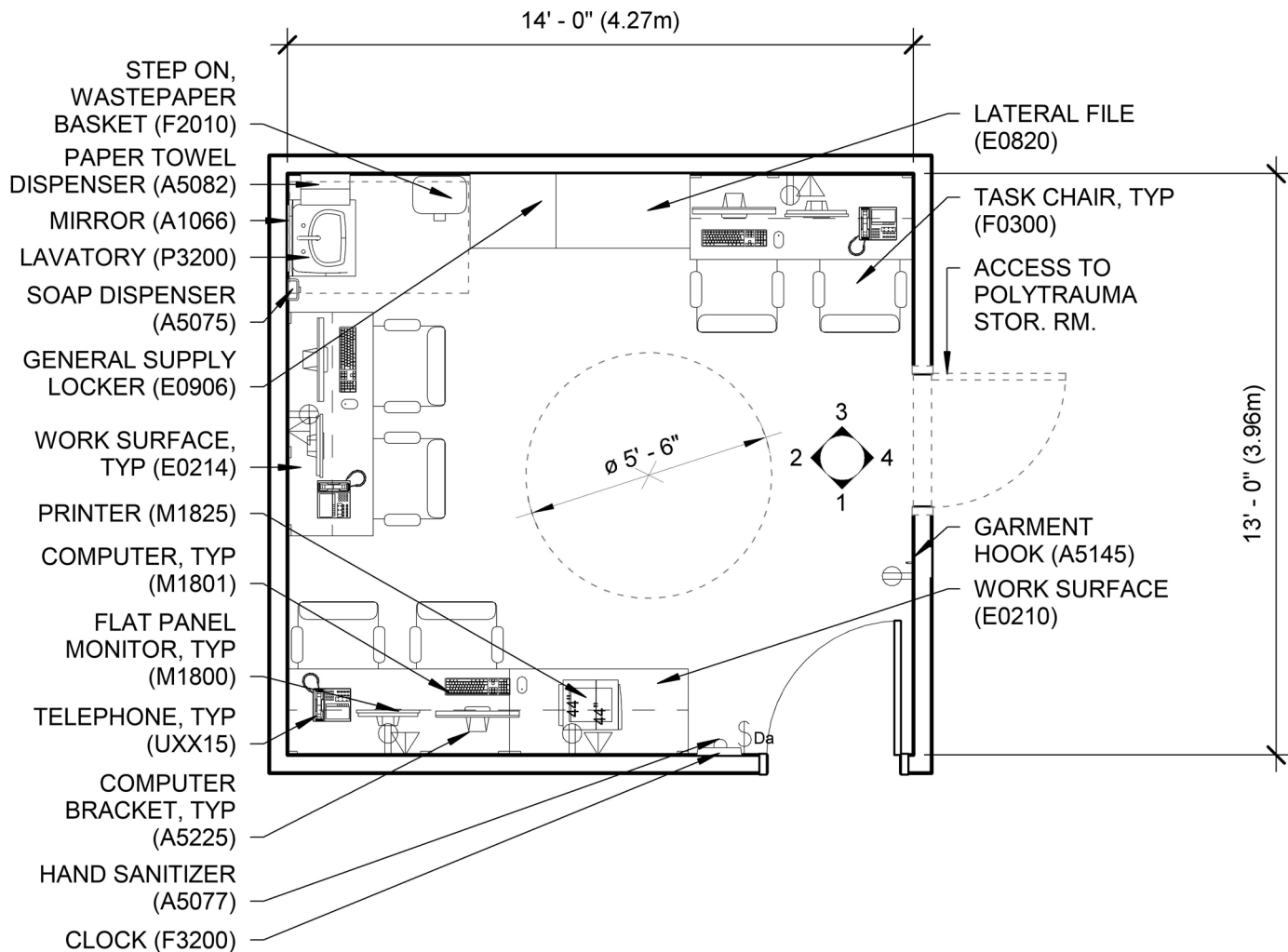
THIS PAGE INTENTIONALLY LEFT BLANK



LOW VISION / POLYTRAUMA TRAINING ROOM, OPHTHALMOLOGY (OPLV1)  
LOW VISION / POLYTRAUMA TRAINING ROOM, OPTOMETRY (OPLV2)

NOTE: Design Plates are graphical representations of selected room types, illustrating the integration of space, components, systems, and equipment. They provide typical configurations and general technical guidance, and are not intended to be project specific. Specific infrastructure design requirements are contained in VA Design Manuals and Space Planning Criteria located in the VA Technical Information Library.

THIS PAGE INTENTIONALLY LEFT BLANK



LOW VISION / POLYTRAUMA TRAINING ROOM, OPHTHALMOLOGY (OPLV1)  
 LOW VISION / POLYTRAUMA TRAINING ROOM, OPTOMETRY (OPLV2)

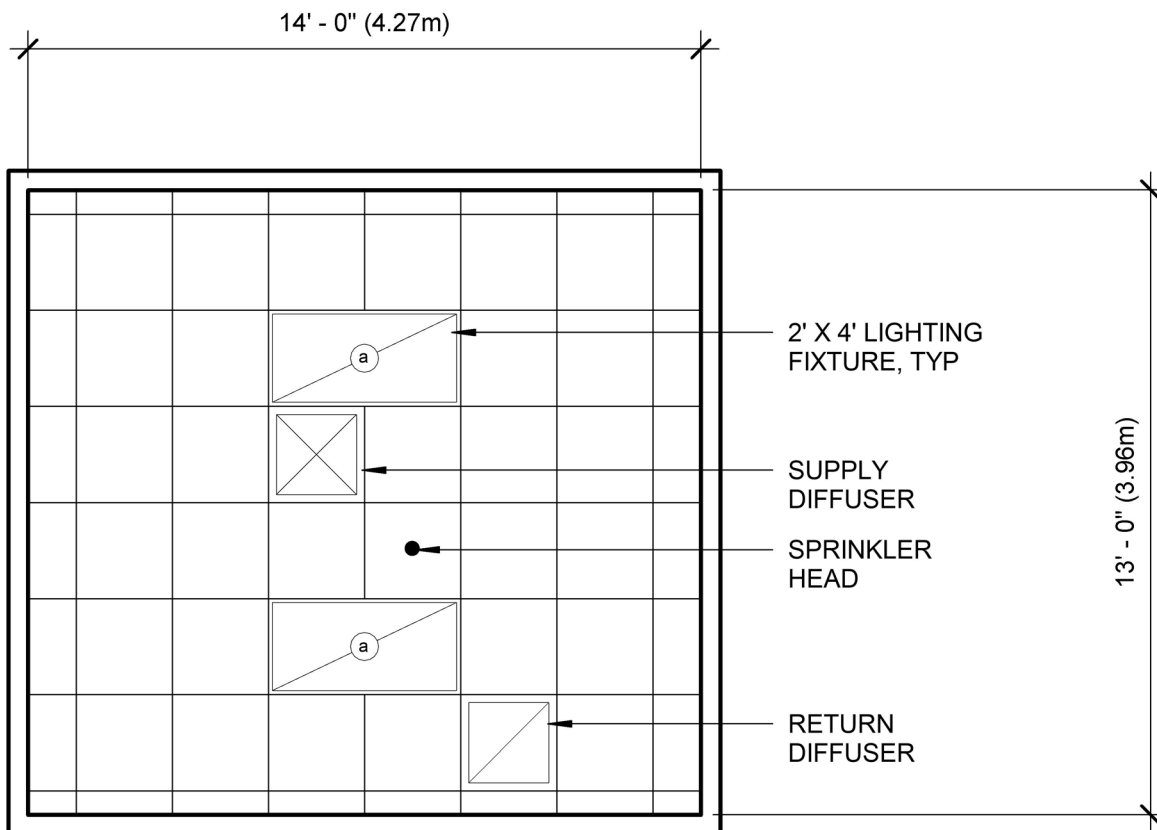
SCALE 1/4" = 1'-0"



Floor/Equipment Plan (130 NSF / 12.1 NSM)

NOTE: Design Plates are graphical representations of selected room types, illustrating the integration of space, components, systems, and equipment. They provide typical configurations and general technical guidance, and are not intended to be project specific. Specific infrastructure design requirements are contained in VA Design Manuals and Space Planning Criteria located in the VA Technical Information Library.

THIS PAGE INTENTIONALLY LEFT BLANK



LOW VISION / POLYTRAUMA TRAINING ROOM, OPHTHALMOLOGY (OPLV1)  
 LOW VISION / POLYTRAUMA TRAINING ROOM, OPTOMETRY (OPLV2)

SCALE 1/4" = 1'-0"

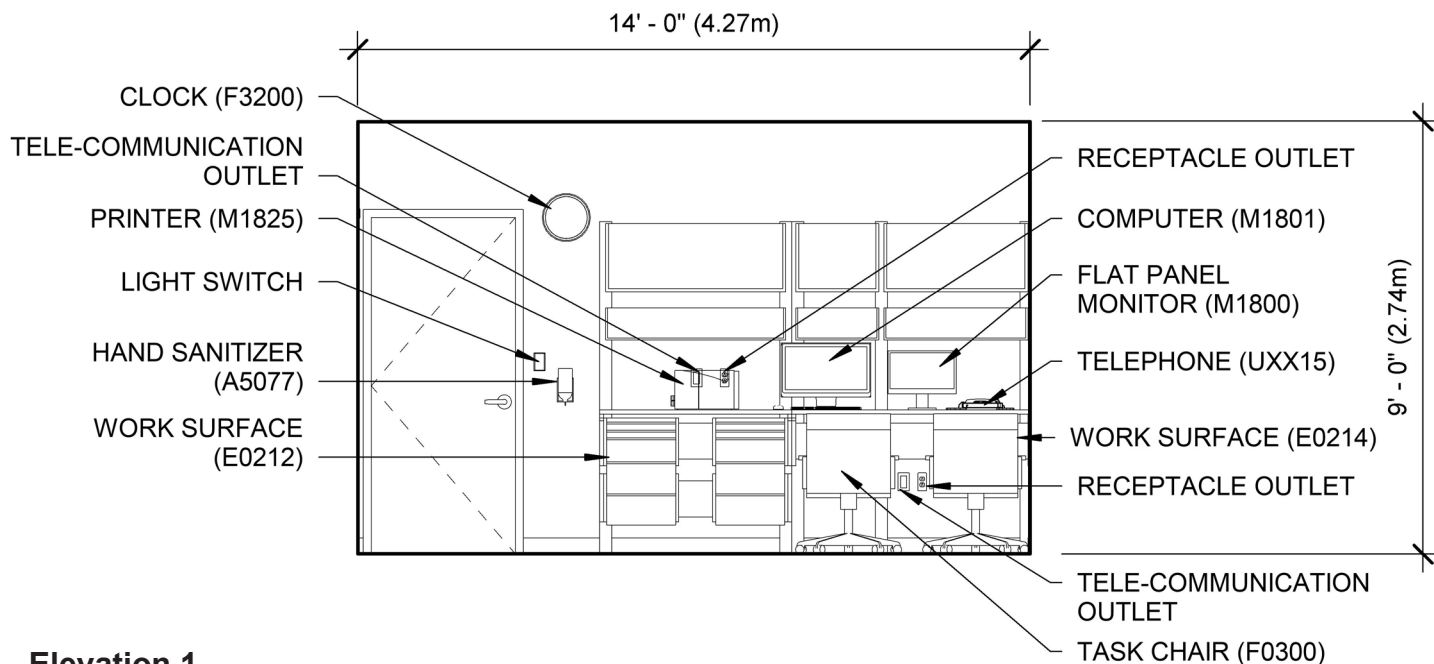


Reflected Ceiling Plan

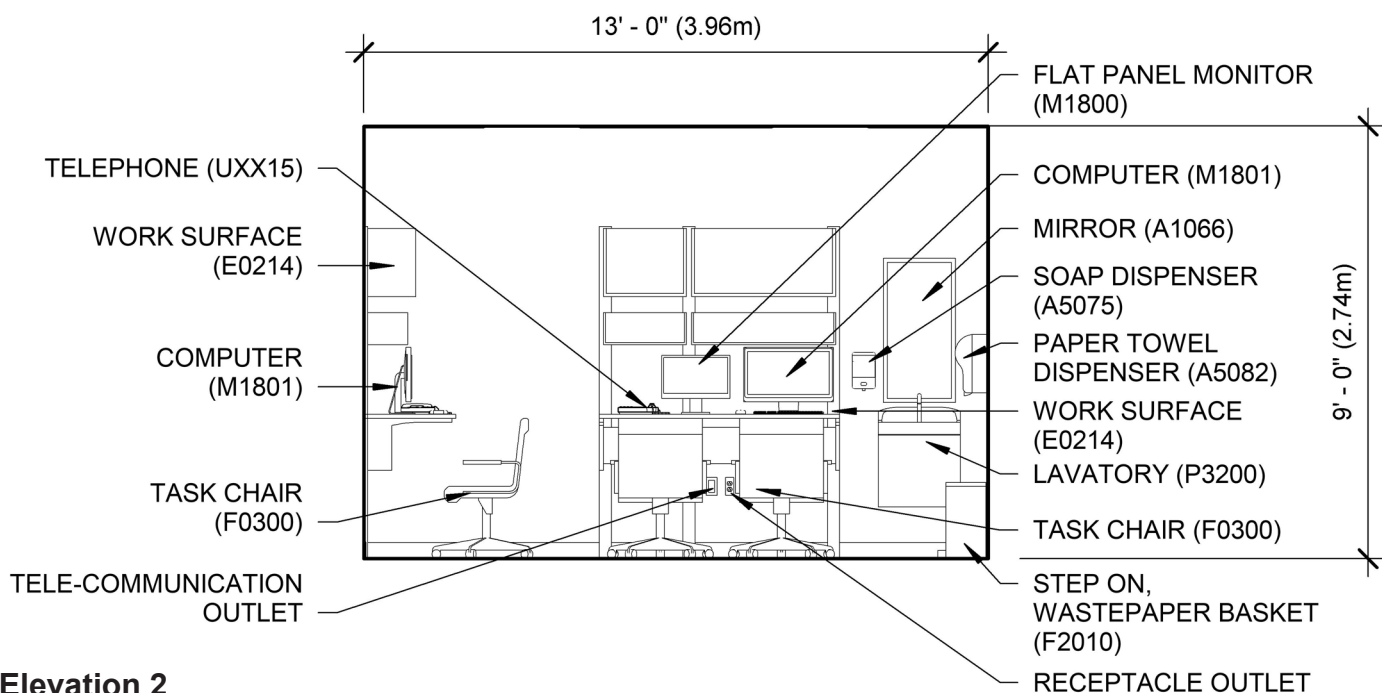
NOTE: Design Plates are graphical representations of selected room types, illustrating the integration of space, components, systems, and equipment. They provide typical configurations and general technical guidance, and are not intended to be project specific. Specific infrastructure design requirements are contained in VA Design Manuals and Space Planning Criteria located in the VA Technical Information Library.

THIS PAGE INTENTIONALLY LEFT BLANK





Elevation 1



Elevation 2

LOW VISION / POLYTRAUMA TRAINING ROOM, OPHTHALMOLOGY (OPLV1)  
 LOW VISION / POLYTRAUMA TRAINING ROOM, OPTOMETRY (OPLV2)

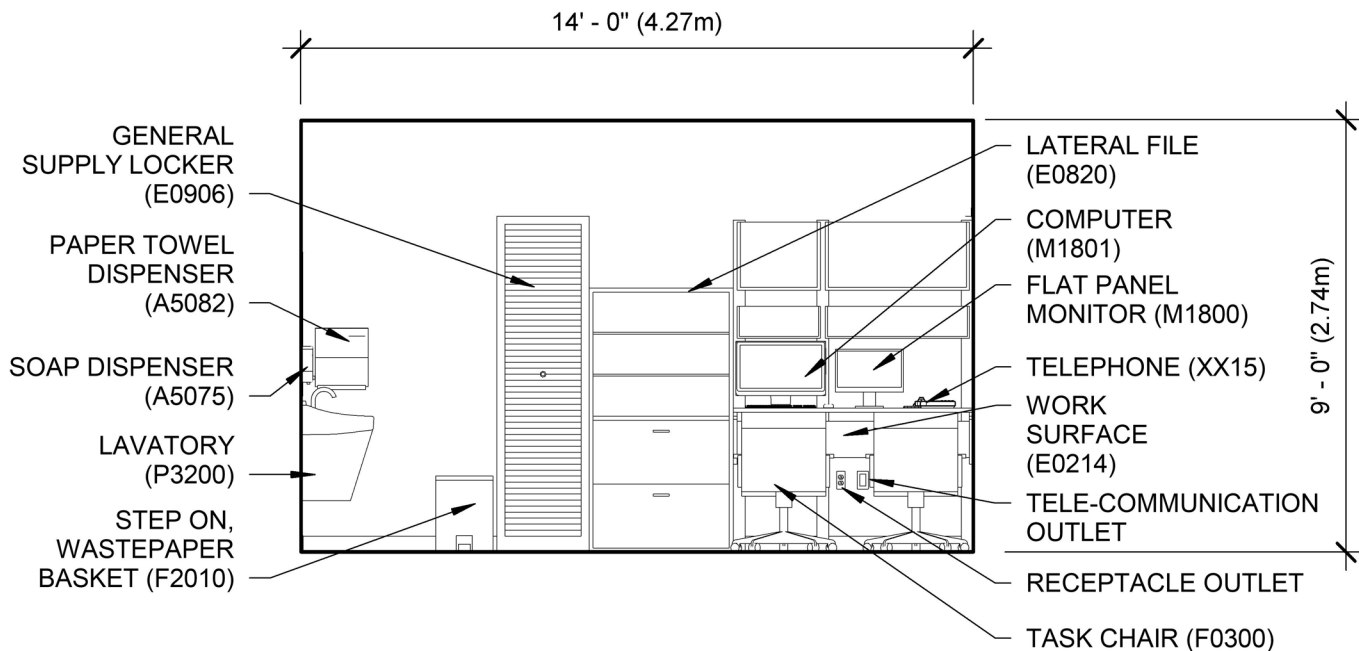
SCALE 1/4" = 1'-0"



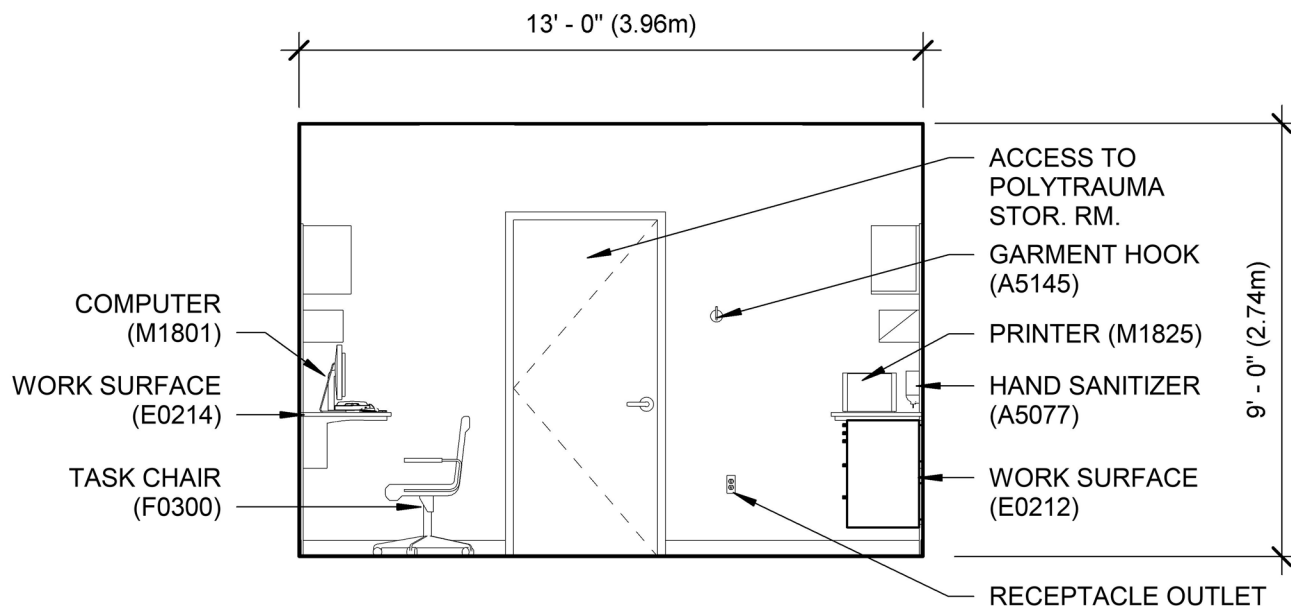
ELEVATIONS

NOTE: Design Plates are graphical representations of selected room types, illustrating the integration of space, components, systems, and equipment. They provide typical configurations and general technical guidance, and are not intended to be project specific. Specific infrastructure design requirements are contained in VA Design Manuals and Space Planning Criteria located in the VA Technical Information Library.

THIS PAGE INTENTIONALLY LEFT BLANK



Elevation 3



Elevation 4

LOW VISION / POLYTRAUMA TRAINING ROOM, OPHTHALMOLOGY (OPLV1)  
 LOW VISION / POLYTRAUMA TRAINING ROOM, OPTOMETRY (OPLV2)

SCALE 1/4" = 1'-0"



ELEVATIONS

NOTE: Design Plates are graphical representations of selected room types, illustrating the integration of space, components, systems, and equipment. They provide typical configurations and general technical guidance, and are not intended to be project specific. Specific infrastructure design requirements are contained in VA Design Manuals and Space Planning Criteria located in the VA Technical Information Library.

THIS PAGE INTENTIONALLY LEFT BLANK

**LOW VISION / POLYTRAUMA TRAINING ROOM, OPHTHALMOLOGY (OPLV1)****Room Content List**

JSN	NAME	QTY	ACQ/INA	DESCRIPTION
A1010	Telecommunication Outlet	7	V V	Telecommunication outlet location.
A1066	Mirror, Float Glass, With SS Frame	1	C C	A high quality 1/4" polished float glass mirror 36X18, framed in a one-piece, bright polished, stainless steel channel frame with 90° mitered corners. All edges of the mirror are protected by absorbing filler strips. Mirror has a galvanized steel back with integral horizontal hanging brackets and wall hanger for concealed mounting. For mounting above single wall mounted lavatories located in toilet areas, Doctors examination offices, etc. May also be used above double lavatories, either wall or countertop mounted, found in restroom areas.
A5075	Dispenser, Soap, Disposable	1	V V	Disposable soap dispenser. One-handed dispensing operation. Designed to accommodate disposable soap cartridge and valve.
A5077	Dispenser, Hand Sanitizer, Hands-Free	1	V V	A touch free wall-mounted hand sanitizer dispenser. For use throughout a healthcare facility. Unit does not include the sanitizing liquid. Units are battery operated.
A5082	Dispenser, Paper Towel, Sensor, Hands Free	1	C C	A surface mounted, sensor activated, automatic, roll paper towel dispenser. The unit dispenses a paper towel automatically only when hands are placed in position below the dispenser for maximum sanitation and hygiene. May include adjustable settings for sheet length, time delay, and sensor range. Unit is battery operated or with optional AC power adapter.
A5145	Hook, Garment, Double, SS, Surface Mounted	3	C C	A surface mounted, satin finish stainless steel, double garment hook. Equipped with a concealed mounting bracket that is secured to a concealed wall plate. For general purpose use throughout the facility to hang various items of apparel.
A5225	Bracket, Dual Computer Monitor, Desk-Mounted	3	V V	Desk-mounted bracket that supports two LCD computer monitors, or laptop and monitor configuration. Extends LCD's or laptop up to 25" with an adjustment range of 18". Desk clamp attaches to edge up to 2.6" thick. Maximum combined weight supported not to exceed 50 lbs.

**LOW VISION / POLYTRAUMA TRAINING ROOM, OPHTHALMOLOGY (OPLV1)****Room Content List**

JSN	NAME	QTY	ACQ/INA	DESCRIPTION
E0212	Worksurface, w/Overhd Cab & Drwrs, Wall Mtd, 48" W	1	V V	Typically includes: 2 Vertical Hanging Strips 1 Lockable Flipper Unit 1 Shelf, Storage/Display 1 Light 1 Cantilevered Work Surface 4 Storage Frames 4 Drawers, 3"H 6 Drawers, 6"H
E0214	Worksurface, w/Overhead Cab, Wall Mtd, 60" W	3	V V	Typically includes: 3 Vertical Hanging Strips 2 Lockable Flipper Units 2 Shelves, Storage/Display 2 Lights 1 Cantilevered Work Surface
E0820	Module, Storage, 2-Drw Lateral File & Bookcase	1	V V	A combination cabinet with a two drawer lateral file base and a open three shelf bookcase on top; 66"H, 26"W, 20"D
E0906	Locker, Supply, General, Wall Mtd, 23"W x 20"D	1	V V	Typically includes: 1 Wall Mounted Rail 1 Locked Storage Container 2 Tray/Shelves 1 Drawer, 3"H 3 Drawers, 6"H 2 Drawers, 9"H 1 Tray/Shelf Divider Drawer Organizer Bins Consider the need for an E0921 to transport the locker from place to place.
F0300	Chair, Task, Swivel, With Arms	6	V V	Task chair, approximately 34" H X 26" W X 22" D with adjustable arms and a five caster adjustable swivel base. Seat and back are foam padded and upholstered in woven fabric or vinyl.
F2010	Basket, Wastepaper, Step-On	1	V V	"Step-on" wastepaper basket with inner liner and foot pedal activated flip top.
F3200	Clock, Battery, 12" Diameter	1	V V	Clock, 12" diameter. Round surface, easy to read numbers with sweep second hand. Wall mounted unit for use when impractical to install a fully synchronized clock system. Battery operated, (batteries not included).
M1800	Flat Panel Monitor	1	V V	A flat panel display is a television, monitor or other display appliance that uses a thin panel design instead of a traditional cathode ray tube (CRT) design. These screens are much lighter and thinner, and can be much more portable than traditional televisions and monitors. They also have higher resolution than older models.

**LOW VISION / POLYTRAUMA TRAINING ROOM, OPHTHALMOLOGY (OPLV1)****Room Content List**

JSN	NAME	QTY	ACQ/INA	DESCRIPTION
M1801	Computer, Microprocessing, w/Flat Panel Monitor	3	V V	Desk top microprocessing computer. The unit shall consist of a central processing mini tower, flat panel monitor, keyboard, mouse and speakers. The computer is used throughout the facility to input, manipulate and retrieve information.
M1825	Printer, Computer	1	V V	High resolution computer printer with a variety of type styles and sheet/envelope feeder trays. Database information reflects network ready, medium duty office style laser printers.
P3200	Lavatory, Vitreous China, Slab Type w/ Sens Op Fauc	1	C C	Wall mounted, slab type, vitreous china, lavatory (approximately 7 x 15 x 10 inches) with faucet holes on 4 inch centers; electronic sensor operated, goose neck spout and grid strainer. It shall be suitable for use in clinics, offices and patient care areas.
UXX15 A1025	Telephone, Low Vision	1	V V	Oversized keypad buttons, picture memory, amplified corded desk phone.

THIS PAGE INTENTIONALLY LEFT BLANK



**LOW VISION / POLYTRAUMA TRAINING ROOM, OPTOMETRY (OPLV2)****Room Content List**

JSN	NAME	QTY	ACQ/INA	DESCRIPTION
A1010	Telecommunication Outlet	2	V V	Telecommunication outlet location.
A1066	Mirror, Float Glass, With SS Frame	1	C C	A high quality 1/4" polished float glass mirror 36X18, framed in a one-piece, bright polished, stainless steel channel frame with 90° mitered corners. All edges of the mirror are protected by absorbing filler strips. Mirror has a galvanized steel back with integral horizontal hanging brackets and wall hanger for concealed mounting. For mounting above single wall mounted lavatories located in toilet areas, Doctors examination offices, etc. May also be used above double lavatories, either wall or countertop mounted, found in restroom areas.
A5075	Dispenser, Soap, Disposable	1	V V	Disposable soap dispenser. One-handed dispensing operation. Designed to accommodate disposable soap cartridge and valve.
A5077	Dispenser, Hand Sanitizer, Hands-Free	1	V V	A touch free wall-mounted hand sanitizer dispenser. For use throughout a healthcare facility. Unit does not include the sanitizing liquid. Units are battery operated.
A5082	Dispenser, Paper Towel, Sensor, Hands Free	1	C C	A surface mounted, sensor activated, automatic, roll paper towel dispenser. The unit dispenses a paper towel automatically only when hands are placed in position below the dispenser for maximum sanitation and hygiene. May include adjustable settings for sheet length, time delay, and sensor range. Unit is battery operated or with optional AC power adapter.
A5145	Hook, Garment, Double, SS, Surface Mounted	1	C C	A surface mounted, satin finish stainless steel, double garment hook. Equipped with a concealed mounting bracket that is secured to a concealed wall plate. For general purpose use throughout the facility to hang various items of apparel.
A5225	Bracket, Dual Computer Monitor, Desk-Mounted	1	V V	Desk-mounted bracket that supports two LCD computer monitors, or laptop and monitor configuration. Extends LCD's or laptop up to 25" with an adjustment range of 18". Desk clamp attaches to edge up to 2.6" thick. Maximum combined weight supported not to exceed 50 lbs.
E0210	Worksurface, w/Overhead Cab, Wall Mtd, 48" W	1	V V	Typically includes: 2 Vertical Hanging Strips 1 Lockable Flipper Unit 1 Shelf, Storage/Display 1 Light 1 Tack board 1 Cantilevered Work Surface

**LOW VISION / POLYTRAUMA TRAINING ROOM, OPTOMETRY (OPLV2)****Room Content List**

JSN	NAME	QTY	ACQ/INA	DESCRIPTION
E0216	Worksurface, w/Overhd Cab & Drwrs, Wall Mtd, 60" W	3	V V	Typically includes: 3 Vertical Hanging Strips 2 Lockable Flipper Units 2 Shelves, Storage/Display 2 Lights 1 Cantilevered Work Surface 4 Storage Frames 4 Drawers, 3"H 6 Drawers, 6"H
F0300	Chair, Task, Swivel, With Arms	3	V V	Task chair, approximately 34" H X 26" W X 22" D with adjustable arms and a five caster adjustable swivel base. Seat and back are foam padded and upholstered in woven fabric or vinyl.
F2010	Basket, Wastepaper, Step-On	1	V V	"Step-on" wastepaper basket with inner liner and foot pedal activated flip top.
F3200	Clock, Battery, 12" Diameter	1	V V	Clock, 12" diameter. Round surface, easy to read numbers with sweep second hand. Wall mounted unit for use when impractical to install a fully synchronized clock system. Battery operated, (batteries not included).
M1800	Flat Panel Monitor	1	V V	A flat panel display is a television, monitor or other display appliance that uses a thin panel design instead of a traditional cathode ray tube (CRT) design. These screens are much lighter and thinner, and can be much more portable than traditional televisions and monitors. They also have higher resolution than older models.
M1801	Computer, Microprocessing, w/Flat Panel Monitor	3	V V	Desk top microprocessing computer. The unit shall consist of a central processing mini tower, flat panel monitor, keyboard, mouse and speakers. The computer is used throughout the facility to input, manipulate and retrieve information.
M1825	Printer, Computer	1	V V	High resolution computer printer with a variety of type styles and sheet/envelope feeder trays. Database information reflects network ready, medium duty office style laser printers.
P3200	Lavatory, Vitreous China, Slab Type w/ Sens Op Fauc	1	C C	Wall mounted, slab type, vitreous china, lavatory (approximately 7 x 15 x 10 inches) with faucet holes on 4 inch centers; electronic sensor operated, goose neck spout and grid strainer. It shall be suitable for use in clinics, offices and patient care areas.
UXX15 A1025	Telephone, Low Vision	1	V V	Oversized keypad buttons, picture memory, amplified corded desk phone.

**LOW VISION / POLYTRAUMA TRAINING ROOM, OPHTHALMOLOGY (OPLV1)**  
**LOW VISION / POLYTRAUMA TRAINING ROOM, OPTOMETRY (OPLV2)**  
**Room Data Sheet**

ARCHITECTURAL	
Ceiling:	AT
Ceiling Height:	9'-0"
Wall Finish:	Paint
Base:	RB
Floor Finish:	LVT
Door:	
Hardware	1L
Glazing:	

LIGHTING	
Maintained Average Illumination-Ambient:	500 Lux (50 FC)
Maintained Average Illumination-Examination of Outer Eye:	1000 Lux (100 FC)
Maintained Average Illumination-Reading & Color Vision Test:	500 Lux (50 FC)
General:	
1. Dimmable 2' x 4' Fluorescent or LED Light Fixture. See Lighting Manual for illumination, color temperature, and color rendering levels . 2. Dimmable Fluorescent or LED can light. Provide switching and dimming to provide various light levels.	

POWER	
Normal Power:	To be connected to selected receptacles and equipment as shown.
Emergency Power:	As determined by the Facility.
Notes:	
1. Emergency Power shown is minimum. Exact number of emergency power receptacles and equipment connections to be determined on a project specific basis. 2. Coordinate electrical requirements with specific equipment.	

COMMUNICATIONS/SPECIAL SYSTEMS	
Data:	Yes
Telephone:	Yes
Cable Television:	No
Duress Alarm	No
Electronic Access and Door Control:	No
Intercom:	No
Motion Intrusion Detection (MID):	No
Nurse Call:	No
Code Blue:	No
Public Address:	No
Security Surveillance Television (SSTV):	No
VA Satellite TV:	No
Video Teleconferencing (VTEL):	No
Battery Operated Clock	Yes
In Use Light:	No

HEATING, VENTILATING AND AIR CONDITIONING	
Dry Bulb Temp Cooling:	Refer to HVAC Design Manual
Dry Bulb Temp Heating:	Refer to HVAC Design Manual
Minimum % Outside Air:	Refer to HVAC Design Manual
100% Exhaust Air:	N/A
Noise Criteria:	Refer to HVAC Design Manual
Steam:	N/A
Relative Humidity/Cooling:	Refer to HVAC Design Manual
Relative Humidity/Heating:	Refer to HVAC Design Manual
Minimum Air Changes/Hr.:	Refer to HVAC Design Manual
Room Pressure:	Refer to HVAC Design Manual
AC Load Lights:	As Required
AC Load Equipment:	As Required
Number of People:	6
Special Equipment:	N/A

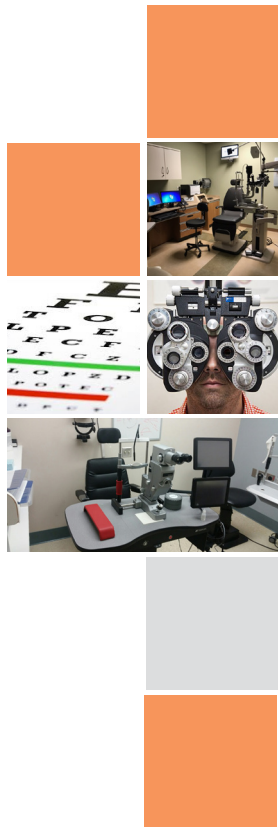
PLUMBING AND MEDICAL GASES	
Cold Water:	Yes
Hot Water:	Yes
Laboratory Air:	No
Laboratory Vacuum:	No
Sanitary/Vent:	Yes
Medical Air:	No
Medical Vacuum:	No
Oxygen:	No
Nitrogen Oxide:	No
Nitrogen	No
Anesthesia Evac:	No
Sprinkler:	Yes
Tempered Water:	No
Water Control:	No

SPECIAL EQUIPMENT	
See Room Content List	

THIS PAGE INTENTIONALLY LEFT BLANK

**SECTION 5 - APPENDIX**

TECHNICAL REFERENCES



THIS PAGE INTENTIONALLY LEFT BLANK

## SECTION 5 - APPENDIX

### TECHNICAL REFERENCES

The references listed below are comprised of both a summary of current relevant VA standards and criteria followed by a summary of current industry standards, all of which have guided the information in this Ophthalmology and Optometry Services Design Guide. The Design Guide refers to the sources throughout the text when information is more detailed or extensive than would be appropriate to be included in this guide. VA sources can be accessed on VA website.

#### VA Standards and Criteria

VA Space Planning Criteria PG-18-9 - Chapter 233

Accessibility and Barrier-Free Design Guide PG-18-13

Design and Construction Procedures PG-18-3

Equipment Information PG-18-5

Master Construction Specifications PG-18-1

Standard Details PG-18-4

Room Finishes, Door and Hardware Schedule PG-18-14

Seismic (Structural) Design Requirements H-18-8

VA Signage Design Guide

VA Sustainable Design Manual (May 2014)

VA Technical Criteria (PG-18-10 Design Manuals) pertaining to Architectural, Interior Design, HVAC, Plumbing, and Electrical Ambulatory Care/Outpatient Clinic/Interior Design Manual for New Construction and Renovations of Hospitals and Clinics

Design Guide Office of Information and Technology (OI&T) for Information Management Systems Physical Security Design Manual (Final Draft)

Emergency Power & Water Supply During Natural Disasters, Phase 2

Fire Protection Design Manual (December 2015)

VA Whole Building Commissioning Process Manual (May 2013)

Freeze the Footprint (FTF) VHA Directive, May 2012

#### Industry Standards and Criteria

ADA Standards for Accessible Design 2010

International Building Code, 2015

NFPA 70E, 2015

NFPA 99, 2015

NFPA 101, 2015

FGI Guidelines for Design and Construction of Health Care Facilities - 2014

THIS PAGE INTENTIONALLY LEFT BLANK