

ELECTRICAL ABBREVIATIONS

1PH	SINGLE-PHASE
1P	SINGLE POLE
2/C	TWO-CONDUCTOR
3/C	THREE-CONDUCTOR
3PH	THREE-PHASE
4/C	FOUR-CONDUCTOR
4W	FOUR-WIRE
A/C UNIT	AIR CONDITIONING UNIT
A/E	ARCHITECT/ENGINEER
AAP	ALARM ANNUNCIATOR PANEL
AC	ALTERNATING CURRENT OR ARMORED CABLE
ACC	ACCESSIBLE
ADDL	ADDITIONAL
ADJ	ADJACENT, ADJOINING
AF	AMPERE FRAME OR AMP FUSE
AFC	ABOVE FINISHED COUNTER, AUTOMATIC FREQUENCY CONTROL, OR AVAILABLE FAULT CURRENT
AFCI	ARC-FAULT CURRENT INTERRUPTER
AFF	ABOVE FINISHED FLOOR
AFG	ABOVE FINISHED GRADE
Ah	AMPERE HOUR
AHJ	AUTHORITY HAVING JURISDICTION
AIC	AMPERE INTERRUPTING CAPACITY
ALT	ALTERNATE
AMB	AMBIENT
AMP	AMPERE
ARCH	ARCHITECT
ASC	AMPS SHORT CIRCUIT
AT	AMPERE TRIP
ATS	AUTOMATIC TRANSFER SWITCH
AUTO	AUTOMATIC
AV	AUDIO VISUAL
BAT	BATTERY
BD	BOARD
BFF	BELOW FINISH FLOOR
BLDG	BUILDING
BRKR	BREAKER
BYP	BY PASS

VA



U.S. Department
of Veterans Affairs

DETAIL TITLE / ELECTRICAL ABBREVIATIONS

SCALE: NONE

DATE ISSUED: JULY 1, 2020

CAD DETAIL NO.: SD260511-01 DWG

ELECTRICAL ABBREVIATIONS

C	CONDUIT
CAB	CABINET
CALC	CALCULATE
CAP	CAPACITY
CAT	CATALOG
CATV	COMMUNITY ANTENNA TELEVISION
CCR	CONTROL CONTACTOR
CCTV	CLOSED CIRCUIT TELEVISION
cd	CANDELA
CD	CONSTRUCTION DOCUMENTS
CF	CONTRACTOR FURNISHED
CF/CI	CONTRACTOR FURNISHED/CONTRACTOR INSTALLED
CF/OI	CONTRACTOR FURNISHED/OWNER INSTALLED
CFE	CONTRACTOR FURNISHED EQUIPMENT
CHW	CHILLED WATER
CHWP	CHILLED WATER PUMP
CKT	CIRCUIT
CKT BRKR OR C/B	CIRCUIT BREAKER
CLF	CURRENT LIMITING FUSE
CLG	CEILING
COAX	COAX CABLE
COMM	COMMUNICATION
COMPT	COMPARTMENT
CONC	CONCRETE
CONT	CONTINUE
CONTR	CONTRACTOR
COORD	COORDINATE
CPT	CONTROL POWER TRANSFORMER
CRI	COLOR RENDERING INDEX
CT	CURRENT TRANSFORMER
CTV	CABLE TELEVISION
CU	COPPER
CUR	CURRENT
dB	DECIBEL
DC	DIRECT CURRENT
DCP	DIMMER CONTROL PANEL
DEG C	DEGREES CELSIUS
DEG F	DEGREES FAHRENHEIT
DEMO	DEMOLITION
DIAG	DIAGRAM
DISC	DISCONNECT
DISTR PNL	DISTRIBUTION PANEL

VA



U.S. Department
of Veterans Affairs

DETAIL TITLE / ELECTRICAL ABBREVIATIONS

SCALE: NONE

DATE ISSUED: JULY 1, 2020

CAD DETAIL NO.: SD260511-02 DWG

ELECTRICAL ABBREVIATIONS

DMR SW	DIMMER SWITCH
DPDT	DOUBLE POLE, DOUBLE THROW
DPST	DOUBLE POLE, SINGLE THROW
DRSW	DOOR SWITCH
DS	DISCONNECT SWITCH
DWG	DRAWING
EL	ELEVATION
ELEC	ELECTRIC OR ELECTRICAL
ELEV	ELEVATOR
EMER	EMERGENCY
EMI	ELECTROMAGNETIC INTERFERENCE
EMT	ELECTRICAL METALLIC TUBING
ENCL	ENCLOSURE
EPO	EMERGENCY POWER OFF
EPRF	EXPLOSION PROOF
ESMT	EASEMENT
EWC	ELECTRIC WATER COOLER
EWH	ELECTRIC WATER HEATER
EXIST OR (E)	EXISTING
FA	FIRE ALARM
FAAP	FIRE ALARM ANNUNCIATOR PANEL
FACP	FIRE ALARM CONTROL PANEL
FC	FOOTCANDLE
FIXT	FIXTURE
FLA	FULL LOAD AMPS
FLUOR	FLUORESCENT
FP	FIRE PROTECTION
FT	FEET OR FOOT
FU SW	FUSED SWITCH
FVNR	FULL VOLTAGE NON-REVERSING
FVR	FULL VOLTAGE REVERSING
G	ELECTRICAL GROUND
GEN	GENERATOR
GFCI	GROUND FAULT CIRCUIT INTERRUPTER
HID	HIGH INTENSITY DISCHARGE
HOA	HAND-OFF-AUTOMATIC
HP	HORSEPOWER
HT	HEIGHT
HZ	HERTZ

VA



U.S. Department
of Veterans Affairs

DETAIL TITLE / ELECTRICAL ABBREVIATIONS

SCALE: NONE

DATE ISSUED: JULY 1, 2020

CAD DETAIL NO.: SD260511-03 DWG

ELECTRICAL ABBREVIATIONS

IESNA	ILLUMINATION ENGINEERING SOCIETY OF NORTH AMERICA
IMC	INTERMEDIATE METAL CONDUIT
INCAND	INCANDESCENT
IR	INFRARED
IWH	INSTANTANEOUS WATER HEATER
J-BOX	JUNCTION BOX
kV	KILOVOLT
kVA	KILOVOLT AMPERE
kVAh	KILOVOLT AMPERE PER HOUR
kVAR	KILOVOLT AMPERE REACTIVE
kW	KILOWATT
kWh	KILOWATT HOUR
kWhM	KILOWATT HOUR METER
LED	LIGHT EMITTING DIODE
LF	LINEAR FEET (FOOT)
LP	LIGHT POLE
LPS	LOW PRESSURE SODIUM
LRA	LOCKED ROTOR AMPS
LT	LIGHT
LTG	LIGHTING
LTG PNL	LIGHTING PANEL
LTNG	LIGHTNING
LV	LOW VOLTAGE
MAX	MAXIMUM
MC	METAL-CLAD
MCA	MINIMUM CIRCUIT AMPS
MCB	MAIN CIRCUIT BREAKER
MCC	MOTOR CONTROL CENTER
MECH	MECHANICAL
MH	MANHOLE
MIN	MINIMUM
MOC	MAXIMUM OVERCURRENT PROTECTION
MLO	MAIN LUGS ONLY
MT	MOUNT
MTD	MOUNTED
MTG	MOUNTING
MTS	MANUAL TRANSFER SWITCH
MV	MEDIUM VOLTAGE
MVA	MEGAVOLT-AMPERE
MW	MEGAWATT

VA



U.S. Department
of Veterans Affairs

DETAIL TITLE / ELECTRICAL ABBREVIATIONS

SCALE: NONE

DATE ISSUED: JULY 1, 2020

CAD DETAIL NO.: SD260511-04 DWG

ELECTRICAL ABBREVIATIONS

NA	NOT APPLICABLE
NC	NORMALLY CLOSED
NEC	NATIONAL ELECTRICAL CODE
NEMA	NATIONAL ELECTRICAL MANUFACTURERS ASSOCIATION
NEUT OR N	NEUTRAL
NFPA	NATIONAL FIRE PROTECTION ASSOCIATION
NIC	NOT IN CONTRACT
NL	NIGHT LIGHT
NO	NORMALLY OPEN
NTS	NOT TO SCALE
OC	ON CENTER
OD	OUTSIDE DIAMETER
OL	OVERLOAD
P	POLE
PB	PULL BOX
PEC	PHOTOELECTRIC CELL
PED	PEDESTAL
PEND	PENDANT
PF	POWER FACTOR
PH	PHASE
PNL	PANEL
PT	POTENTIAL TRANSFORMER
PVC	POLYVINYL CHLORIDE (PLASTIC)
PWR	POWER
RCP	REFLECTED CEILING PLAN
REC	RECESSED
RECPT	RECEPTACLE
RM	ROOM
RMS	ROOT MEAN SQUARE
REQD	REQUIRED
SCC	SHORT CIRCUIT CAPACITY
SD	SMOKE DETECTOR
SF	SQUARE FOOT (FEET)
SHT	SHEET
SI	INTERNATIONAL SYSTEM OF UNITS
SPEC	SPECIFICATION
SPST	SINGLE POLE, SINGLE THROW
SURF	SURFACE
SW	SWITCH

VA



U.S. Department
of Veterans Affairs

DETAIL TITLE / ELECTRICAL ABBREVIATIONS

SCALE: NONE

DATE ISSUED: JULY 1, 2020

CAD DETAIL NO.: SD260511-05 DWG

ELECTRICAL ABBREVIATIONS

SWBD	SWITCHBOARD
SWGR	SWITCHGEAR
TEL	TELEPHONE
TV	TELEVISION
TYP	TYPICAL
UFD	UNDERFLOOR DUCT
UGND	UNDERGROUND
UL	UNDERWRITERS LABORATORY
UON	UNLESS OTHERWISE NOTED
UPS	UNINTERRUPTIBLE POWER SUPPLY
UTIL	UTILITY
V	VOLT
VA	VOLT AMPERE
VAR	VOLT AMPERE REACTIVE
VFD	VARIABLE FREQUENCY DRIVE
VOLT	VOLTAGE
W	WATT
WH	WATER HEATER
WP	WEATHERPROOF
XFER	TRANSFER
XFMR	TRANSFORMER

VA



U.S. Department
of Veterans Affairs

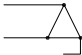


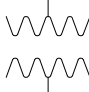




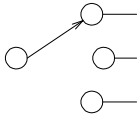
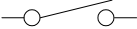
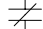

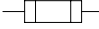



DETAIL TITLE / ELECTRICAL ABBREVIATIONS

SCALE: NONE

DATE ISSUED: JULY 1, 2020

CAD DETAIL NO.: SD260511-06 DWG

ELECTRICAL SYMBOLS - DIAGRAM

	DELTA CONNECTION
	MOTOR, SINGLE-PHASE
	MOTOR, THREE-PHASE
	TRANSFORMER
	WYE CONNECTION
	EARTH GROUND
	JUNCTION BOX
	PULL BOX
	SWITCH, MULTIPOSITION
	SWITCH, SINGLE BREAK
	NORMALLY CLOSED RELAY CONTACT
	NORMALLY OPEN RELAY CONTACT
	FUSE WITH RATING
	CIRCUIT BREAKER
	DRAWOUT AIR CIRCUIT BREAKER
	RELAY; NUMBER INDICATES RELAY TYPE 50 = INSTANTANEOUS OVERCURRENT OR RATE-OF-RISE 51 = AC-TIME OVERCURRENT 67 = AC-DIRECTIONAL OVERCURRENT 86 = LOCKING OUT



U.S. Department
of Veterans Affairs

DETAIL TITLE / ELECTRICAL SYMBOLS - DIAGRAM

SCALE: NONE

DATE ISSUED: JULY 1, 2020

CAD DETAIL NO.: SD260511-07 DWG

ELECTRICAL SYMBOLS - DIAGRAM



DISCONNECT SWITCH, FUSED



DISCONNECT SWITCH, UNFUSED



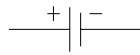
STARTER, COMBINATION WITH DISCONNECT SWITCH



STARTER OR MOTOR CONTROLLER



GENERATOR, POWER



BATTERY



CAPACITOR



METER



AMMETER



VOLTMETER



WATTMETER



WATT-HOUR METER

VA



U.S. Department
of Veterans Affairs





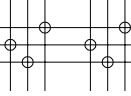

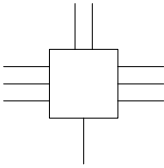


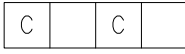


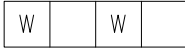
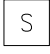




DETAIL TITLE / ELECTRICAL SYMBOLS - DIAGRAM

SCALE: NONE

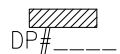


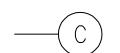


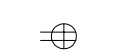

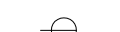
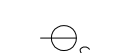

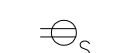



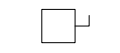

DATE ISSUED: JULY 1, 2020

CAD DETAIL NO.: SD260511-08 DWG

ELECTRICAL SYMBOLS - POWER PLAN

	MOTOR, SINGLE-PHASE
	MOTOR, THREE-PHASE
	TRANSFORMER, PLAN
	WYE CONNECTION
	DUCT, CELL FLOOR HEADER
	DUCT, TROLLEY
	DUCT, UNDERFLOOR JUNCTION BOX
	EARTH GROUND
	JUNCTION BOX
	LADDER CABLE TRAY
	BRANCH CIRCUIT HOMERUN. LINES INDICATE NUMBER OF CIRCUIT NEUTRAL, AND SWITCH LEG CONDUCTORS. ONE SEPARATE GROUNDING CONDUCTOR SHALL BE PROVIDED FOR EACH HOMERUN SHOWN
	PULL BOX
	WIREWAY
	SUBSTATION
	HI VOLTAGE SWITCH ON CONCRETE PAD
	LOW VOLTAGE SWITCH ON CONCRETE PAD
	BUSWAY
	PUSH BUTTON

ELECTRICAL SYMBOLS - POWER PLAN

	DISTRIBUTION PANEL
	PANELBOARD, FLUSH MOUNTED
	PANELBOARD, SURFACE MOUNTED
	RECEPTACLE, CLOCK HANGER
	RECEPTACLE, DUPLEX
	RECEPTACLE, DUPLEX ON EMERGENCY POWER
	RECEPTACLE, DUPLEX WITH GROUND FAULT CIRCUIT INTERRUPTER
	RECEPTACLE, QUADRUPLEX
	RECEPTACLE, SINGLE
	RECEPTACLE, SINGLE WITH SWITCH
	RECEPTACLE, SPECIAL PURPOSE A = 120V, 20A, 1 PHASE, 2-POLE, 3W, NEMA 5-20F B = 208V, 20A, 1 PHASE, 2-POLE, 3W, NEMA 6-20F C = 120V, 30A, 1 PHASE, 2-POLE, 3W, NEMA 5-30F D = 208V, 30A, 1 PHASE, 2-POLE, 3W, NEMA 6-30F E = 208V, 60A, 1 PHASE, 3-POLE, 4W, NEMA 14-60F F = 208V, 30A, 3 PHASE, 3-POLE 4W, NEMA 15-30F G = 208V, 50A, 3 PHASE, 3 POLE, 4W, NEMA 15-30F H = 208V, 60A, 3 PHASE, 3 POLE, 4W, NEMA 15-60F
	RECEPTACLE, SWITCHED DUPLEX
	DROP CORD, SINGLE CONVENIENCE OUTLET, 3-WIRE, (20A, W/#12 CONDUCTORS IN FLEXIBLE CORD (CENTER TO CENTER) 6'-6" [1981mm] AFF. MINIMUM).
	ELECTRICAL STRIP MOLD (OUTLETS ON 2'-0" [610mm] DESIGNATED ON DRAWINGS), MTD 3'-6" [1067mm] AFF INDICATED.
	DISCONNECT SWITCH, FUSED
	DISCONNECT SWITCH, UNFUSED
	STARTER, COMBINATION WITH DISCONNECT SWITCH



U.S. Department of Veterans Affairs

DETAIL TITLE / ELECTRICAL SYMBOLS-POWER PLAN

SCALE: NONE

DATE ISSUED: JULY 1, 2020

CAD DETAIL NO.:

SD260511-10.DWG

ELECTRICAL SYMBOLS - POWER PLAN



STARTER OR MOTOR CONTROLLER

\$#

SWITCH

F = FUSED SWITCH

L = LOCK

M = MANUAL MOTOR STARTING

MP= MOTOR SNAP WITH PILOT LIGHT
(THERMAL TYPE)

PB= PUSH BUTTON STATION

WP= WEATHER PROOF

K = KEY OPERATED

LM= LOW VOLTAGE MASTER

MC= MOMENTARY CONTACT

P = WITH PILOT LIGHT

RC= REMOTE CONTROL

X = EXPLOSION PROOF

VA



U.S. Department
of Veterans Affairs

DETAIL TITLE / ELECTRICAL SYMBOLS-POWER PLAN

SCALE: NONE

DATE ISSUED: JULY 1, 2020

CAD DETAIL NO.:

SD260511-11.DWG

ELECTRICAL SYMBOLS - LIGHTING PLAN



SWITCH, CEILING MOUNTED PULL

\$#

SWITCH (# SUBSCRIPT AS INDICATED BELOW):

BLANK = SINGLE POLE

2 = DOUBLE POLE

3 = THREE-WAY

4 = FOUR-WAY

D = DIMMER

K = KEY OPERATED

LV= LOW VOLTAGE

P = WITH PILOT LIGHT

LM= LOW VOLTAGE MASTER

RC= REMOTE CONTROL

PB= PUSH BUTTON STATION

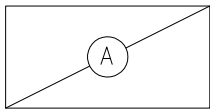
WP= WEATHER PROOF

T = TIMER OPERATED

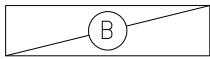
Mo= OCCUPANCY SENSOR



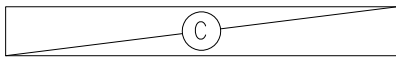
RECESSED DOWNLIGHT FIXTURE, LETTER INDICATES TYPE.



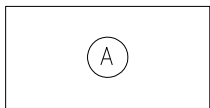
LIGHT FIXTURE, RECESSED, 610x1220mm (2'x4');
LETTER INDICATES TYPE.



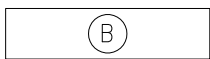
LIGHT FIXTURE, RECESSED, 305x1220mm (1'x4');
LETTER INDICATES TYPE.



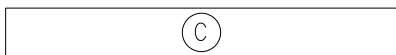
LIGHT FIXTURE, RECESSED, 305x2439mm (1'x8'); LETTER
INDICATES TYPE.



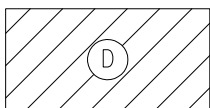
LIGHT FIXTURE, SURFACE MOUNTED, 610x1220mm (2'x4');
LETTER INDICATES TYPE.



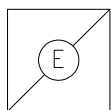
LIGHT FIXTURE, SURFACE MOUNTED, 305x1220mm (1'x4'); LETTER
INDICATES TYPE.



LIGHT FIXTURE, SURFACE MOUNTED, 305x2439mm (1'x8');
LETTER INDICATES TYPE.



LIGHT FIXTURE, EMERGENCY;
LETTER INDICATES TYPE.



LIGHT FIXTURE, RECESSED, 610x610mm (2'x2'); LETTER INDICATES
TYPE.

VA



U.S. Department
of Veterans Affairs

DETAIL TITLE / ELECTRICAL SYMBOLS-LIGHTING PLAN

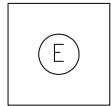
SCALE: NONE

DATE ISSUED: JULY 1, 2020

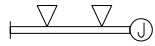
CAD DETAIL NO.:

SD260511-12.DWG

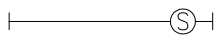
ELECTRICAL SYMBOLS - LIGHTING PLAN



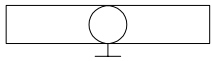
LIGHT FIXTURE, SURFACE MOUNTED, 2'x2' [610x610mm]; LETTER INDICATES TYPE.



LIGHT TRACK WITH HEADS AS SHOWN



LIGHT FIXTURE, STRIP; LETTER INDICATES TYPE.



LIGHT FIXTURE, WALL MOUNTED



LIGHTING, ONE HEAD EMERGENCY BATTERY POWER



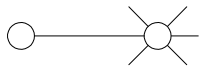
LIGHTING, TWO HEAD EMERGENCY BATTERY POWER



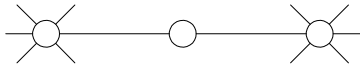
LIGHTING, THREE HEAD EMERGENCY BATTERY POWER



STREET LIGHT WITH BRACKET



LIGHT POLE, ONE LUMINAIRE



LIGHT POLE, TWO LUMINAIRES



LIGHT POLE, POST TOP MOUNT LUMINAIRE



LIGHTING WALL PACK, EXTERIOR BUILDING



EXIT SIGN, WALL MOUNTED WITH DIRECTIONAL ARROWS AND FACES AS SHOWN



EXIT SIGN, CEILING MOUNTED WITH DIRECTIONAL ARROWS AND FACES AS SHOWN



LIGHT FIXTURE, BOLLARD

VA



U.S. Department
of Veterans Affairs

DETAIL TITLE / ELECTRICAL SYMBOLS-LIGHTING PLAN

SCALE: NONE

DATE ISSUED: JULY 1, 2020

CAD DETAIL NO.:

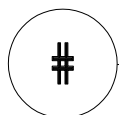
SD260511-13.DWG

GENERAL NOTES

- A. ALL FINAL LOCATIONS AND ARRANGEMENTS OF LIGHTING FIXTURES SHALL BE OBTAINED FROM THE ARCHITECTURAL REFLECTED CEILING PLAN.
- B. LIGHTING FIXTURES WITH MORE THAN TWO LAMPS SHALL HAVE TWO OUTER LAMPS CONTROLLED WITH ONE SWITCH AND INNER LAMP(S) CONTROLLED BY A SECOND SWITCH.
- C. EACH BRANCH CIRCUIT HOMERUN SHALL HAVE NO MORE THAN THREE CIRCUITS. EACH BRANCH CIRCUIT HOMERUN SHALL HAVE A SEPARATE GREEN INSULATED EQUIPMENT GROUNDING CONDUCTOR.
- D. MULTI-GANG BACKBOXES FOR DIFFERENT VOLTAGES AND TYPES OF EMERGENCY AND NORMAL BRANCH WIRING DEVICES SHALL HAVE DIVIDERS BETWEEN DEVICES.

GENERAL NOTES - DEMOLITION

- A. FOR EXISTING EQUIPMENT, SUCH AS LIGHTING FIXTURES, WIRING DEVICES, CONDUITS, ETC., SHOWN ON PLANS TO BE REMOVED, COMPLETELY CUT/CAP CONDUITS AT THE AREA OF WORK PERIMETER AND REMOVE CONDUIT WITHIN THE WORK AREA, DISCONNECT WIRING AT THE OVERCURRENT PROTECTIVE DEVICE AND REMOVE WIRING COMPLETELY FROM THE ABANDONED CONDUITS.
- B. DISCONNECT ALL ABANDONED WIRING OF ALL TYPES AT THE OVERCURRENT PROTECTIVE DEVICE. COMPLETELY REMOVE ALL ABANDONED WIRING.
- C. MAINTAIN AND RESTORE, IF INTERRUPTED, ALL CONDUITS AND CONDUCTORS PASSING THROUGH RENOVATED AREAS AND SERVICING UNDISTURBED AREAS.



GENERAL AND DEMOLITION NOTES

NTS

VA



U.S. Department
of Veterans Affairs

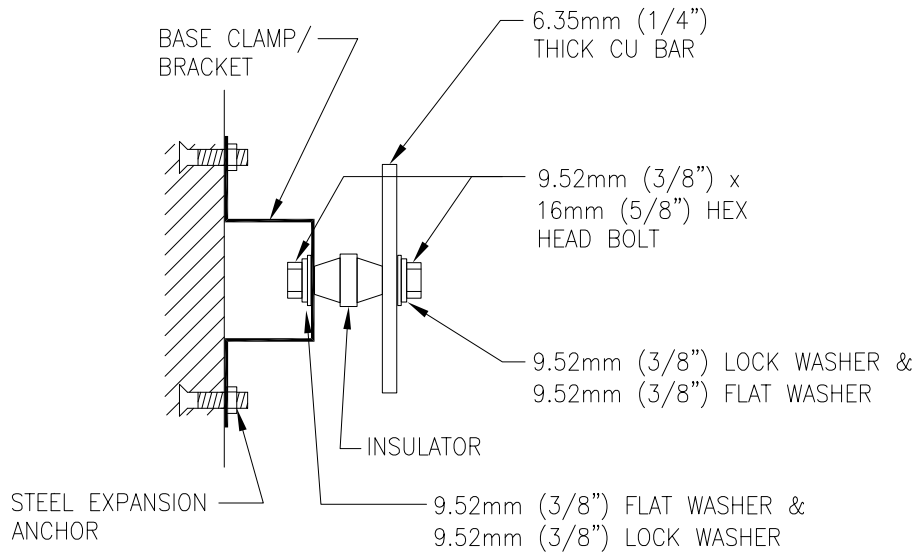
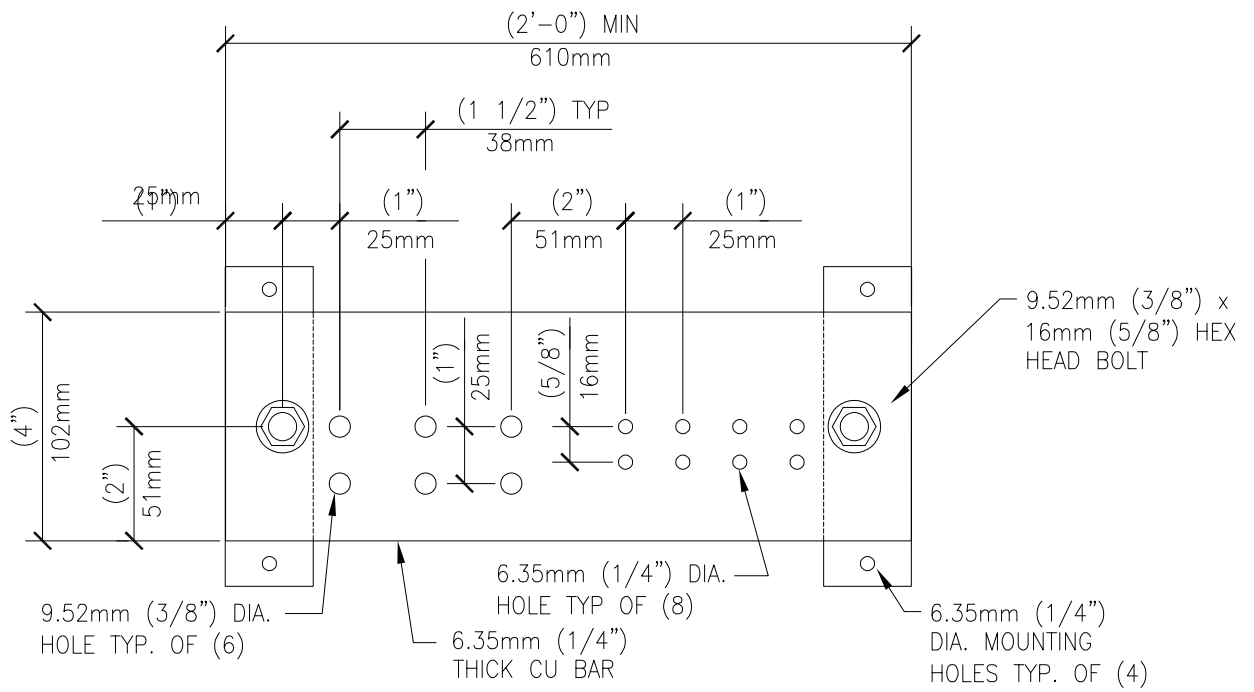
DETAIL TITLE / GENERAL AND DEMOLITION NOTES

SCALE: NONE

DATE ISSUED: JULY 1, 2020

CAD DETAIL NO.:

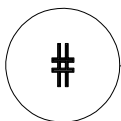
SD260511-14.DWG



SECTION

GENERAL NOTES:

1. ALL HARDWARE SHALL BE STAINLESS STEEL.
2. PROVIDE 1 MOUNTING POINT PER 305mm (12") OF BAR LENGTH.
3. HOLES MAY BE ADDED IF REQUIRED.



GROUNDING BAR DETAIL

NTS

VA



U.S. Department
of Veterans Affairs

DETAIL TITLE / GROUNDING BAR DETAIL

SCALE: NONE

DATE ISSUED: JULY 1, 2020

CAD DETAIL NO.:

SD260526-01.DWG

PROVIDE 127mm (5") OF SLACK AT MIDPOINT BETWEEN TWO END OF FLEXIBLE GALVANIZED STEEL CONDUIT. PROVIDE GREEN INSULATED COPPER EQUIPMENT GROUNDING CONDUCTOR WITH FLEXIBLE CONDUIT.

SEISMIC OR EXPANSION JOINT. FIELD VERIFY ACTUAL CONDITIONS & LOCATIONS.

FLOOR OR ROOF STRUCTURE. FIELD VERIFY ACTUAL CONDITIONS, TYP.

STRUCTURAL MEMBER (BEAM, JOIST, ETC.), TYP.

STEEL EXPANSION ANCHOR

CONDUIT TRAPEZE PER SD260533-03, TYP.

CONDUIT, TYP.

BEAM CLAMP, TYP.

JUNCTION BOX OR PULLBOX, TYP (SIZE AS REQUIRED)

INTEGRAL GALVANIZED LIPPED STEEL MOUNTING CHANNEL

(3'-0") MAX
914mm

BEAM CLAMP, TYP.

SPRING NUT

INTEGRAL GALVANIZED LIPPED STEEL MOUNTING CHANNEL

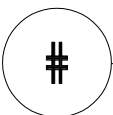
PROVIDE EXTRA CABLE LENGTH TO MAKE COMPLETE LOOP AROUND BOX PERIMETER

CONDUIT FITTING

JUNCTION BOX OR PULLBOX (SIZE AS REQUIRED)

GENERAL NOTE:

1. DETAIL IS APPLICABLE ONLY FOR CONDUIT SMALLER THAN 76mm (3").



CONDUIT EXPANSION JOINT CROSSING-FLEXIBLE CONDUIT

NTS

VA



U.S. Department of Veterans Affairs

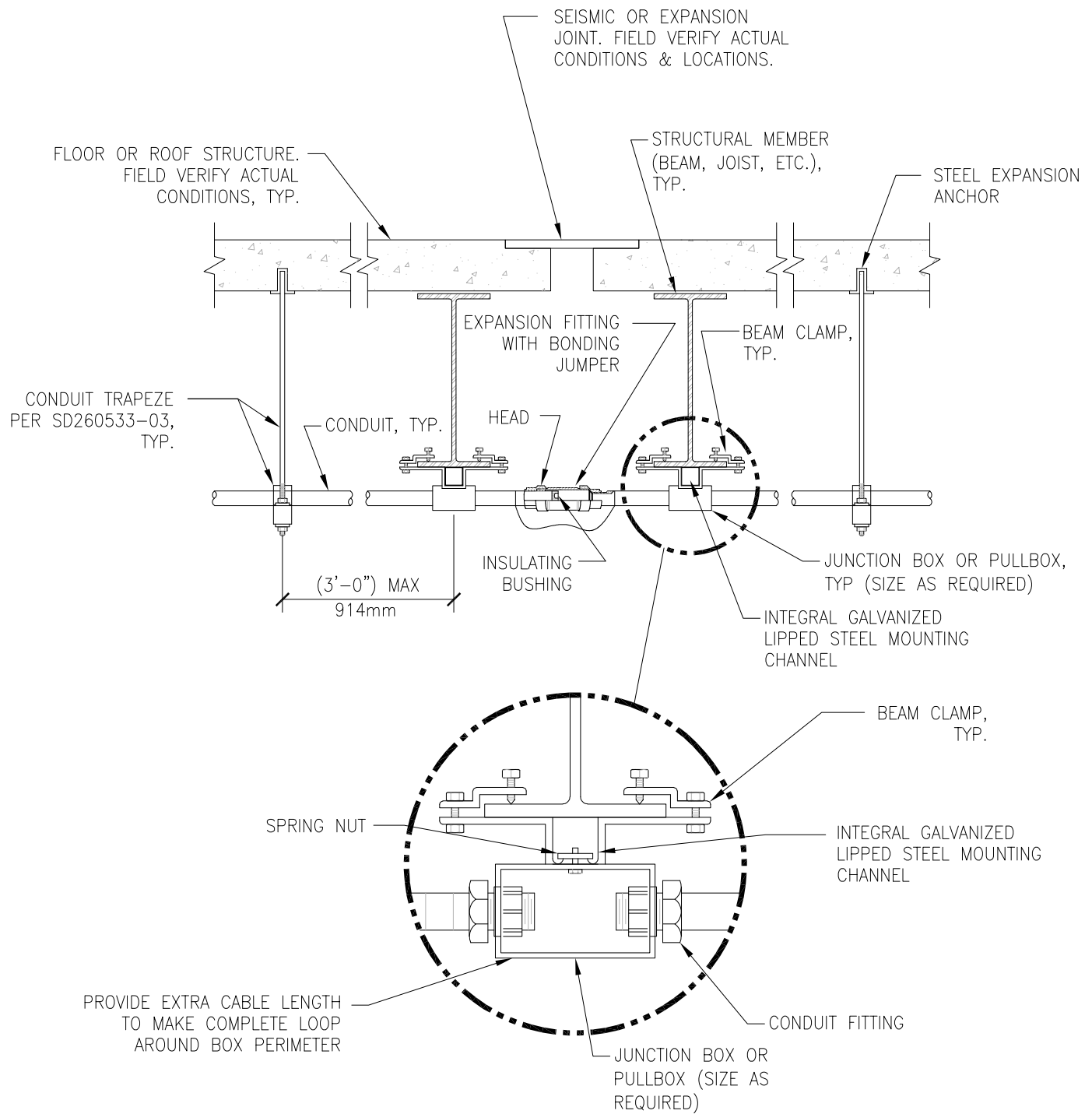
DETAIL TITLE / CONDUIT EXPANSION JOINT CROSSING - FLEXIBLE CONDUIT DETAIL

SCALE: NONE

DATE ISSUED: JULY 1, 2020

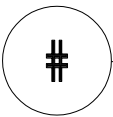
CAD DETAIL NO.:

SD260533-01.DWG



GENERAL NOTE:

1. INSTALLATION IS ACCEPTABLE ALTERNATE TO DETAIL SD260533-01.
2. INSTALLATION IS REQUIRED FOR CONDUIT SMALLER THAN 76mm (3") AND LARGER.



CONDUIT EXPANSION JOINT CROSSING-EXPANSION FITTING

NTS



U.S. Department of Veterans Affairs

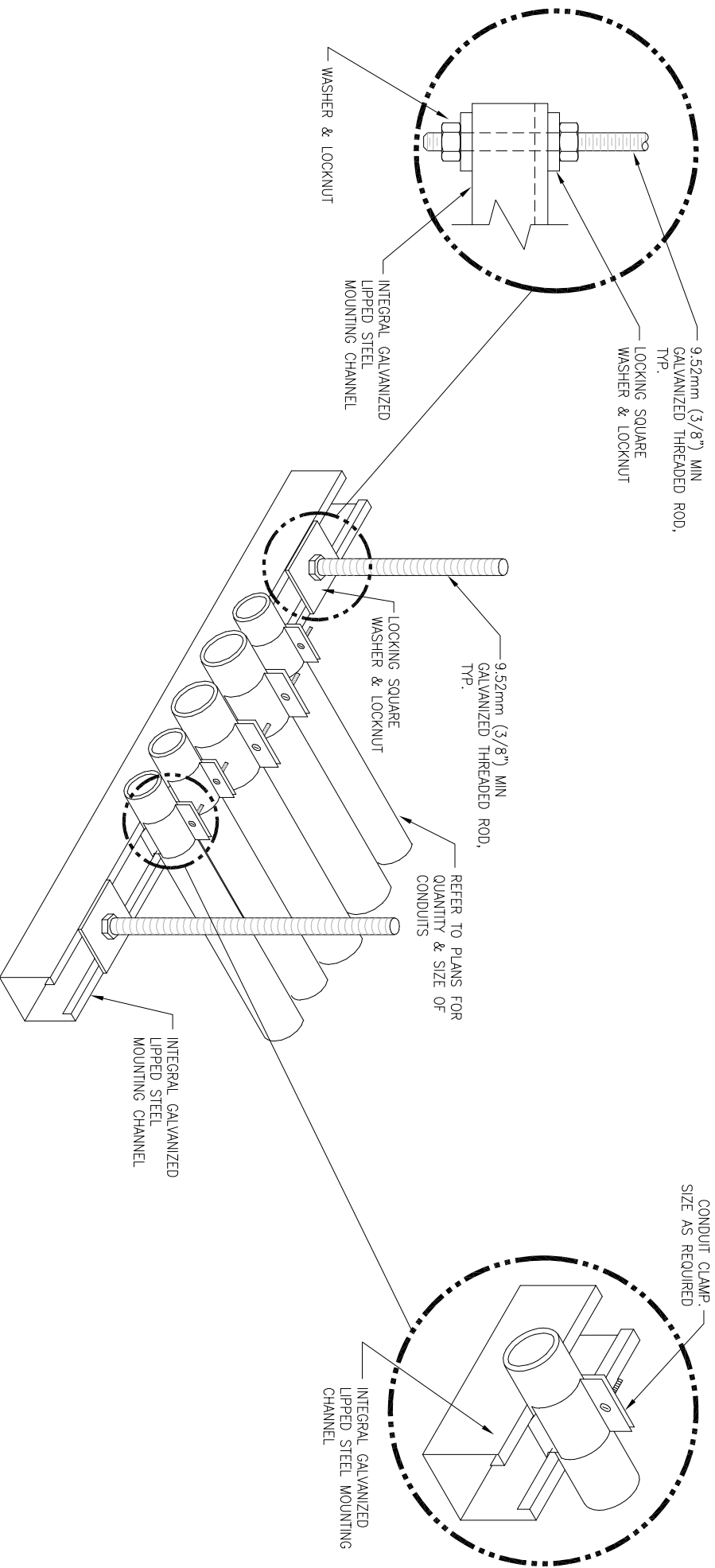
DETAIL TITLE / CONDUIT EXPANSION JOINT CROSSING - EXPANSION FITTING DETAIL

SCALE: NONE

DATE ISSUED: JULY 1, 2020

CAD DETAIL NO.:

SD260533-02.DWG



GENERAL NOTES:

1. INTEGRAL GALVANIZED LIPPED STEEL MOUNTING CHANNEL LONGER THAN 915mm (36") SHALL BE INSTALLED WITH A CENTER SUPPORT ROD. SUPPORT RODS SHALL NOT BE GREATER THAN 457mm (18") APART.
2. FASTEN THREADED ROD TO STRUCTURE BY APPROVED METHOD PER SPECIFICATION 26 05 33, RACEWAY AND BOXES FOR ELECTRICAL SYSTEMS. FIELD VERIFY EXACT CONDITIONS.
3. FOR TRAPEZE INSTALLATIONS IN SEISMIC AREAS REFER TO SPECIFICATION SECTION 13 05 41, SEISMIC RESTRAINT REQUIREMENTS FOR NON-STRUCTURAL COMPONENTS.

#

CONDUIT TRAPEZE MOUNTING DETAIL

NTS

DETAIL TITLE / CONDUIT TRAPEZE MOUNTING DETAIL



SCALE: NONE

DATE ISSUED: JULY 1, 2020

CAD DETAIL NO.: SD260533-03.DWG

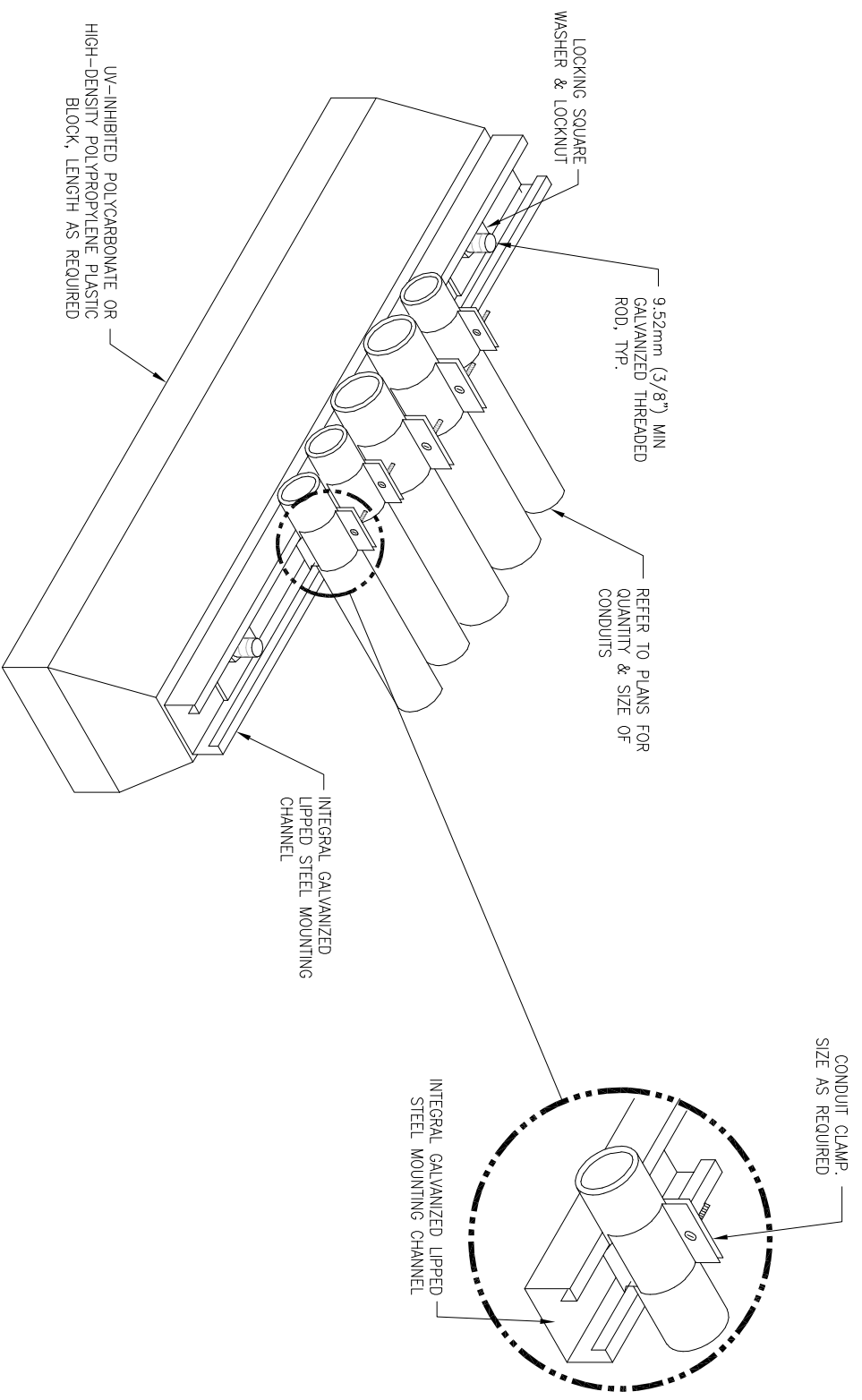
DETAIL TITLE / ROOF CONDUIT SUPPORT DETAIL

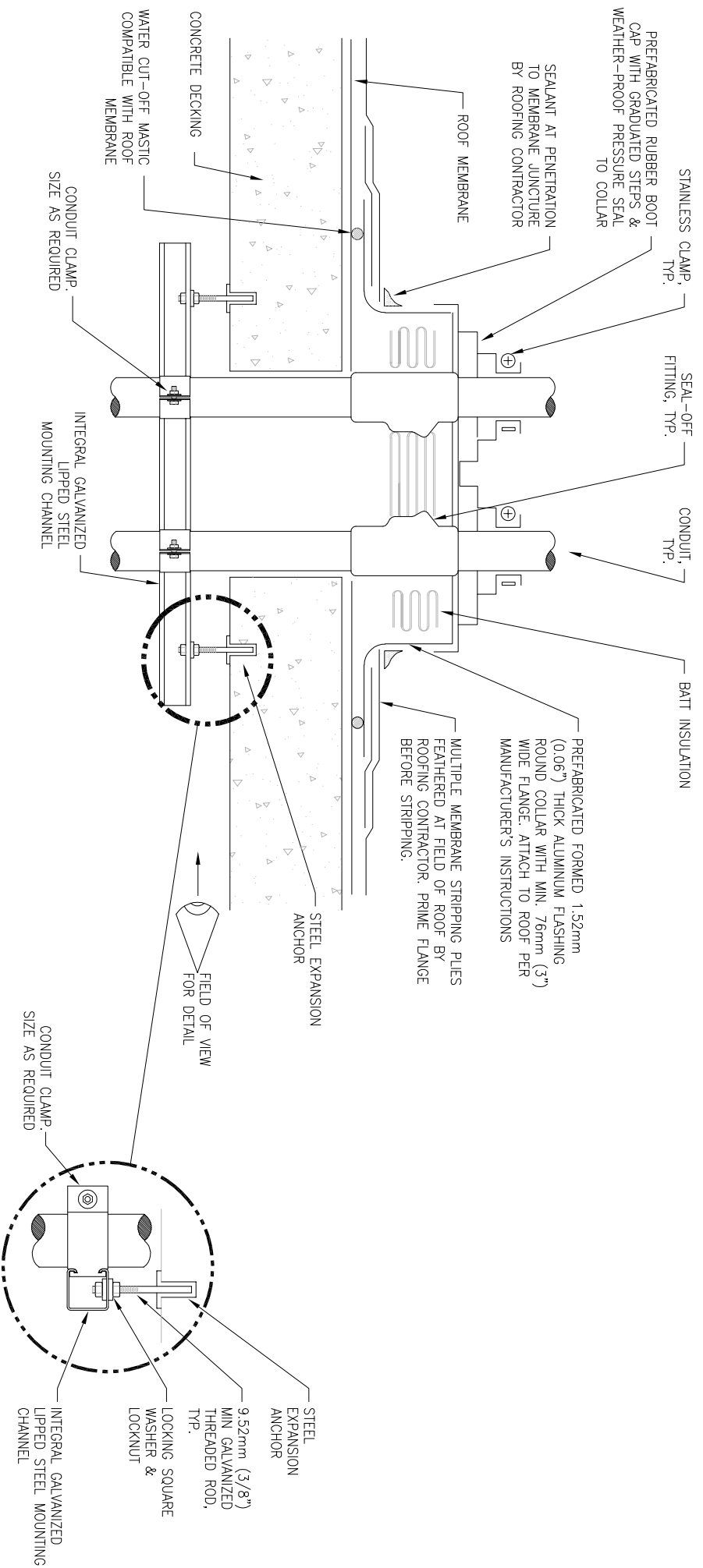
SCALE: NONE

DATE ISSUED: JULY 1, 2020

CAD DETAIL NO.: SD260533-04.DWG

ROOF CONDUIT SUPPORT DETAIL
 NTS





GENERAL NOTES:

1. MAINTAIN A MINIMUM CLEARANCE OF 305mm (12") ON ALL SIDES OF ROOF PENETRATION FROM WALLS, CURBS, AND OTHER PROJECTIONS TO FACILITATE PROPER FLASHING.
2. FLANGES OF ADJACENT FLASHINGS SHALL NOT BE CUT OR OVERLAPPED.
3. VERIFY ROOF & STRUCTURAL SYSTEM WITH ARCHITECT.
4. COORDINATE FLASHING INSTALLATION WITH ROOFING CONTRACTOR TO ENSURE PROPER METHODS & MATERIALS ARE USED TO MAINTAIN ROOF WARRANTY.

CONDUIT ROOF PENETRATION DETAIL

NTS

DETAIL TITLE / CONDUIT ROOF PENETRATION DETAIL

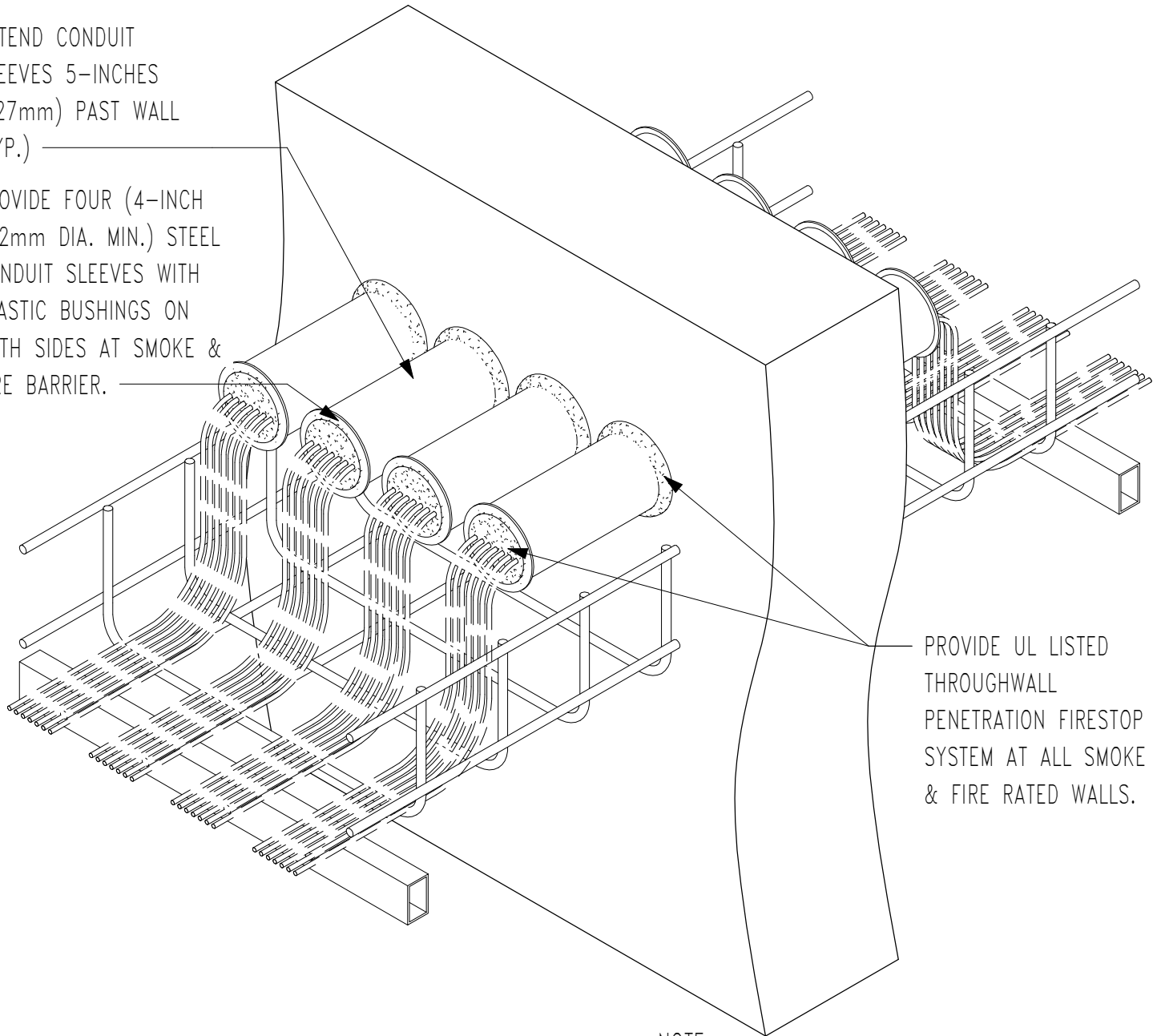
SCALE: NONE

DATE ISSUED: JULY 1, 2020

CAD DETAIL NO.: SD260533-05.DWG

EXTEND CONDUIT
SLEEVES 5-INCHES
(127mm) PAST WALL
(TYP.)

PROVIDE FOUR (4-INCH
102mm DIA. MIN.) STEEL
CONDUIT SLEEVES WITH
PLASTIC BUSHINGS ON
BOTH SIDES AT SMOKE &
FIRE BARRIER.



PROVIDE UL LISTED
THROUGHWALL
PENETRATION FIRESTOP
SYSTEM AT ALL SMOKE
& FIRE RATED WALLS.

NOTE:

1. CABLE-TRAY SHALL NOT PENETRATE THE SMOKE/FIRE BARRIER WALL.
2. ENGINEER TO PROVIDE TOTAL QUANTITY OF SLEEVES REQUIRED FOR 150% OF RATED CABLE TRAY CAPACITY

CABLE TRAY TRANSITION AT SMOKE & FIRE-RATED WALLS

Scale: N.T.S.

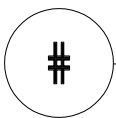
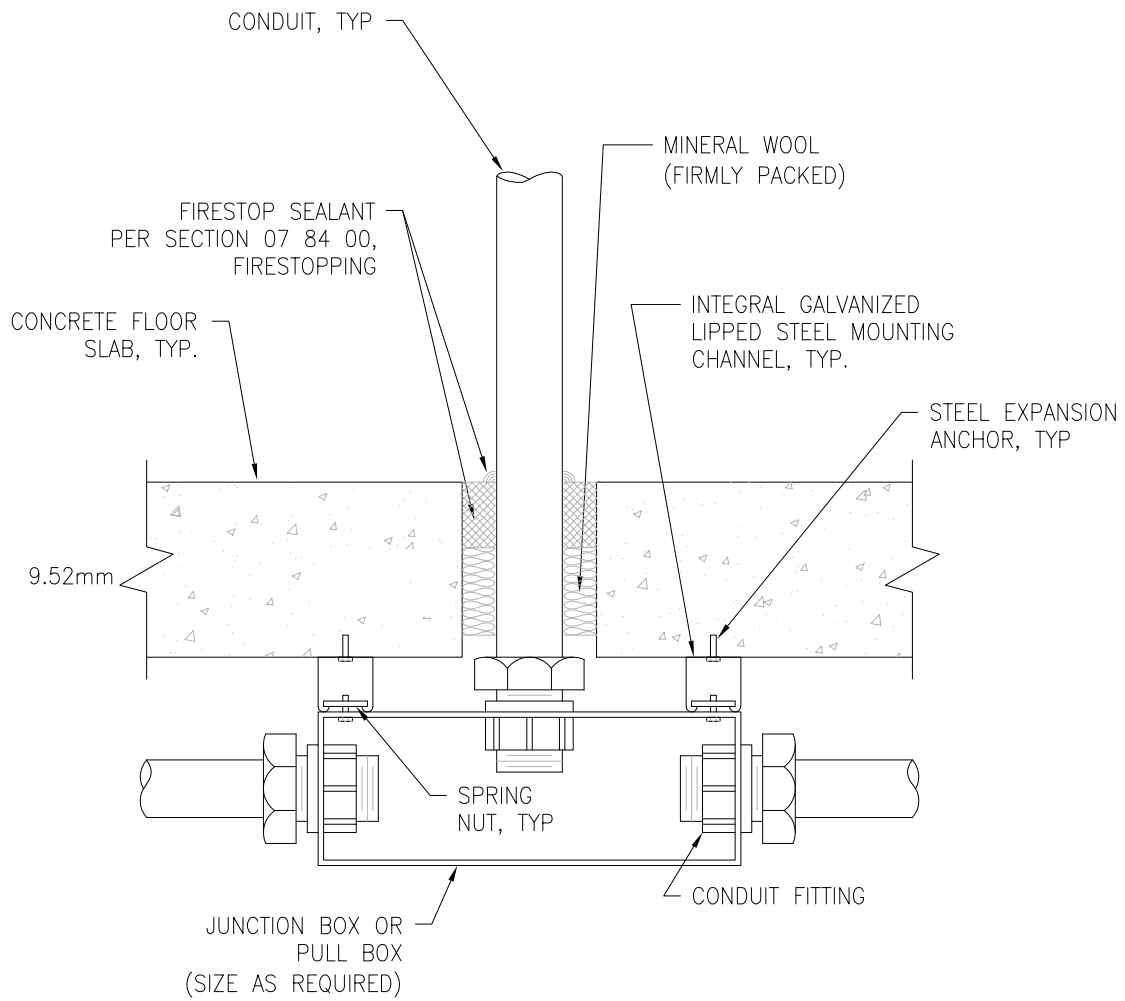


DETAIL TITLE: CABLE TRAY TRANSITION AT SMOKE & FIRE-RATED WALLS

SCALE: N.T.S.

DATE ISSUED: 03/01/23

CAD DETAIL NO.: SD260533-06



FLOOR SLAB PENETRATION DETAIL

NTS

VA



U.S. Department of Veterans Affairs

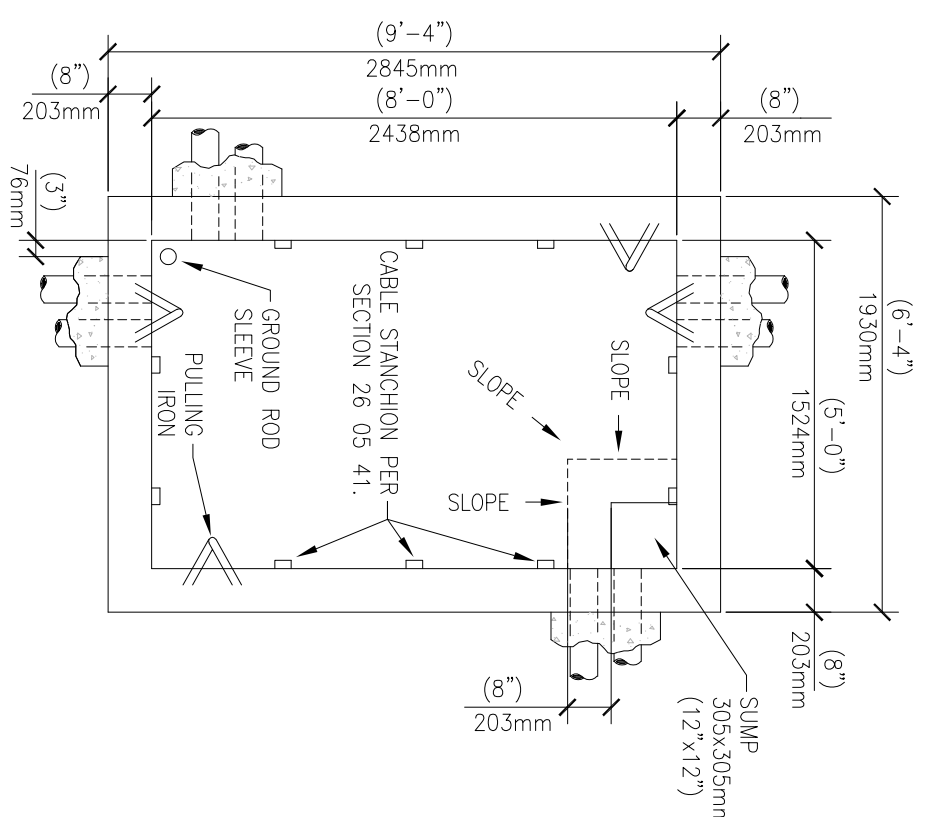
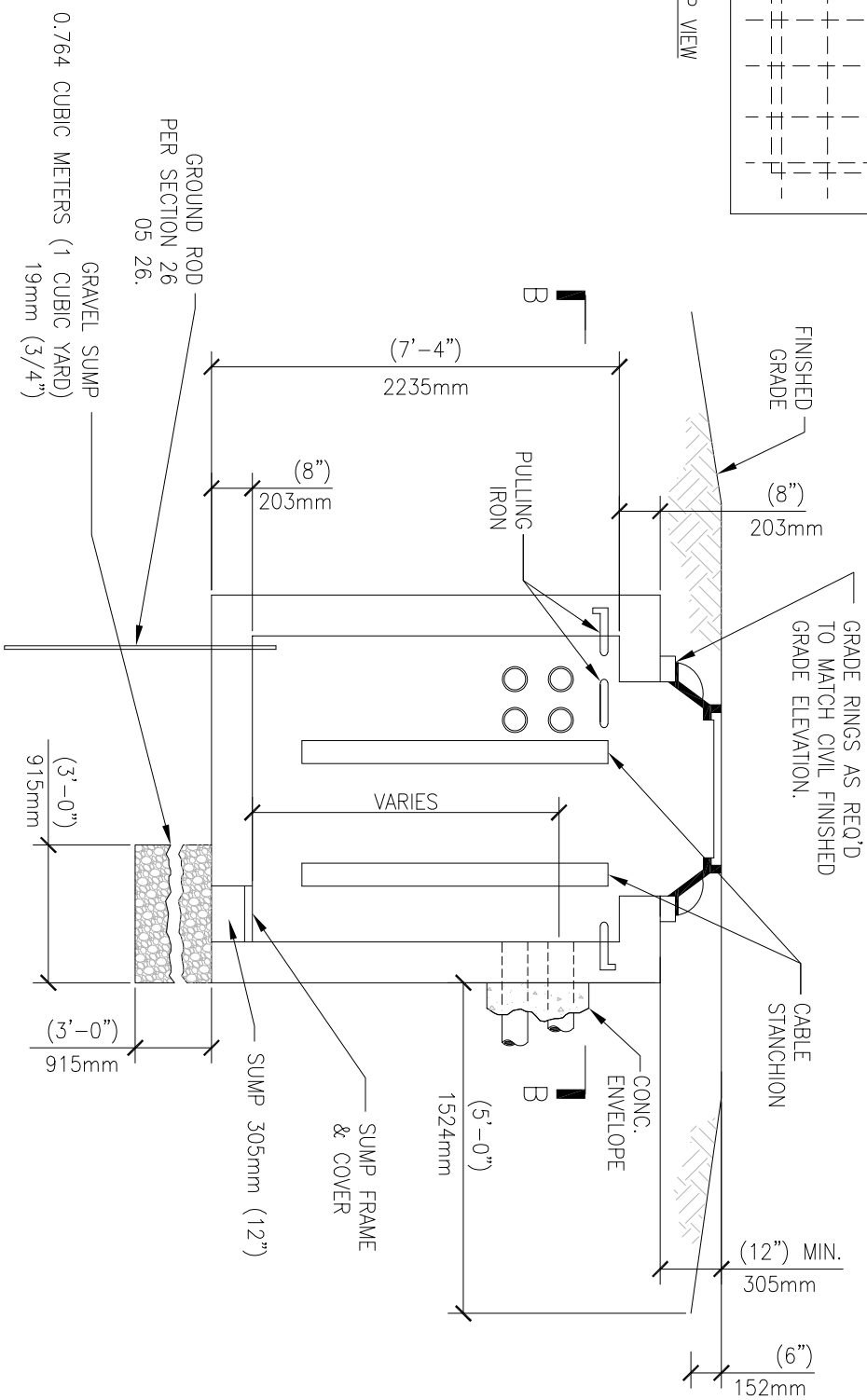
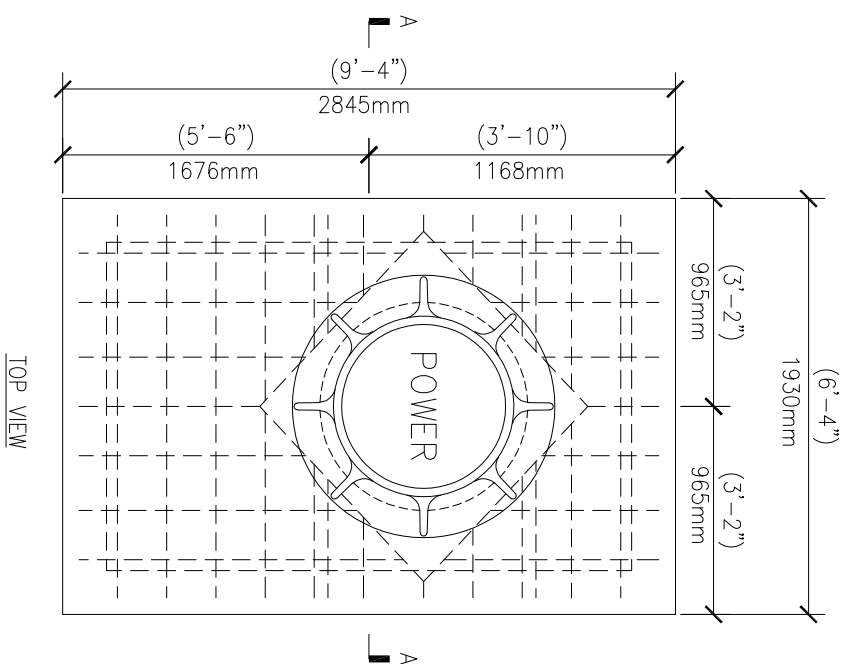
DETAIL TITLE / FLOOR SLAB PENETRATION DETAIL

SCALE: NONE

DATE ISSUED: JULY 1, 2020

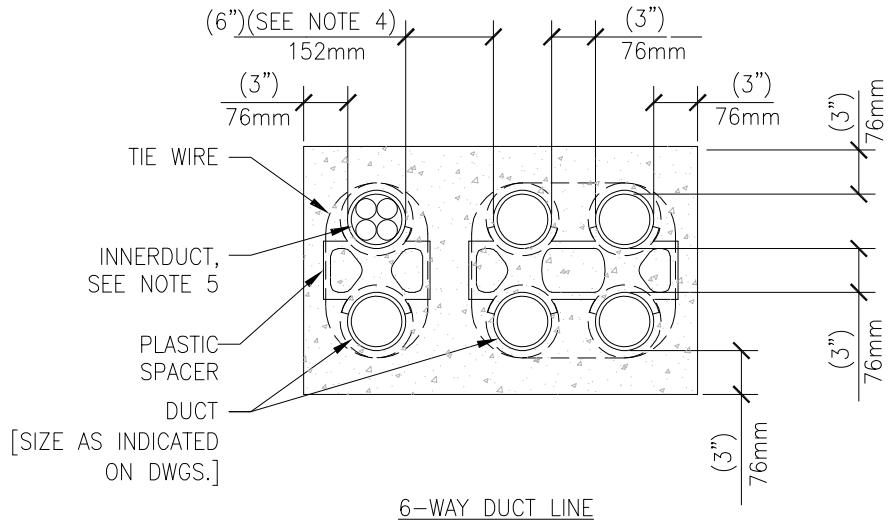
CAD DETAIL NO.:

SD260539-01DWG

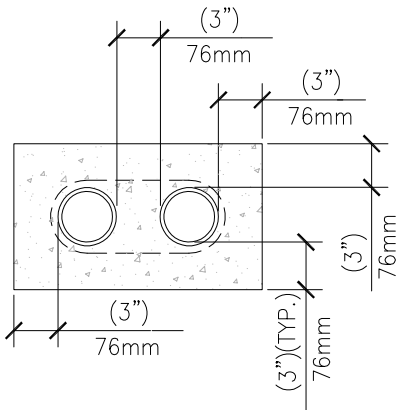


GENERAL NOTE:
INCLUDE ALUMINUM LADDER (NOT SHOWN FOR CLARITY)

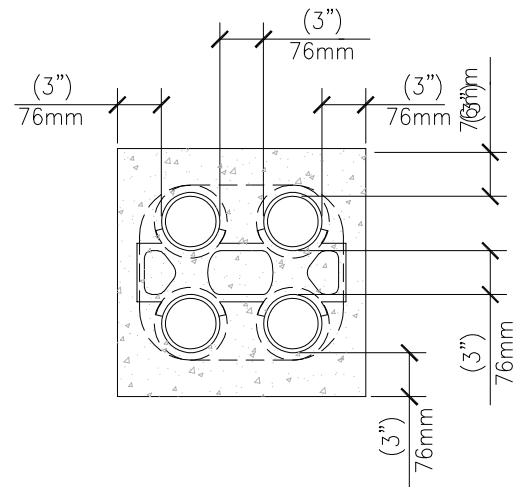
POWER MANHOLE DETAILS
NTS



6-WAY DUCT LINE



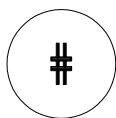
2-WAY DUCT LINE



4-WAY DUCT LINE

GENERAL NOTES:

1. CONCRETE SHALL BE 2000 P.S.I. @ 28 DAYS, OR AS SPECIFIED.
2. PROVIDE #4 REINFORCING RODS ON TOP AND BOTTOM OF DUCTS WHEN CROSSING OR PLACED IN ROADWAYS.
3. MINIMUM COVER TO TOP OF ENVELOPE SHALL BE 610mm (24") OR AS OTHERWISE SPECIFIED IN SECTION 26 05 41.
4. PROVIDE MINIMUM 152mm (6") SPACE BETWEEN POWER AND TELECOMMUNICATION DUCTS. INCREASE SIZE AS REQUIRED.
5. INNERDUCT QUANTITY AND SIZE AS INDICATED ON PLANS.



DUCT BANK DETAILS

NTS

VA



U.S. Department
of Veterans Affairs

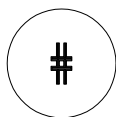
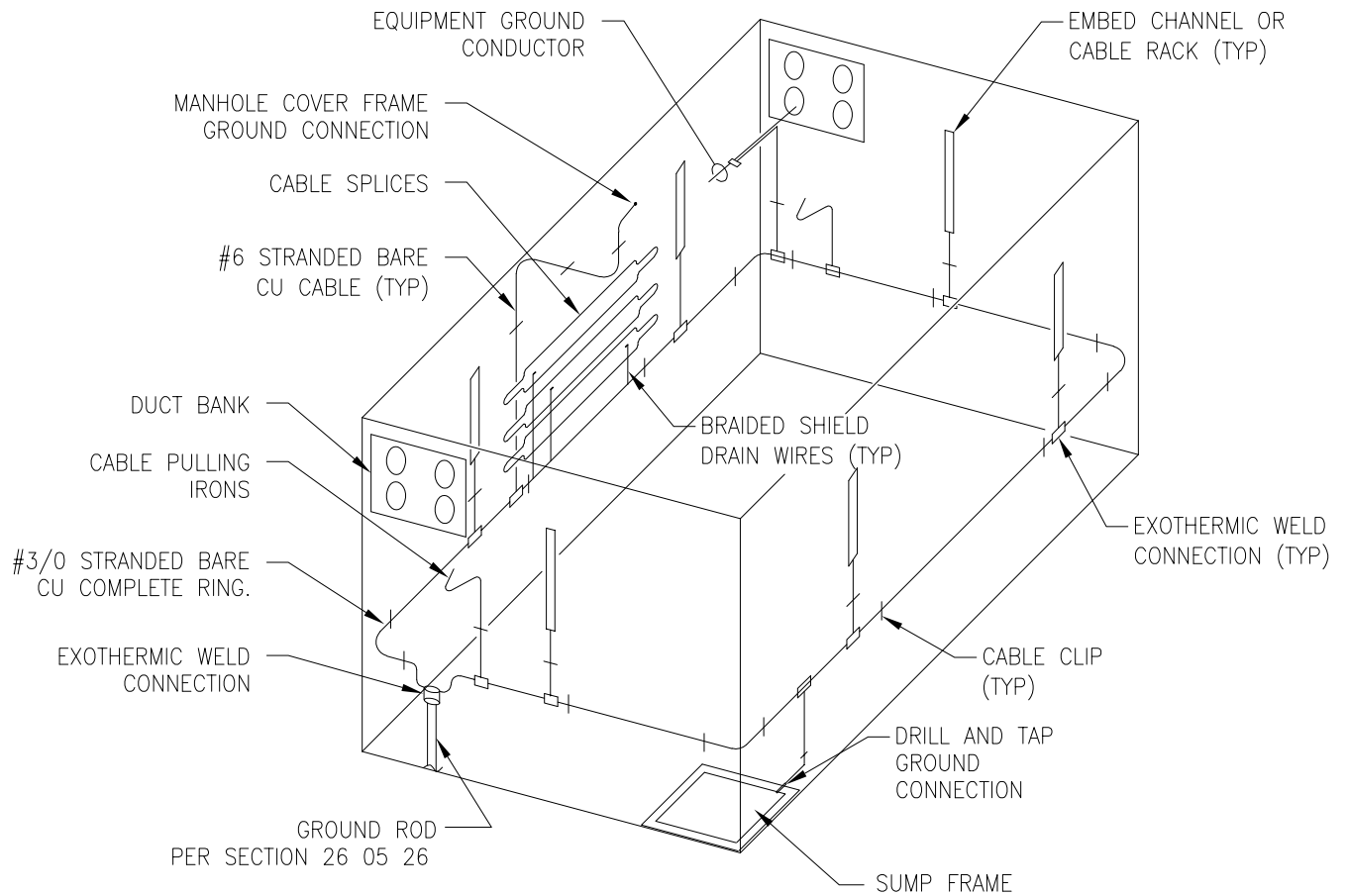
DETAIL TITLE / DUCT BANK DETAIL

SCALE: NONE

DATE ISSUED: JULY 1, 2020

CAD DETAIL NO.:

SD260541-02 DWG



MANHOLE GROUNDING DETAIL

NTS

VA



U.S. Department
of Veterans Affairs

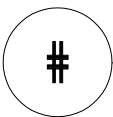
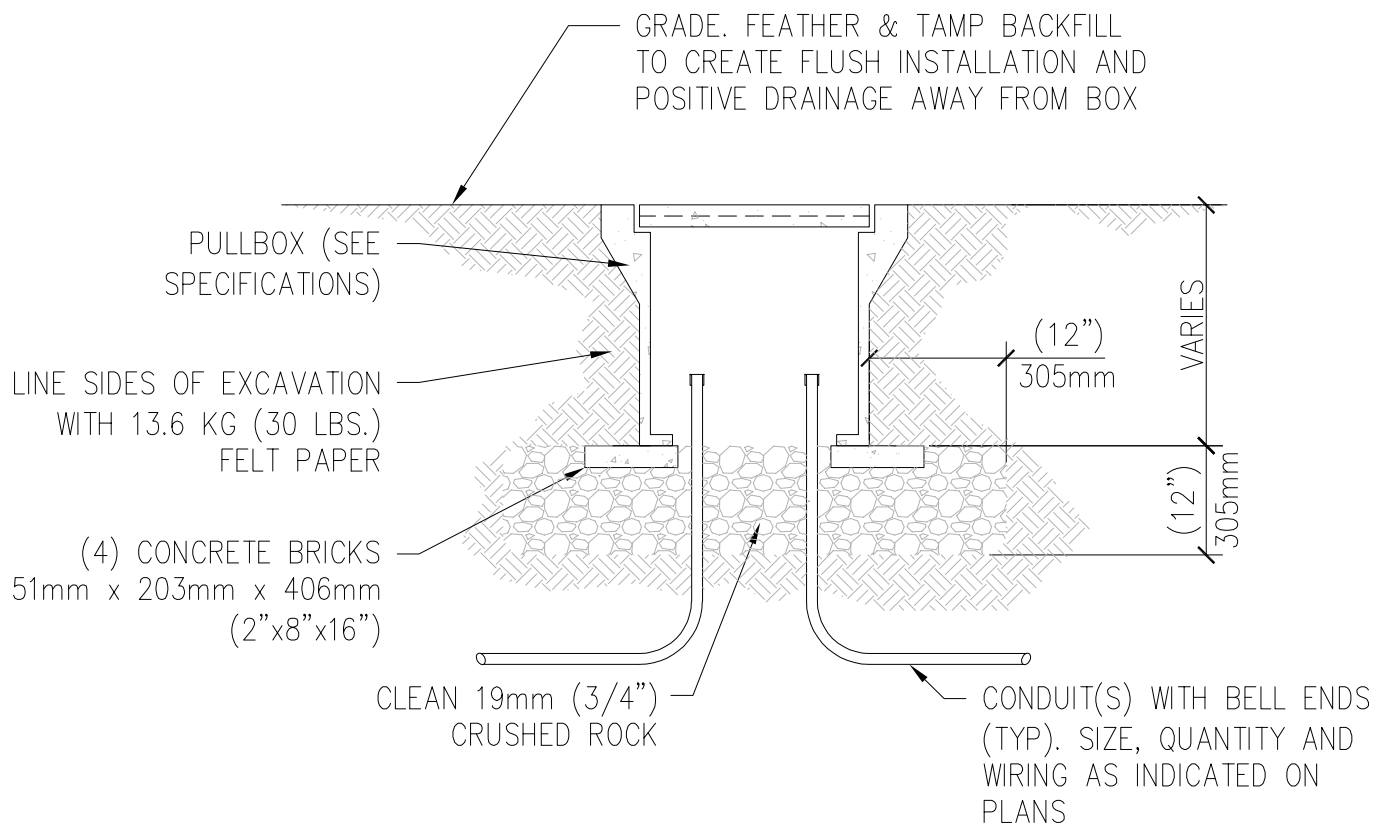
DETAIL TITLE / MANHOLE GROUNDING DETAIL

SCALE: NONE

DATE ISSUED: JULY 1, 2020

CAD DETAIL NO.:

SD260541-03 DWG



UNDERGROUND CONCRETE PULLBOX - TURF AREA DETAIL

NTS

VA



U.S. Department of Veterans Affairs

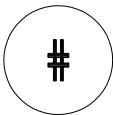
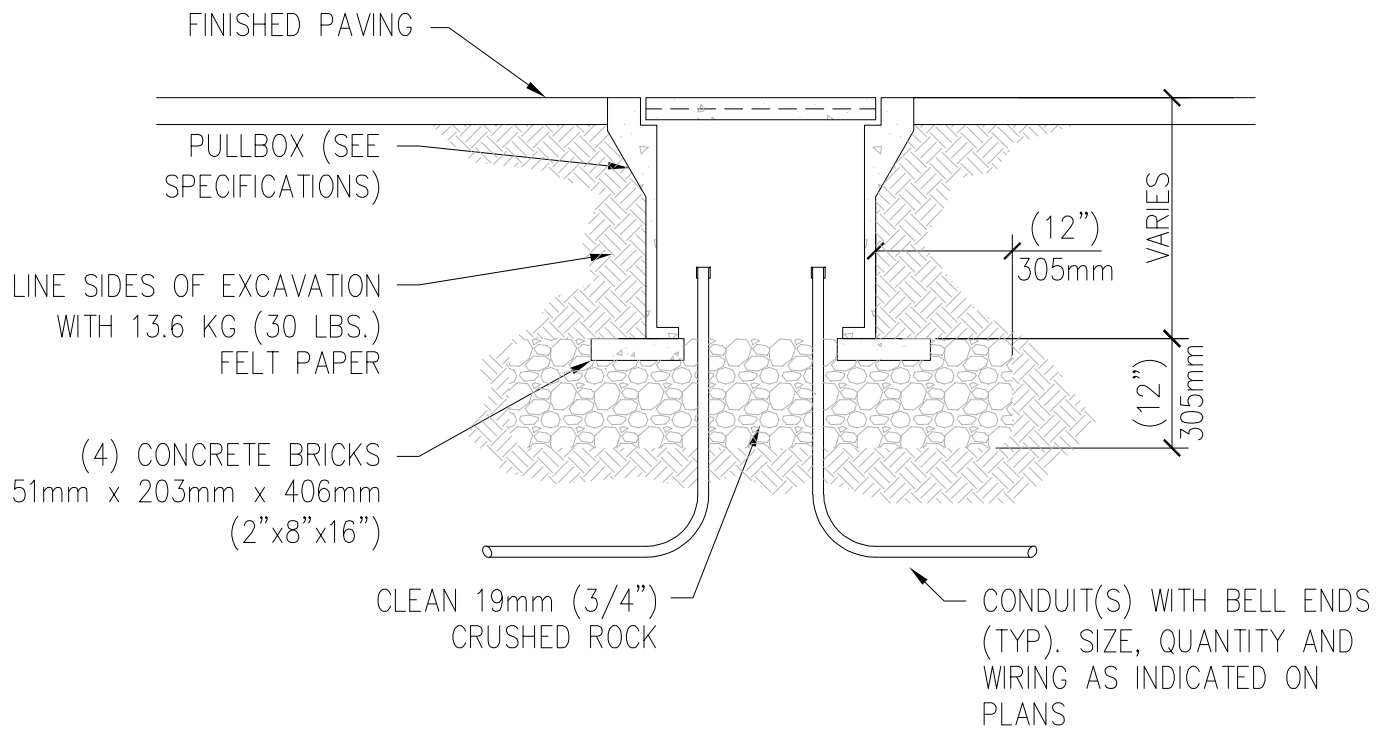
DETAIL TITLE / UNDERGROUND CONCRETE PULLBOX - TURF AREA DETAIL

SCALE: NONE

DATE ISSUED: JULY 1, 2020

CAD DETAIL NO.:

SD260541-04 DWG



UNDERGROUND CONCRETE PULLBOX - PAVED AREAS DETAIL

NTS

VA



U.S. Department
of Veterans Affairs

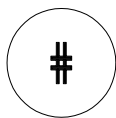
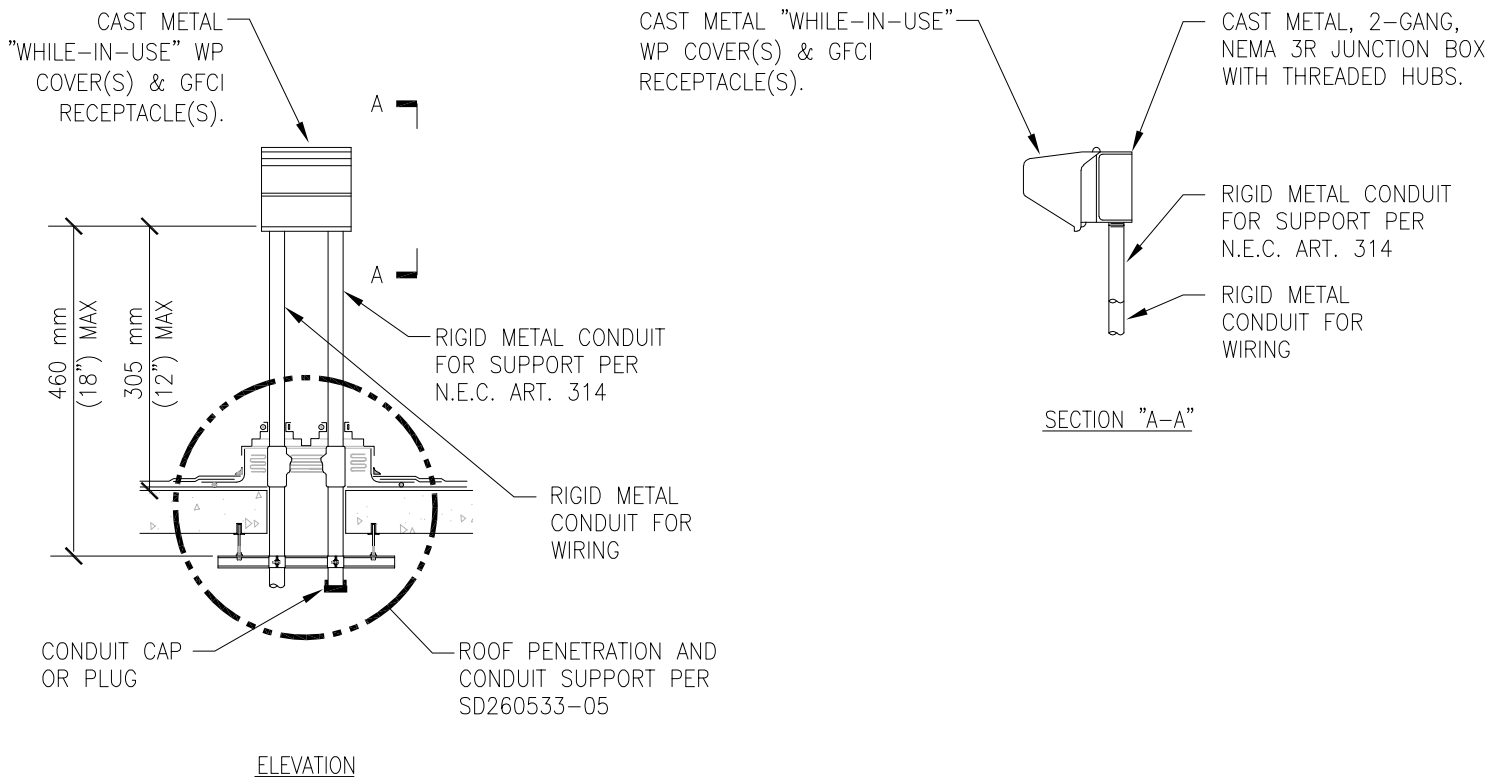
DETAIL TITLE / UNDERGROUND CONCRETE PULLBOX - PAVED AREAS DETAIL

SCALE: NONE

DATE ISSUED: JULY 1, 2020

CAD DETAIL NO.:

SD260541-05 DWG



RECEPTACLE ROOF MOUNTING DETAIL

NTS



U.S. Department of Veterans Affairs

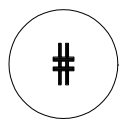
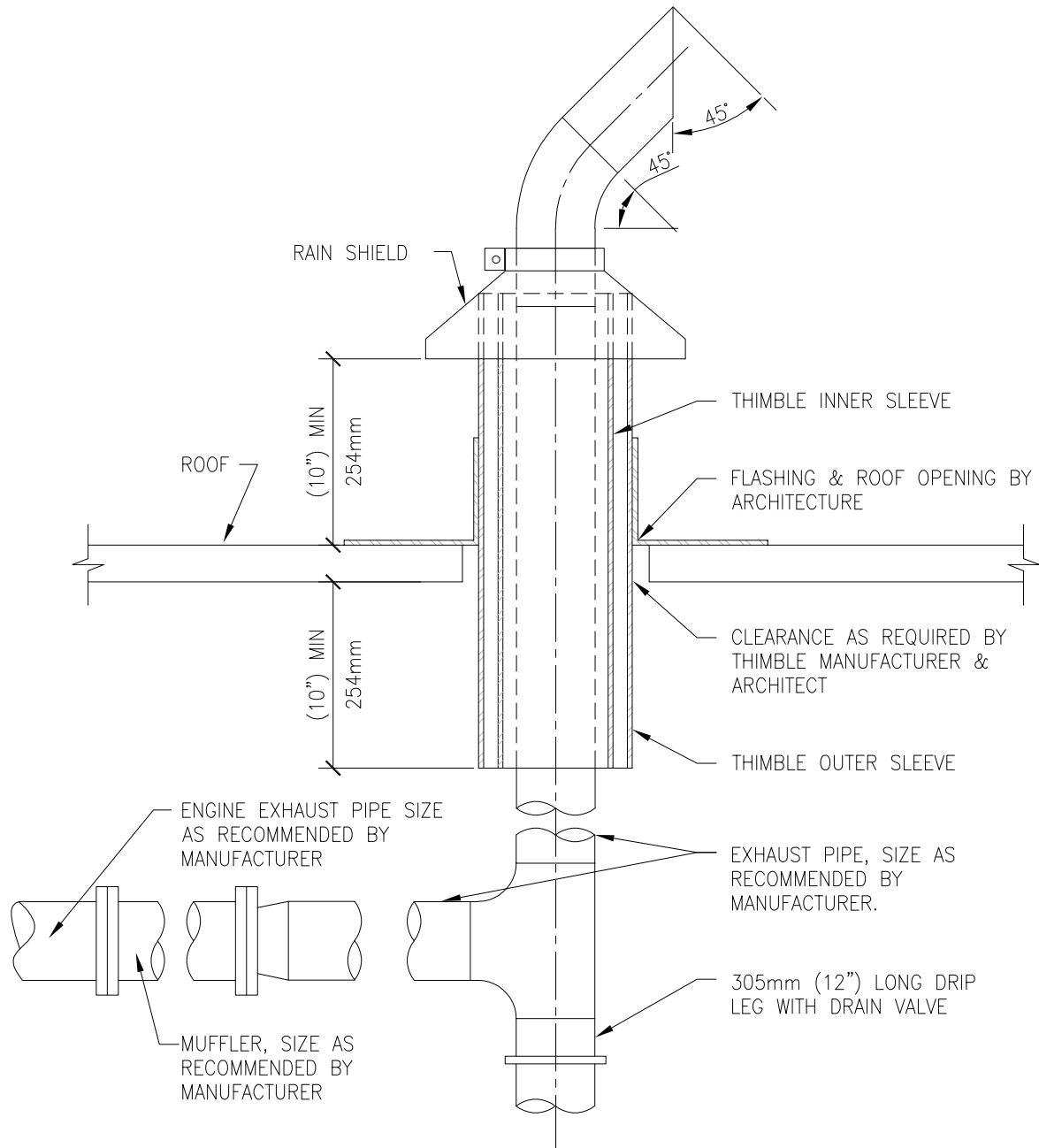
DETAIL TITLE / RECEPTACLE ROOF MOUNTING DETAIL

SCALE: NONE

DATE ISSUED: JULY 1, 2020

CAD DETAIL NO.:

SD262726-01 DWG



EMERGENCY GENERATOR EXHAUST

NTS

VA



U.S. Department
of Veterans Affairs

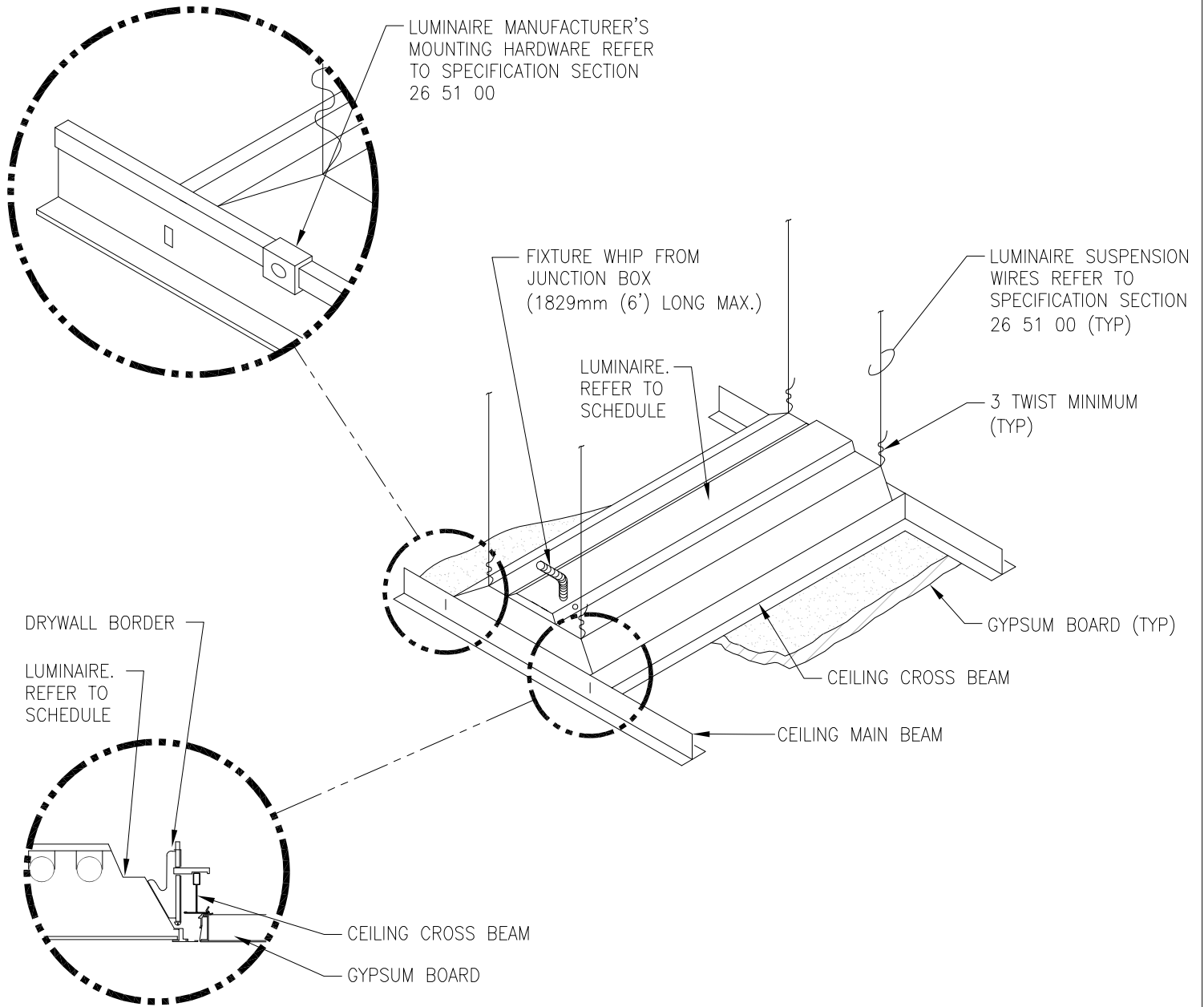
DETAIL TITLE / EMERGENCY GENERATOR EXHAUST

SCALE: NONE

DATE ISSUED: JULY 1, 2020

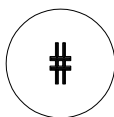
CAD DETAIL NO.:

SD263213-01 DWG



GENERAL NOTE:

1. INSTALL IN ACCORDANCE WITH MANUFACTURER'S MOUNTING INSTRUCTIONS AND USING THE RECOMMENDED MOUNTING HARDWARE.



LUMINAIRE MOUNTING - GYPBOARD CEILING

NTS

VA



U.S. Department
of Veterans Affairs

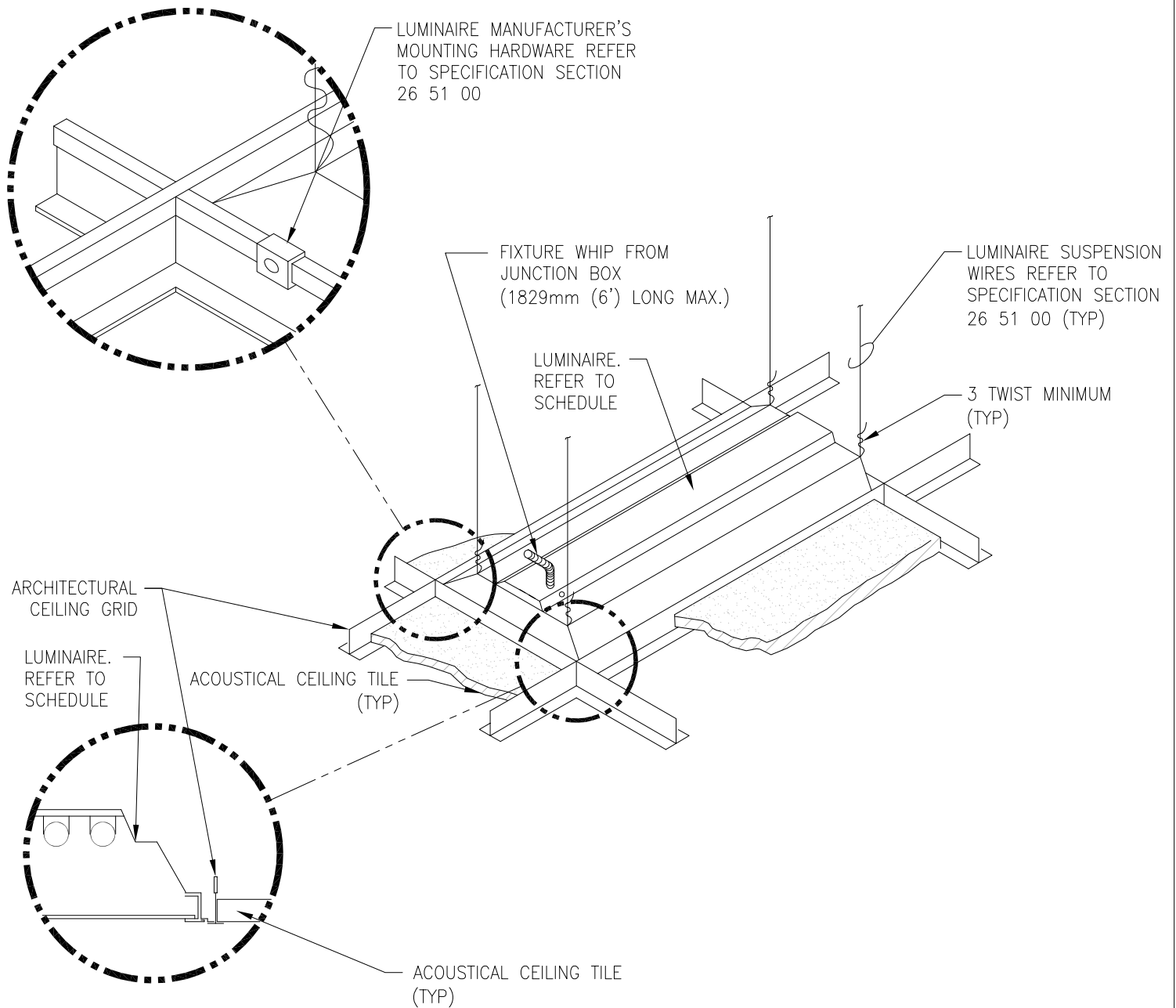
DETAIL TITLE / LUMINAIRE MOUNTING - GYPBOARD CEILING DETAIL

SCALE: NONE

DATE ISSUED: JULY 1, 2020

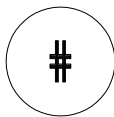
CAD DETAIL NO.:

SD265100-01 DWG



GENERAL NOTE:

1. INSTALL IN ACCORDANCE WITH MANUFACTURER'S MOUNTING INSTRUCTIONS AND USING THE RECOMMENDED MOUNTING HARDWARE.



LUMINAIRE MOUNTING - LAY-IN CEILING

NTS

VA



U.S. Department
of Veterans Affairs

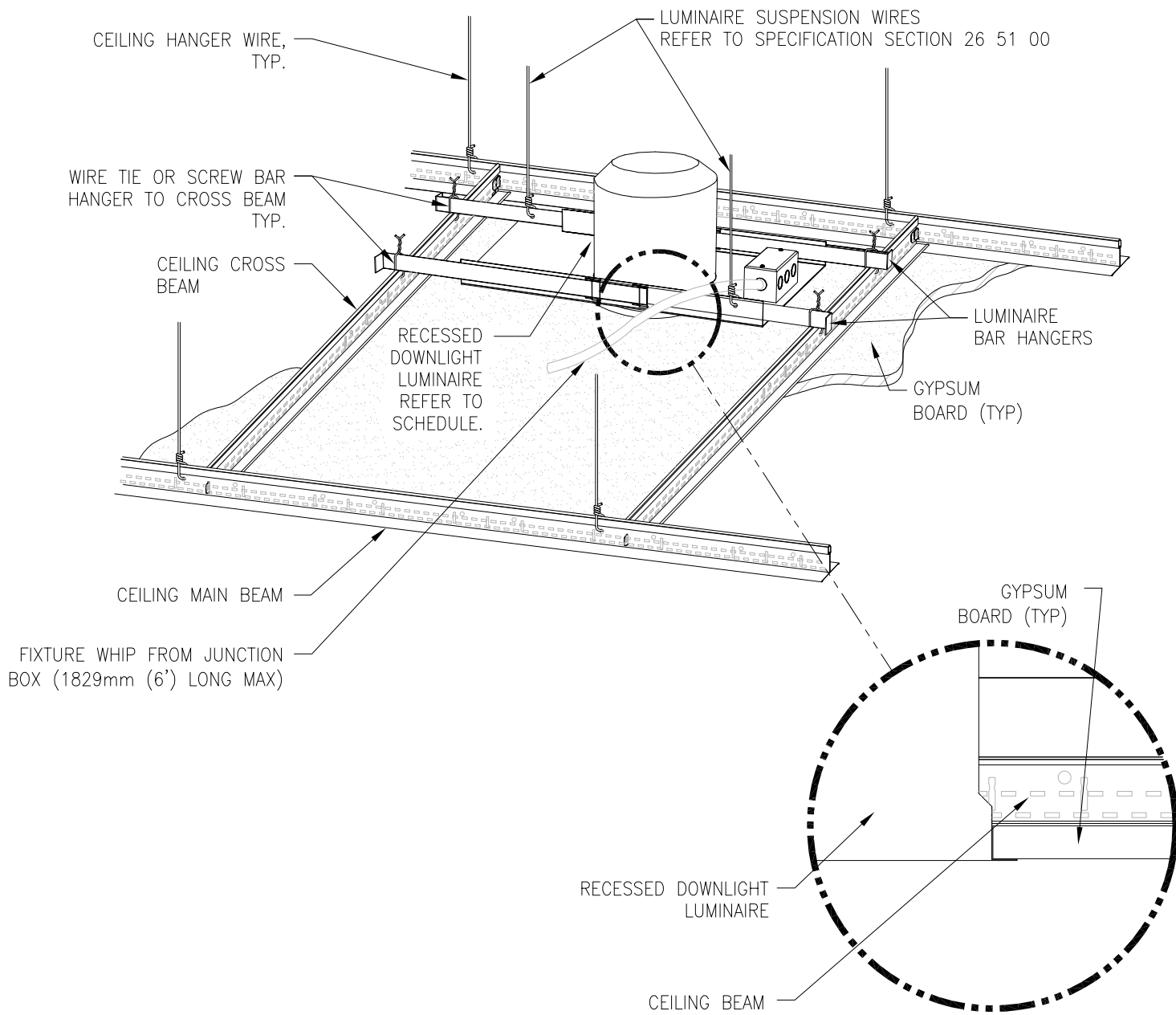
DETAIL TITLE / LUMINAIRE MOUNTING - LAY-IN CEILING

SCALE: NONE

DATE ISSUED: JULY 1, 2020

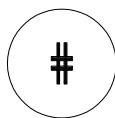
CAD DETAIL NO.:

SD265100-02 DWG



GENERAL NOTE:

1. INSTALL IN ACCORDANCE WITH MANUFACTURER'S MOUNTING INSTRUCTIONS AND USING THE RECOMMENDED MOUNTING HARDWARE.



DOWNLIGHT MOUNTING - GYPBOARD CEILING

NTS

VA



U.S. Department
of Veterans Affairs

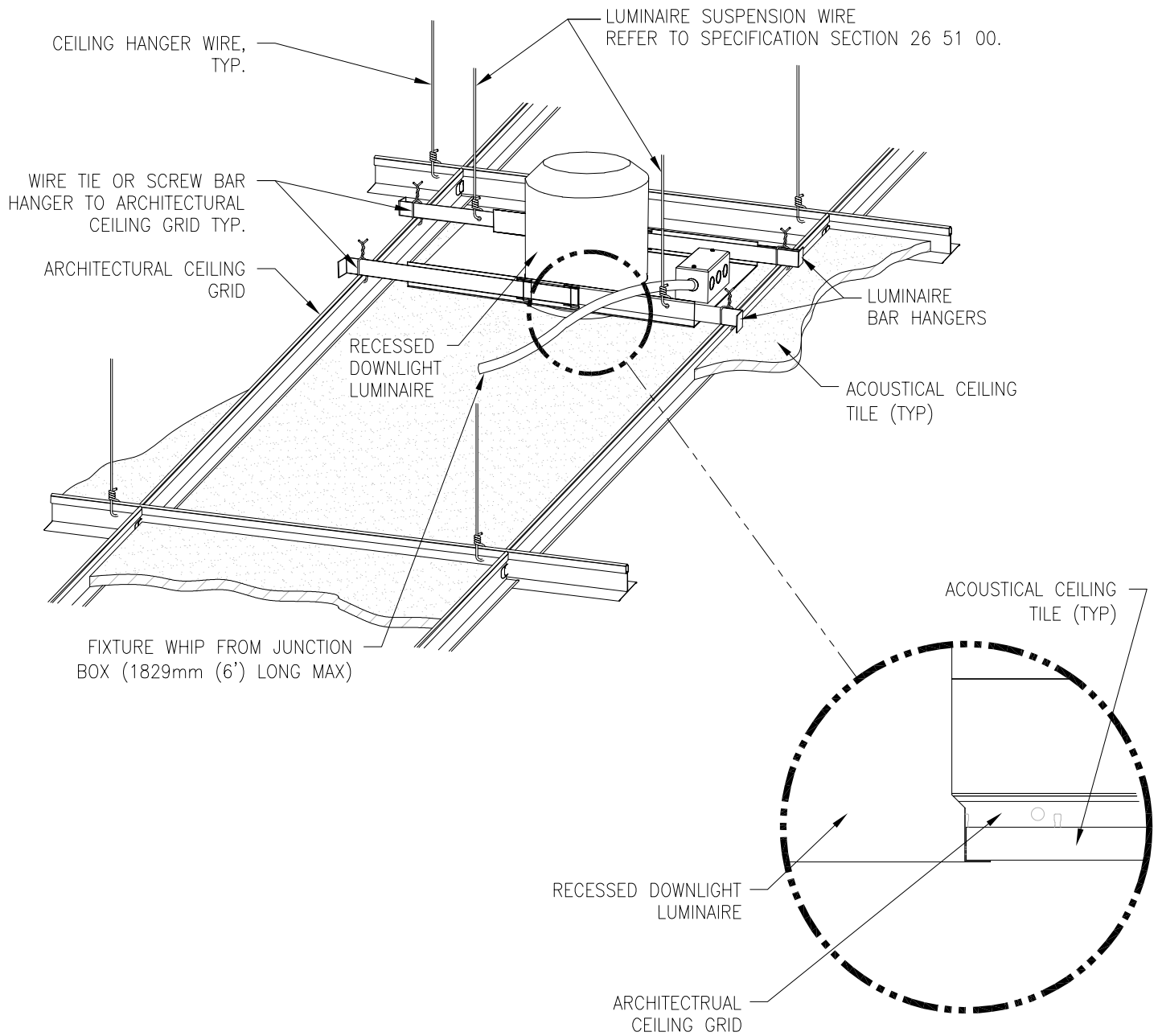
DETAIL TITLE / DOWNLIGHT MOUNTING - GYP BOARD CEILING

SCALE: NONE

DATE ISSUED: JULY 1, 2020

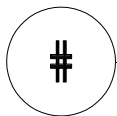
CAD DETAIL NO.:

SD265100-03DWG



GENERAL NOTE:

1. INSTALL IN ACCORDANCE WITH MANUFACTURER'S MOUNTING INSTRUCTIONS AND USING THE RECOMMENDED MOUNTING HARDWARE.



DOWNLIGHT MOUNTING - LAY-IN CEILING

NTS

VA



U.S. Department
of Veterans Affairs

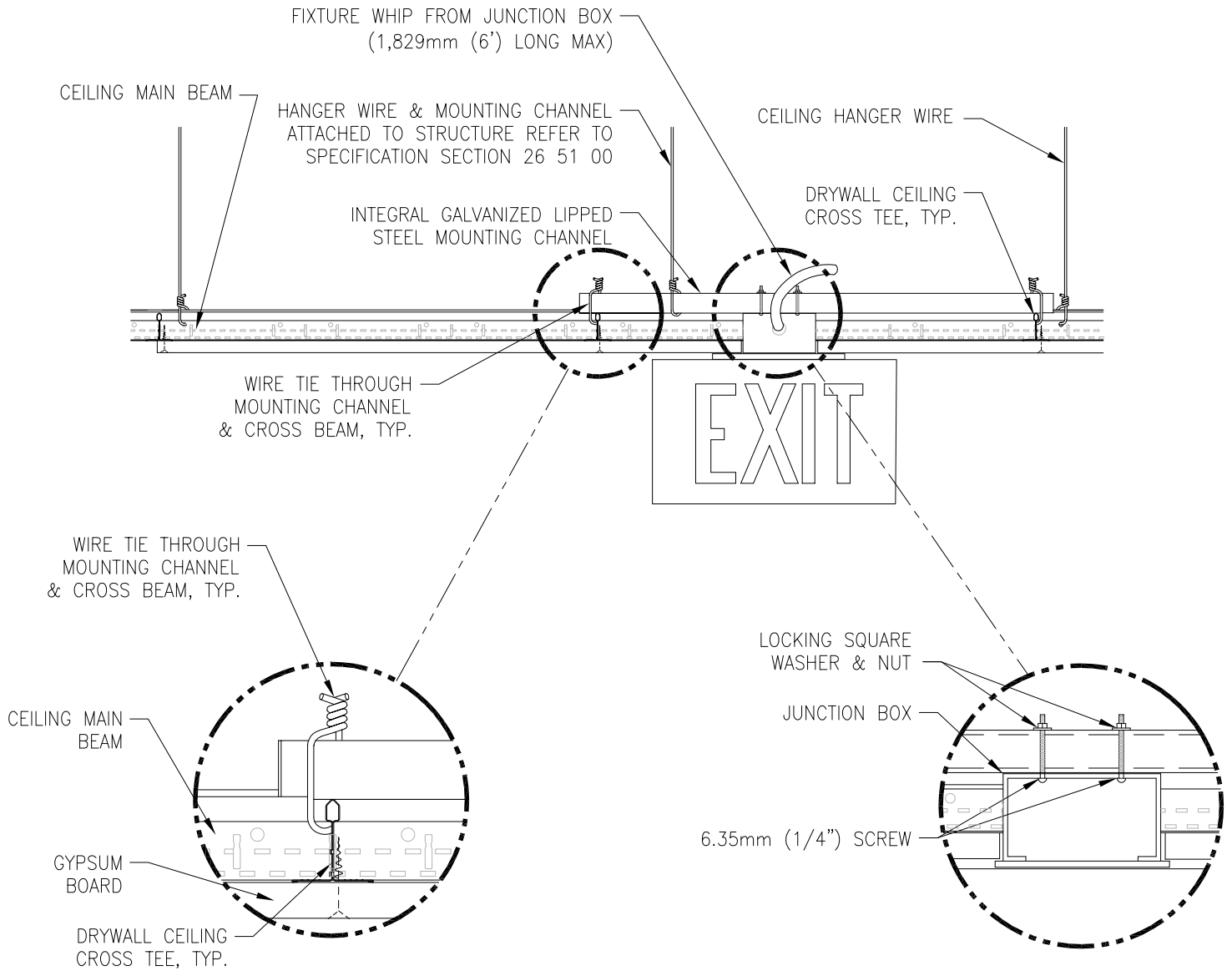
DETAIL TITLE / DOWNLIGHT MOUNTING - LAY-IN CEILING

SCALE: NONE

DATE ISSUED: JULY 1, 2020

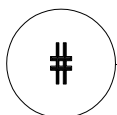
CAD DETAIL NO.:

SD265100-04 DWG



GENERAL NOTE:

1. INSTALL IN ACCORDANCE WITH MANUFACTURER'S MOUNTING INSTRUCTIONS AND USING THE RECOMMENDED MOUNTING HARDWARE.



EXIT SIGN MOUNTING - GYPBOARD CEILING

NTS

VA



U.S. Department
of Veterans Affairs

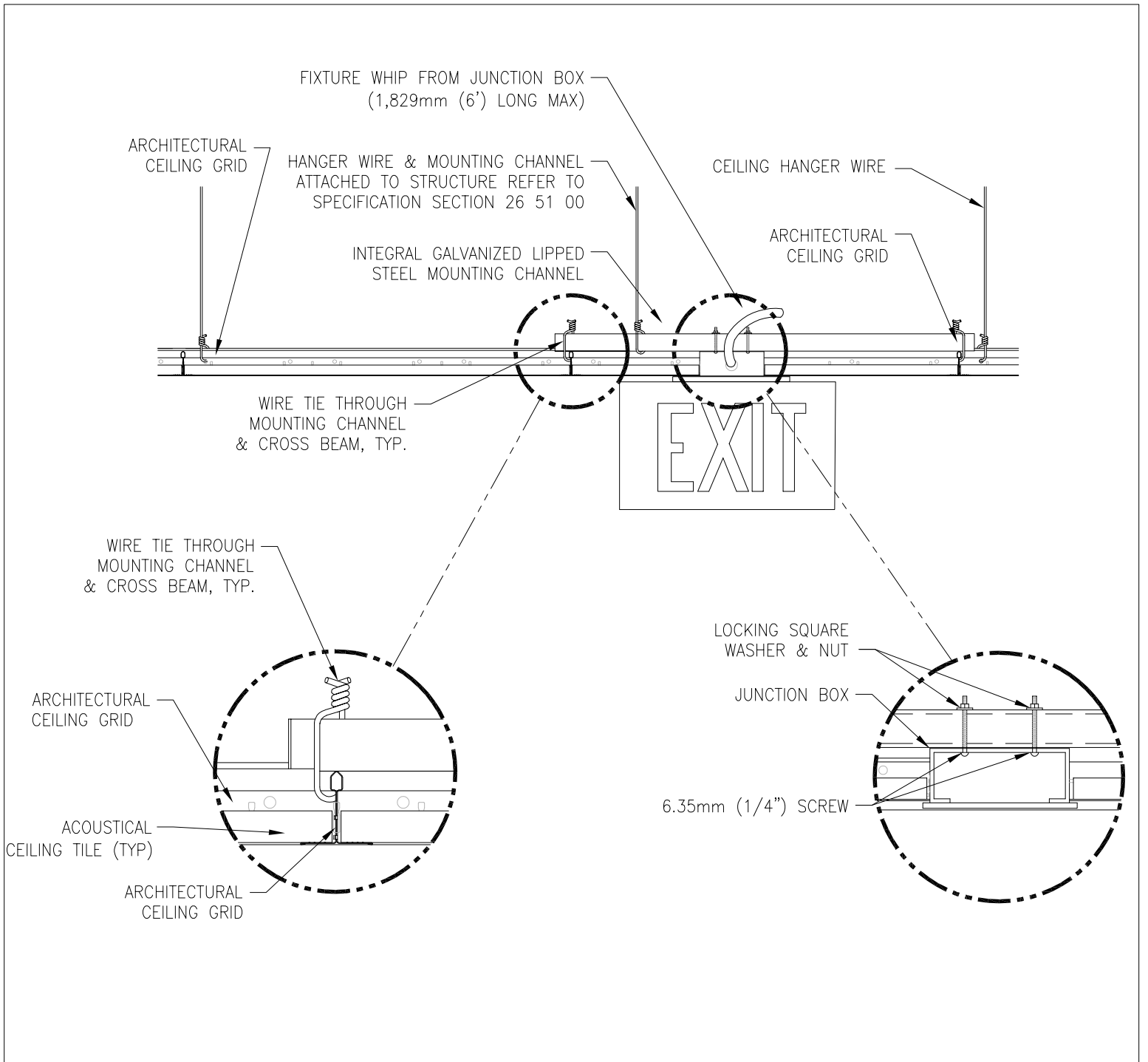
DETAIL TITLE / EXIT SIGN MOUNTING - GYPBOARD CEILING

SCALE: NONE

DATE ISSUED: JULY 1, 2020

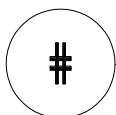
CAD DETAIL NO.:

SD265100-05 DWG



GENERAL NOTE:

1. INSTALL IN ACCORDANCE WITH MANUFACTURER'S MOUNTING INSTRUCTIONS AND USING THE RECOMMENDED MOUNTING HARDWARE.



EXIT SIGN MOUNTING - LAY-IN CEILING

NTS

VA



U.S. Department
of Veterans Affairs

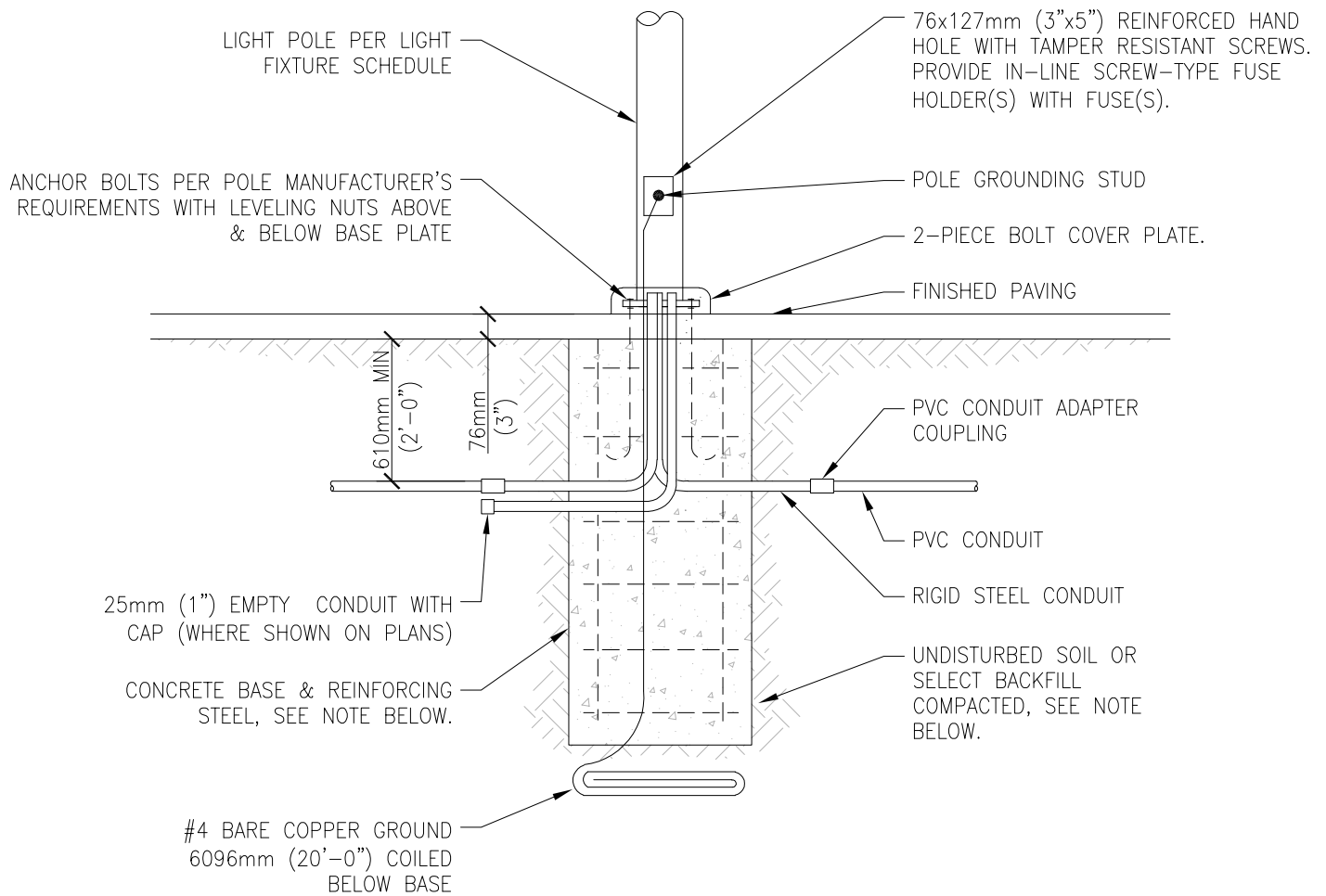
DETAIL TITLE / EXIT SIGN MOUNTING - LAY-IN CEILING

SCALE: NONE

DATE ISSUED: JULY 1, 2020

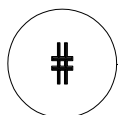
CAD DETAIL NO.:

SD265100-06 DWG



GENERAL NOTES:

1. BACKFILL, CONCRETE, REINFORCING STEEL, & ANCHOR BOLTS ARE SHOWN FOR REFERENCE ONLY. STRUCTURAL DESIGN IS SHOWN ON STRUCTURAL DRAWINGS.
2. REFER TO SPECIFICATION SECTION 26 56 00 FOR MOUNTING & LEVELING REQUIREMENTS.
3. REFER TO LANDSCAPE DETAILS FOR INSTALLATION OF PAVERS & INTERFACE BETWEEN PAVERS AND POLE BASE.



POLE BASE DETAIL - PAVED AREAS

NTS

VA



U.S. Department
of Veterans Affairs

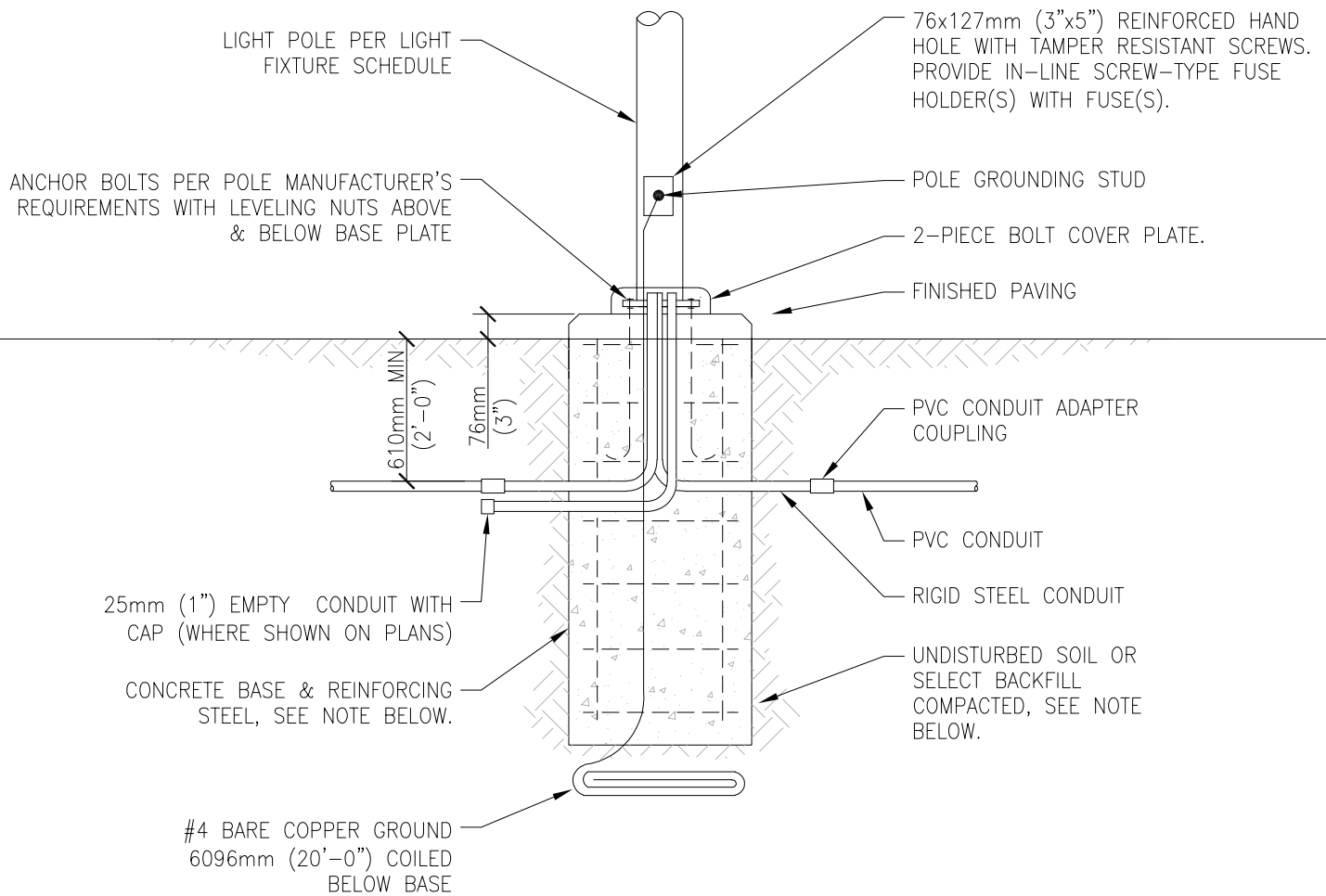
DETAIL TITLE / POLE BASE DETAIL - PAVED AREAS

SCALE: NONE

DATE ISSUED: JULY 1, 2020

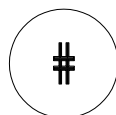
CAD DETAIL NO.:

SD265600-01 DWG



GENERAL NOTES:

1. BACKFILL, CONCRETE, REINFORCING STEEL, & ANCHOR BOLTS ARE SHOWN FOR REFERENCE ONLY. STRUCTURAL DESIGN IS SHOWN ON STRUCTURAL DRAWINGS.
2. REFER TO SPECIFICATION SECTION 26 56 00 FOR MOUNTING & LEVELING REQUIREMENTS.



POLE BASE DETAIL - TURF AREAS

NTS

VA



U.S. Department
of Veterans Affairs

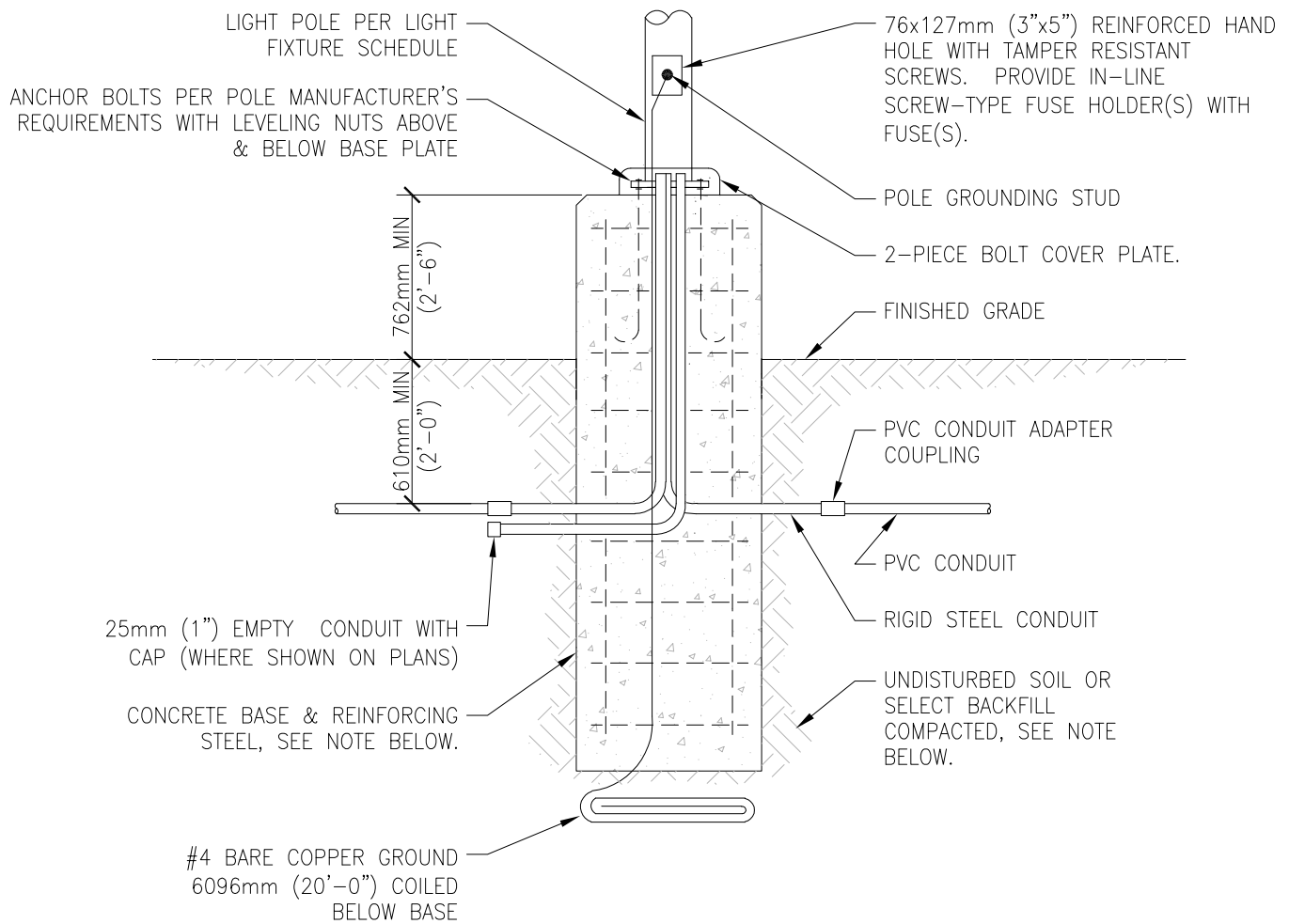
DETAIL TITLE / POLE BASE DETAIL - TURF AREAS

SCALE: NONE

DATE ISSUED: JULY 1, 2020

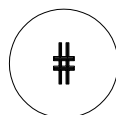
CAD DETAIL NO.:

SD265600-02 DWG



GENERAL NOTES:

1. BACKFILL, CONCRETE, REINFORCING STEEL, & ANCHOR BOLTS ARE SHOWN FOR REFERENCE ONLY. STRUCTURAL DESIGN IS SHOWN ON STRUCTURAL DRAWINGS.
2. REFER TO SPECIFICATION SECTION 26 56 00 FOR MOUNTING & LEVELING REQUIREMENTS.



POLE BASE DETAIL - TURF AREAS

NTS

VA



U.S. Department
of Veterans Affairs

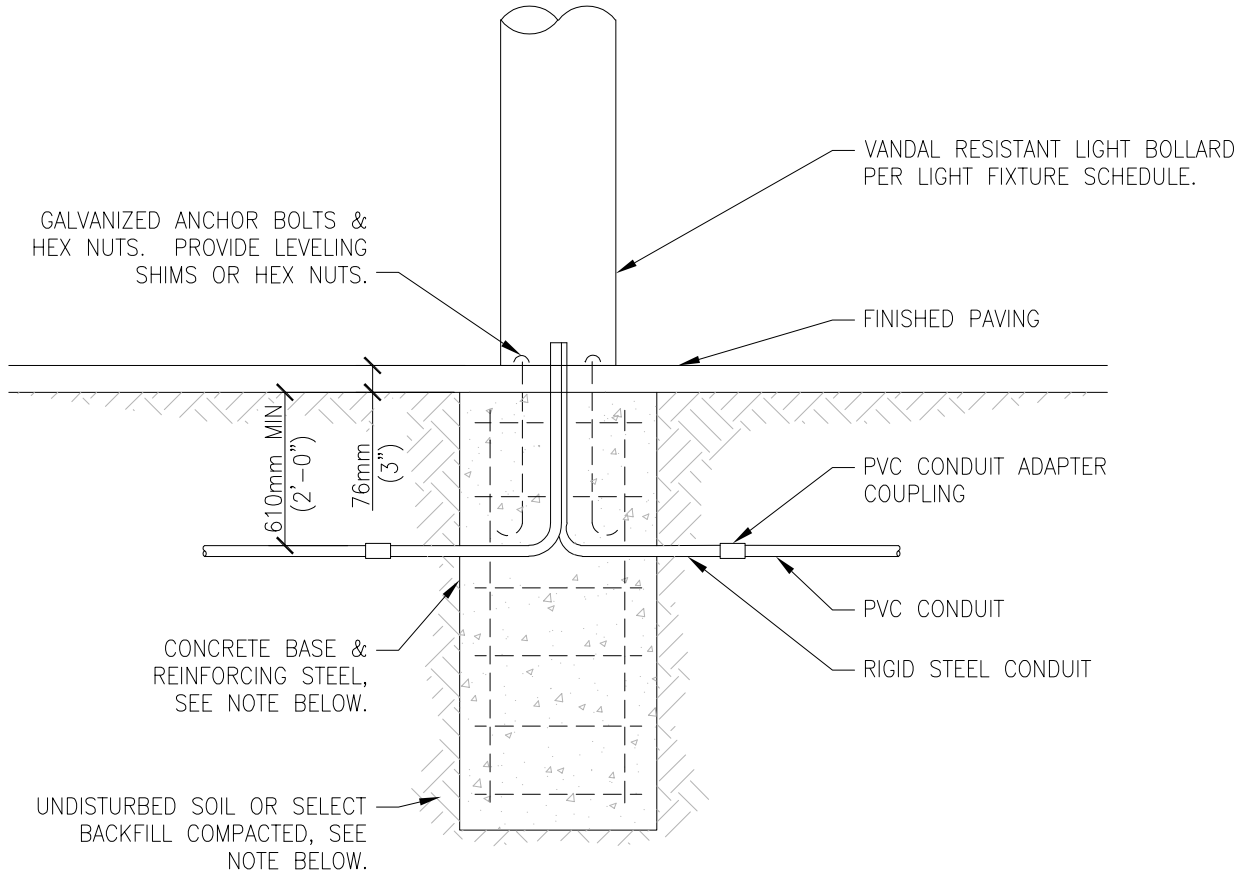
DETAIL TITLE / POLE BASE DETAIL - TURF AREAS

SCALE: NONE

DATE ISSUED: JULY 1, 2020

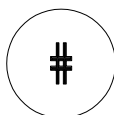
CAD DETAIL NO.:

SD265600-03 DWG



GENERAL NOTES:

1. BACKFILL, CONCRETE, REINFORCING STEEL, & ANCHOR BOLTS ARE SHOWN FOR REFERENCE ONLY. STRUCTURAL DESIGN IS SHOWN ON STRUCTURAL DRAWINGS.
2. REFER TO SPECIFICATION SECTION 26 56 00 FOR MOUNTING & LEVELING REQUIREMENTS.
3. REFER TO LANDSCAPE DETAILS FOR INSTALLATION OF PAVERS & INTERFACE BETWEEN PAVERS AND POLE BASE.



BOLLARD BASE DETAIL - PAVED AREAS

NTS

VA



U.S. Department
of Veterans Affairs

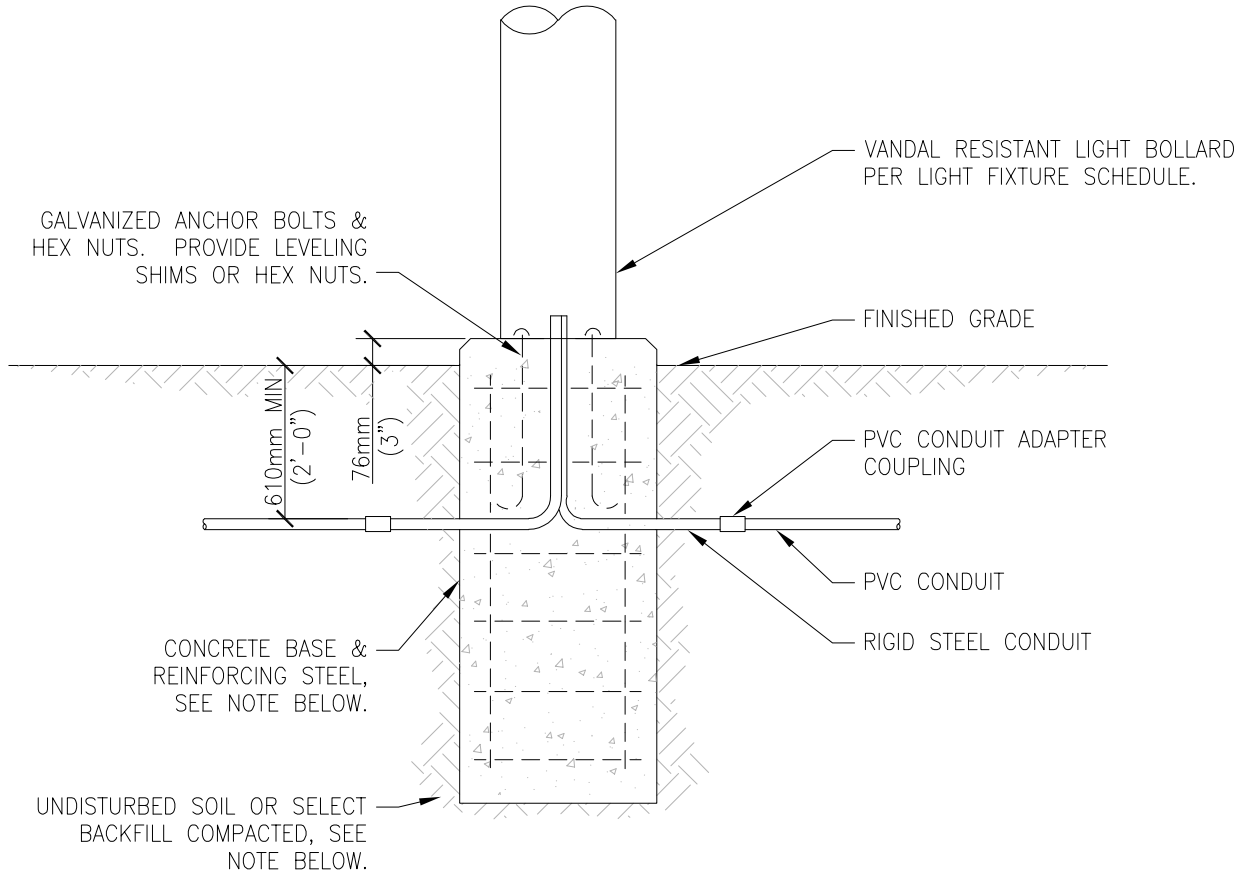
DETAIL TITLE / BOLLARD BASE DETAIL - PAVED AREAS

SCALE: NONE

DATE ISSUED: JULY 1, 2020

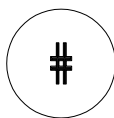
CAD DETAIL NO.:

SD265600-04 DWG



GENERAL NOTES:

1. BACKFILL, CONCRETE, REINFORCING STEEL, & ANCHOR BOLTS ARE SHOWN FOR REFERENCE ONLY. STRUCTURAL DESIGN IS SHOWN ON STRUCTURAL DRAWINGS.
2. REFER TO SPECIFICATION SECTION 26 56 00 FOR MOUNTING & LEVELING REQUIREMENTS.



BOLLARD BASE DETAIL - TURF AREAS

NTS



U.S. Department of Veterans Affairs

DETAIL TITLE / BOLLARD BASE DETAIL - TURF AREAS

SCALE: NONE

DATE ISSUED: JULY 1, 2020

CAD DETAIL NO.:

SD265600-05 DWG