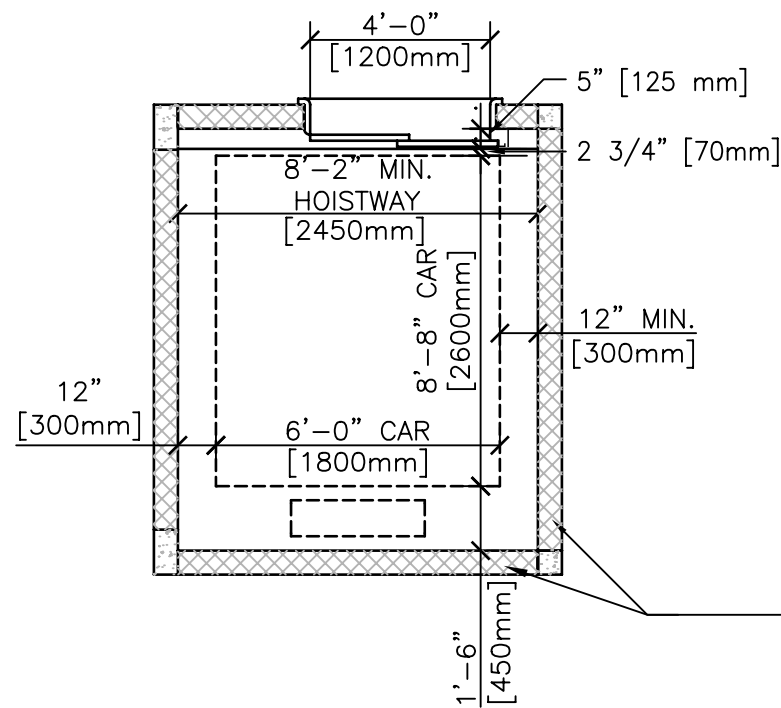


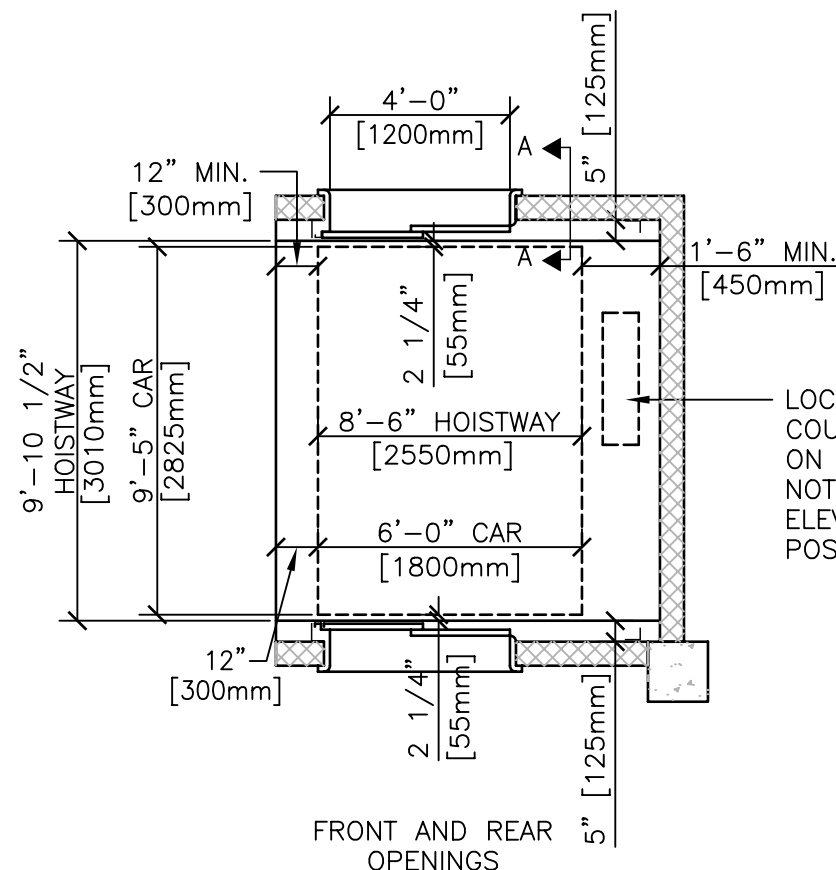
COUNTERWEIGHT ON SIDE OF PLATFORM

PLAN "A"



COUNTERWEIGHTS AT REAR OF PLATFORM

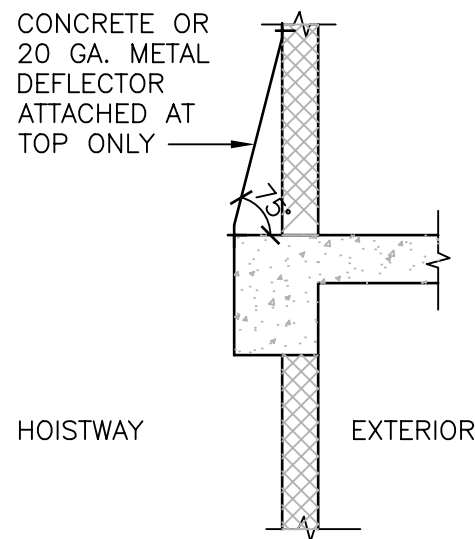
PLAN "B"



FRONT AND REAR OPENINGS

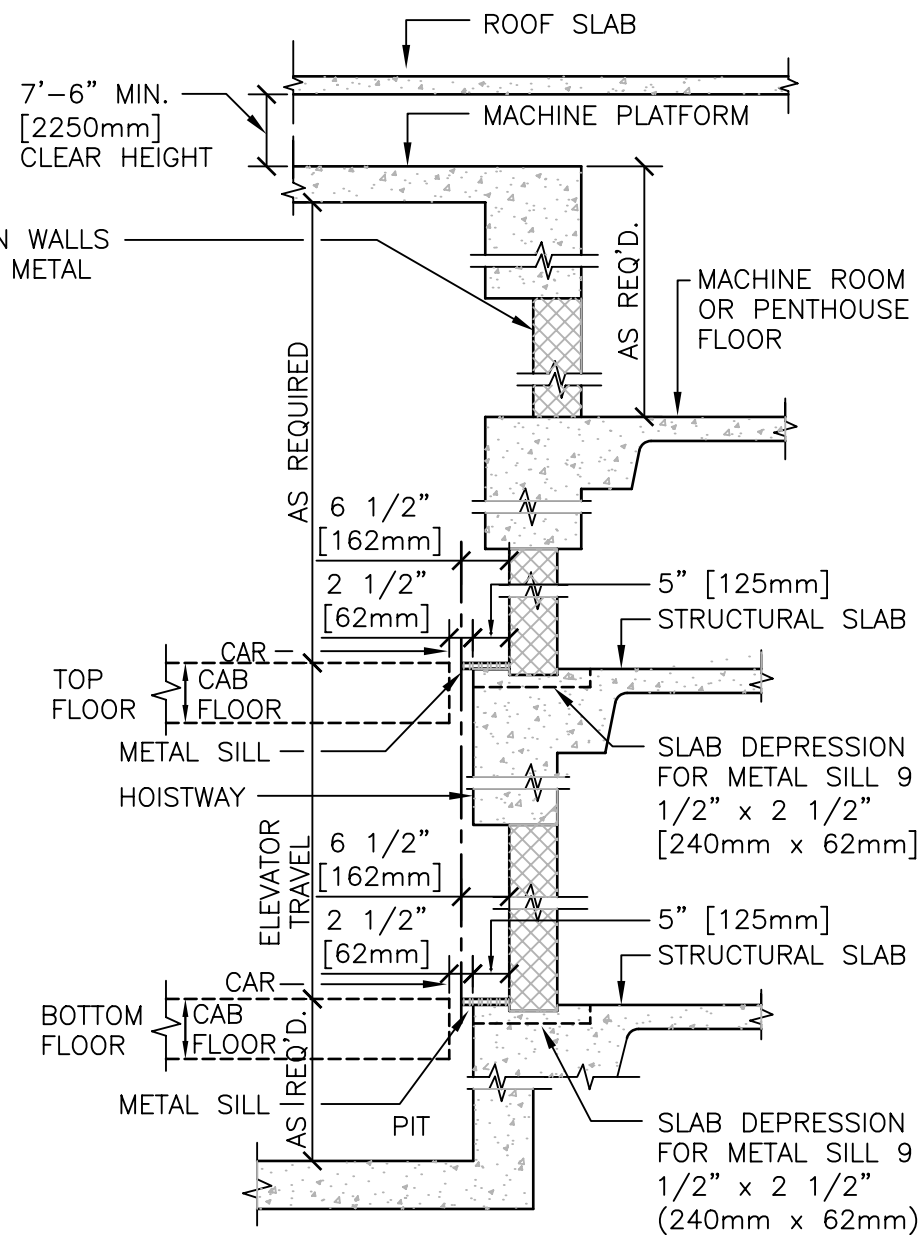
PLAN "C"

LOCATE SIDE COUNTERWEIGHTS ON OUTSIDE WALLS, NOT BETWEEN ELEVATORS WHEN POSSIBLE.



TOP DEFLECTOR FROM PROJECTING BEAM IN ELEVATOR HOISTWAYS

- NOTES:**
- COORDINATE WALL TYPE & FINISH WITH ARCHITECTURAL DRAWINGS.
 - SEE STRUCTURAL DRAWINGS FOR ACTUAL SIZE & LOCATION OF COLUMN, BEAMS AND SLAB.
 - SEE DETAIL 14 21 00-02 OR 14 21 00-08 FOR ENTRANCE DETAILS.



SECTION "A-A"

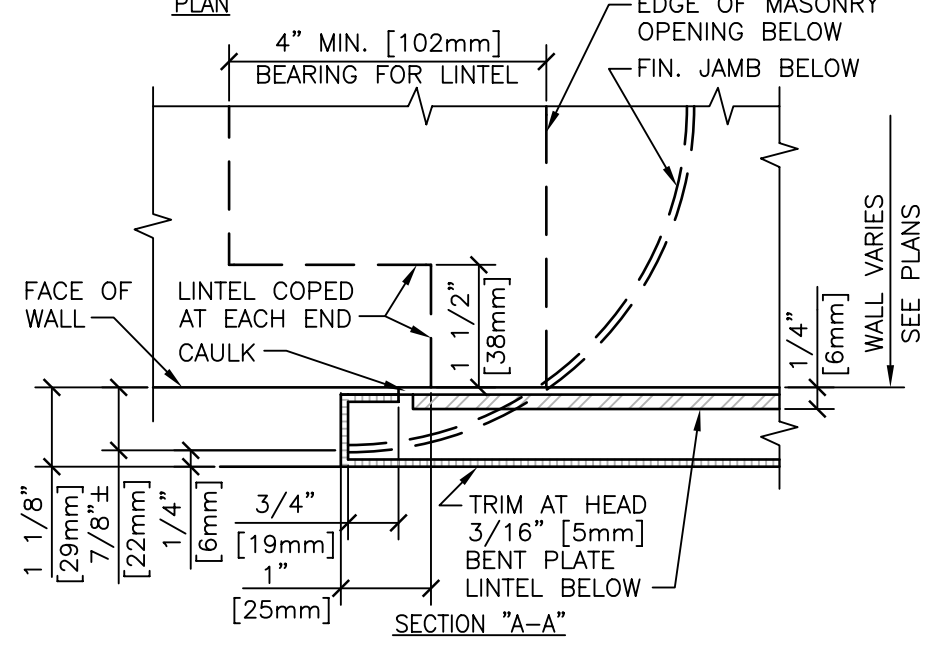
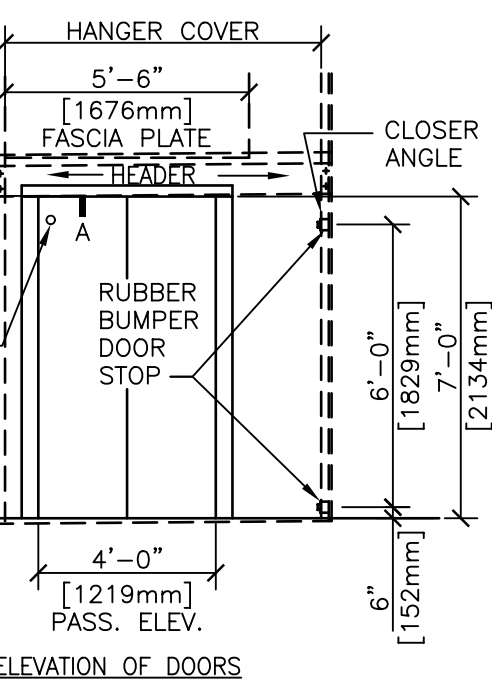
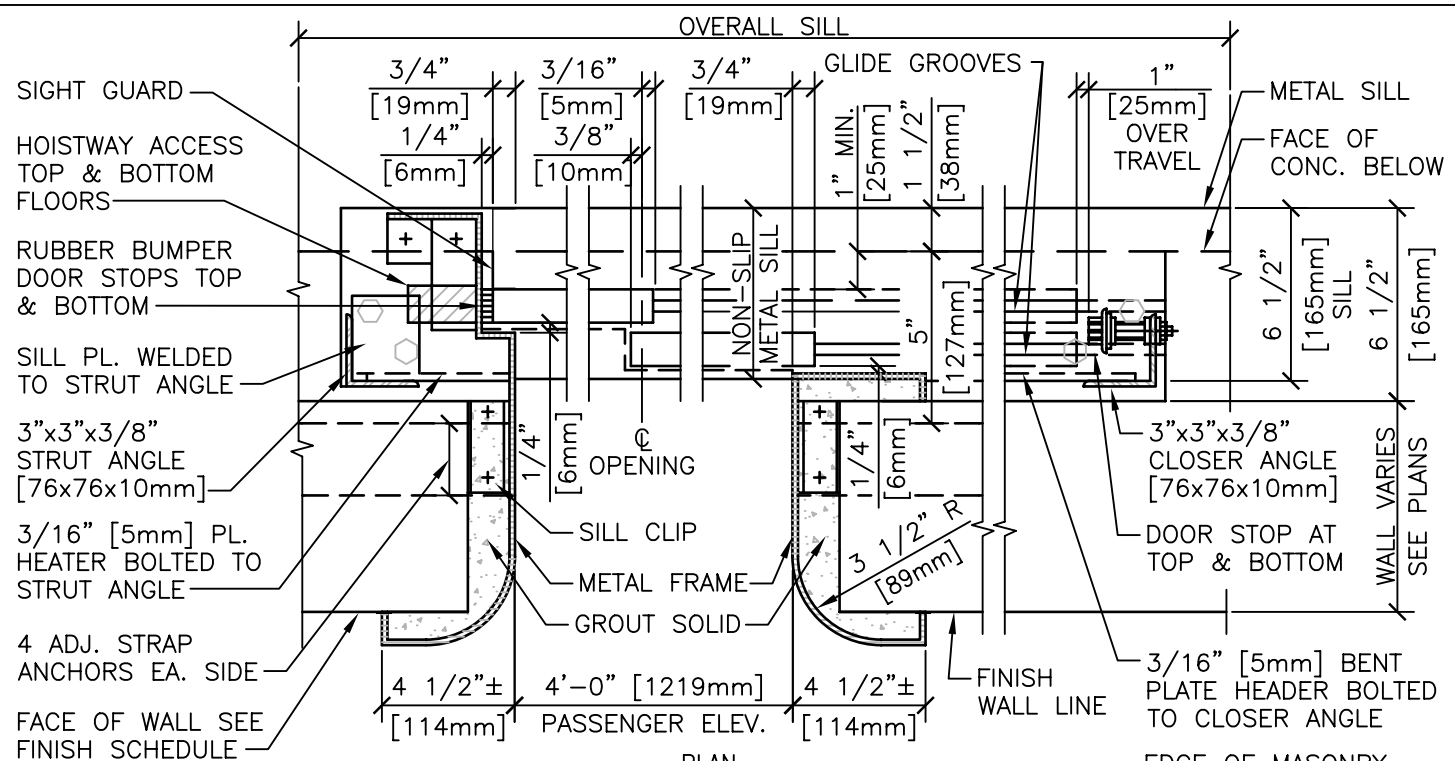
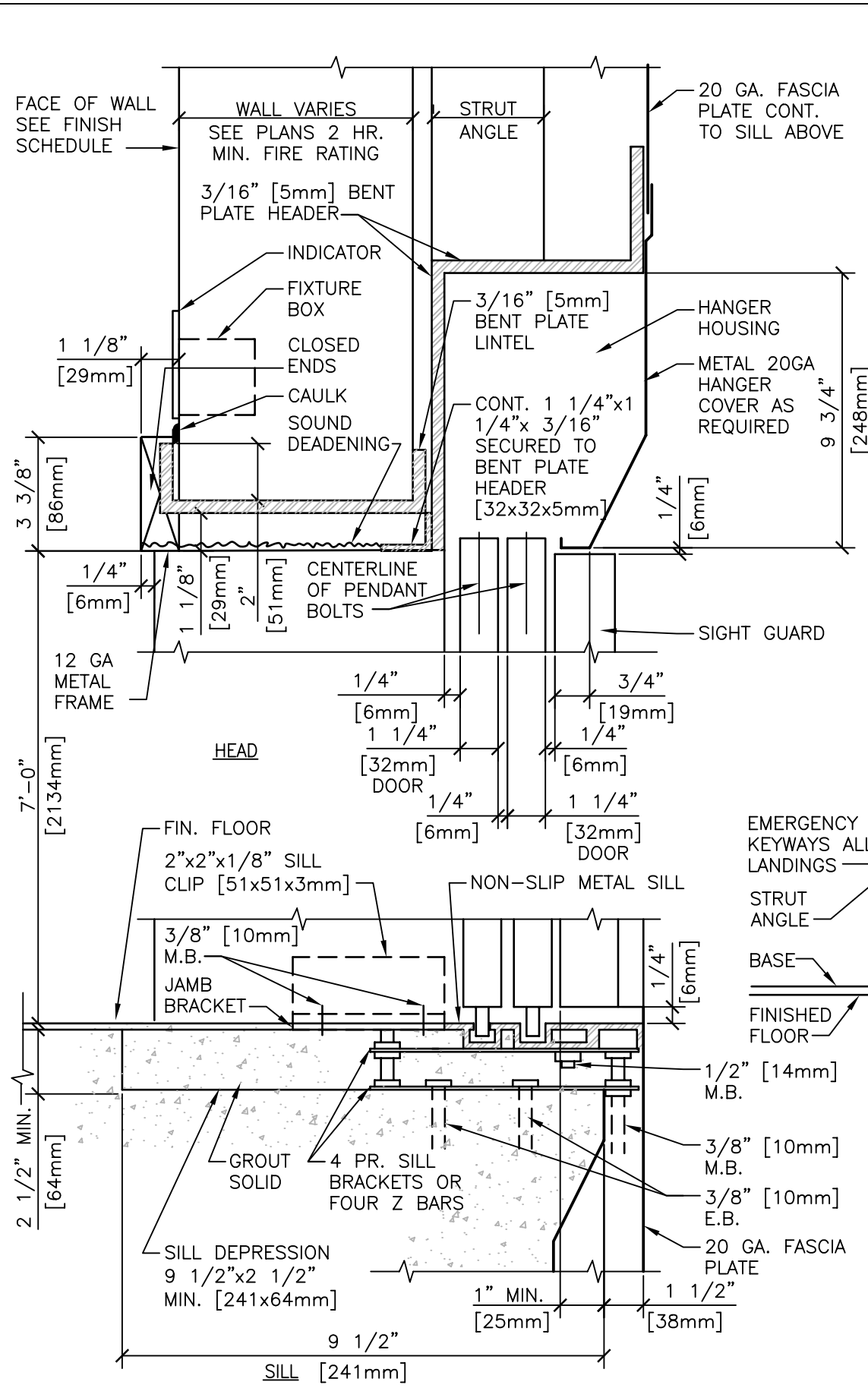
DETAIL TITLE / HOISTWAY DETAIL - ELEVATORS, PASSENGER
(TWO SPEED SLIDING DOORS)
4000 LB. CAPACITY

SCALE : NONE

DATE ISSUED : DECEMBER 2008

CADD DETAIL NO. : SD142100-01.DWG





- NOTES:**
1. HEAD AND JAMBS OF FINISHED FRAME SHALL BE SECURED TOGETHER WITH CONTINUOUS WELD.
 2. ALL METAL GAGES AND FINISHES OF FRAME AND DOORS AS SPECIFIED.
 3. FOR TOP FLOOR DUST COVER AND BOTTOM FLOOR TOE GUARD, SEE STANDARD DETAIL No. 14 21 00-03.
 4. DOORS MAY BE RIGHT OR LEFT HAND - ARCHITECT TO SPECIFY.

#

ENTRANCE DETAILS - SERVICE AND PASSENGER ELECTRIC TRACTION OR HYDRAULIC ELEVATOR

NTS (TWO SPEED SLIDING DOORS)

DETAIL TITLE / ENTRANCE DETAILS
SERVICE AND PASSENGER ELECTRIC TRACTION OR HYDRAULIC ELEVATOR
(TWO SPEED SLIDING DOORS)

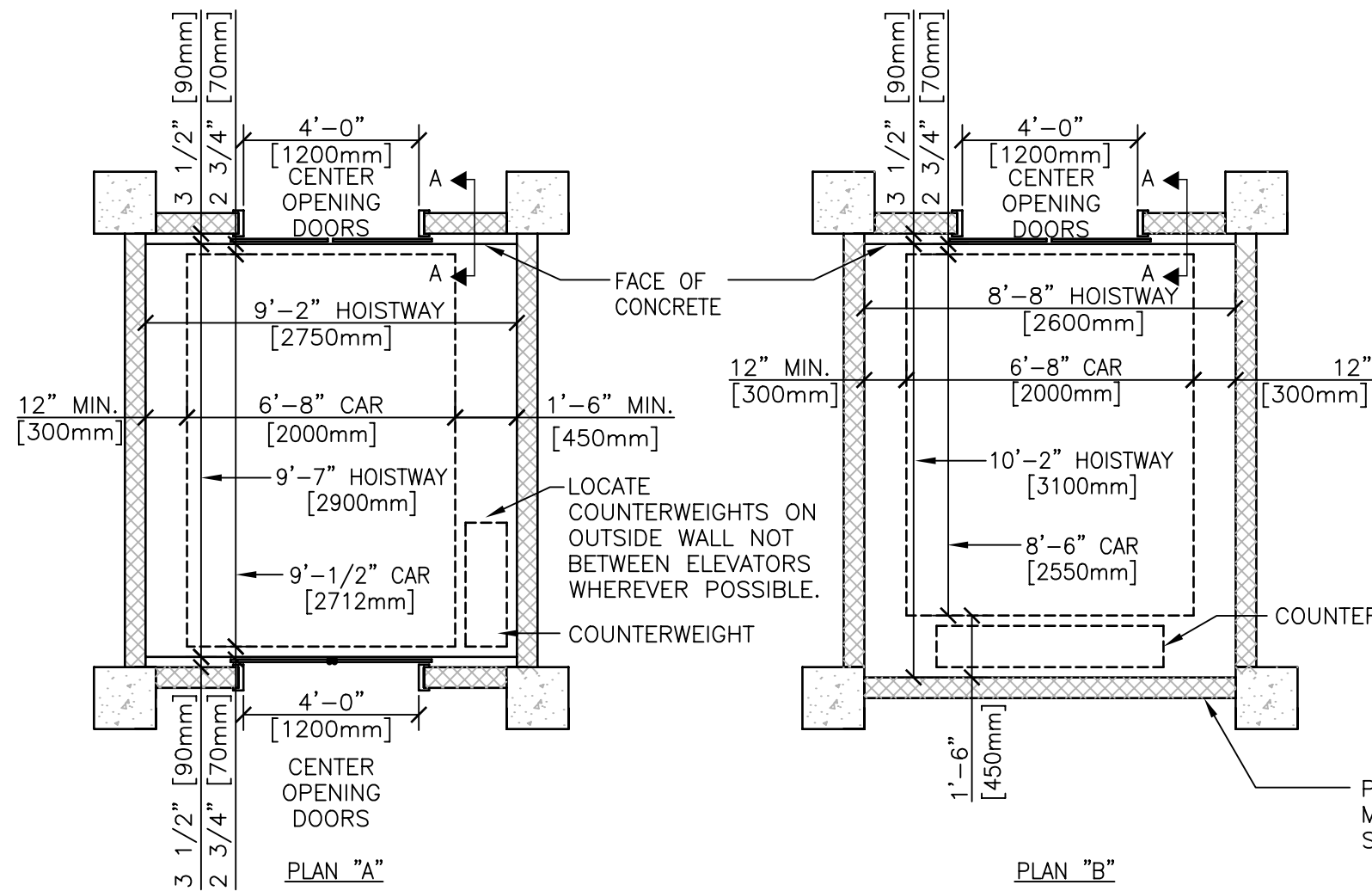
Department of
Veterans Affairs



SCALE : NONE

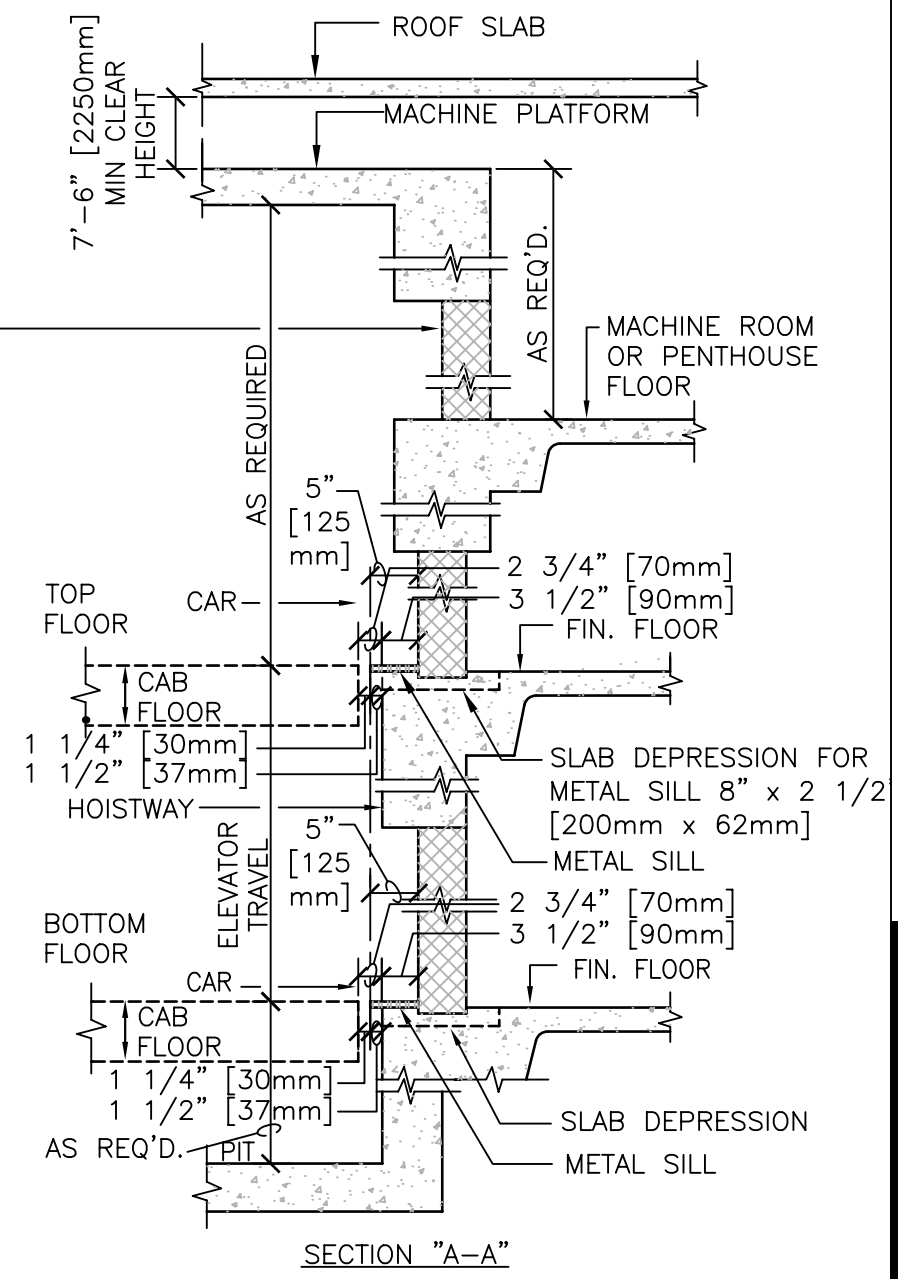
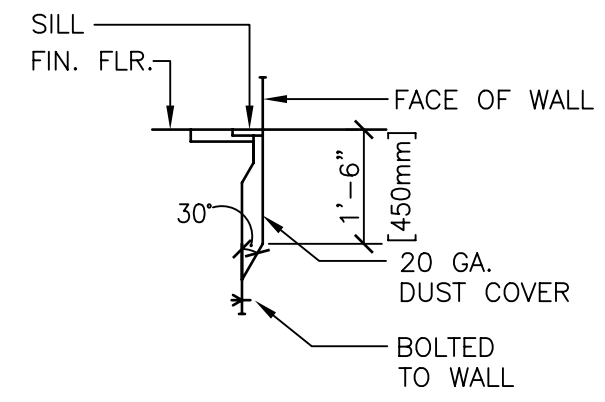
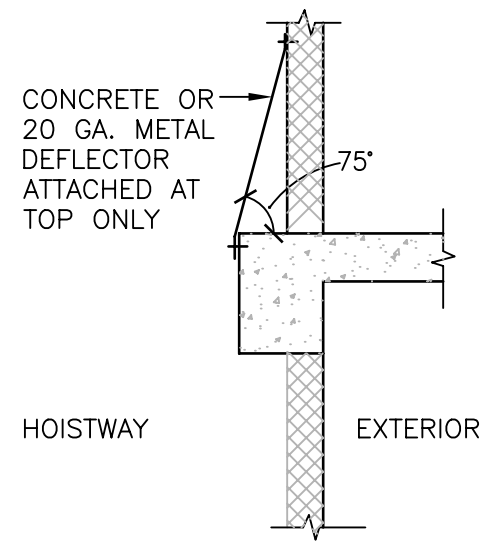
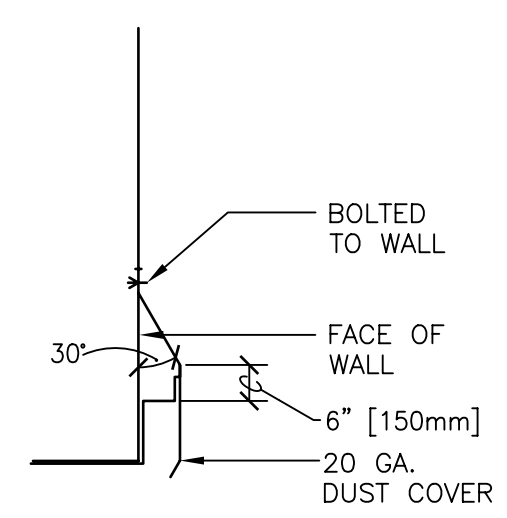
DATE ISSUED: DECEMBER 2008

CAD DETAIL NO.: SD142100-02.DWG



- NOTES:**
1. COORDINATE WALL TYPE AND FINISH WITH ARCHITECTURAL DRAWINGS.
 2. SEE STRUCTURAL DRAWINGS FOR ACTUAL SIZE AND LOCATION OF COLUMNS, BEAMS AND SLABS.
 3. SEE 14 21 00-04.DWG FOR DETAILS OF HORIZONTAL SLIDING CENTER OPENING DOORS.
 4. CONCRETE MACHINE ROOM FLOOR(S) NOT TO BE POURED UNTIL MACHINES ARE ON MACHINE BEAMS.
 5. MACHINE ROOM - APPROXIMATELY 225 SQ. FT. (21 SQ. M) PER MACHINE.
 6. TOP OF MACHINE BEAMS SHALL BE FLUSH WITH OR BELOW MACHINE ROOM FLOOR SLAB.

CAR WITH FRONT AND REAR ENTRANCES
NOTE: AVOID REAR ENTRANCE WHERE POSSIBLE.

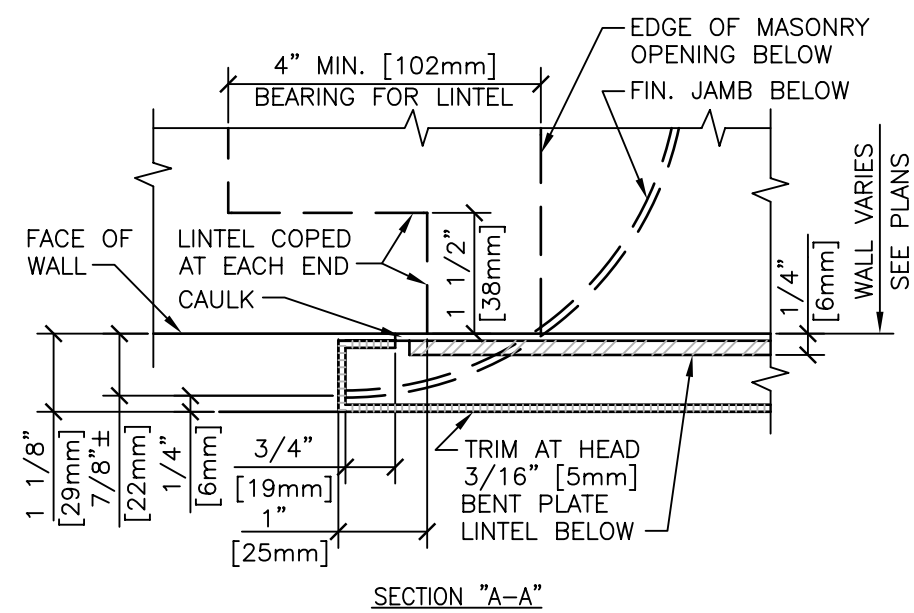
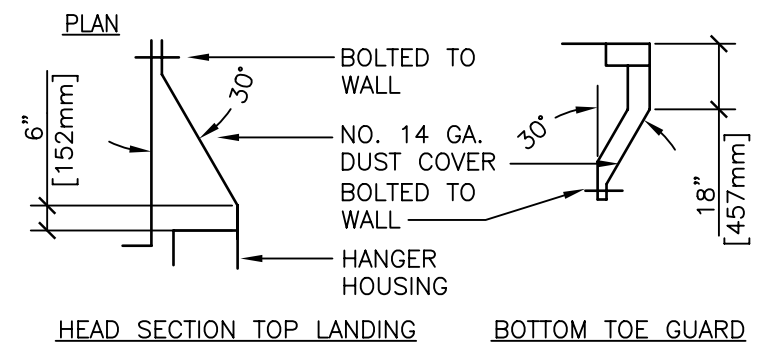
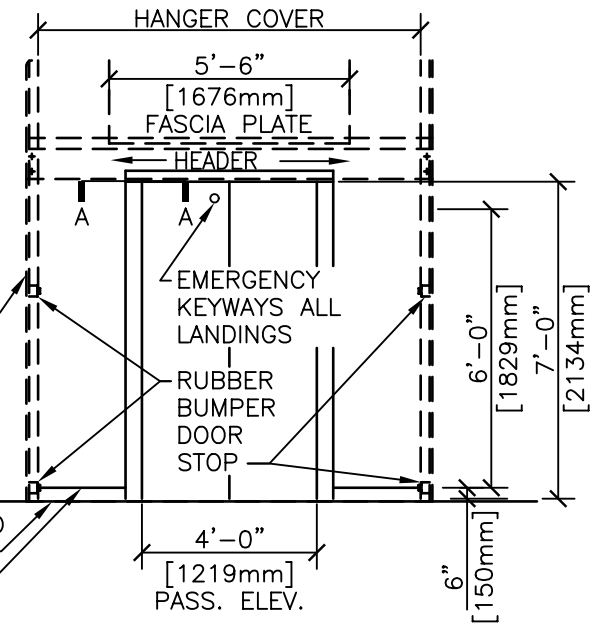
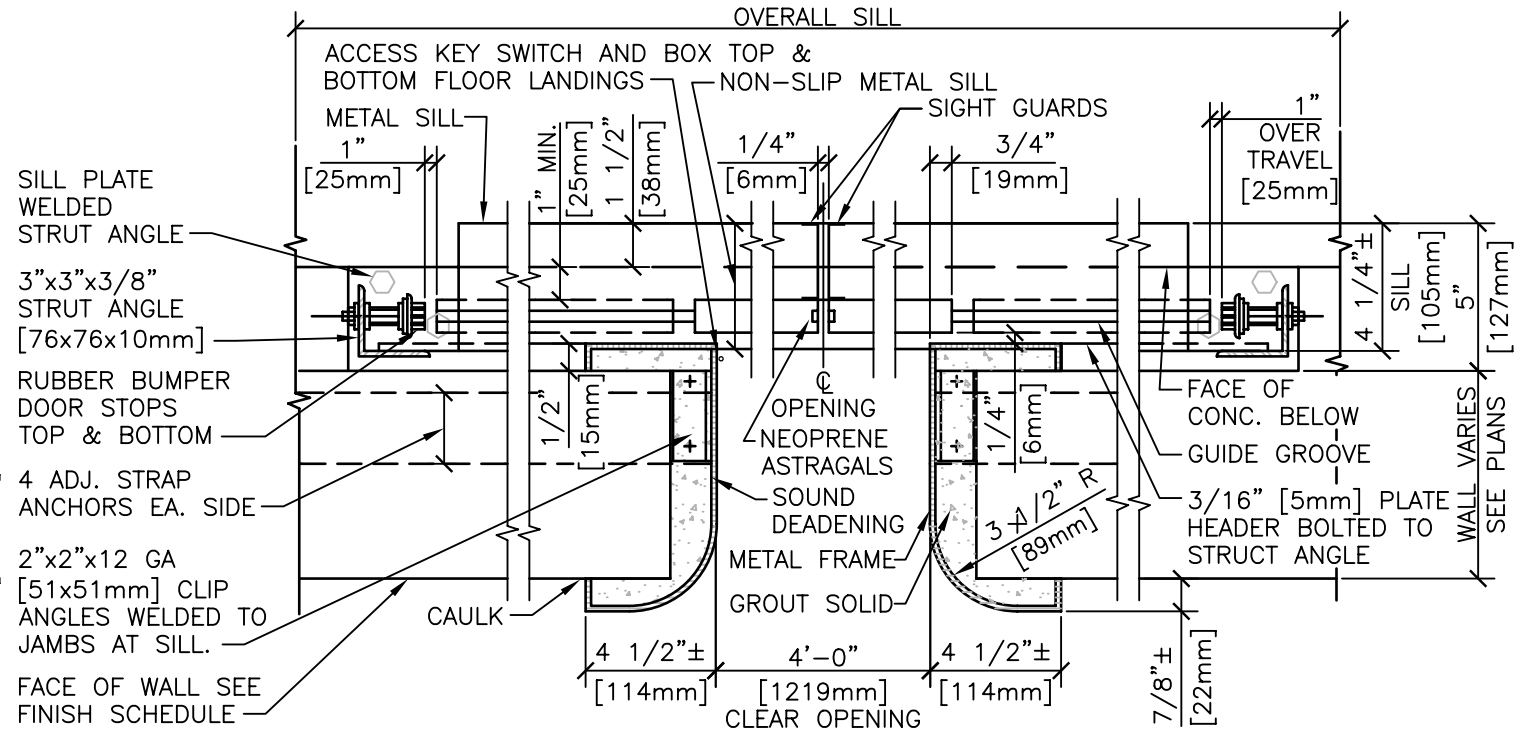
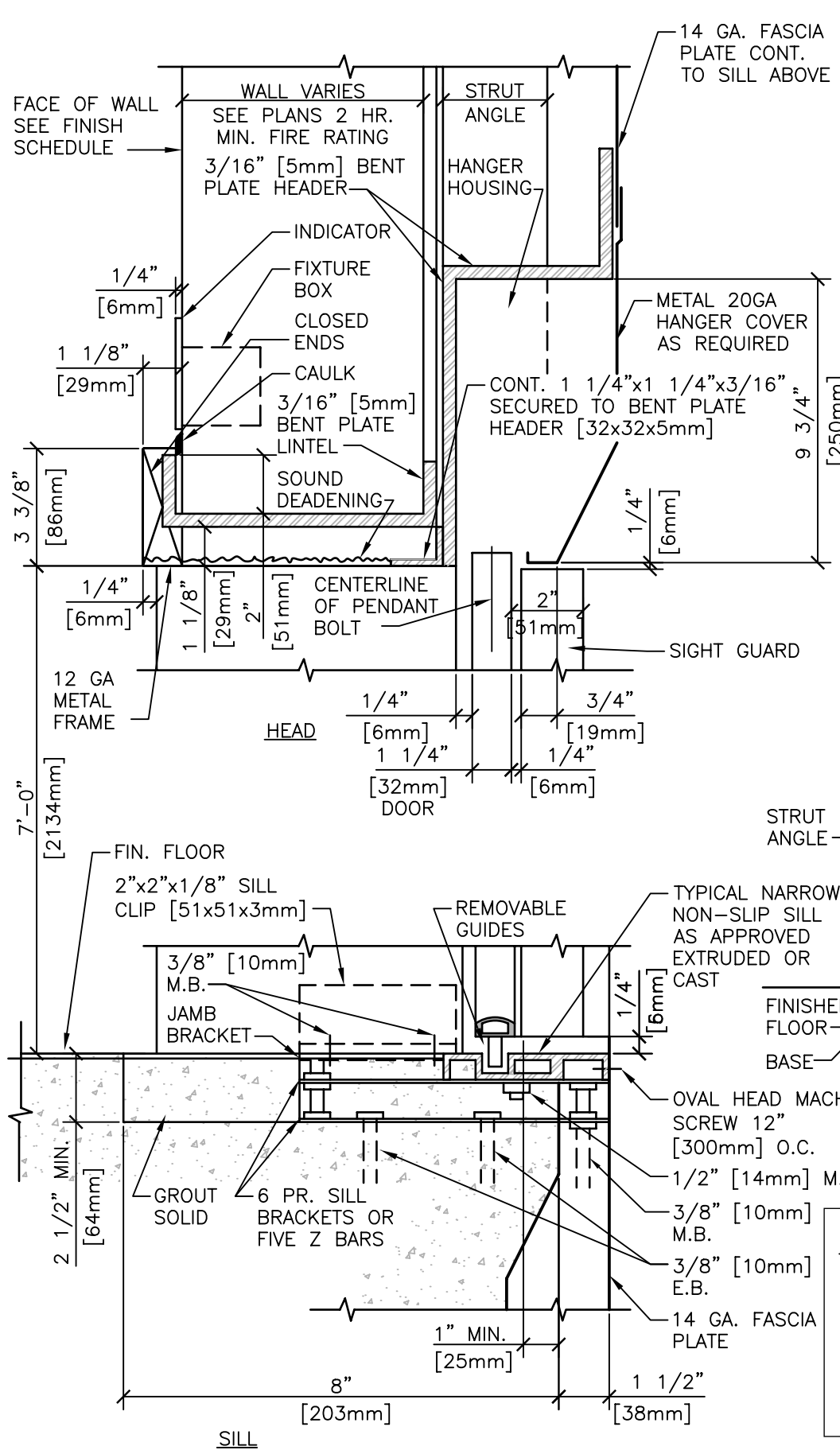


DETAIL TITLE / ELEVATOR, SERVICE
5000 LB. CAPACITY
(HORIZONTAL SLIDING CENTER OPENING DOORS)

SCALE : NONE

DATE ISSUED :DECEMBER 2008

CADD DETAIL NO. : SD142100-03.DWG



NOTES:

1. HEAD AND JAMBS OF FINISHED FRAME SHALL BE SECURED TOGETHER WITH CONTINUOUS WELD.
2. ALL METAL GAGES AND FINISHES OF FRAME AND DOORS AS SPECIFIED.

DETAIL TITLE / ENTRANCE DETAILS
 SERVICE AND PASSENGER ELECTRIC TRACTION OR HYDRAULIC ELEVATOR
 (HORIZONTAL SLIDING CENTER OPENING DOORS)

Department of
 Veterans Affairs

SCALE : NONE
 DATE ISSUED: DECEMBER 2008
 CAD DETAIL NO.: SD142100-04.DWG

ENTRANCE DETAILS - SERVICE AND PASSENGER ELECTRIC TRACTION OR HYDRAULIC ELEVATOR
 NTS (HORIZONTAL SLIDING CENTER OPENING DOORS)

SCHEDULE OF APPROXIMATE OVERHEAD HEIGHTS
AND PIT DEPTHS FOR 4000# [1840 kg]
CAPACITY PASSENGER ELEVATORS

OVERHEAD MACHINES

SPEEDS FT./MIN. (M/SEC)	TYPE OF MACHINE	DISTANCE FROM TOP OF LANDING TO FINISHED MACHINE ROOM FLOOR OR PLATFORM		DISTANCE FROM TOP OF FINISHED MACHINE ROOM FLOOR TO UNDERSIDE OF SECONDARY SLAB	PITS
		WITHOUT SECONDARY SLAB	WITH SECONDARY SLAB		
100 (0.5)	GEARED	16'-6" [5000mm]			5'-6" [1650mm]
150 (0.8)	GEARED	16'-6" [5000mm]			5'-6" [1650mm]
200 (1.0)	GEARED	16'-6" [5000mm]			5'-6" [1650mm]
250 (1.3)	GEARED	18'-0" [5450mm]			7'-0" [2100mm]
300 (1.5)	GEARED	18'-0" [5450mm]			7'-0" [2100mm]
350 (1.8)	GEARED	18'-6" [5600mm]			7'-0" [2100mm]
400 (2.0)	GEARLESS		24'-3" [7376mm]	6'-3" [1875mm]	8'-8" [2600mm]
450 (2.3)	GEARLESS		24'-3" [7376mm]	6'-3" [1875mm]	8'-8" [2600mm]
500 (2.5)	GEARLESS		25'-3" [7675mm]	6'-3" [1875mm]	10'-0" [3000mm]
600 (3.0)	GEARLESS		27'-0" [8200mm]	6'-3" [1875mm]	12'-6" [3800mm]
700 (3.5)	GEARLESS		28'-0" [8500mm]	6'-3" [1875mm]	12'-6" [3800mm]

CLEAR MACHINE ROOM WITHOUT TROLLEY BEAMS 7'-6" [2250mm] MIN.

CLEAR MACHINE ROOM WITH TROLLEY BEAMS 10'-0" [3000mm] MIN.

NOTES:

1. DIMENSIONS ARE FOR PRELIMINARY PLANNING ONLY. ELEVATOR ENGINEER SHOULD BE CONSULTED RELATIVE TO CLEARANCES REQUIRED FOR SPECIFIC PROJECTS.
2. GEARLESS HOISTING MACHINES SHALL BE CONSIDERED FOR RISES OF 100 FEET [30480mm] OR MORE.

DETAIL TITLE / ELEVATOR HOISTWAYS
4000 LB. CAPACITY PASSENGER
VERTICAL DIMENSIONS

SCALE : NONE

DATE ISSUED : FEBRUARY 2008

CADD DETAIL NO. : SD142100-05.DWG

Department of
Veterans Affairs



SCHEDULE OF APPROXIMATE
OVERHEAD HEIGHTS AND PIT DEPTHS
UP TO 5000# [2268 kg] CAPACITY
PASSENGER/SERVICE ELEVATORS

OVERHEAD MACHINES

SPEEDS FT./MIN. (M/SEC)	TYPE OF MACHINE	DISTANCE FROM TOP OF LANDING TO FINISHED MACHINE ROOM FLOOR OR PLATFORM		DISTANCE FROM TOP OF FINISHED MACHINE ROOM FLOOR TO UNDERSIDE OF SECONDARY SLAB	PITS
		WITHOUT SECONDARY SLAB	WITH SECONDARY SLAB		
100 (0.5)	GEARED	17'-0" [5150mm]			5'-6" [1650mm]
150 (0.8)	GEARED	17'-6" [5300mm]			5'-6" [1650mm]
200 (1.0)	GEARED	17'-6" [5300mm]			5'-8" [1700mm]
250 (1.3)	GEARED	18'-0" [5450mm]			6'-6" [1950mm]
300 (1.5)	GEARED	18'-0" [5450mm]			6'-6" [1950mm]
350 (1.8)	GEARED	18'-0" [5450mm]			6'-11" [2075mm]
400 (2.0)	GEARLESS		24'-3" [7375mm]	5'-3" [1575mm]	8'-8" [2600mm]
450 (2.3)	GEARLESS		24'-3" [7375mm]	6'-3" [1875mm]	8'-8" [2600mm]
500 (2.5)	GEARLESS		24'-6" [7450mm]	6'-3" [1875mm]	9'-6" [2850mm]
600 (3.0)	GEARLESS		25'-8" [7800mm]	6'-3" [1875mm]	10'-2" [3100mm]
700 (3.5)	GEARLESS		26'-10" [8150mm]	6'-3" [1875mm]	11'-2" [3400mm]

CLEAR MACHINE ROOM 7'-6" [2250mm].

NOTES:

1. DIMENSIONS ARE FOR PRELIMINARY PLANNING ONLY. ELEVATOR ENGINEER SHOULD BE CONSULTED RELATIVE TO CLEARANCES REQUIRED FOR SPECIFIC PROJECTS.
2. GEARLESS HOISTING MACHINES SHALL BE CONSIDERED FOR RISES OF 100 FEET [30480mm] OR MORE.

DETAIL TITLE / ELEVATOR HOISTWAYS 2000 LB. CAPACITY
PASSENGER/SERVICE ELEVATORS
VERTICAL DIMENSIONS

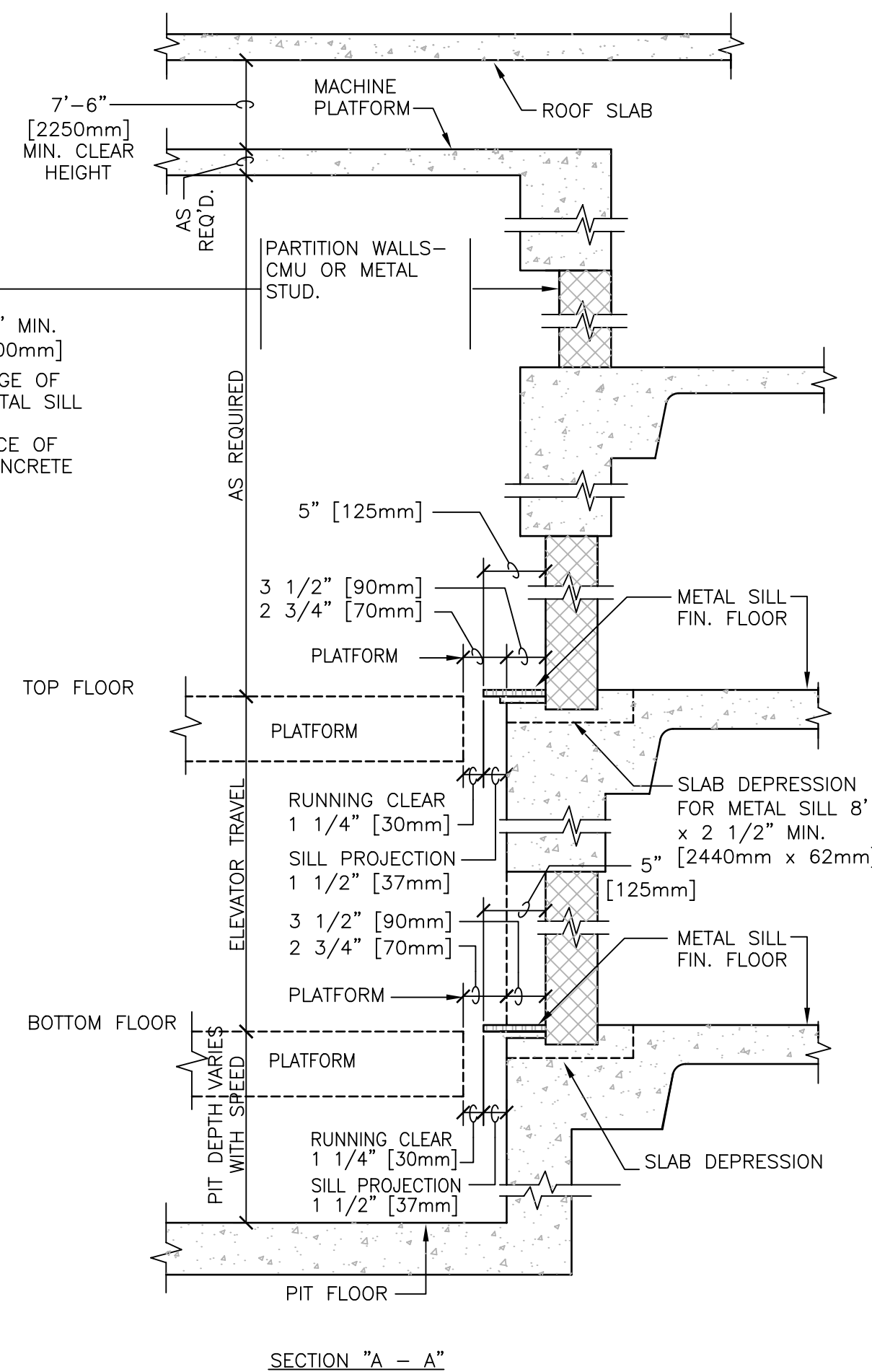
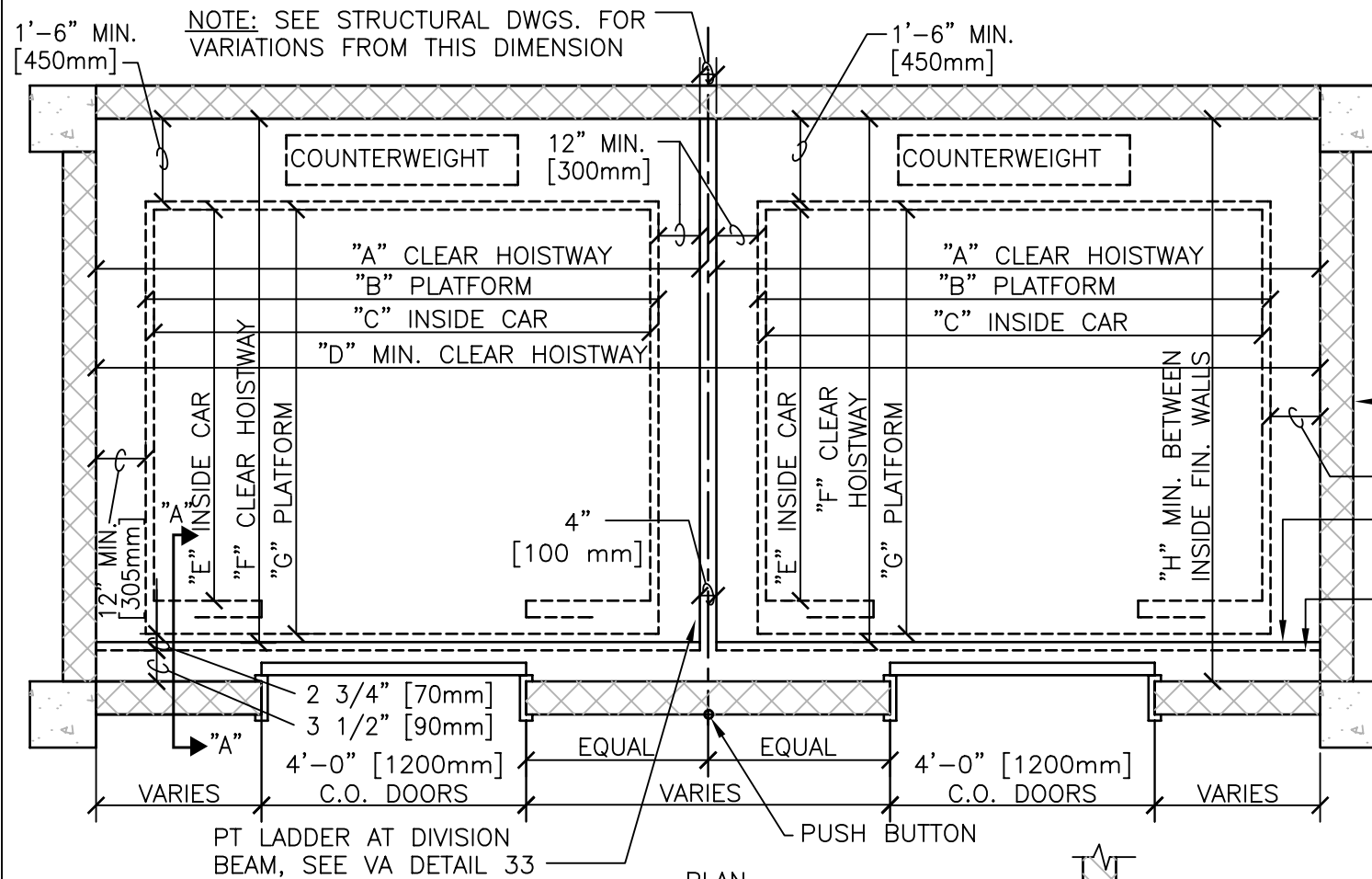
SCALE : NONE

DATE ISSUED : DECEMBER 2008

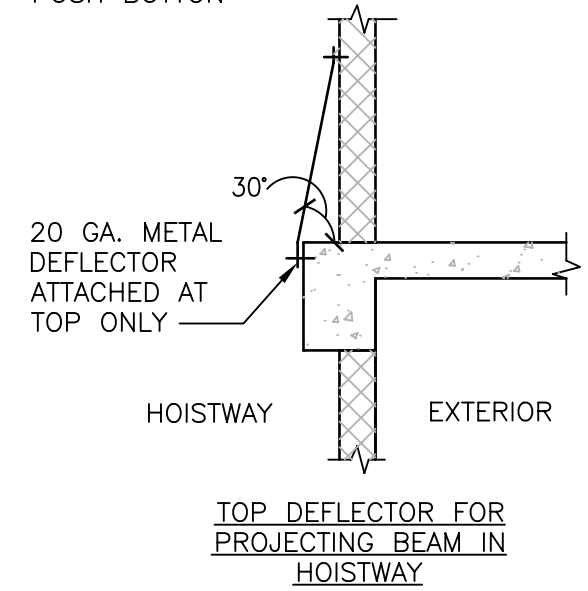
CADD DETAIL NO. : SD142100-06.DWG

Department of
Veterans Affairs





VARIABLE CAR DIMENSIONS		
	3500 LB. CAP. [1580 KG]	4000 LB. CAP. [1814 KG]
A	9'-10" [3000mm]	10'-0" [3050mm]
B	7'-10" [2350mm]	8'-0" [2400mm]
C	7'-6" [2250mm]	7'-8" [2300mm]
D	20'-0" [6000mm]	20'-4" [6200 mm]
E	4'-10 3/4" [1470mm]	5'-3 3/4" [1595mm]
F	7'-5 3/4" [2245mm]	7'-10 3/4" [2405mm]
G	5'-9" [1725mm]	6'-2" [1850mm]
H	7'-9 1/4" [2331mm]	8'-2 1/4" [2456mm]



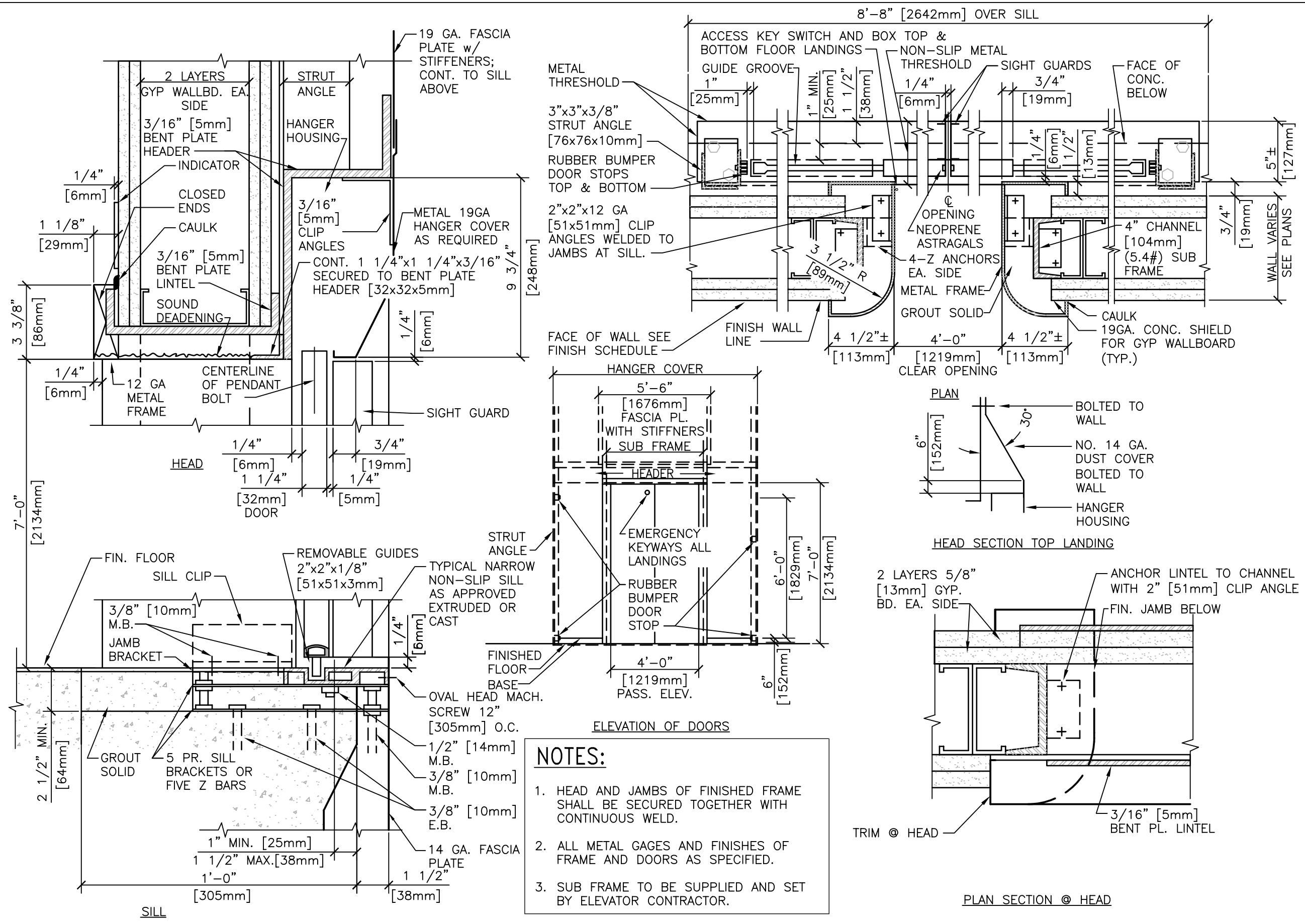
- NOTES:
- COORDINATE WALL TYPE AND FINISH.
 - COORDINATE ACTUAL SIZE AND LOCATION OF COLUMNS, BEAMS AND SLAB WITH STRUCTURAL.
 - SEE DRAWING NO. 14210-04.DWG FOR ENTRANCE DETAILS.
 - CONCRETE FLOOR(S) NOT TO BE POURED UNTIL MACHINES ARE IN PLACE.
 - MACHINE ROOM - APPROXIMATELY 225 SQ. FT. (21 SQ. M) PER MACHINE.
 - MACHINE BEAMS SHALL BE FLUSH OR BELOW MACHINE.

DETAIL TITLE / PASSENGER ELEVATOR
HORIZONTAL SLIDING CENTER OPENING DOORS

SCALE : NONE

DATE ISSUED :DECEMBER 2008

CADD DETAIL NO. SD142100-07.DWG



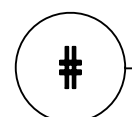
- NOTES:**
1. HEAD AND JAMBS OF FINISHED FRAME SHALL BE SECURED TOGETHER WITH CONTINUOUS WELD.
 2. ALL METAL GAGES AND FINISHES OF FRAME AND DOORS AS SPECIFIED.
 3. SUB FRAME TO BE SUPPLIED AND SET BY ELEVATOR CONTRACTOR.

DETAIL TITLE / ENTRANCE DETAILS
 SERVICE AND PASSENGER ELECTRIC TRACTION OR HYDRAULIC ELEVATOR
 (WITH DRYWALL SHAFT HORIZONTAL SLIDING CENTER OPENING DOORS)

SCALE : NONE

DATE ISSUED: DECEMBER 2008

CAD DETAIL NO.: SD142100-08.DWG

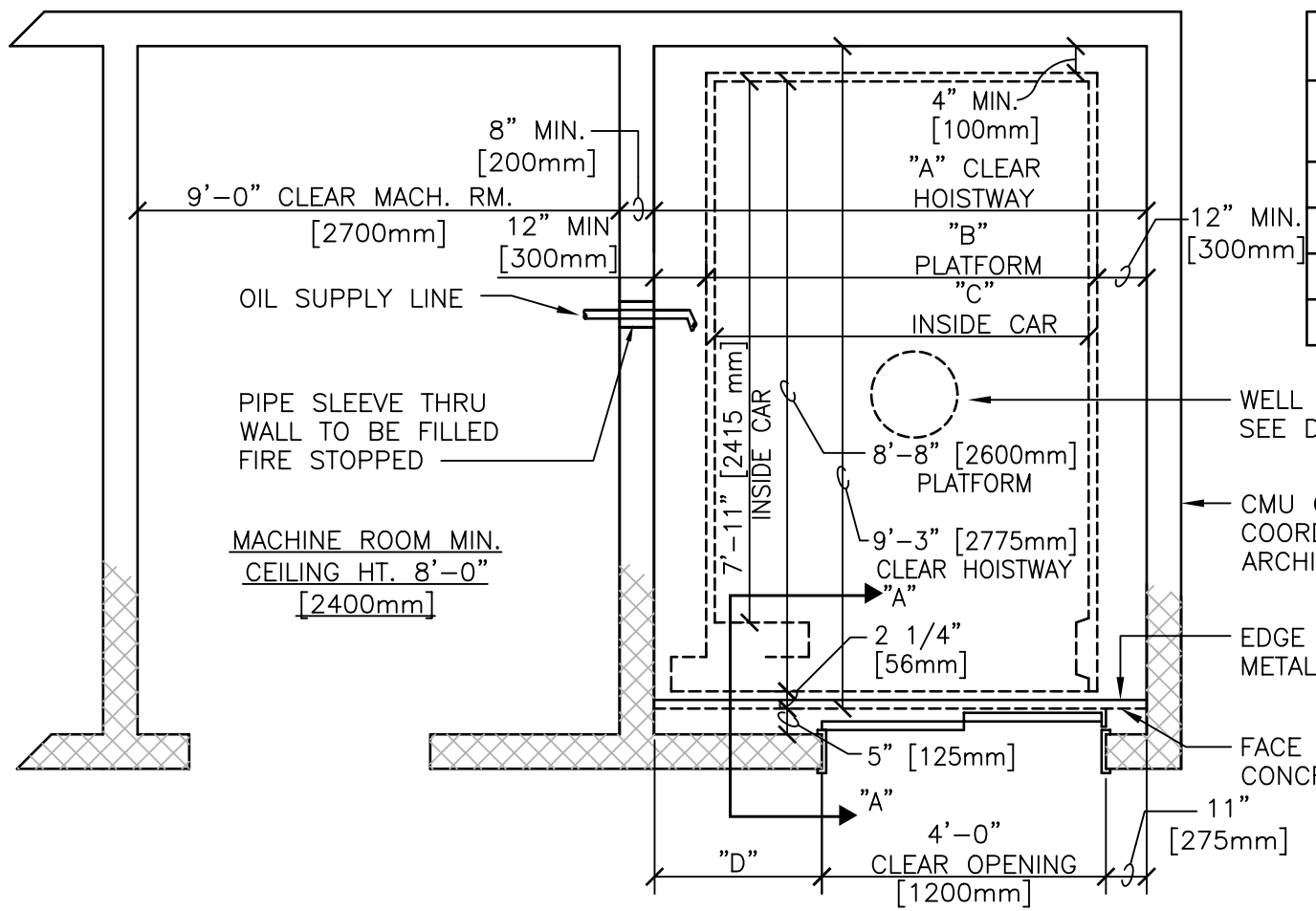


ENTRANCE DETAILS - SERVICE AND PASSENGER ELECTRIC TRACTION OR HYDRAULIC ELEVATOR

NTS (WITH GYP WALLBD SHAFT HORIZONTAL SLIDING CENTER OPENING DOORS)

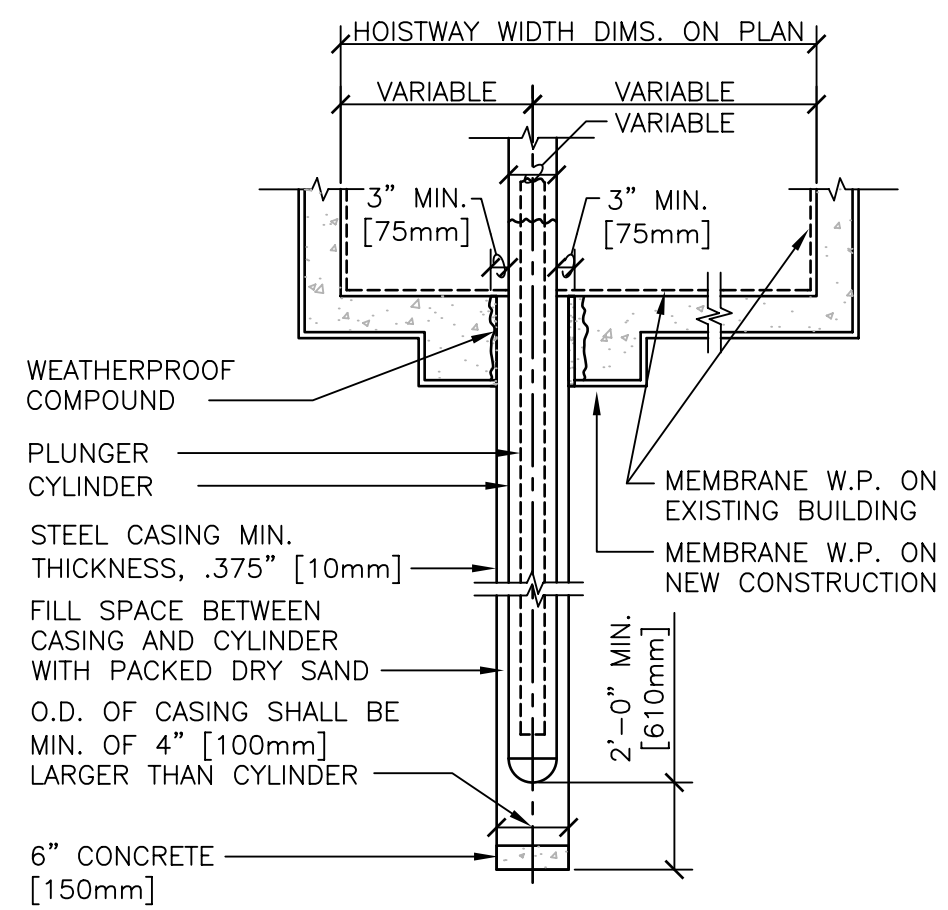


Department of
 Veterans Affairs

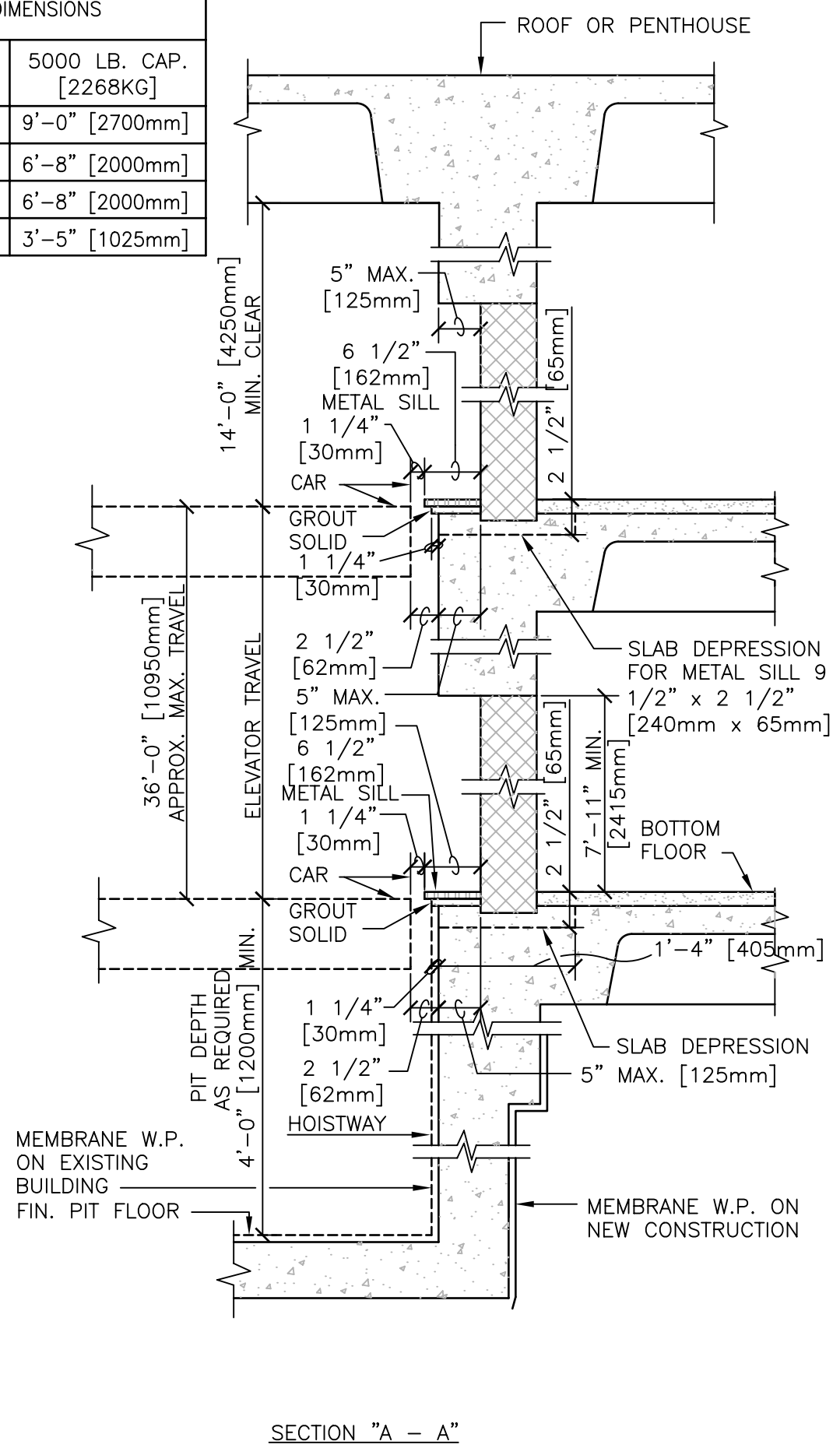


VARIABLE CAR DIMENSIONS		
	4000 LB. CAP. [1814KG]	5000 LB. CAP. [2268KG]
A	8'-2" [2450mm]	9'-0" [2700mm]
B	6'-0" [1800mm]	6'-8" [2000mm]
C	5'-8" [1700mm]	6'-8" [2000mm]
D	2'-7" [775mm]	3'-5" [1025mm]

PLAN OF ELEVATOR AT BOTTOM FLOOR



DETAIL OF WELL CASING AND PLUNGER ASSEMBLY



SECTION "A - A"

DETAIL TITLE / HYDRAULIC ELEVATOR
PLAN SECTION



SCALE : NONE

DATE ISSUED : DECEMBER 2008

CADD DETAIL NO. : SD142400-01.DWG