

**GENERAL NOTE:**  
 ALL 'B' LABELED  
 DOORS WILL HAVE A  
 90 MINUTE RATING.

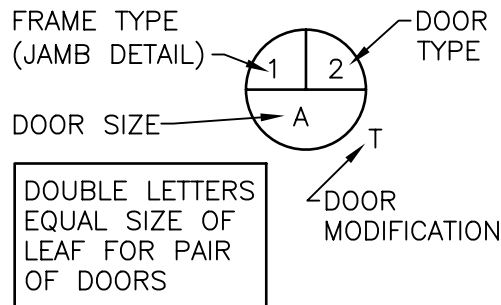
# DOOR SIZES

MK	WIDTH		HEIGHT		MK	WIDTH		HEIGHT	
	IN	[mm]	IN	[mm]		IN	[mm]	IN	[mm]
A	1'-6"	[457]	6'-8"	[2032]	N	2'-0"	[610]	7'-0"	[2134]
B	2'-0"	[610]	6'-8"	[2032]	O	2'-2"	[660]	7'-0"	[2134]
C	2'-2"	[660]	6'-8"	[2032]	P	2'-4"	[711]	7'-0"	[2134]
D	2'-4"	[711]	6'-8"	[2032]	Q	2'-6"	[762]	7'-0"	[2134]
E	2'-6"	[762]	6'-8"	[2032]	R	2'-8"	[813]	7'-0"	[2134]
F	2'-8"	[813]	6'-8"	[2032]	S	3'-0"	[914]	7'-0"	[2134]
G	2'-10"	[864]	6'-8"	[2032]	T	3'-4"	[1016]	7'-0"	[2134]
H	3'-0"	[914]	6'-8"	[2032]	U	3'-6"	[1067]	7'-0"	[2134]
I	3'-2"	[965]	6'-8"	[2032]	V	3'-8"	[1118]	7'-0"	[2134]
J	3'-4"	[1016]	6'-8"	[2032]	W	3'-10"	[1168]	7'-0"	[2134]
K	3'-8"	[1118]	6'-8"	[2032]	X	4'-0"	[1219]	7'-0"	[2134]
L	3'-10"	[1168]	6'-8"	[2032]	Y	3'-0"	[914]	8'-0"	[2438]
M	1'-6"	[457]	7'-8"	[2337]	Z	UNASSIGNED			

**DOOR MODIFICATIONS**

- A LAMINATED GLASS
- D DOUBLE GLAZED TEMPERED GLASS
- H ELECTRIC HOLD
- L LOUVER
- LP LIGHT PROOF LOUVER
- M MECH. SEAL FOR LIGHT PROOF & SOUND RETARDING DOOR
- T TEMPERED GLASS
- U UNDERCUT 1" [25mm]
- V LEAD GLASS
- F FIRE RATED GLAZING

**DOOR SYMBOL**



**LEGEND (SEE ELEVATIONS)**

- GLASS OR LOUVER REQUIRED BY MODIFICATION
- GLASS OR LOUVER REQUIRED BY ELEVATION TYPE

**NOTES:**

1. ALL DOORS SHALL BE FLUSH – 1 3/4" [44mm] THICK UNLESS NOTED OTHERWISE.
2. TOP & SIDE RAILS SHALL BE 9" [229mm] MIN. BOTTOM RAILS SHALL BE 12" MIN. [305mm].
3. DOOR TYPES 7, 8, & 9 SHALL NOT BE USED FOR OPPOSING DOORS.
4. FOR SCHEDULING DOOR TYPES, SEE PG-18-14.
5. EVEN NUMBERS ARE METAL; ODD NUMBERS ARE WOOD.



Department of  
Veterans Affairs

DETAIL TITLE / DOOR SCHEDULE

SCALE :NONE

DATE ISSUED: DECEMBER 2008

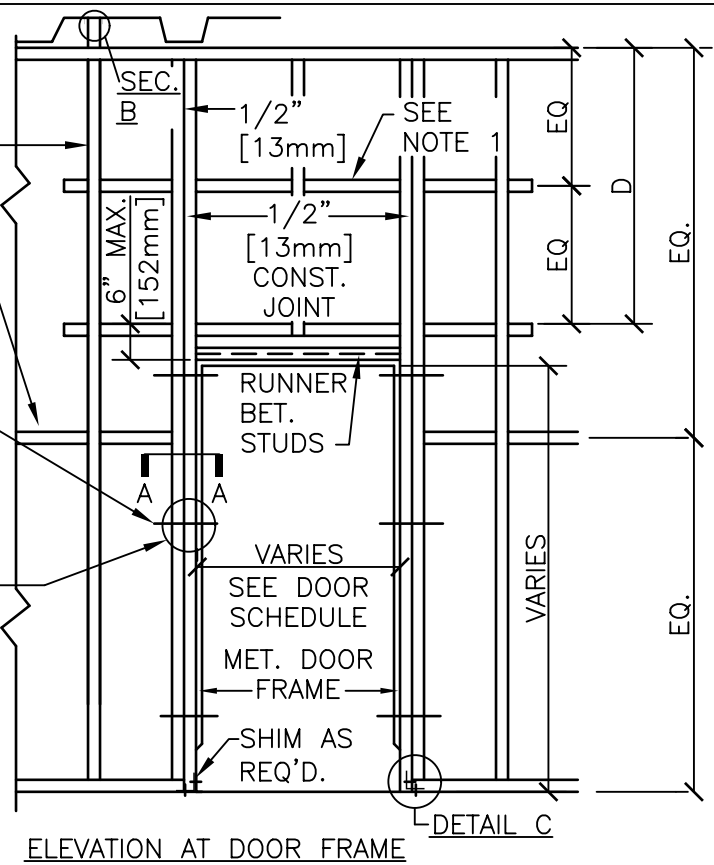
CAD DETAIL NO.: SD080000-02.DWG

VERTICAL STUDS @ 2'-0" [610mm] MAX.  
 W/GYPSUM WALLBD. 1'-4" [406mm] W/GYPSUM  
 LATH & PLASTER DOUBLE STUDS FOR SUPPORTING  
 CONC. BACKER BOARD.

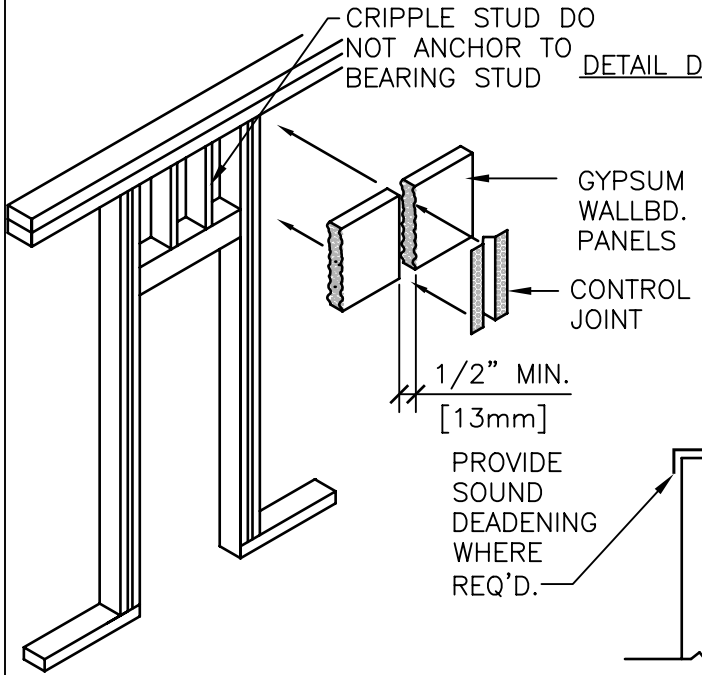
PROVIDE CONTINUOUS BRACING WHEN STUDS  
 EXCEED 10'-0" [3048mm] & ARE FINISHED BOTH  
 SIDES

JAMB ANCHOR CLIPS 3 PER SIDE -  
 COORDINATE W/HINGE REINFORCEMENT.

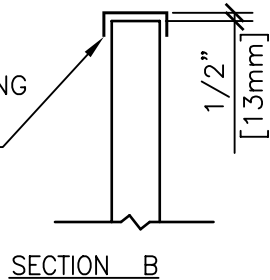
NOTE 1:  
 OMIT BRACE WHEN "D" DIMENSION IS LESS  
 THAN 2'-0" [610mm] FOR GYP. WALLBD.  
 OR 16" [400mm] FOR PLASTER PARTITION.



ELEVATION AT DOOR FRAME

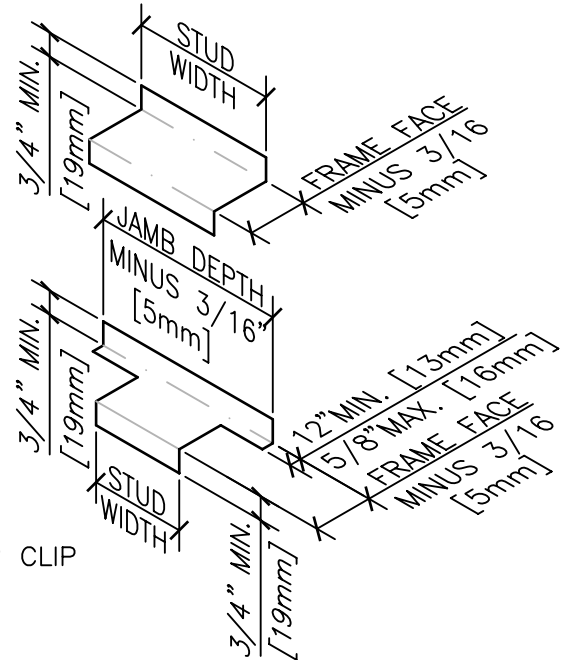


ISOMETRIC OF CONSTR. JT.

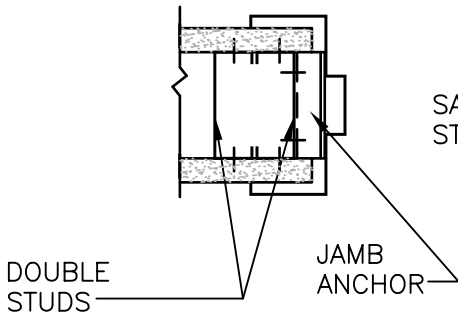


SECTION B

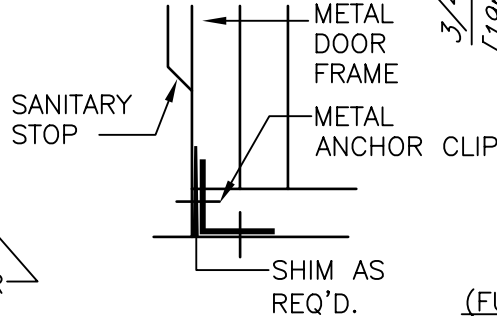
PROVIDE  
 SOUND  
 DEADENING  
 WHERE  
 REQ'D.



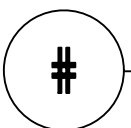
JAMB ANCHORS  
 (FURNISHED WITH FRAME)



SECTION A



DETAIL C



# PARTITION FRAMING FOR DOORS

NTS



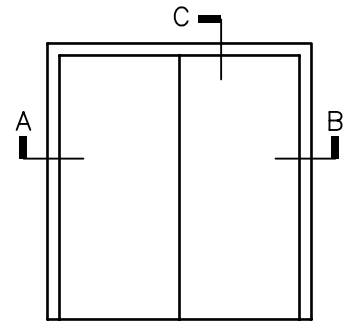
Department of  
 Veterans Affairs

DETAIL TITLE / PARTITION FRAMING FOR DOORS

SCALE : NONE

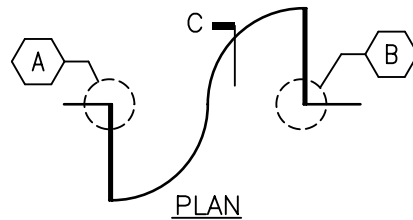
DATE ISSUED : DECEMBER 2008

CADD DETAIL NO. : SD081113-01.DWG

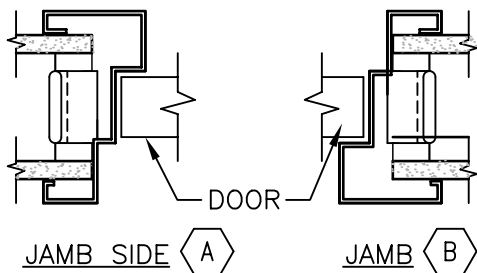


NOTE: SHOWING SWING OF DOUBLE EGRESS DOORS.

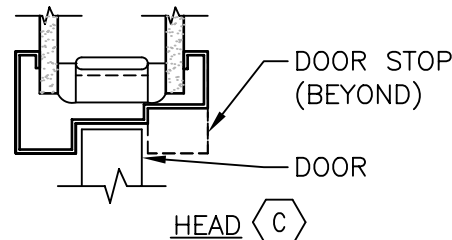
DOUBLE EGRESS DOOR FRAME



NOTE: SHOWING THE SWING OF DOUBLE EGRESS DOORS.

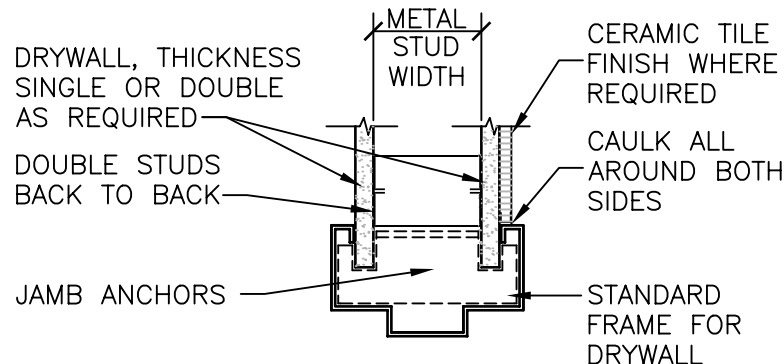
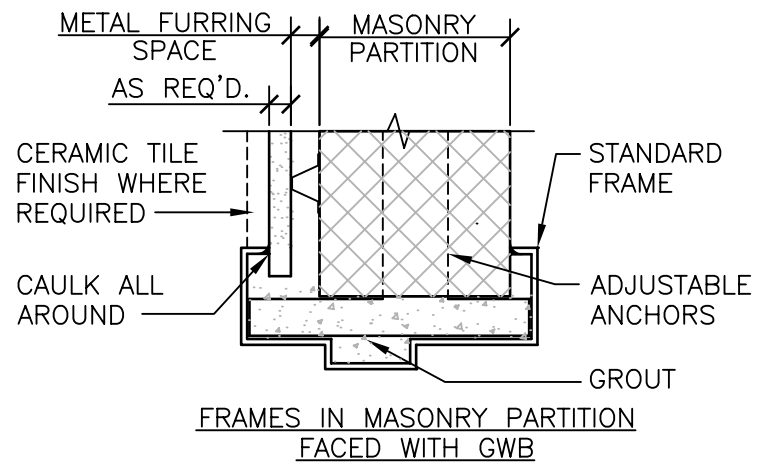


JAMB SIDE A JAMB B

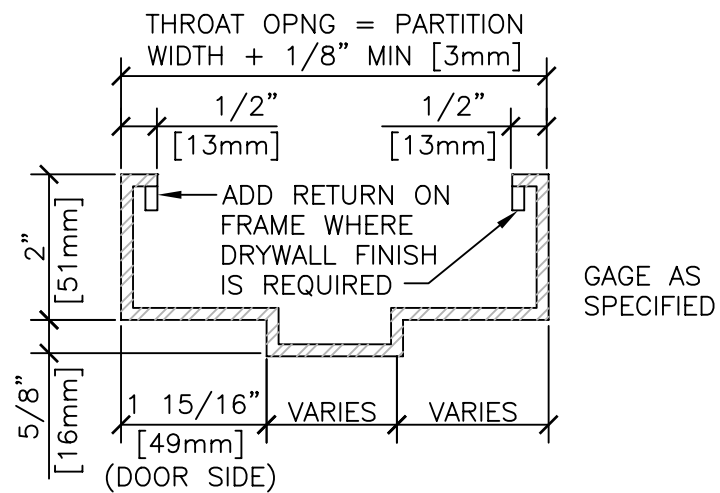


HEAD C

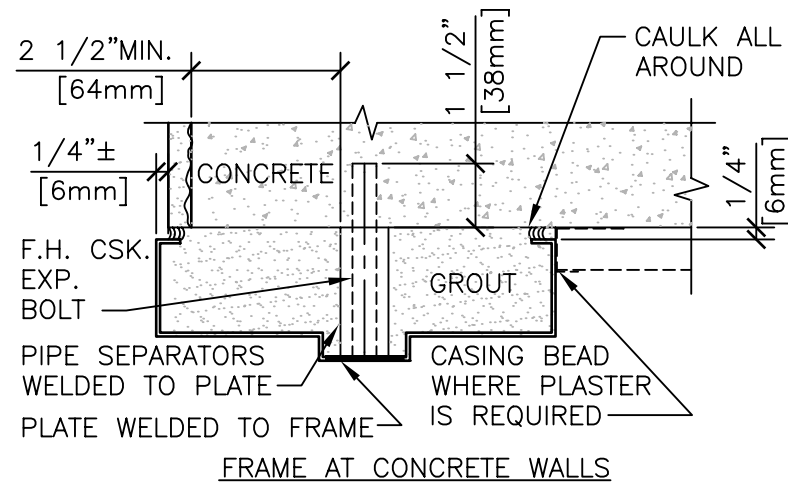
SECTIONS DOUBLE EGRESS DOORS



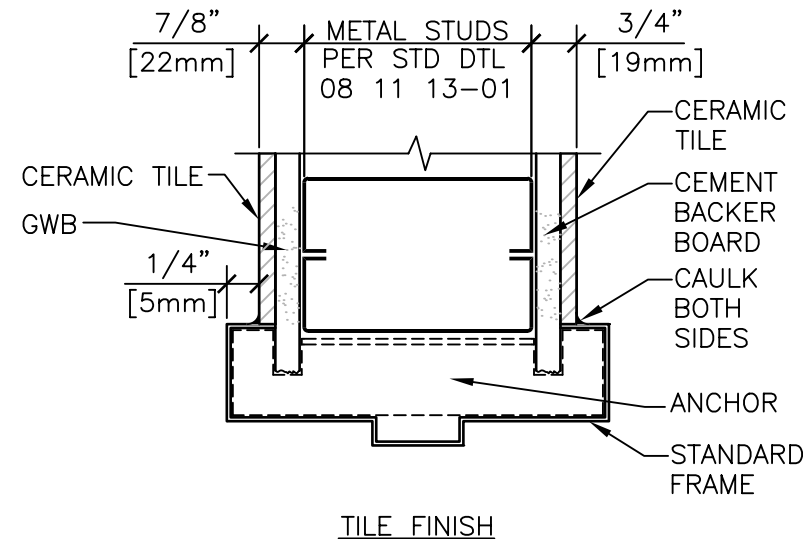
FRAMES IN METAL STUD PARTITIONS



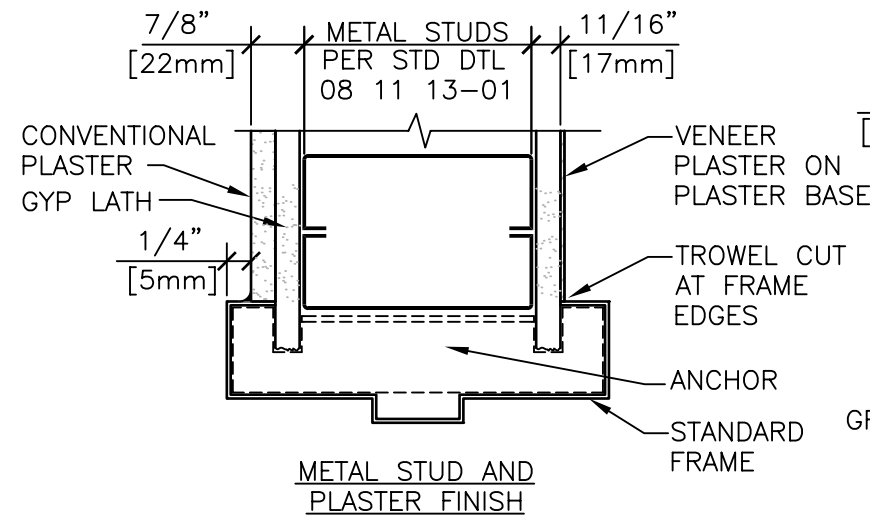
STANDARD DOOR FRAME



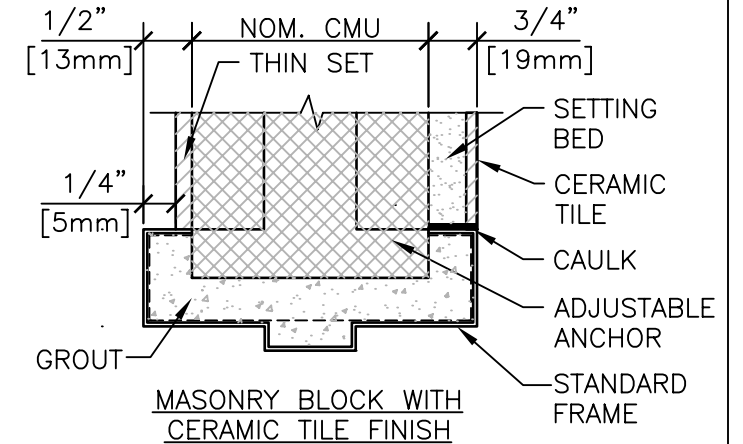
FRAME AT CONCRETE WALLS



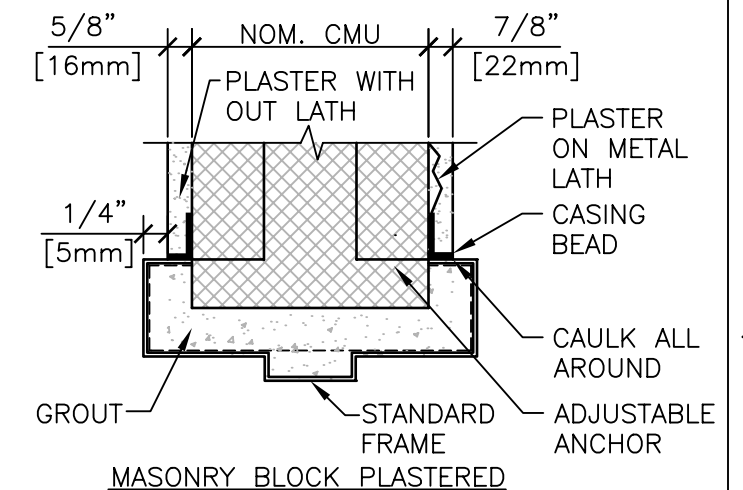
TILE FINISH



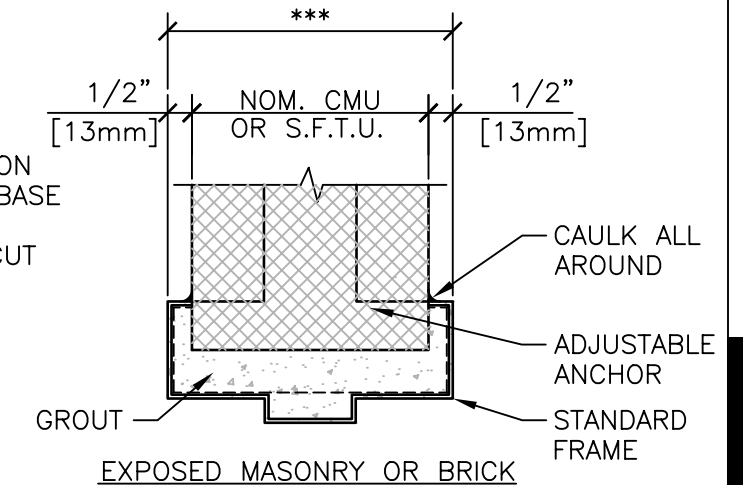
FRAMES WITH METAL STUD AND PLASTER PARTITIONS



MASONRY BLOCK WITH CERAMIC TILE FINISH



MASONRY BLOCK PLASTERED



FRAMES IN MASONRY PARTITION

\*\*\* FRAME WIDTH FOR NOMINAL MASONRY  
 4 3/4" w/ 4" CMU [100 / 100 mm]  
 6 3/4" w/ 6" CMU [160 / 150 mm]  
 8 3/4" w/ 8" CMU [210 / 200 mm]

# INTERIOR DOOR FRAMES  
 NTS



Department of  
Veterans Affairs

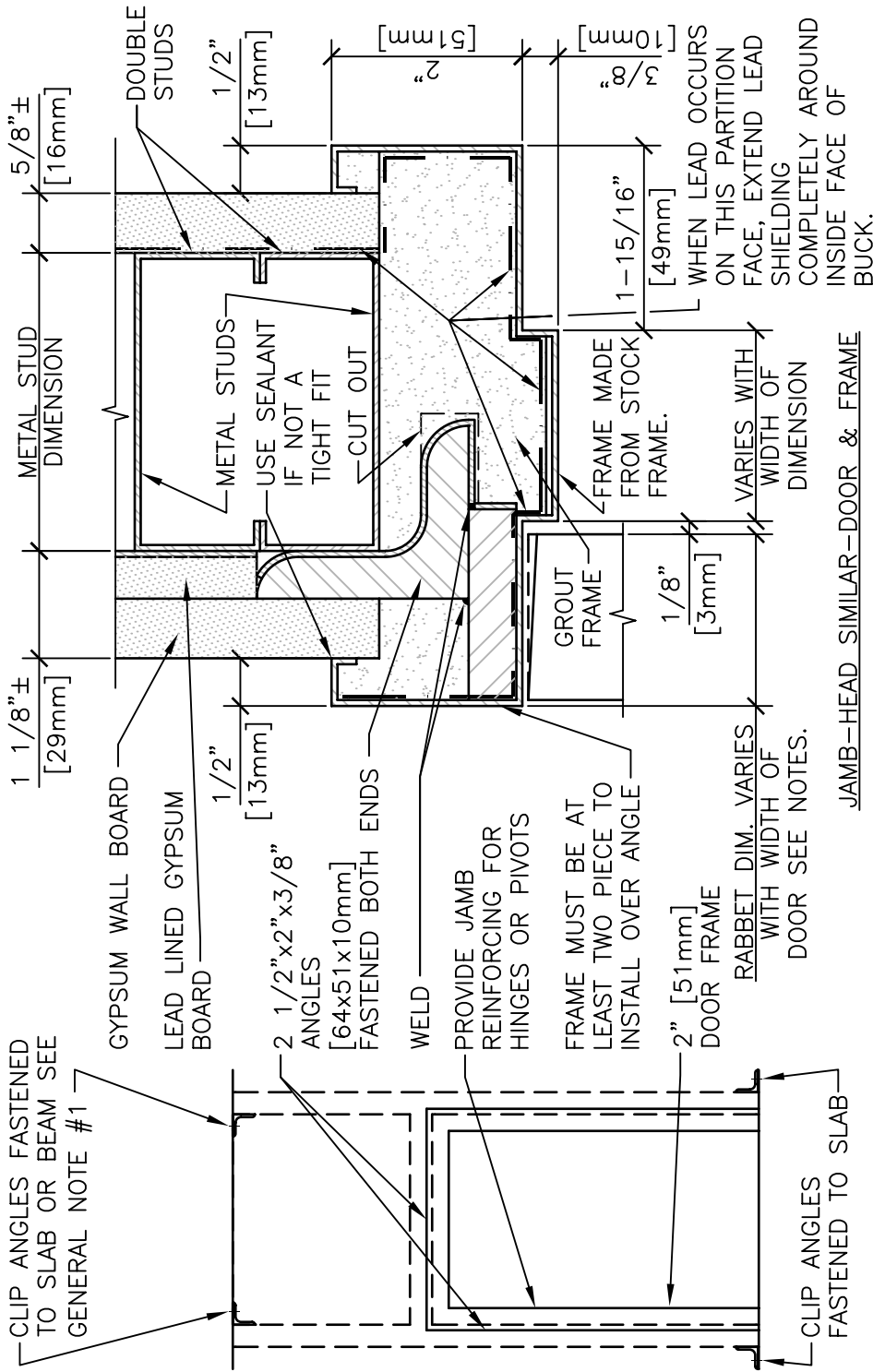
DETAIL TITLE / LEAD LINED DOOR  
TYPE 15 AND FRAME

SCALE :NONE

DATE ISSUED: DECEMBER 2008

CAD DETAIL NO.:

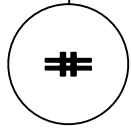
SD081113-03.DWG



ELEVATION

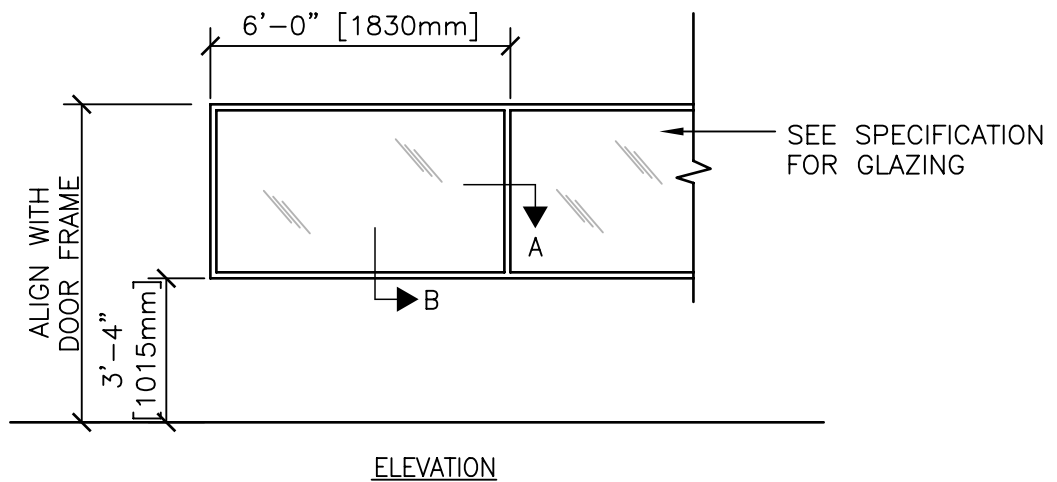
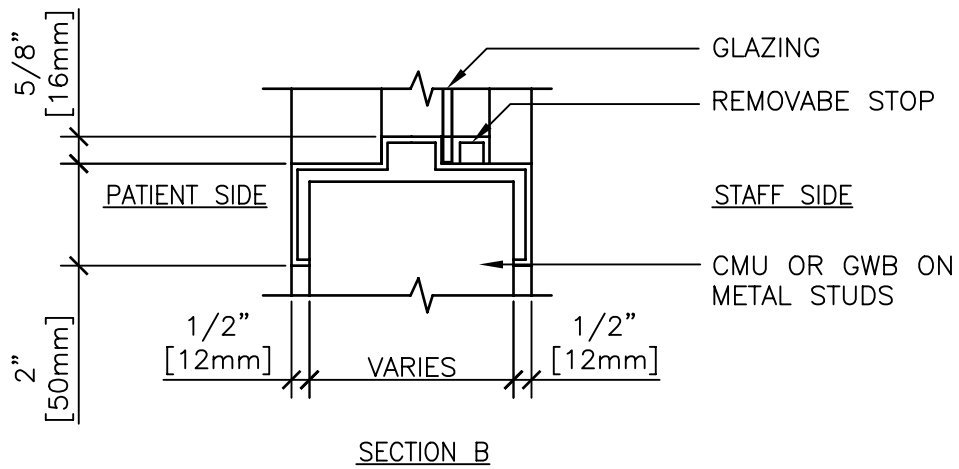
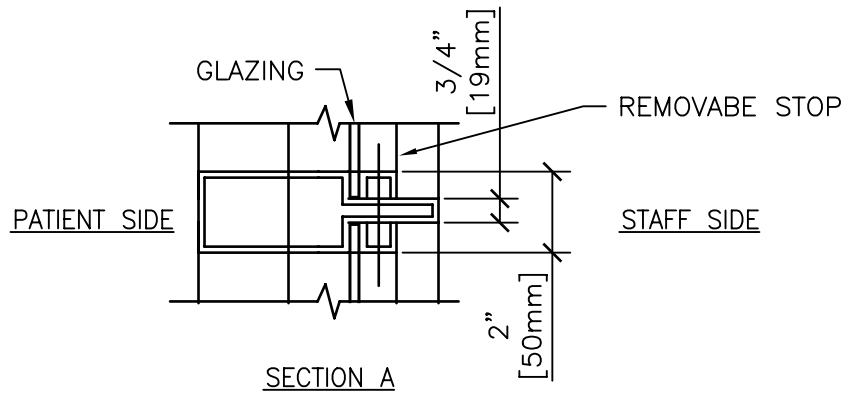
GENERAL NOTES:

1. SPECIAL ANCHORAGE OF CLIP ANGLES AT INTERSTITIAL DECKS MAY BE REQUIRED.
2. THICKNESS OF LEAD AND LEAD GLASS IN DOORS IS TO BE DETERMINED BY A REGISTERED HEALTH PHYSICIST AND REVIEWED BY THE VA HEALTH PHYSICS PROGRAM OFFICE.
3. LEAD IS NOT REQUIRED IN THE DOOR HEAD WHEN IT IS ONLY REQUIRED IN WALLS TO 7'-0" [2134mm] HEIGHT.



**LEAD LINED DOOR TYPE 15 AND FRAME**

NTS



GENERAL NOTES:

1. SILL HEIGHT FOR OBSERVATION WINDOWS IN GROUP THERAPY CAN BE 24" (600mm).
2. PROVIDE HEADER IN METAL STUD FRAMING & LINTEL AT MASONRY.
3. SEE SPECIFICATIONS FOR METAL GAUGES AND FASTENINGS.



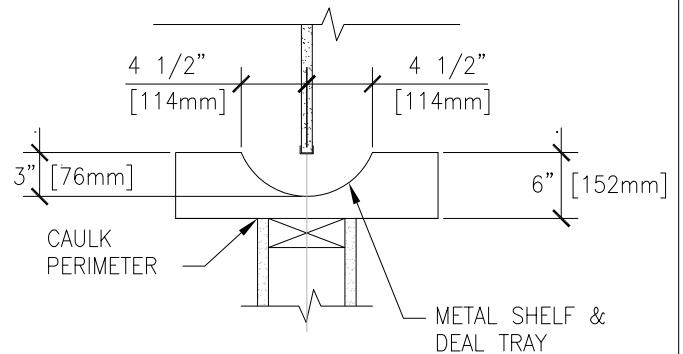
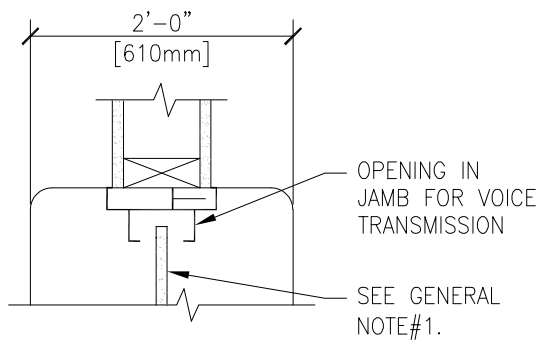
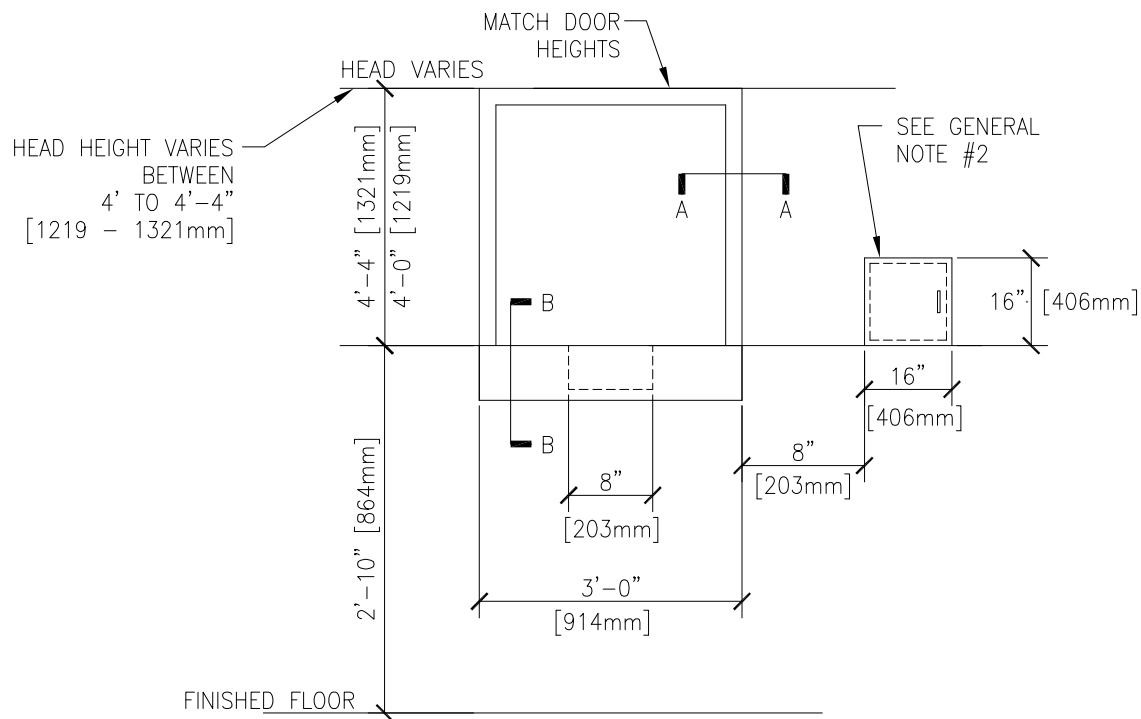
Department of  
Veterans Affairs

DETAIL TITLE / OBSERVATION WINDOWS

SCALE :NONE

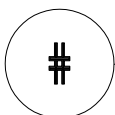
DATE ISSUED: DECEMBER 2008

CAD DETAIL NO.: SD081113-04.DWG



GENERAL NOTES:

1. SEE PHYSICAL SECURITY AND RESILIENCY DESIGN MANUAL (SECTION 5.12 PHARMACY) FOR ADDITIONAL DISPENSING PARTITIONS AND OPENINGS REQUIREMENTS.
2. PROVIDE AN INTERLOCK ON PACKAGE TRANSFER DOORS SO THAT BOTH DOORS CANNOT BE OPEN AT THE SAME TIME.



# PHARMACY SERVICE WINDOW AND PACKAGE TRANSFER

NTS

VA



U.S. Department of Veterans Affairs

DETAIL TITLE / PHARMACY SERVICE WINDOW AND PACKAGE TRANSFER

SCALE: NONE

DATE ISSUED: DECEMBER 1, 2020

SD085659-01.DWG