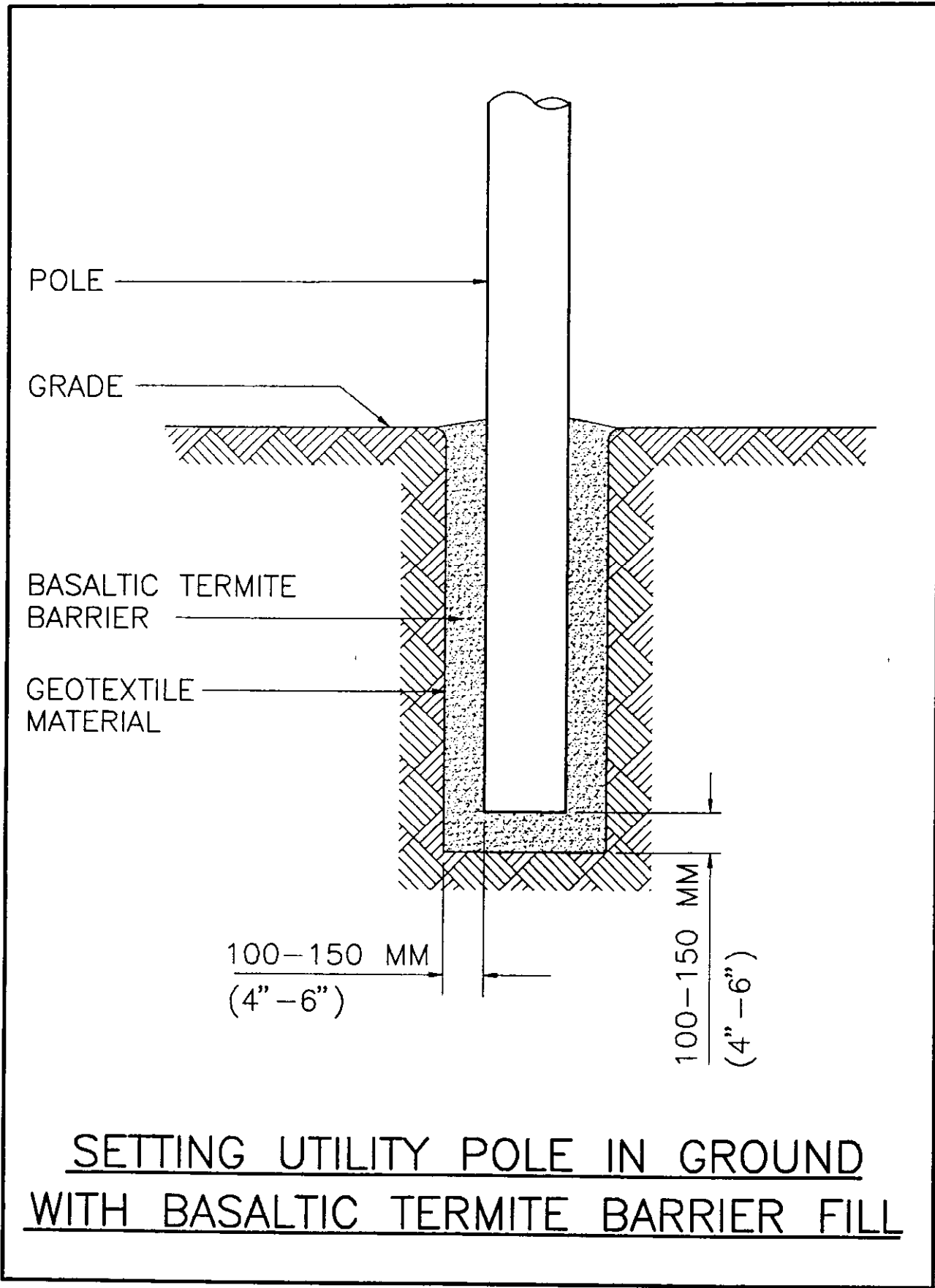


SLAB OPENINGS AND PIPE CHASE

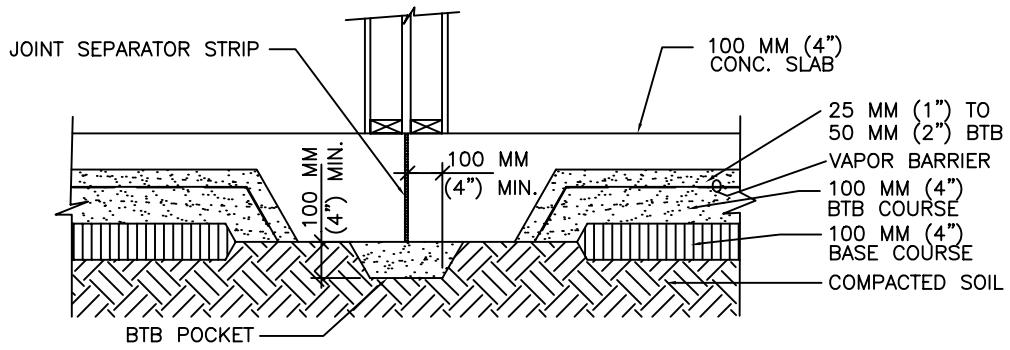
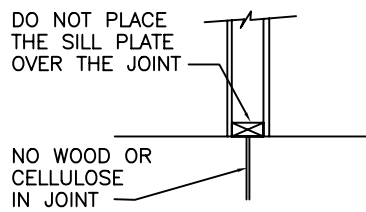
NOTE:
BASALTIC TERMITE BARRIER DETAILS
PRESENTED FOR COMMON RESIDENTIAL
CONSTRUCTION.

TYPICAL DETAILS



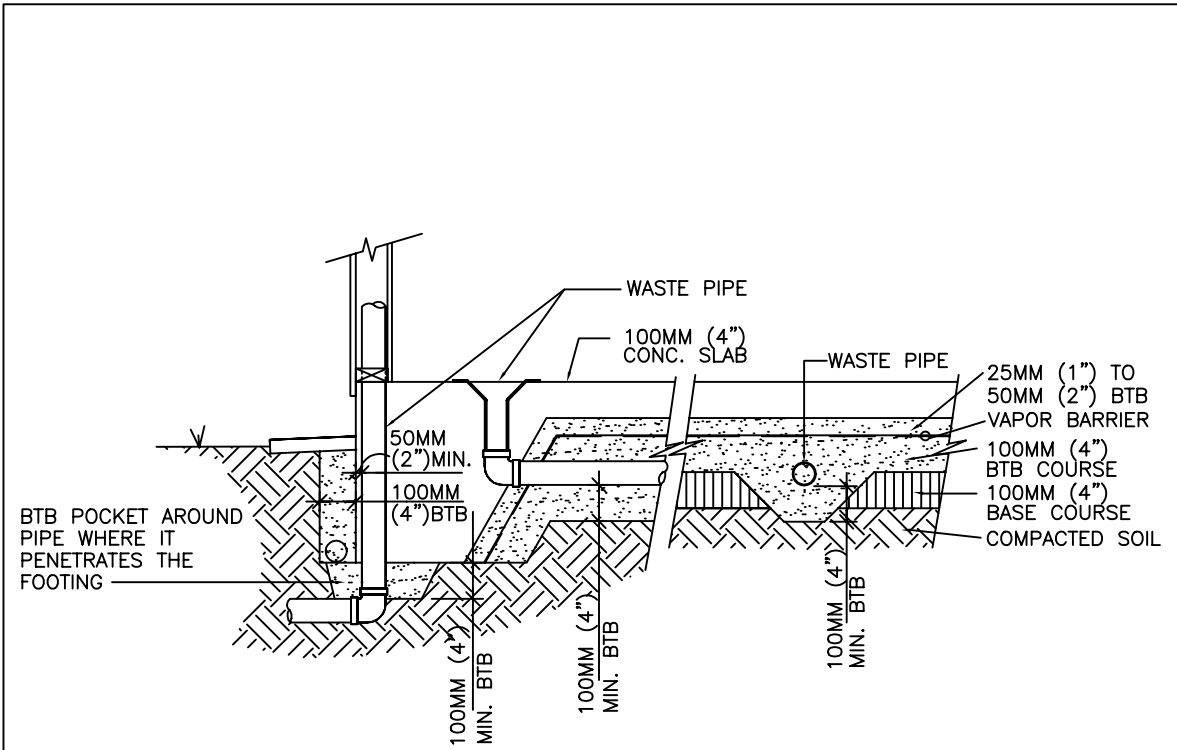
SETTING UTILITY POLE IN GROUND
WITH BASALTIC TERMITE BARRIER FILL

SKETCH - 3

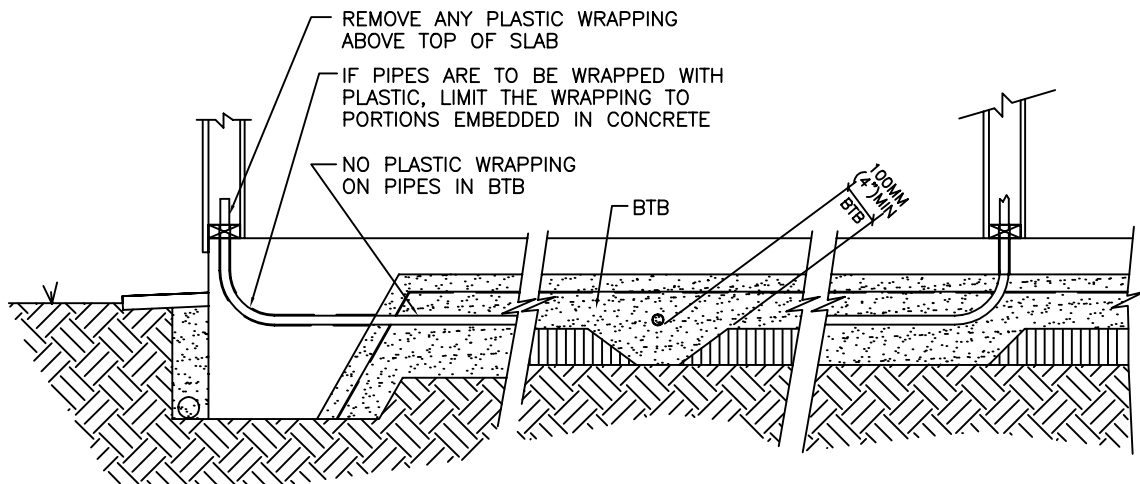


DETAIL @ INTERIOR EXPANSION JOINT

SKETCH - 4

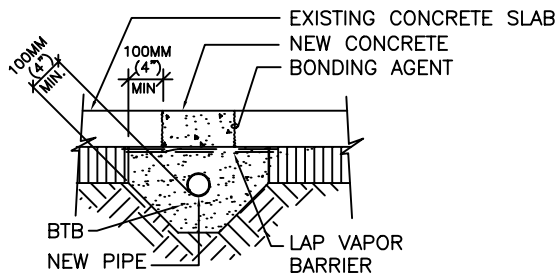


DETAILS AT SUBSLAB DRAIN PIPING

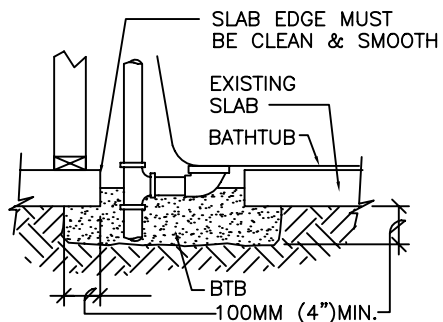


DETAILS AT SUBSLAB WATER PIPING

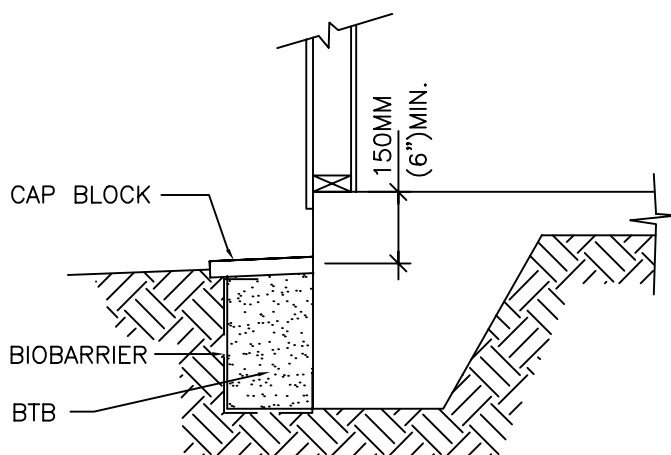
SKETCH - 5



RENOVATION DETAIL
FOR ADDED PIPE

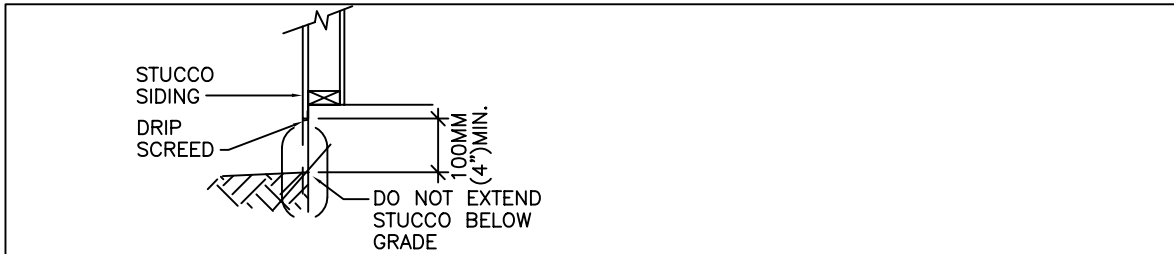


REMEDIAL DETAIL AT
BATHTUB BLOCKOUT

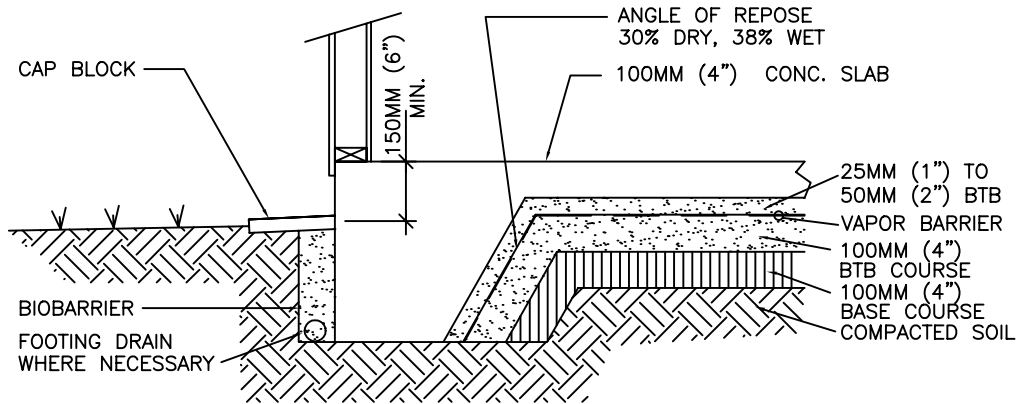


REMEDIAL DETAIL FOR
PERIMETER PROTECTION

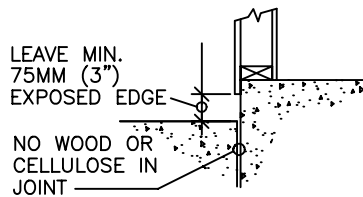
SKETCH - 6



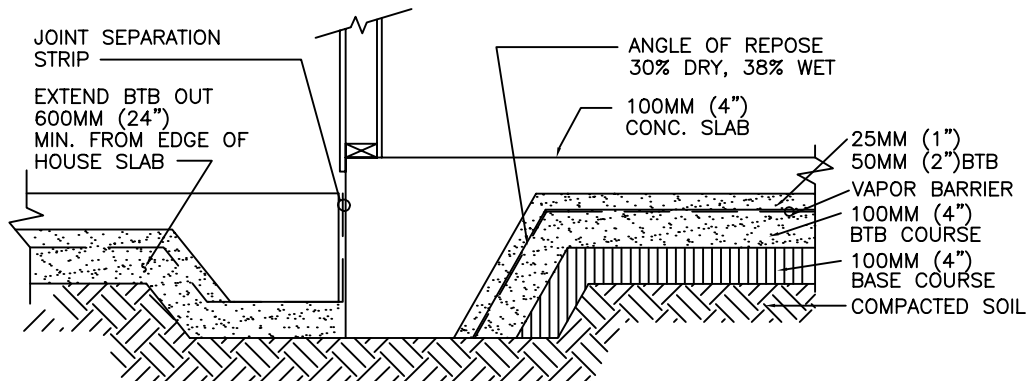
DETAIL AT STUCCO SIDING



DETAIL AT TYPICAL SLAB EDGE

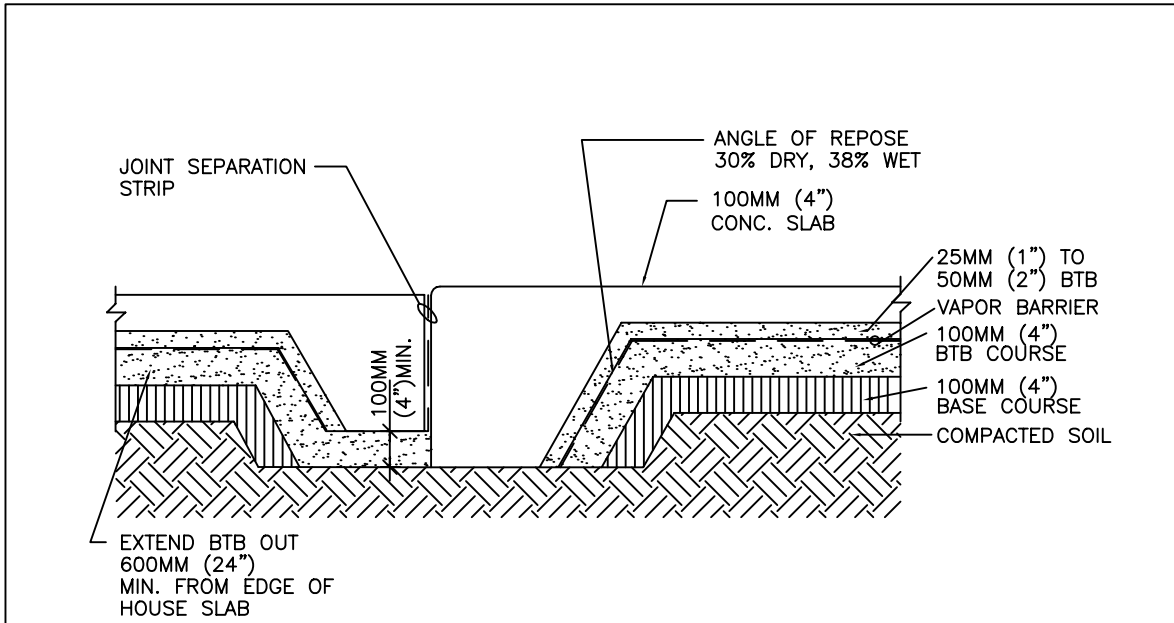


DETAIL AT SIDING

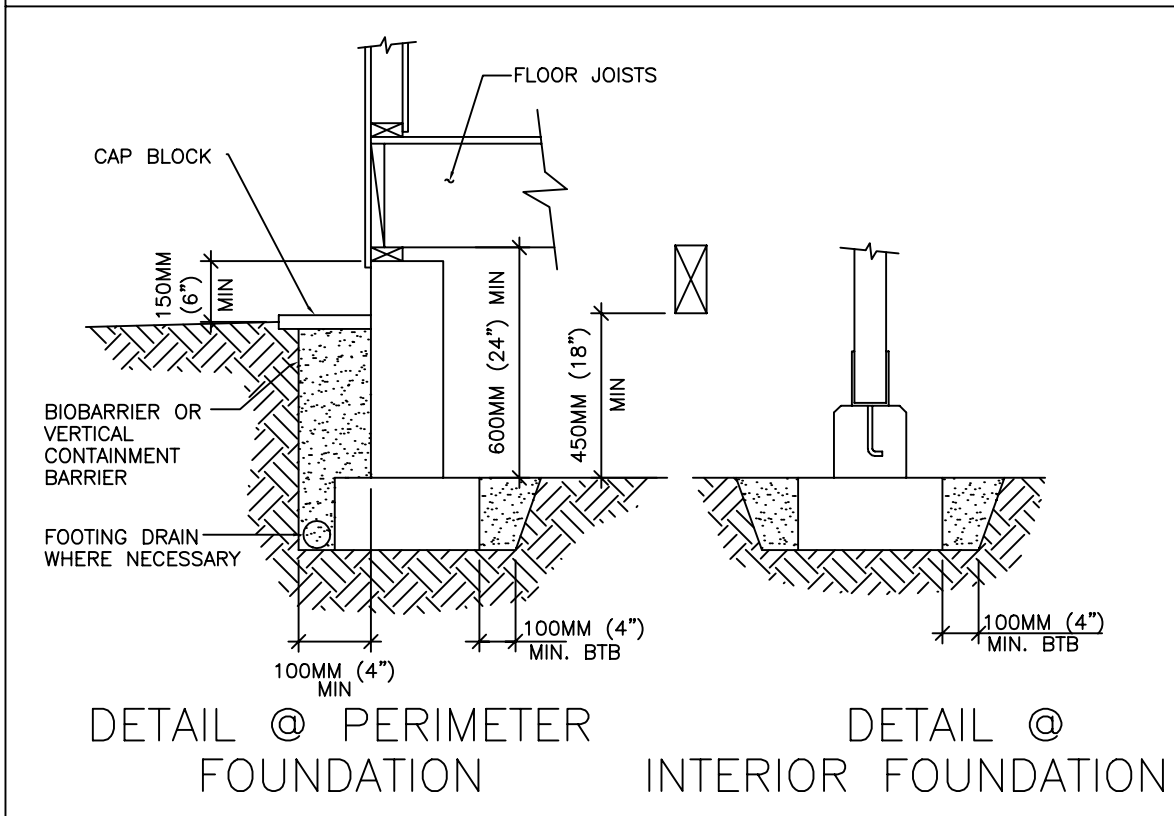


DETAIL AT GARAGE OR LANAI SLAB TO HOUSE SLAB

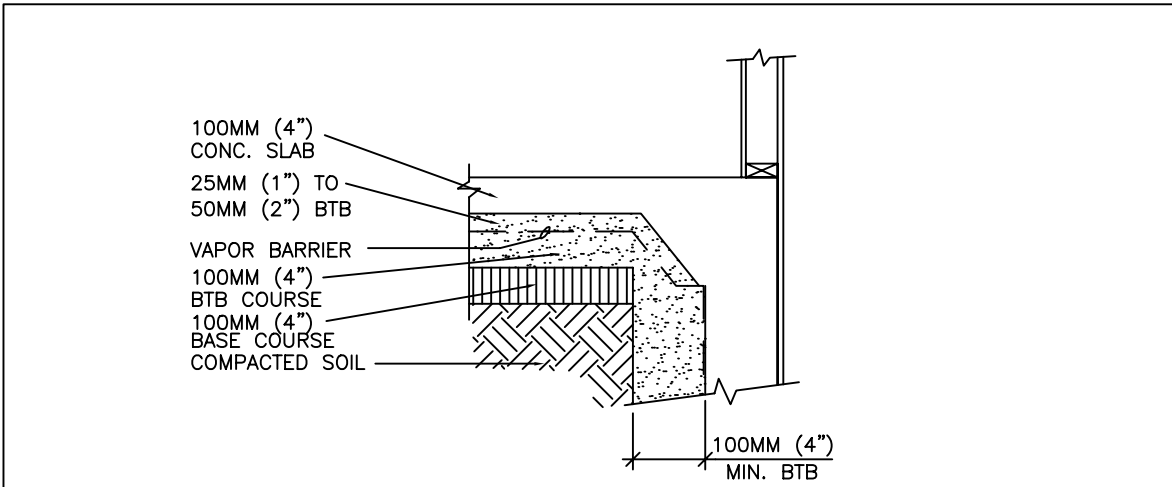
SKETCH - 7



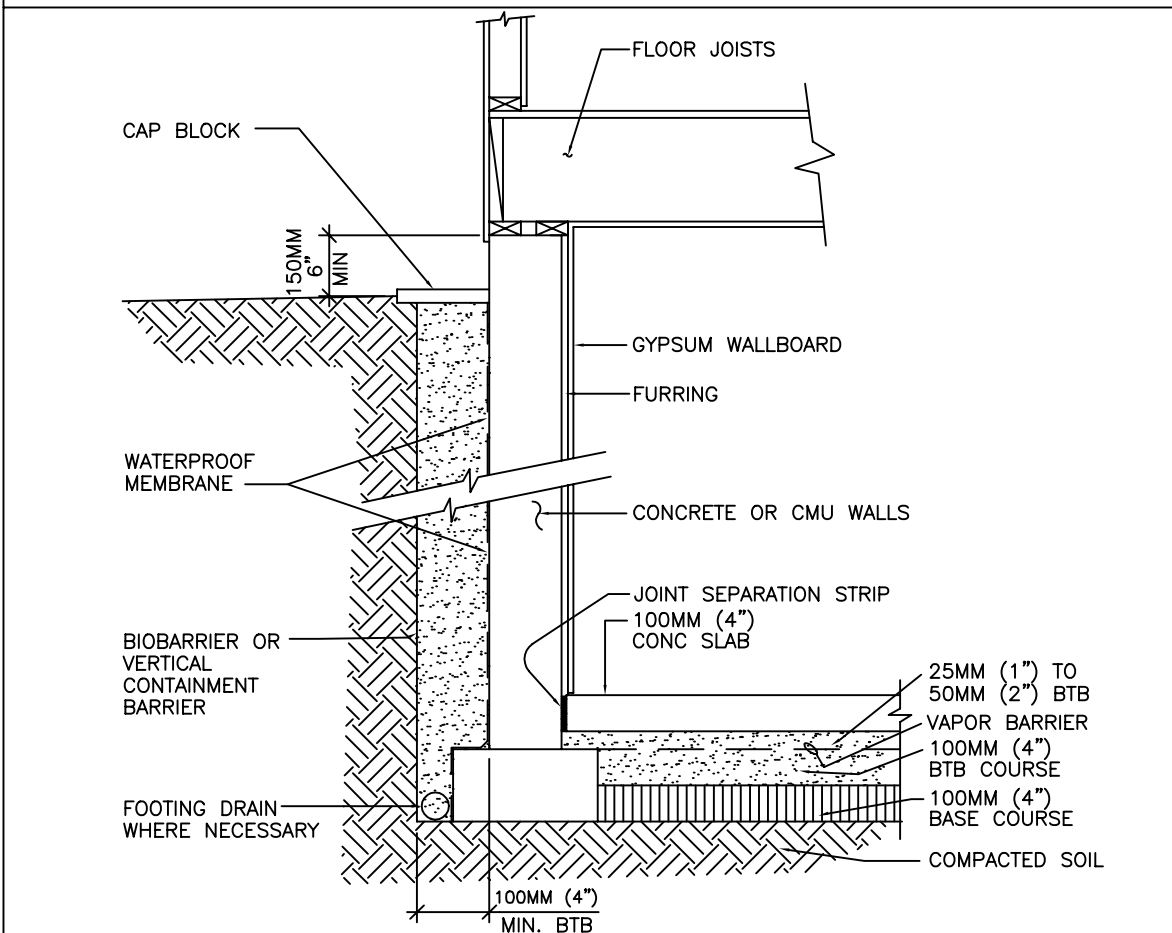
DETAIL AT DRIVEWAY SLAB
TO GARAGE SLAB



SKETCH - 8

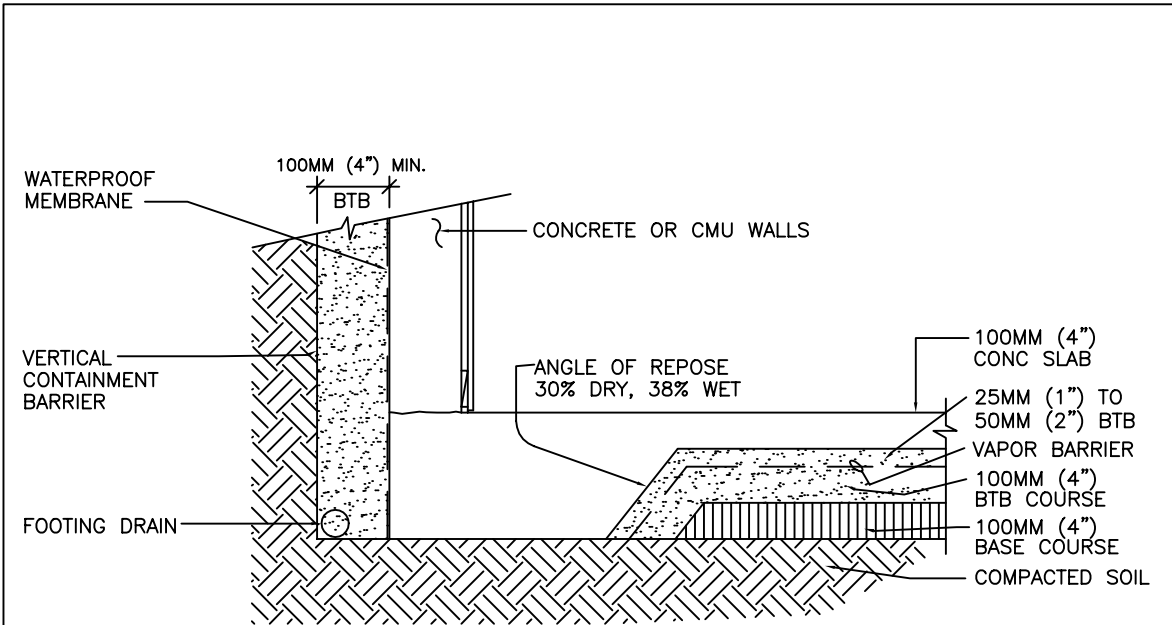


DETAIL @ SLAB ON RETAINING WALL

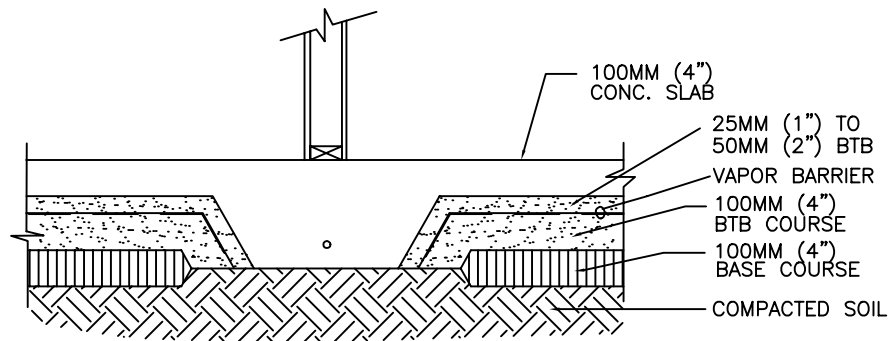


DETAIL @ RETAINING WALL
W\ WALL FOOTING

SKETCH - 9



DETAIL @ RETAINING WALL
W\ THICKENED SLAB EDGE



DETAIL @ INTERIOR THICKENED SLAB