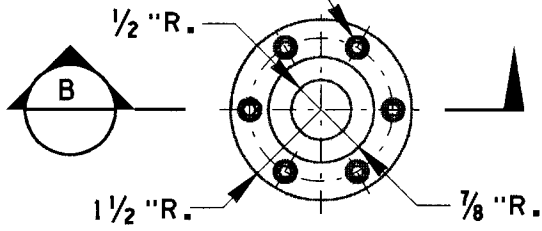
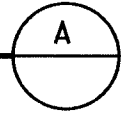


DRILL & TAP FOR  
6- $\frac{1}{4}$ " $\phi$   $\times$   $\frac{5}{8}$ " SOCKET  
HEAD STAINLESS  
STEEL CAP SCREWS



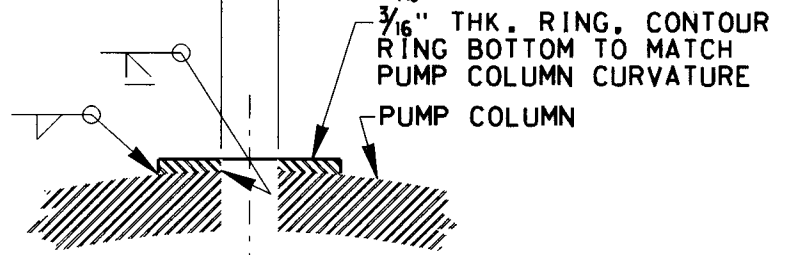
**SECTION**

SCALE: NONE



DRILL & REAM

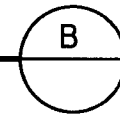
TO  $\frac{5}{16}$ " $\phi$



NOTE:  
 $\frac{1}{8}$ " FLANGE AND SEAL  
OMITTED FOR CLARITY

**SECTION**

SCALE: NONE



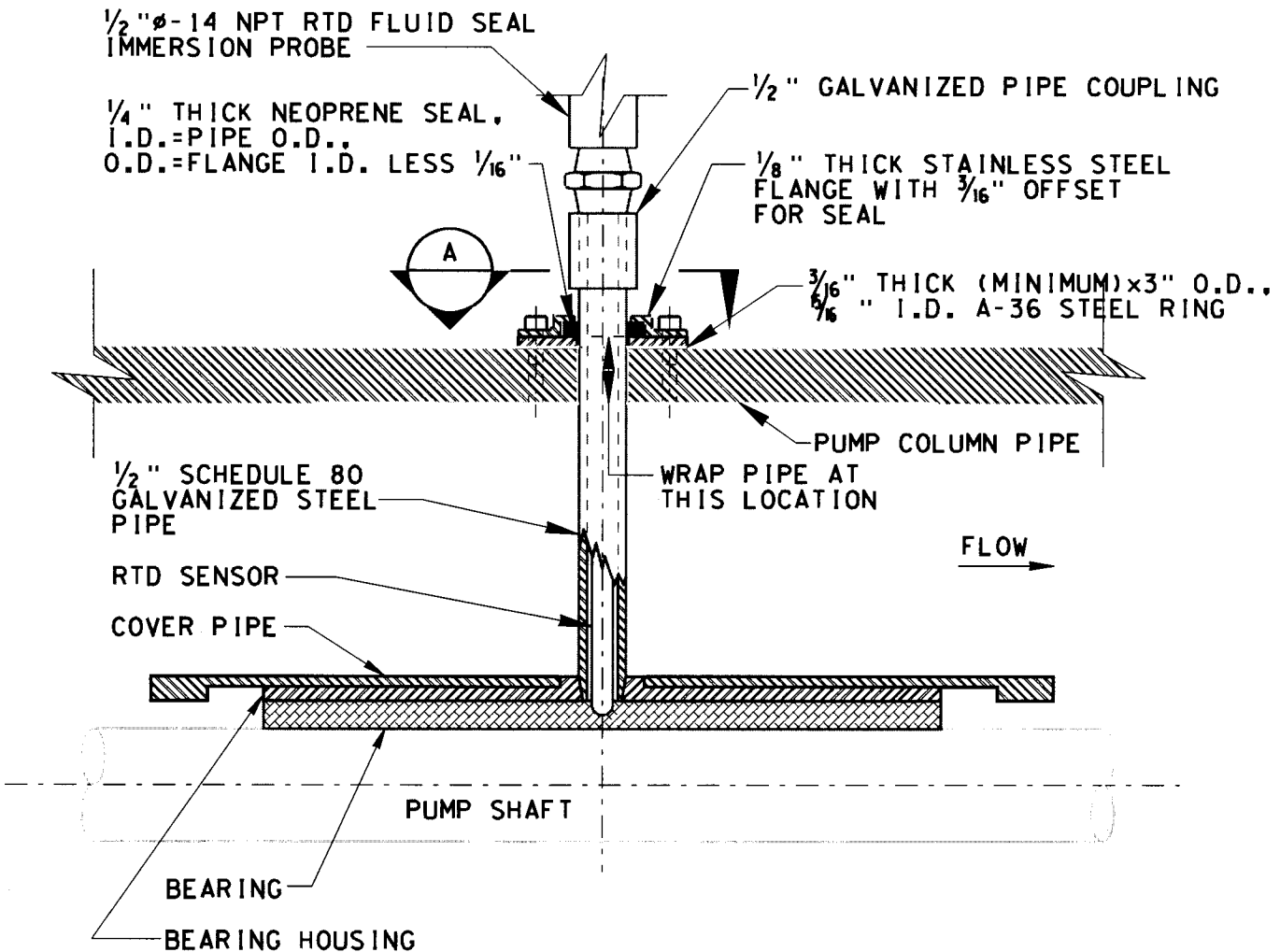
$\frac{1}{2}$ " $\phi$ -14 NPT RTD FLUID SEAL  
IMMERSION PROBE

$\frac{1}{4}$ " THICK NEOPRENE SEAL,  
I.D.=PIPE O.D.,  
O.D.=FLANGE I.D. LESS  $\frac{1}{16}$ "

$\frac{1}{2}$ " GALVANIZED PIPE COUPLING

$\frac{1}{8}$ " THICK STAINLESS STEEL  
FLANGE WITH  $\frac{3}{16}$ " OFFSET  
FOR SEAL

$\frac{3}{16}$ " THICK (MINIMUM) $\times$ 3" O.D.,  
 $\frac{1}{6}$ " I.D. A-36 STEEL RING



$\frac{1}{2}$ " SCHEDULE 80  
GALVANIZED STEEL  
PIPE

WRAP PIPE AT  
THIS LOCATION

RTD SENSOR

COVER PIPE

FLOW  $\rightarrow$

PUMP SHAFT

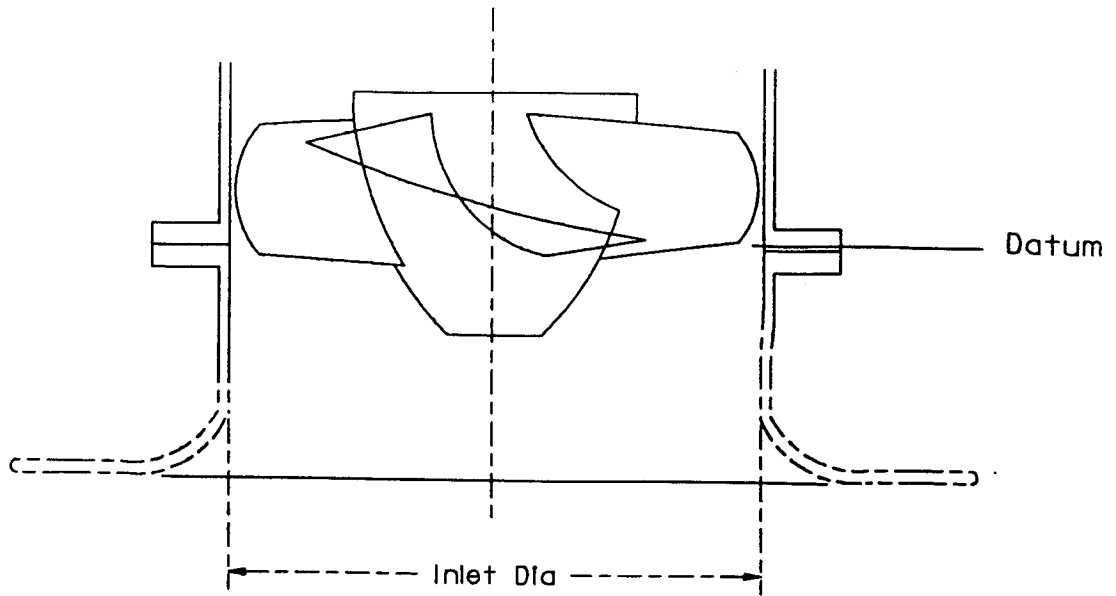
BEARING

BEARING HOUSING

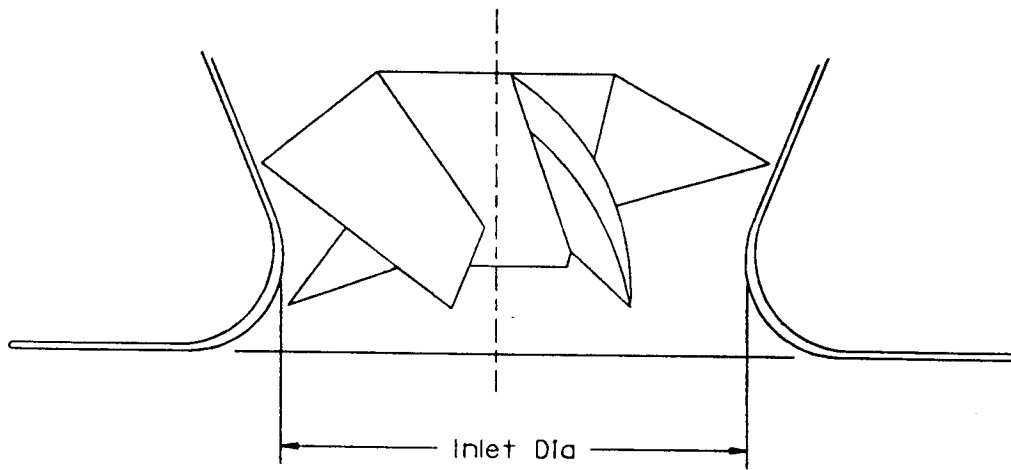
**BEARING RTD INSTALLATION**

SCALE: NONE

**FIGURE 2**



AXIAL FLOW PUMP



MIXED FLOW PUMP

FIGURE 3