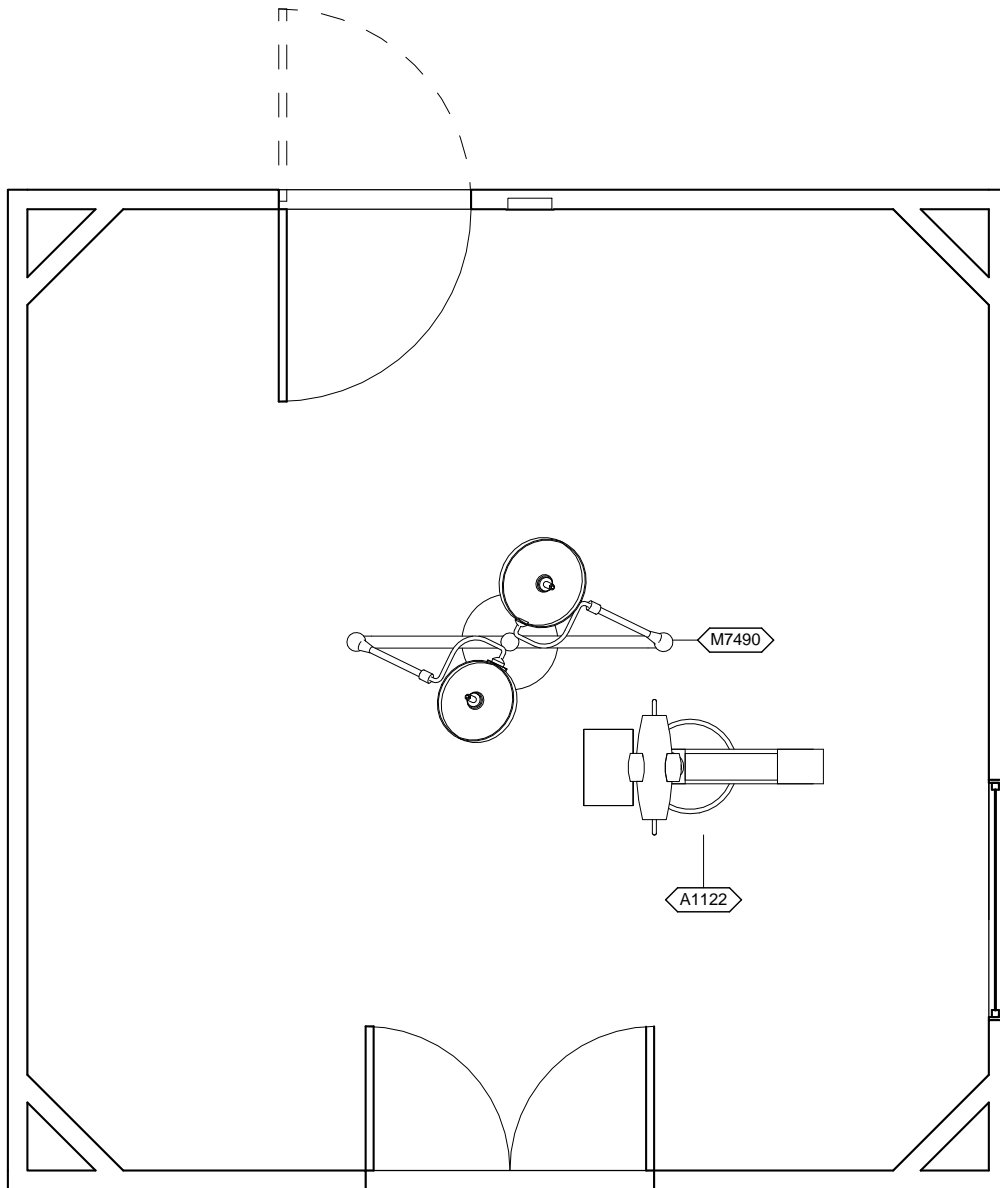
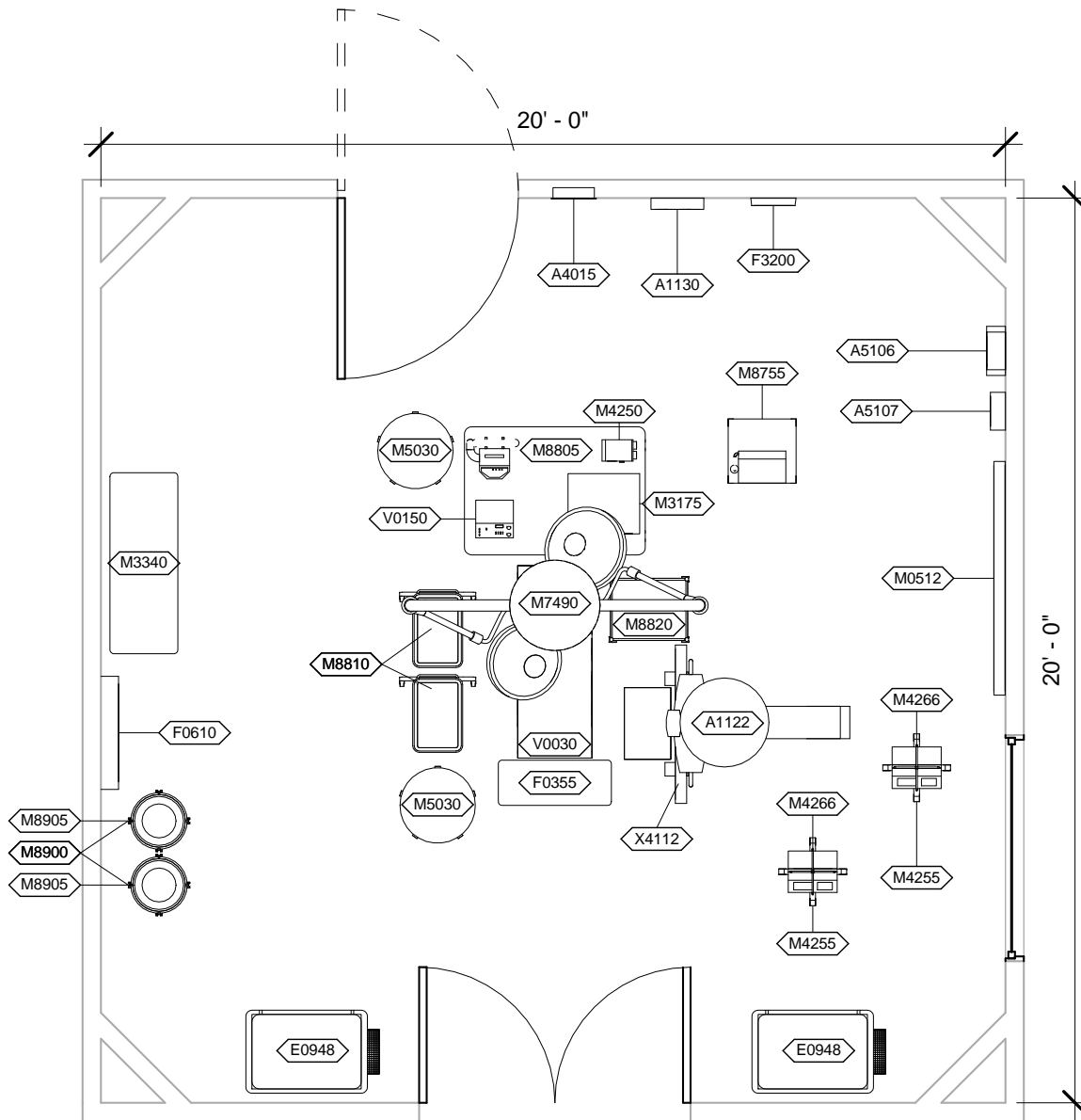


Room Description: Operating Room, Veterinary (VS001)	NSF: 400	VS001	
Sheet Description: Room/Equipment Isometric	Scale:	Sheet 1	of 6

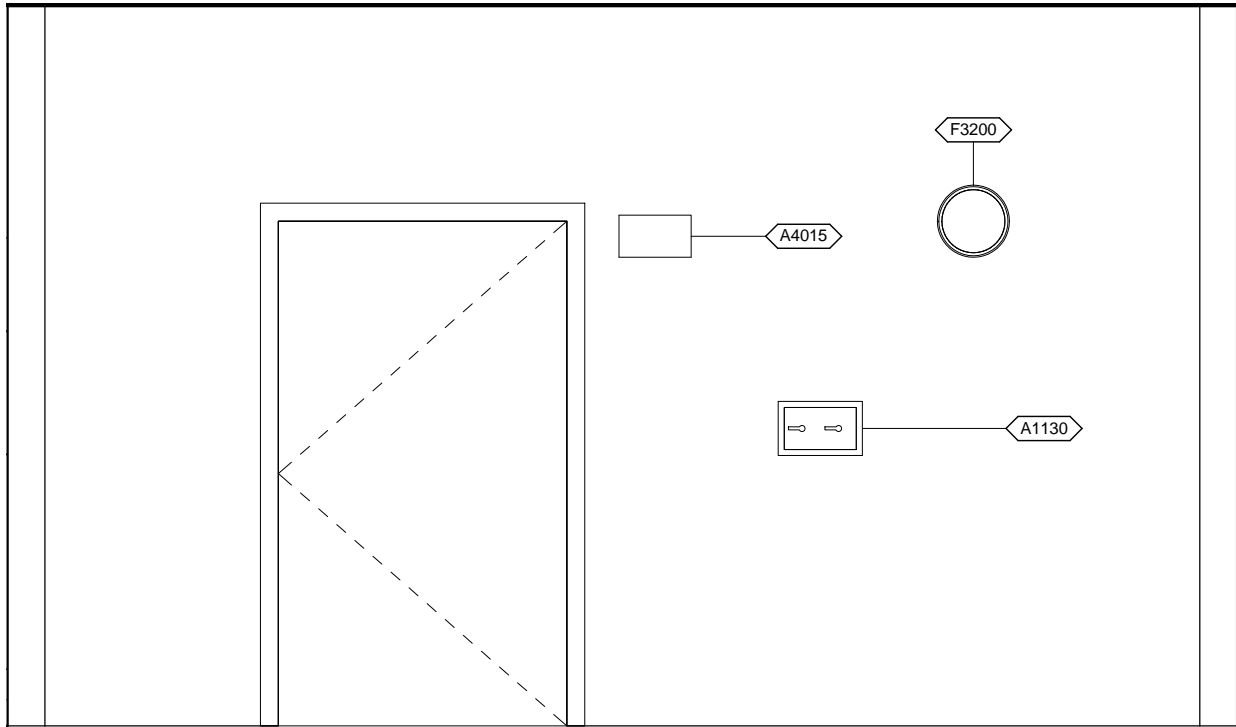


VS001 - CEILING MOUNTED EQUIPMENT PLAN

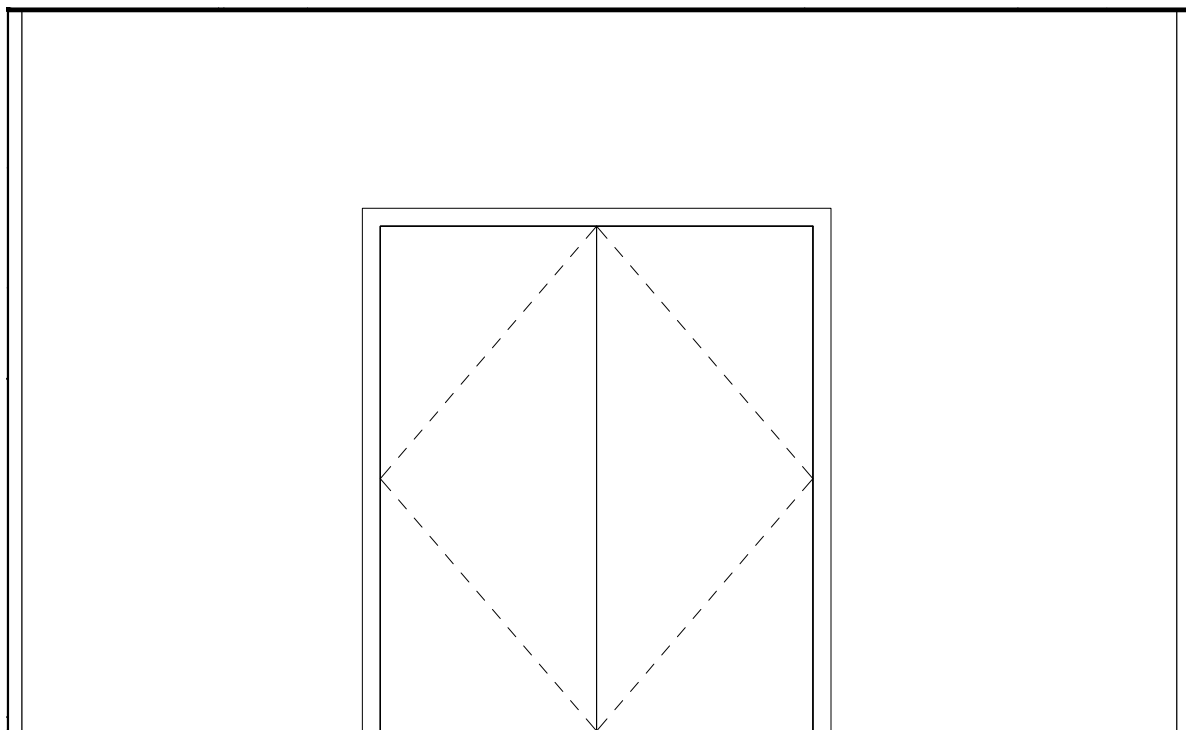
Room Description: Operating Room, Veterinary (VS001)	NSF: 400	VS001	
Sheet Description: Ceiling Mounted Equipment Plan	Scale: 1/4" = 1'-0"	Sheet 2	of 6



Room Description: Operating Room, Veterinary (VS001)	NSF: 400	VS001	
Sheet Description: Equipment Plan	Scale: 1/4" = 1'-0"	Sheet 3	of 6

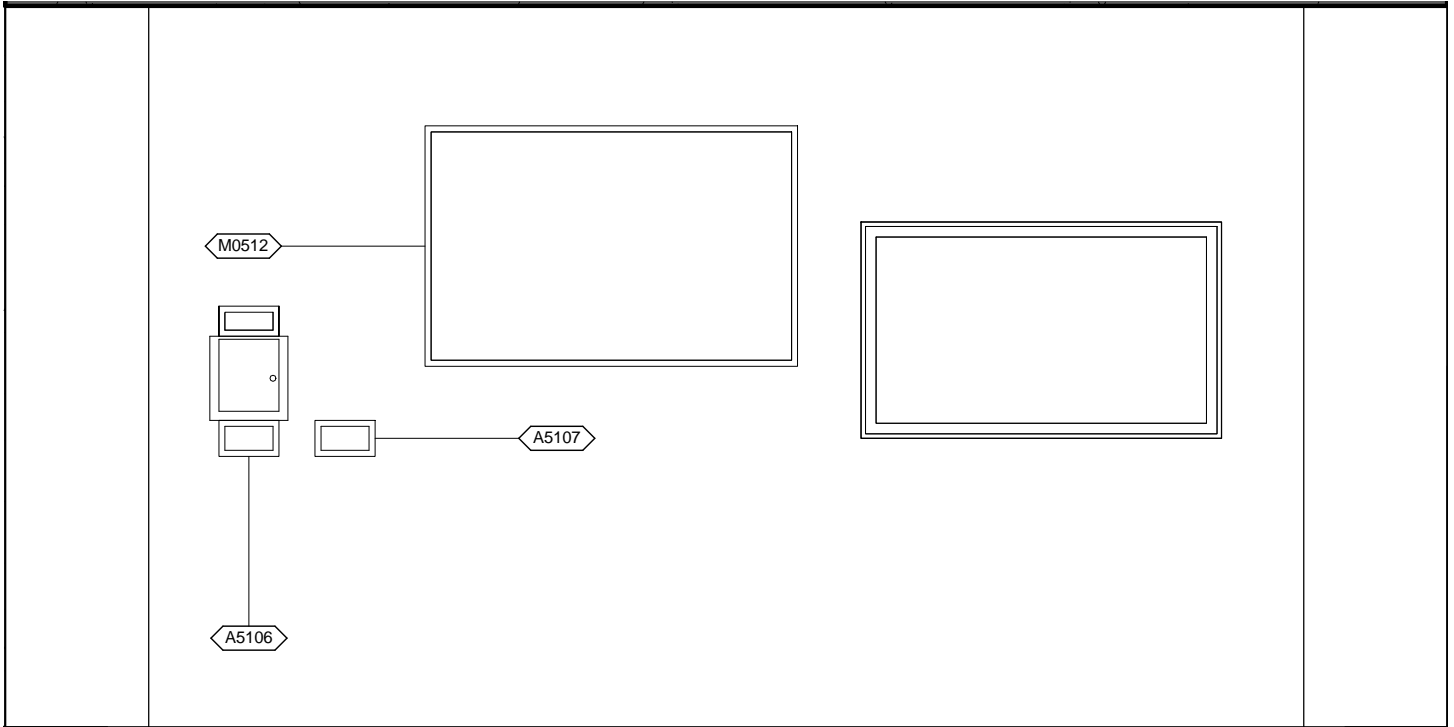


VS001 - NORTH ELEVATION

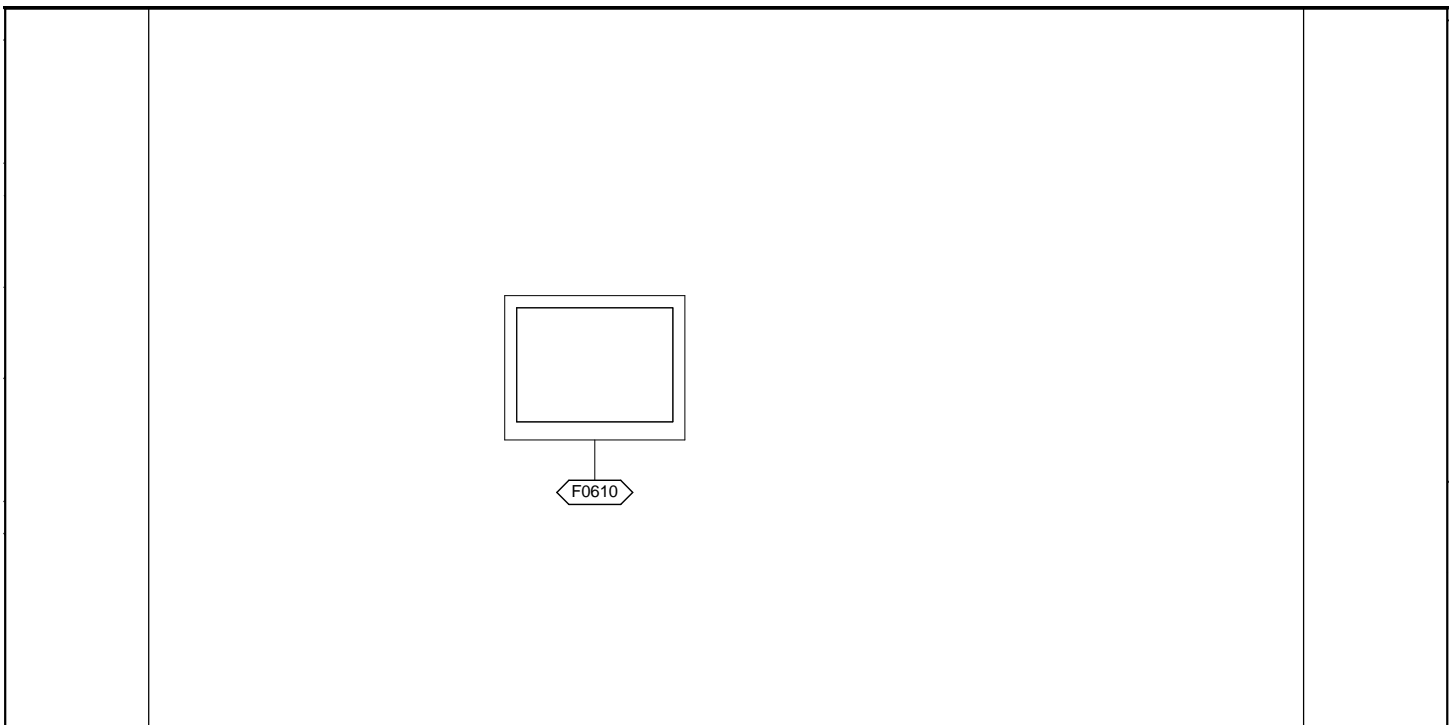


VS001 - SOUTH ELEVATION

Room Description: Operating Room, Veterinary (VS001)	NSF: 400	<h1>VS001</h1>	
Sheet Description: Interior Room Elevations	Scale: 3/8" = 1'-0"	Sheet <h2>4</h2>	of <h2>6</h2>



VS001 - EAST ELEVATION



VS001 - WEST ELEVATION

Room Description: Operating Room, Veterinary (VS001)	NSF: 400	<h1>VS001</h1>	
Sheet Description: Interior Room Elevations	Scale: 3/8" = 1'-0"	Sheet <h2>5</h2>	of <h2>6</h2>

VS001 - EQUIPMENT SCHEDULE 1 of 2

JSN	Nomenclature	Qty	Logistics					Utilities					
			AR	NA	AF	VA	1	2	3	4	5	6	
A1122	Column, Equipment Arm, Ceiling Mounted, Surgery	1	A	A	A	A	-	F	G	-	-	-	
A1130	Cabinet, Control, Nitrogen	1	A	A	A	A	-	B	-	-	-		
A4015	Clock, Elapsed Time, Electric	1	A	A	A	A	-	A	-	-	D		
A5106	Waste Disposal Unit, Sharps w/Glove Dispenser	1	C	A	C	C	-	-	-	-	-		
A5107	Dispenser, Glove, Surgical/Examination, Wall Mntd	1	C	C	C	C	-	-	-	-	-		
E0948	Cart, General Storage, Mobile, 42"H x 32"W x 22"D	2	C	C	C	C	-	-	-	-	-		
F0355	Footstool, Straight	1	C	C	C	C	-	-	-	-	-		
F0610	Desk, Folding, W/M	1	A	A	A	A	-	-	-	-	-		
F3200	Clock, Battery, 12" Diameter	1	C	C	C	C	-	-	-	-	-		
M0512	Television, HDTV, Large Screen, 60"	1	C	C	C	C	-	A	-	-	-		
M3175	Electrosurgical Unit, Dual Output	1	C	C	C	C	-	A	-	-	-		
M3340	Backtable	1	C	C	C	C	-	-	-	-	-		
M4250	Pump, Syringe, Infusion	1	C	C	C	C	-	A	-	-	-		
M4255	Stand, IV, Adjustable	2	C	C	C	C	-	-	-	-	-		
M4266	Pump, Volumetric, Infusion, Multiple Line	2	C	C	C	C	-	A	-	-	-		
M4816	Warming Unit, Patient, Automatic Manual, Air	1	C	C	C	C	-	A	-	-	-		
M5030	Stool, Surgeon, Revolving	2	C	C	C	C	-	-	-	-	-		
M7490	Light, Surg, Ceiling Mtd, Dual, Unequal Dia Heads	1	A	A	A	A	-	F	-	-	-		
M8755	Aspirator, Low Pressure/Low Volume, Surgical	1	C	C	C	C	-	A	-	-	-		
M8805	Table, Instrument, Straddle	1	C	C	C	C	-	-	-	-	-		
M8810	Stand, Mayo	2	C	C	C	C	-	-	-	-	-		
M8820	Table, Instrument/Dressing, CRS	1	C	C	C	C	-	-	-	-	-		
M8900	Carriage, Pail, CRS, Without Pail	2	C	C	C	C	-	-	-	-	-		
M8905	Pail, Utility, CRS, Without Carriage	2	C	C	C	C	-	-	-	-	-		
V0030	Table, Operating, Veterinary, Hydraulic	1	C	C	C	C	-	A	-	-	-		
V0150	Anesthesia/Ventilator System, Veterinary	1	C	C	C	C	-	A	-	-	-		
X4112	Console, PACS, Remote View, 1k X 1k, 2 Monitors	1	F	F	F	F	-	B	-	-	-		

Room Description: Operating Room, Veterinary (VS001)	NSF: 400	VS001	
Sheet Description: Equipment Schedule	Scale:	Sheet 6	of 6