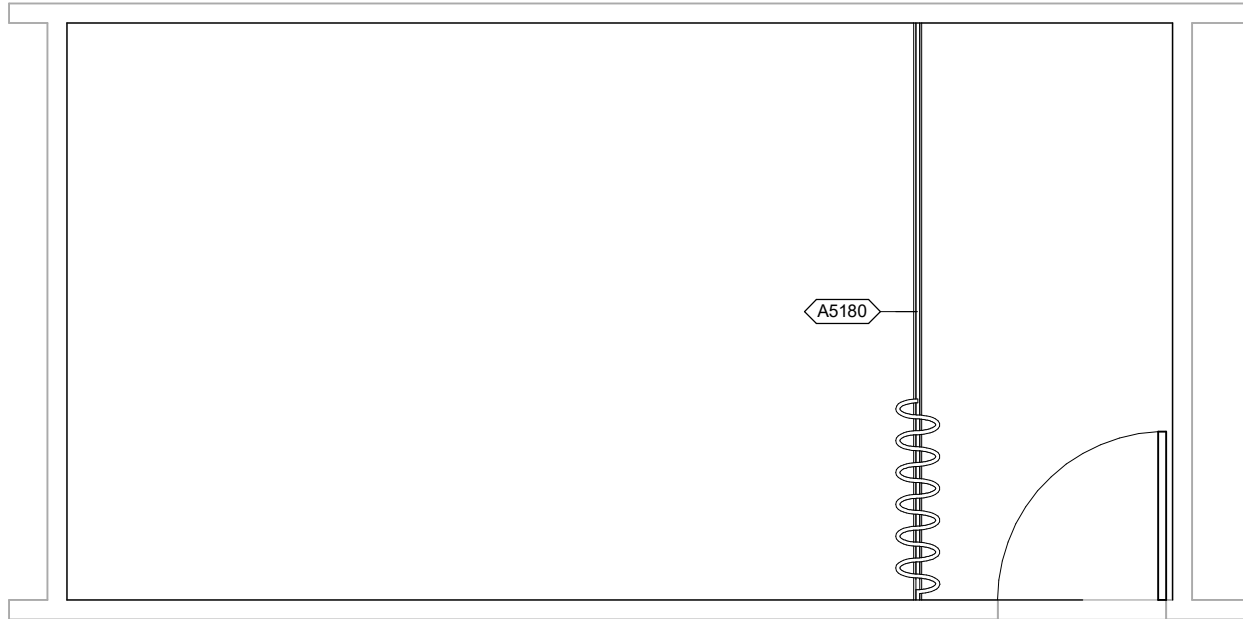
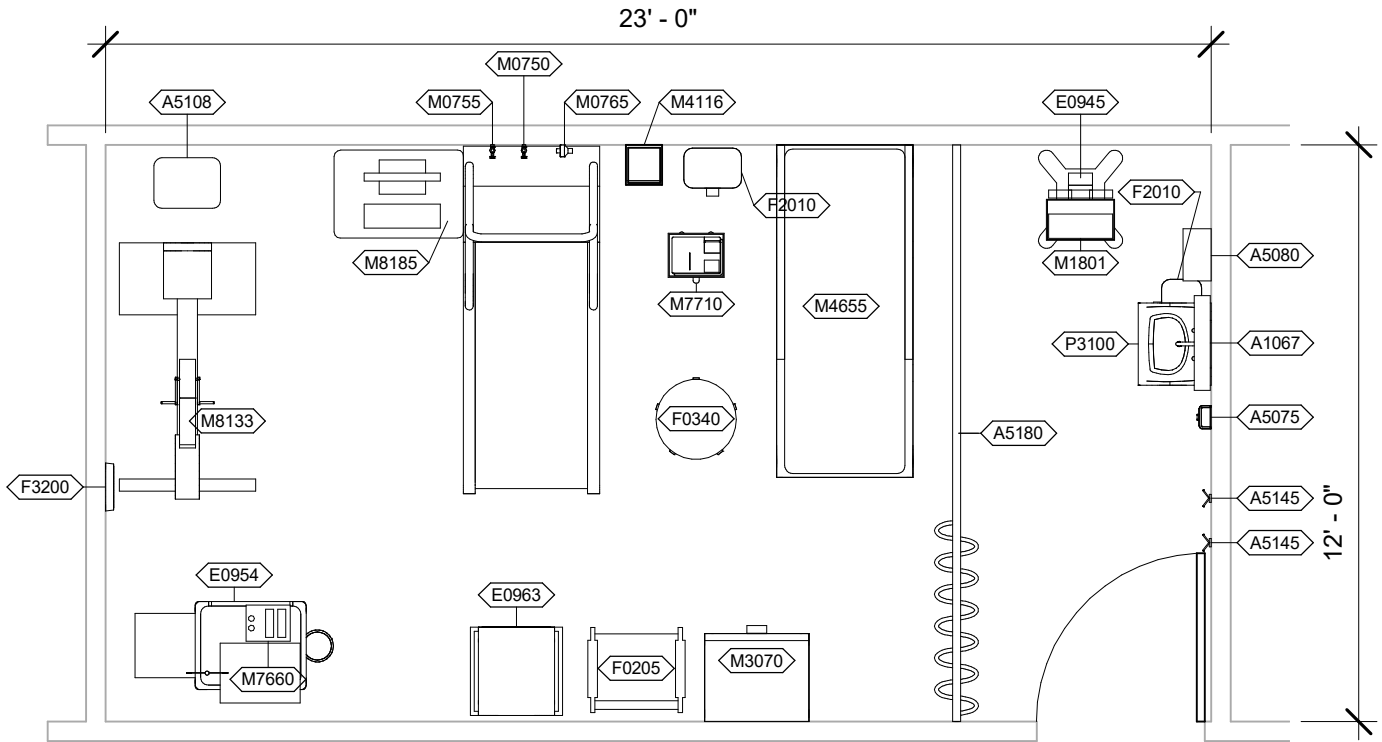


Room Description: Stress Testing, Treadmill (OPTM1)	NSF: 275	OPTM1	
Sheet Description: Room/Equipment Isometric	Scale:	Sheet 1	of 6



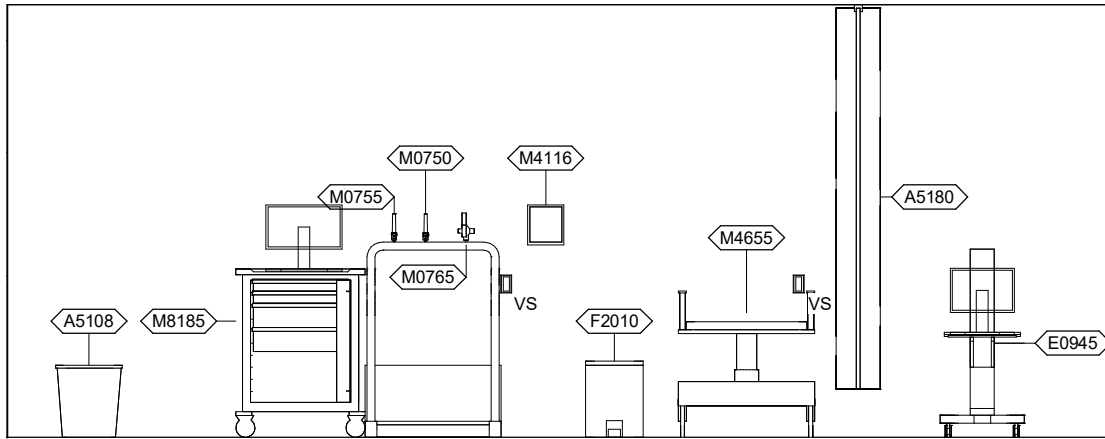
OPTM1 - CEILING MOUNTED EQUIPMENT PLAN

Room Description: Stress Testing, Treadmill (OPTM1)	NSF: 275	OPTM1	
Sheet Description: Ceiling Mounted Equipment Plan	Scale: 1/4" = 1'-0"	Sheet 2	of 6

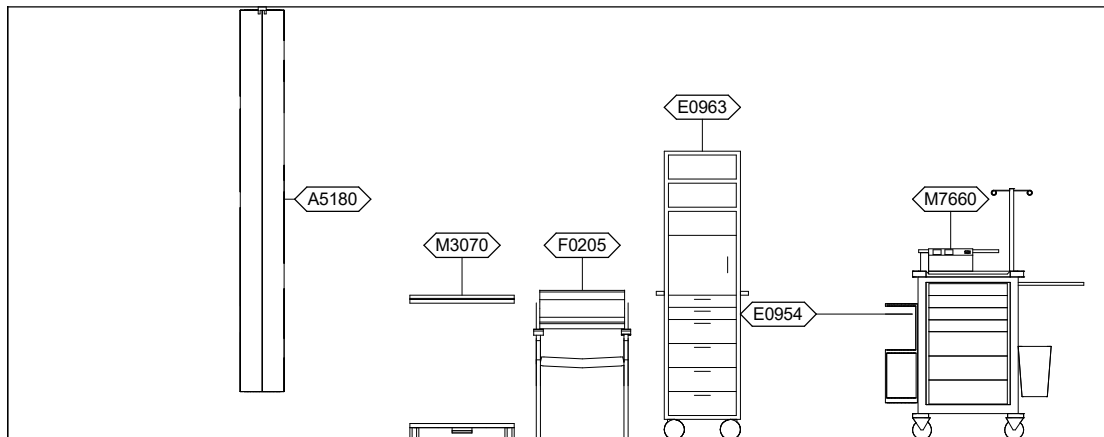


OPTM1 - NOTES

Room Description: Stress Testing, Treadmill (OPTM1)	NSF: 275	OPTM1	
Sheet Description: Equipment Plan	Scale: 1/4" = 1'-0"	Sheet 3	of 6

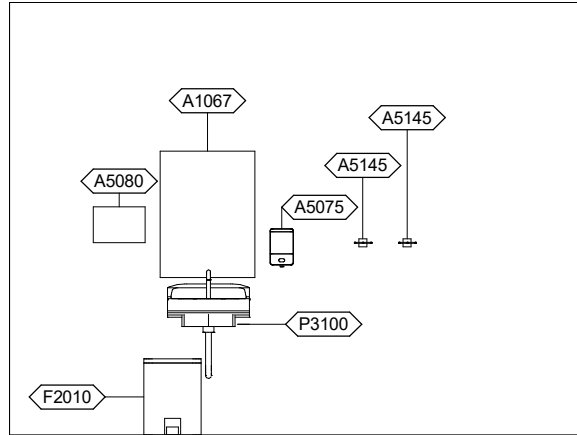


OPTM1 - NORTH ELEVATION

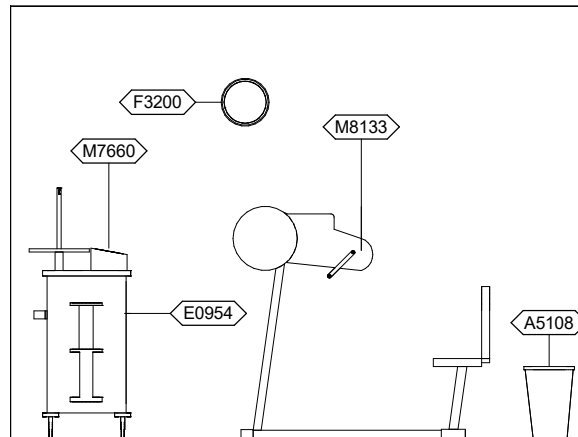


OPTM1 - SOUTH ELEVATION

Room Description: Stress Testing, Treadmill (OPTM1)	NSF: 275	OPTM1	
Sheet Description: Interior Room Elevations	Scale: 1/4" = 1'-0"	Sheet 4	of 6



OPTM1 - EAST ELEVATION



OPTM1 - WEST ELEVATION

Room Description: Stress Testing, Treadmill (OPTM1)	NSF: 275	OPTM1	
Sheet Description: Interior Room Elevations	Scale: 1/4" = 1'-0"	Sheet 5	of 6

OPTM1 - EQUIPMENT SCHEDULE

JSN	Nomenclature	Qty	LF	Funding Category	LOGCAT
A1067	Mirror, Float Glass, ADA Accessible	1		RPIE	A
A5075	Dispenser, Soap, Disposable	1		PP	C
A5080	Dispenser, Paper Towel, SS, Surface Mounted	1		RPIE	A
A5108	Waste Disposal Unit, Sharps	1		PP	C
A5145	Hook, Garment, Double, SS, Surface Mounted	2		RPIE	A
A5180	Track, Cubicle, Surface Mounted, With Curtain	1	10'-0"	PP	C
E0945	Mobile, Workstation	1		PP	C
E0954	Cart, Emergency, Mobile, 66"H x 52"W x 22"D	1		PP	C
E0963	Cart, General Storage, Mobile	1		PP	C
F0205	Chair, Side With Arms	1		PP	C
F0340	Stool, Self Adjusting	1		PP	C
F2010	Basket, Wastepaper, Step-On	2		PP	C
F3200	Clock, Battery, 12" Diameter	1		PP	C
M0750	Flowmeter, Air, Connect w/50 PSI Supply	1		PP	C
M0755	Flowmeter, Oxygen, Low Flow	1		PP	C
M0765	Regulator, Vacuum	1		PP	C
M1801	Computer, Microprocessing, w/Flat Panel Monitor	1		PP	C
M3070	Hamper, Linen, Mobile, w/Lid	1		PP	C
M4116	Monitor, Vital Signs	1		PP	C
M4655	Stretcher, Mobile, CRS, 9 Position	1		PP	C
M7660	Defibrillator/Monitor/Recorder, Portable	1		PP	C
M7710	Electrocardiograph, 12 Lead, Portable	1		PP	C
M8133	Ergometer, Upper Body	1		PP	C
M8185	System, Stress Exercise, w/Treadmill	1		PP	C
P3100	Lavatory, Vitreous China, Slab Type	1		RPIE	A

Room Description: Stress Testing, Treadmill (OPTM1)	NSF: 275	OPTM1	
Sheet Description: Equipment Schedule	Scale:	Sheet 6	of 6