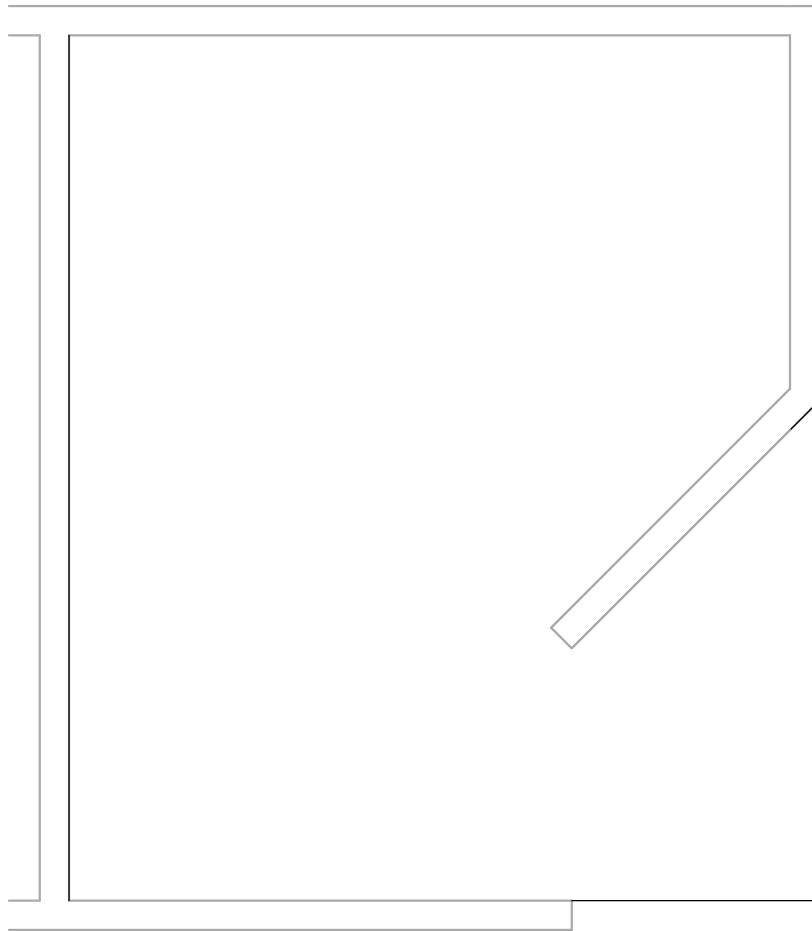


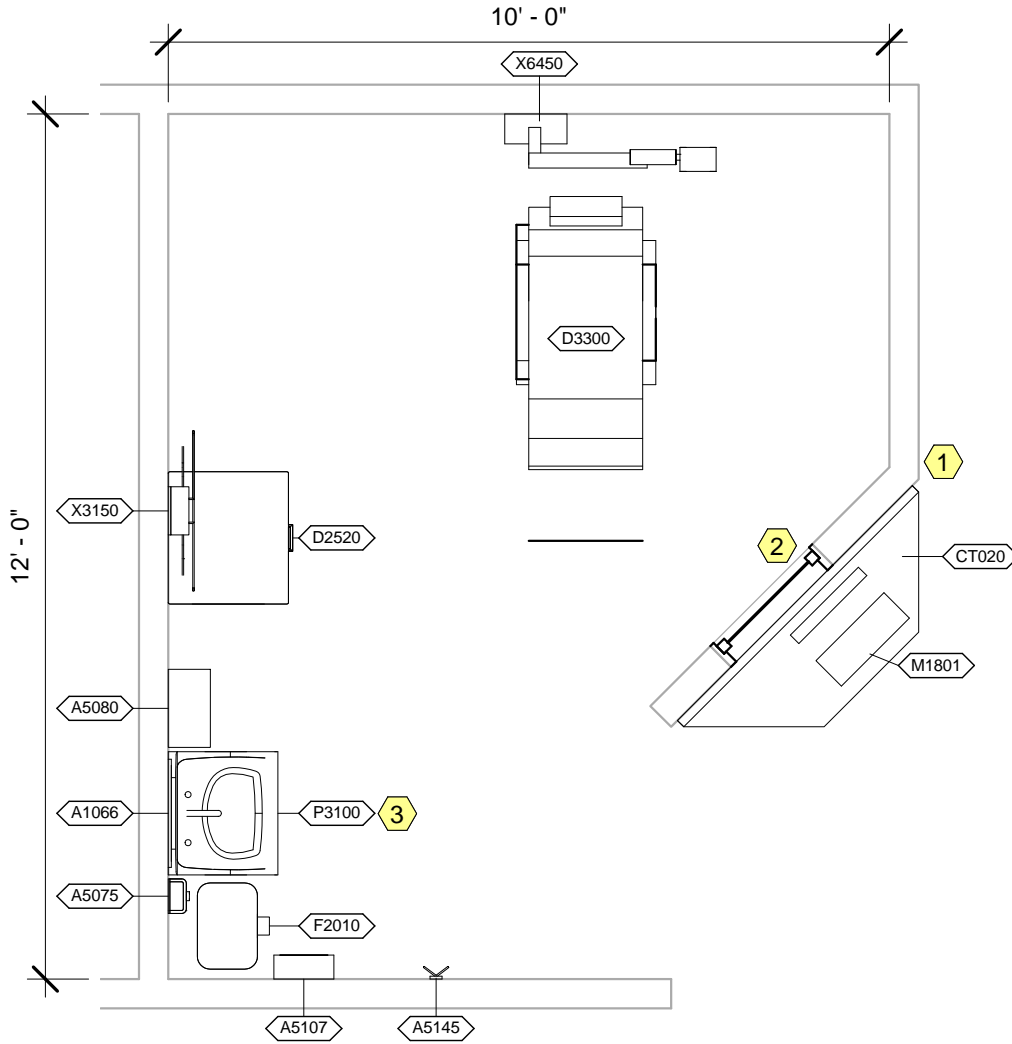


| | | | |
|---|-----------------|-------------------|----------------|
| Room Description: Dental XRay, Intraoral (DNXI1) | NSF: 120 | DNXI1 | |
| Sheet Description: Room/Equipment Isometric | Scale: | Sheet 1 | of 5 |



DNX11 - CEILING MOUNTED EQUIPMENT PLAN

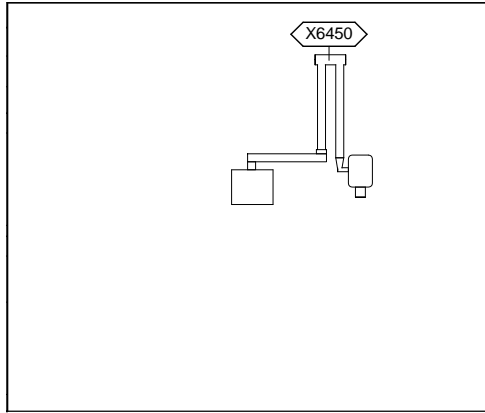
| | | | |
|--|----------------------------|-------------------|----------------|
| Room Description: Dental XRay, Intraoral (DNX11) | NSF: 120 | DNX11 | |
| Sheet Description: Ceiling Mounted Equipment Plan | Scale: 3/8" = 1'-0" | Sheet 2 | of 5 |



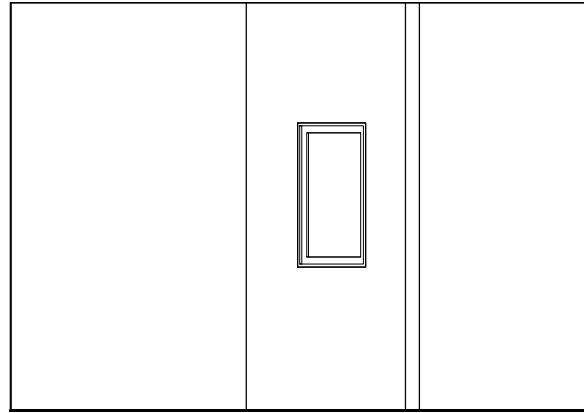
DNXI1 - NOTES

- 1 X-Ray Remote Control Unit
- 2 Lead Glass View Window
- 3 JSN P8710, Utility Center, shall be included in Navy projects only.

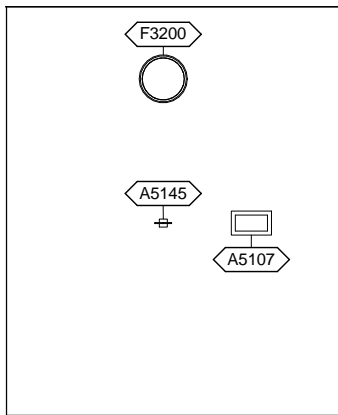
| | | | |
|---|----------------------------|-------------------|----------------|
| Room Description: Dental XRay, Intraoral (DNXI1) | NSF: 120 | DNXI1 | |
| Sheet Description: Equipment Plan | Scale: 3/8" = 1'-0" | Sheet 3 | of 5 |



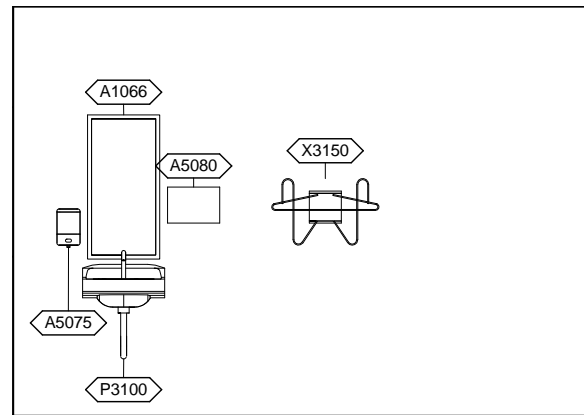
DNX11 - NORTH ELEVATION



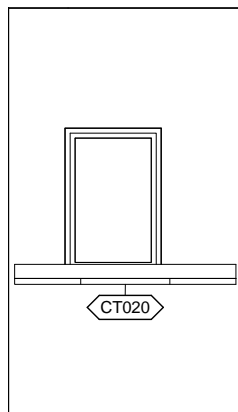
DNX11 - EAST ELEVATION



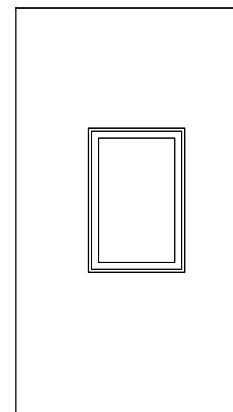
DNX11 - SOUTH ELEVATION



DNX11 - WEST ELEVATION



DNX11 - ANGLED ELEVATION



DNX11 - ANGLED (REVERSE) ELEVATION

| | | | |
|---|----------------------------|-------------------|----------------|
| Room Description: Dental XRay, Intraoral (DNX11) | NSF: 120 | DNX11 | |
| Sheet Description: Interior Room Elevations | Scale: 1/4" = 1'-0" | Sheet 4 | of 5 |

DNXI1 - EQUIPMENT SCHEDULE

| JSN | Nomenclature | Qty | LF | AR | Logistics | | | Utilities | | | | | | |
|-------|---|-----|-------|----|-----------|----|----|-----------|---|---|---|---|---|---|
| | | | | | NA | AF | VA | 1 | 2 | 3 | 4 | 5 | 6 | |
| A1066 | Mirror, Float Glass, With SS Frame | 1 | | A | A | A | A | - | - | - | - | - | - | - |
| A5075 | Dispenser, Soap, Disposable | 1 | | C | C | C | C | - | - | - | - | - | - | - |
| A5080 | Dispenser, Paper Towel, SS, Surface Mounted | 1 | | A | A | A | A | - | - | - | - | - | - | - |
| A5107 | Dispenser, Glove, Surgical/Examination, Wall Mntd | 1 | | C | C | C | C | - | - | - | - | - | - | - |
| A5145 | Hook, Garment, Double, SS, Surface Mounted | 1 | | A | A | A | A | - | - | - | - | - | - | - |
| CT020 | Countertop, Solid Surface, Angled | 1 | 4'-0" | A | A | A | A | - | - | - | - | - | - | - |
| D2520 | Cabinet, Mobile, Storage/Assistant, Dental | 1 | | C | C | C | C | - | - | - | - | - | - | - |
| D3300 | Chair, Radiographic, Dental | 1 | | C | C | C | C | - | A | - | - | - | - | - |
| F2010 | Basket, Wastepaper, Step-On | 1 | | C | C | C | C | - | - | - | - | - | - | - |
| F3200 | Clock, Battery, 12" Diameter | 1 | | C | C | C | C | - | - | - | - | - | - | - |
| M1801 | Computer, Microprocessing, w/Flat Panel Monitor | 1 | | C | C | C | C | - | A | - | - | - | - | - |
| P3100 | Lavatory, Vitreous China, Slab Type | 1 | | A | A | A | A | D | - | - | - | - | - | - |
| X3150 | Rack, Apron/Gloves, Wall Mounted | 1 | | A | A | A | A | - | - | - | - | - | - | - |
| X6450 | Radiographic Unit, Dental, Wall Mounted, 15 mA | 1 | | F | F | F | F | - | B | - | - | - | - | B |

| | | | |
|---|-----------------|-------------------|----------------|
| Room Description: Dental XRay, Intraoral (DNXI1) | NSF: 120 | DNXI1 | |
| Sheet Description: Equipment Schedule | Scale: | Sheet 5 | of 5 |