

Room Description: Dental Treatment Room, Multi-Chair (DNTG4)

NSF: 380

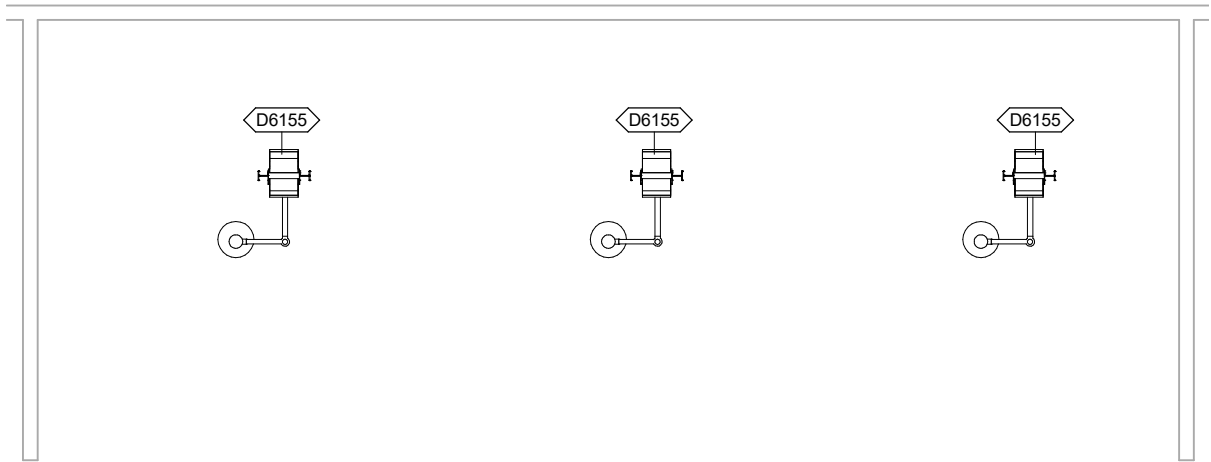
DNTG4

Sheet Description: Room/Equipment Isometric

Scale:

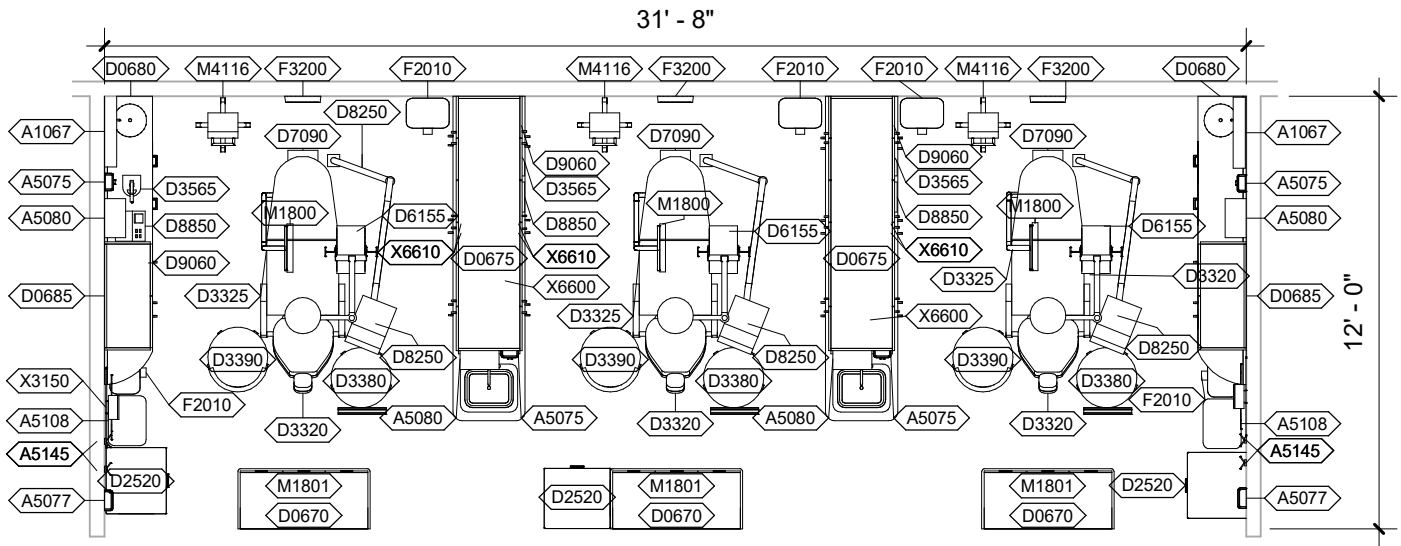
Sheet
1

of
5



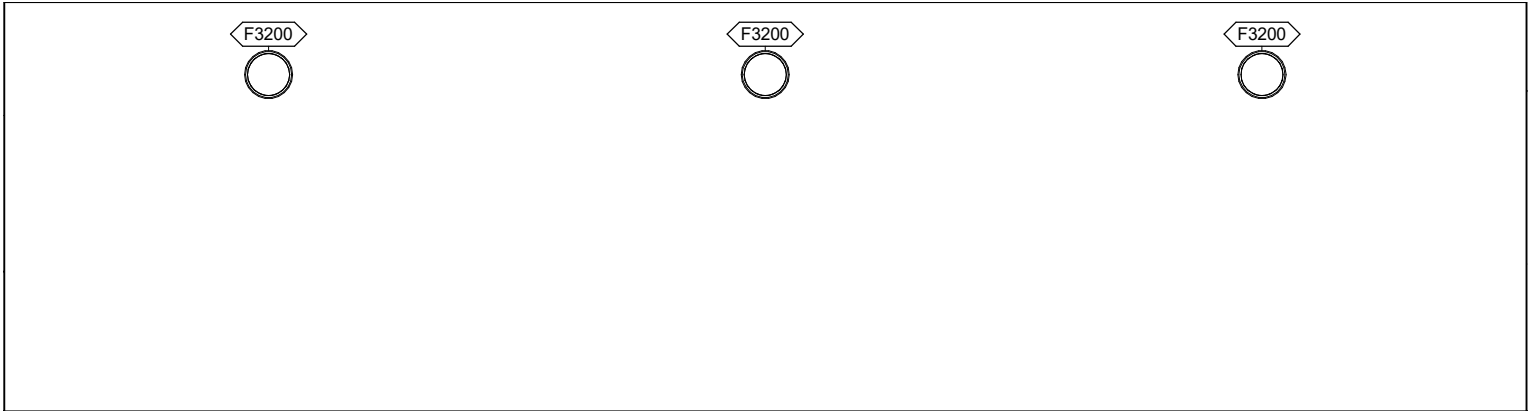
DNTG4 - CEILING MOUNTED EQUIPMENT PLAN

Room Description: Dental Treatment Room, Multi-Chair (DNTG4)	NSF: 380	DNTG4	
Sheet Description: Ceiling Mounted Equipment Plan	Scale: 3/16" = 1'-0"	Sheet 2	of 5

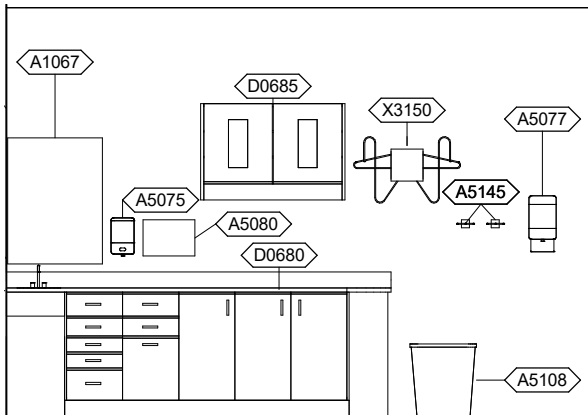


DNTG4 - NOTES

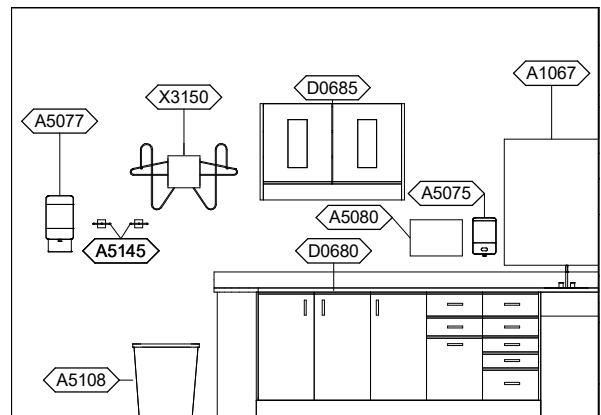
Room Description: Dental Treatment Room, Multi-Chair (DNTG4)	NSF: 380	DNTG4	
Sheet Description: Equipment Plan	Scale: 3/16" = 1'-0"	Sheet 3	of 5



DNTG4 - NORTH ELEVATION



DNTG4 - EAST ELEVATION



DNTG4 - WEST ELEVATION

Room Description: Dental Treatment Room, Multi-Chair (DNTG4)	NSF: 380	<h1>DNTG4</h1>	
Sheet Description: Interior Room Elevations	Scale: 1/4" = 1'-0"	Sheet <h2>4</h2>	of <h2>5</h2>

DNTG4 - EQUIPMENT SCHEDULE

JSN	Nomenclature	Qty	LF	Funding Category	LOGCAT
A1067	Mirror, Float Glass, ADA Accessible	2		RPIE	A
A5075	Dispenser, Soap, Disposable	4		PP	C
A5077	Dispenser, Hand Sanitizer, Hands free	2		PP	C
A5080	Dispenser, Paper Towel, SS, Surface Mounted	4		RPIE	A
A5108	Waste Disposal Unit, Sharps	2		RPIE	A
A5145	Hook, Garment, Double, SS, Surface Mounted	4		RPIE	A
D0670	Console, Treatment Unit, Dental Operator	3		RPIE	A
D0675	Console, Central, Dual Access, Dental Operator	2		RPIE	A
D0680	Console, Accessory/Side, Dental Operator	2		RPIE	A
D0685	Cabinet, Storage, Dental Operator, Wall MNTD	2		RPIE	A
D2520	Cabinet, Mobile, Storage/Assistant, Dental	3		PP	C
D3320	Chair, Operating, Dental	3		PP	C
D3325	Mount, Monitor, Dental Chair	3		PP	C
D3380	Stool, Operating, Dental, Doctor	3		PP	C
D3390	Stool, Operating, Dental, Assistant	3		PP	C
D3565	Resin Curing Unit, Visible Light	3		PP	C
D6155	Light, Dental, Operating, Ceiling, Column	3		RPIE	A
D7090	Utility Center, Dental, Wall or Floor Mounted	3		RPIE	A
D8250	Delivery System, Dental Operating	3		PP	C
D8850	Amalgamator, Dental	3		PP	C
D9060	Prophylaxis Unit, Ultrasonic	3		PP	C
F2010	Basket, Wastepaper, Step-On	5		PP	C
F3200	Clock, Battery, 12" Diameter	3		PP	C
M1800	Computer, Microprocessing, w/Flat Panel Monitor	3		PP	C
M1801	Computer, Microprocessing, w/Flat Panel Monitor	3		PP	C
M4116	Monitor, Vital Signs	3		PP	C
X3150	Rack, Apron-Gloves, Wall-Mounted	2		RPIE	A
X6600	Radiographic Unit, Dental, Wall Mounted, 7 mA	2		PP	C
X6610	Sensor, Dental Imaging System	6		PP	C

Room Description: Dental Treatment Room, Multi-Chair (DNTG4)	NSF: 380	DNTG4	
Sheet Description: Equipment Schedule	Scale:	Sheet 5	of 5