

Room Description: Treatment Room, General, 1 Bed (TRGM1)

NSF: 175

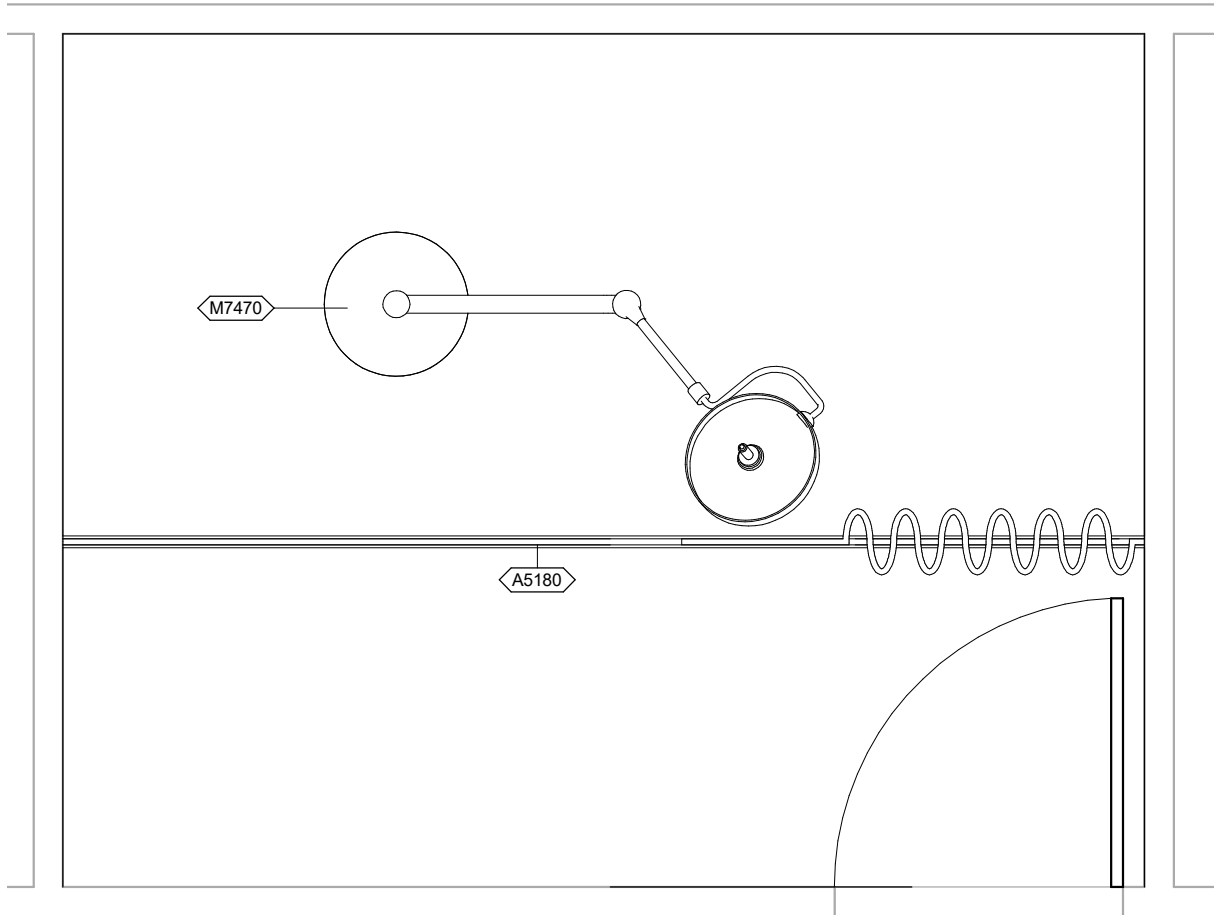
TRGM1

Sheet Description: Room/Equipment Isometric

Scale:

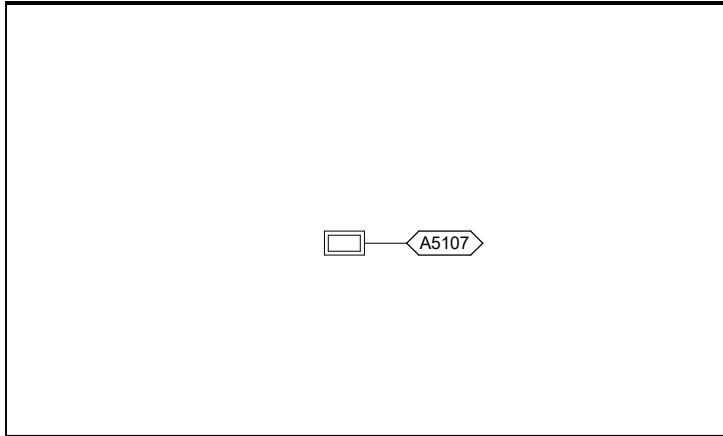
Sheet
1

of
5

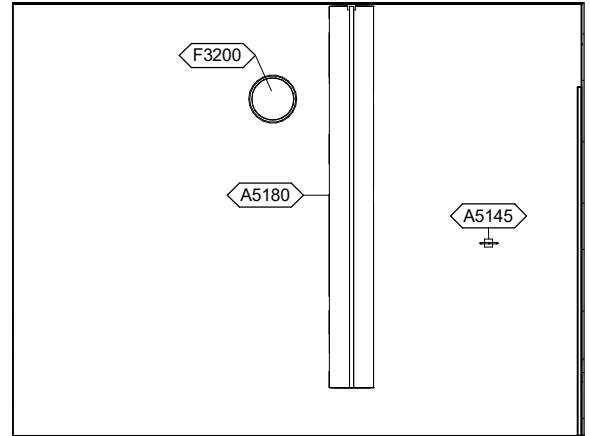


TRGM1 - CEILING MOUNTED EQUIPMENT PLAN

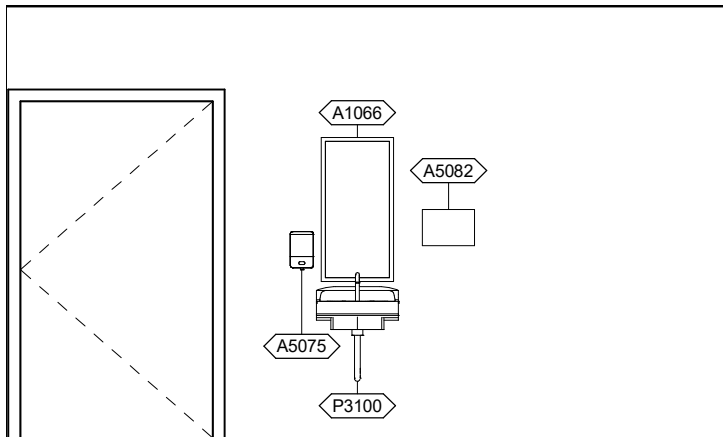
Room Description: Treatment Room, General, 1 Bed (TRGM1)	NSF: 175	TRGM1	
Sheet Description: Ceiling Mounted Equipment Plan	Scale: 3/8" = 1'-0"	Sheet 2	of 5



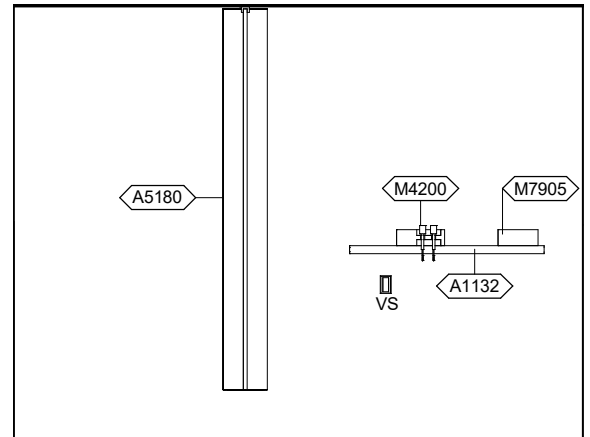
TRGM1 - NORTH ELEVATION



TRGM1 - EAST ELEVATION



TRGM1 - SOUTH ELEVATION



TRGM1 - WEST ELEVATION

Room Description: Treatment Room, General, 1 Bed (TRGM1)

NSF: 175

TRGM1

Sheet Description: Interior Room Elevations

Scale: 1/4" = 1'-0"

Sheet
4

of
5

TRGM1 - EQUIPMENT SCHEDULE

JSN	Nomenclature	Qty	LF	Funding Category	LOGCAT
A1066	Mirror, Float Glass, With SS Frame	1		RPIE	A
A1132	Rail, Accessory Mounting, 48"	1	4'-0"	PP	C
A5075	Dispenser, Soap, Disposable	1		PP	C
A5082	Dispenser, Paper Towel, Sensor, Hands Free	1		RPIE	A
A5107	Dispenser, Glove, Surgical/Examination, Wall Mntd	1		PP	C
A5108	Waste Disposal Unit, Sharps	1		PP	C
A5145	Hook, Garment, Double, SS, Surface Mounted	1		RPIE	A
A5180	Track, Cubicle, Surface Mounted, With Curtain	1	15'-0"	RPIE	A
E0945	Mobile, Workstation	1		PP	C
E0948	Cart, General Storage, Mobile, 42"H x 32"W x 22"D	1		PP	C
F0205	Chair, Side With Arms	1		PP	C
F0340	Stool, Self Adjusting	1		PP	C
F2010	Basket, Wastepaper, Step-On	1		PP	C
F3200	Clock, Battery, 12" Diameter	1		PP	C
M1801	Computer, Microprocessing, w/Flat Panel Monitor	1		PP	C
M3073	Basket, Infectious Waste, Step-On	1		PP	C
M4116	Monitor, Vital Signs	1		PP	C
M4200	Otoscope/Ophthalmoscope, Wall Mounted	1		PP	C
M4255	Stand, IV, Adjustable	1		PP	C
M4665	Stretcher, Recovery, Surgical	1		PP	C
M7470	Light, Surgical, Ceiling, Single, Small	1		RPIE	A
M7905	Oximeter, Pulse	1		PP	C
M8810	Stand, Mayo	1		PP	C
P3100	Lavatory, Vitreous China, Slab Type	1		RPIE	A

Room Description: Treatment Room, General, 1 Bed (TRGM1)	NSF: 175	TRGM1	
Sheet Description: Equipment Schedule	Scale:	Sheet 5	of 5