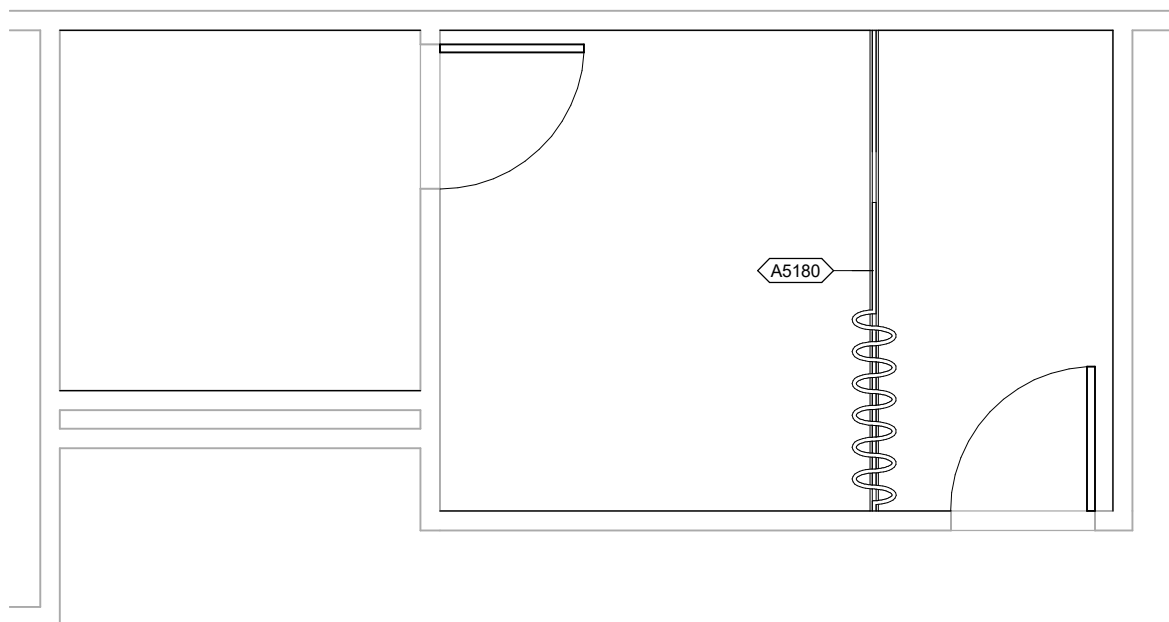
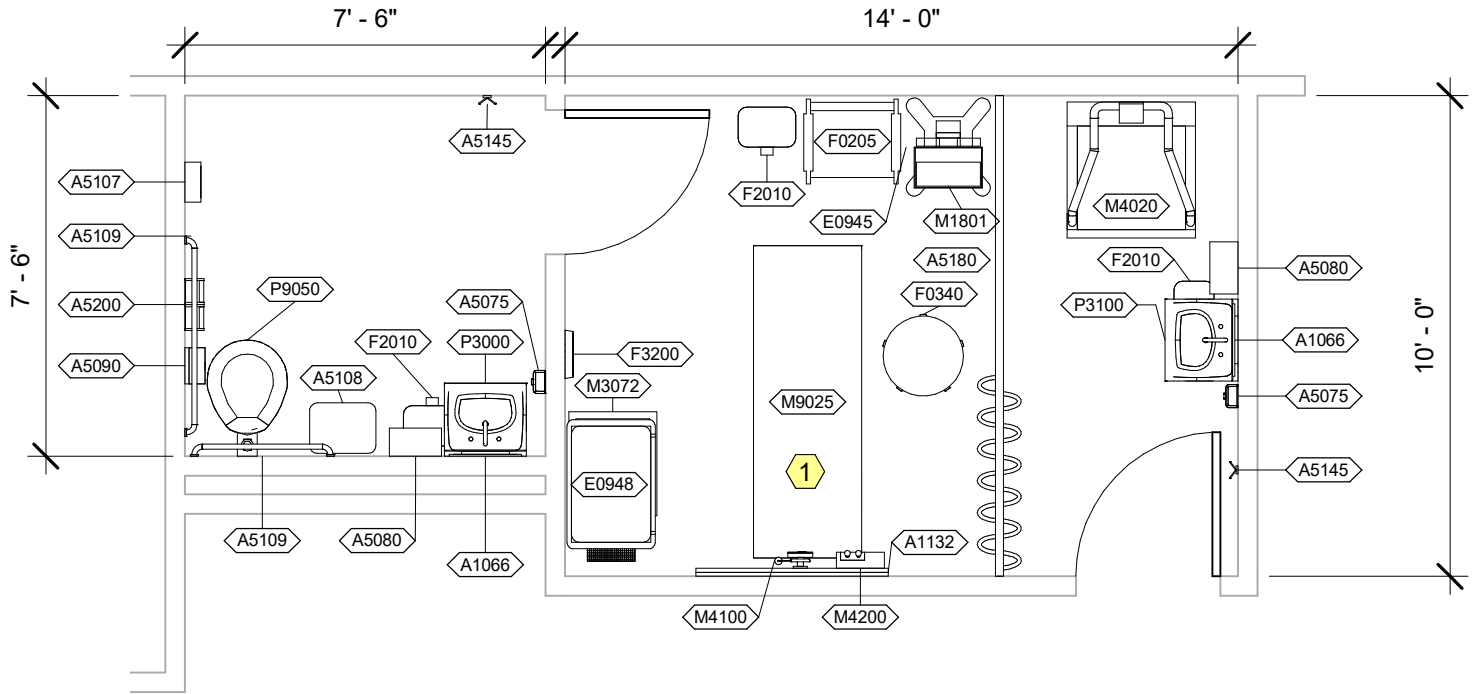


<p><b>Room</b> Exam, Isolation, Negative Pressure (EXRG6)  <b>Description:</b> Toilet, Unisex (TLTU1)</p>	<p><b>NSF:</b> 140 60</p>	<p><b>EXRG6/TLTU1</b></p>	
<p><b>Sheet</b>  <b>Description:</b> Room/Equipment Isometric</p>	<p><b>Scale:</b></p>	<p>Sheet 1</p>	<p>of 6</p>



**EXRG6/TLTU1 - CEILING MOUNTED EQUIPMENT PLAN**

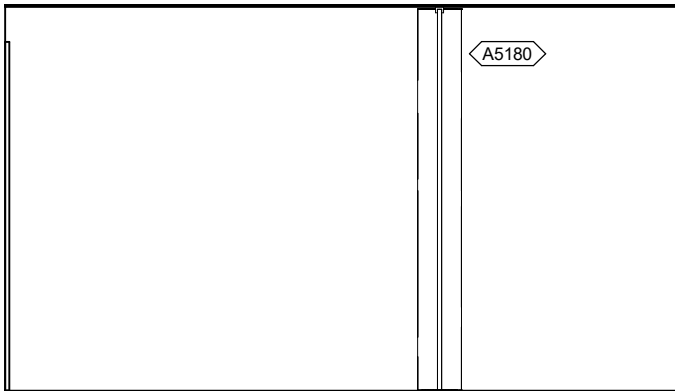
<b>Room</b> Exam, Isolation, Negative Pressure (EXRG6) <b>Description:</b> Toilet, Unisex (TLTU1)	<b>NSF:</b> 140 60	<b>EXRG6/TLTU1</b>	
<b>Sheet</b> <b>Description:</b> Ceiling Mounted Equipment Plan	<b>Scale:</b> 1/4" = 1'-0"	Sheet <b>2</b>	of <b>6</b>



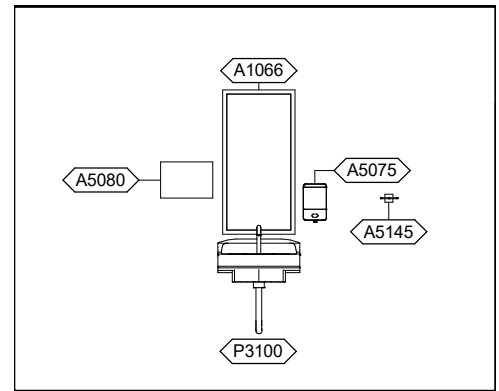
**EXRG6/TLTU1 - NOTES**

1 In Pediatrics use, JSN M9020, Table Exam Peds with Scale.

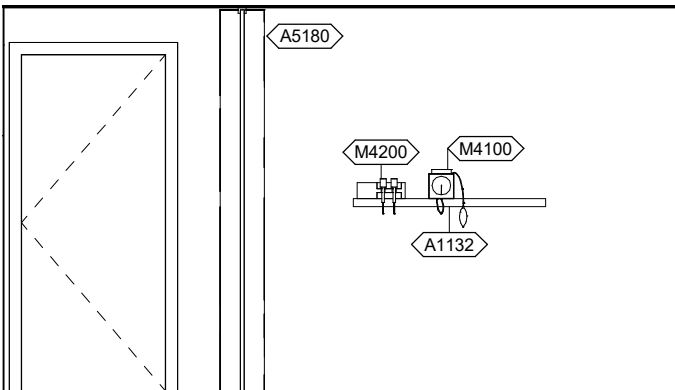
<b>Room</b> Exam, Isolation, Negative Pressure (EXRG6) <b>Description:</b> Toilet, Unisex (TLTU1)	<b>NSF:</b> 140 60	<b>EXRG6/TLTU1</b>	
<b>Sheet</b> <b>Description:</b> Equipment Plan	<b>Scale:</b> 1/4" = 1'-0"	Sheet <b>3</b>	of <b>6</b>



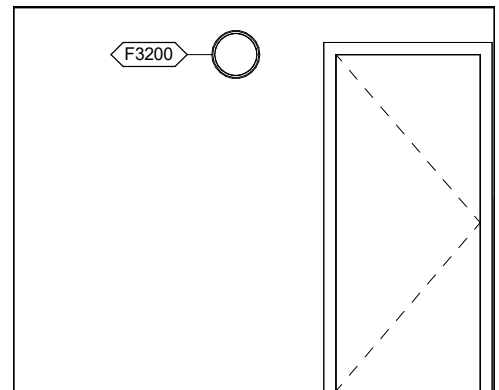
EXRG6 - NORTH ELEVATION



EXRG6 - EAST ELEVATION

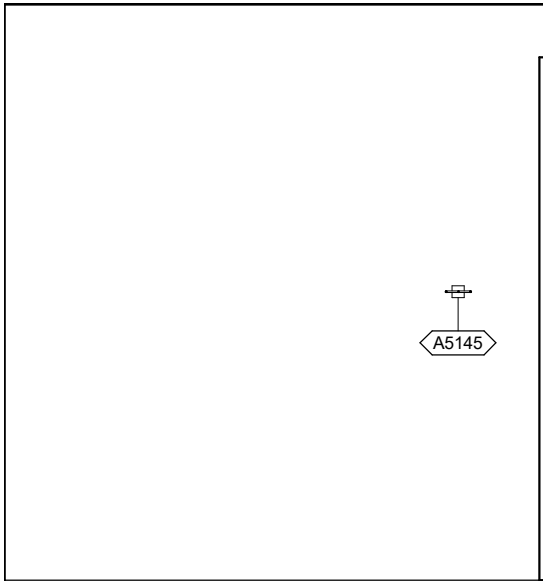


EXRG6 - SOUTH ELEVATION

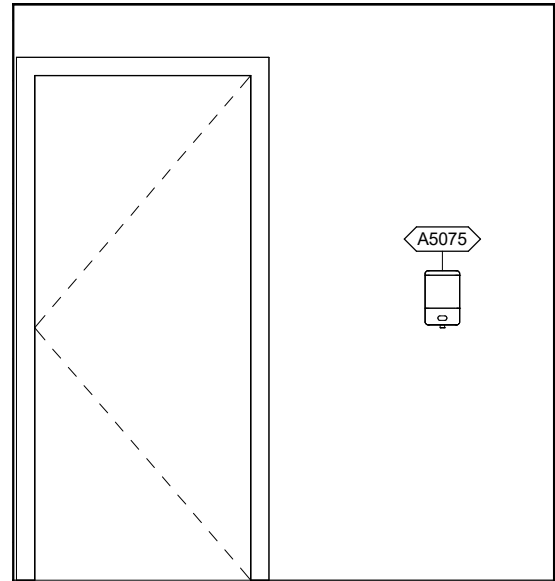


EXRG6 - WEST ELEVATION

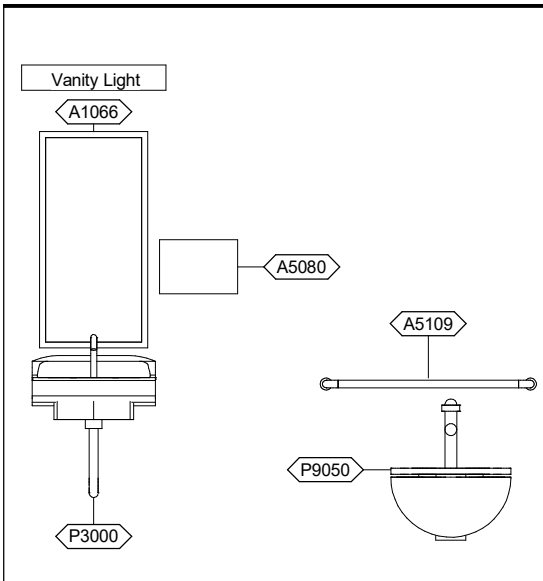
<b>Room</b> Exam, Isolation, Negative Pressure (EXRG6) <b>Description:</b> Toilet, Unisex (TLTU1)	<b>NSF:</b> 140 60	<b>EXRG6/TLTU1</b>	
<b>Sheet</b> <b>Description:</b> Interior Room Elevations	<b>Scale:</b> 1/4" = 1'-0"	Sheet <b>4</b>	of <b>6</b>



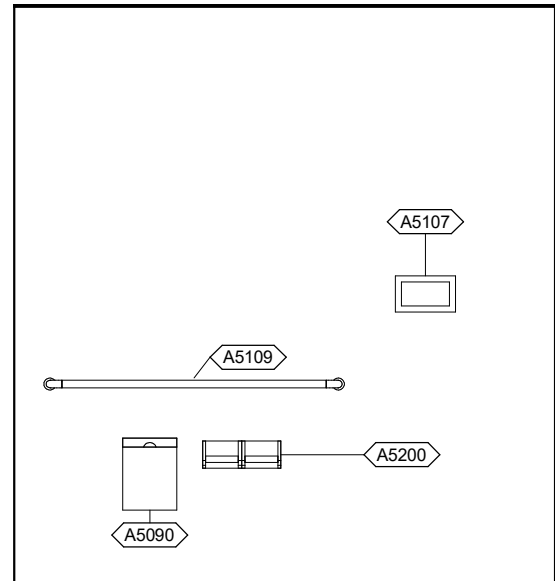
TLTU1 - NORTH ELEVATION



TLTU1 - EAST ELEVATION



TLTU1 - SOUTH ELEVATION



TLTU1 - WEST ELEVATION

<b>Room</b> Exam, Isolation, Negative Pressure (EXRG6) <b>Description:</b> Toilet, Unisex (TLTU1)	<b>NSF:</b> 140 60	<b>EXRG6/TLTU1</b>	
<b>Sheet</b> <b>Description:</b> Interior Room Elevations	<b>Scale:</b> 3/8" = 1'-0"	Sheet <b>5</b>	of <b>6</b>

EXRG6 - EQUIPMENT SCHEDULE

JSN	Nomenclature	Qty	LF	Funding Category	LOGCAT
A1066	Mirror, Float Glass, With SS Frame	1		RPIE	A
A1132	Rail, Accessory Mounting, 48"	1	4'-0"	PP	C
A5075	Dispenser, Soap, Disposable	1		PP	C
A5080	Dispenser, Paper Towel, SS, Surface Mounted	1		RPIE	A
A5145	Hook, Garment, Double, SS, Surface Mounted	1		RPIE	A
A5180	Track, Cubicle, Surface Mounted, With Curtain	1	10'-0"	RPIE	A
E0945	Mobile, Workstation	1		PP	C
E0948	Cart, General Storage, Mobile, 42"H x 32"W x 22"D	1		PP	C
F0205	Chair, Side With Arms	1		PP	C
F0340	Stool, Self Adjusting	1		PP	C
F2010	Basket, Wastepaper, Step-On	2		PP	C
F3200	Clock, Battery, 12" Diameter	1		PP	C
M1801	Computer, Microprocessing, w/Flat Panel Monitor	1		PP	C
M3072	Frame, Infectious Waste Bag w/Lid	1		PP	C
M4020	Scale, Person Weighing, High Capacity	1		PP	C
M4100	Sphygmomanometer, Aneroid, Wall Mounted	1		PP	C
M4200	Otoscope/Ophthalmoscope, Wall Mounted	1		PP	C
M9025	Table, Examination/Treatment, With Cabinet	1		PP	C
P3100	Lavatory, Vitreous China, Slab Type	1		RPIE	A

TLTU1 - EQUIPMENT SCHEDULE

JSN	Nomenclature	Qty	LF	Funding Category	LOGCAT
A1066	Mirror, Float Glass, With SS Frame	1		RPIE	A
A5075	Dispenser, Soap, Disposable	1		PP	C
A5080	Dispenser, Paper Towel, SS, Surface Mounted	1		RPIE	A
A5090	Disposal, Sanitary Napkin, SS, Surface Mounted	1		RPIE	A
A5107	Dispenser, Glove, Surgical/Examination, Wall Mntd	1		PP	C
A5108	Waste Disposal Unit, Sharps	1		PP	C
A5109	Grab Bar, 1-1/4" Dia., SS, 2 Wall, W/C Accessible	2		RPIE	A
A5145	Hook, Garment, Double, SS, Surface Mounted	1		RPIE	A
A5200	Dispenser, Toilet Tissue, SS, 2-Roll, Surface Mntd	1		RPIE	A
F2010	Basket, Wastepaper, Step-On	1		PP	C
P3000	Lavatory, Vitreous China, Straight Back	1		RPIE	A
P9050	Toilet, Wall Hung, Siphon Jet	1		RPIE	A

<b>Room</b> Exam, Isolation, Negative Pressure (EXRG6) <b>Description:</b> Toilet, Unisex (TLTU1)	<b>NSF:</b> 140 60	<b>EXRG6/TLTU1</b>	
<b>Sheet</b> <b>Description:</b> Equipment Schedule	<b>Scale:</b>	Sheet <b>6</b>	of <b>6</b>