

Room Description: Treatment Room, General, 1 Bed (TRGM1)

NSF: 180

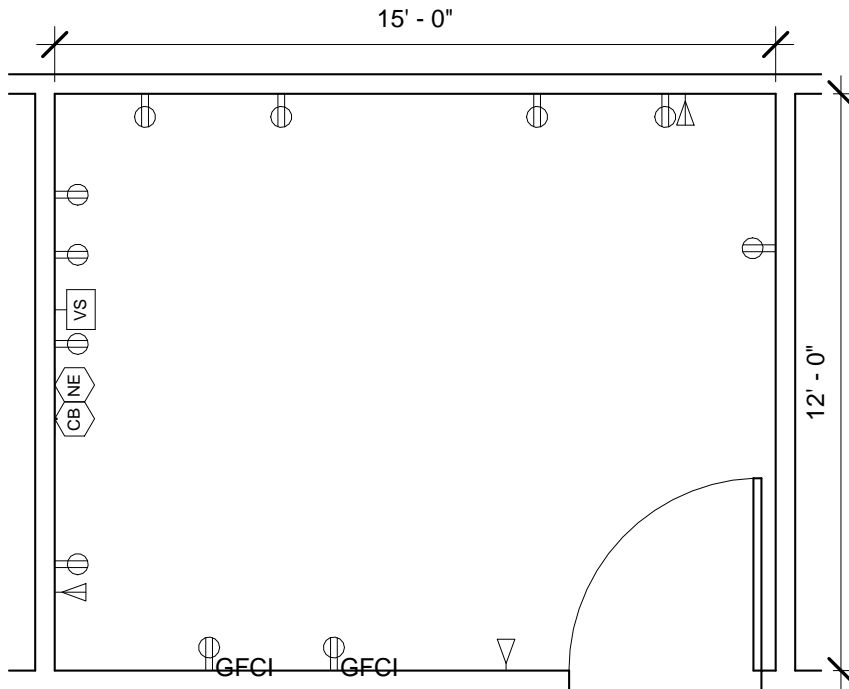
TRGM1

Sheet Description: Room/Equipment Isometric

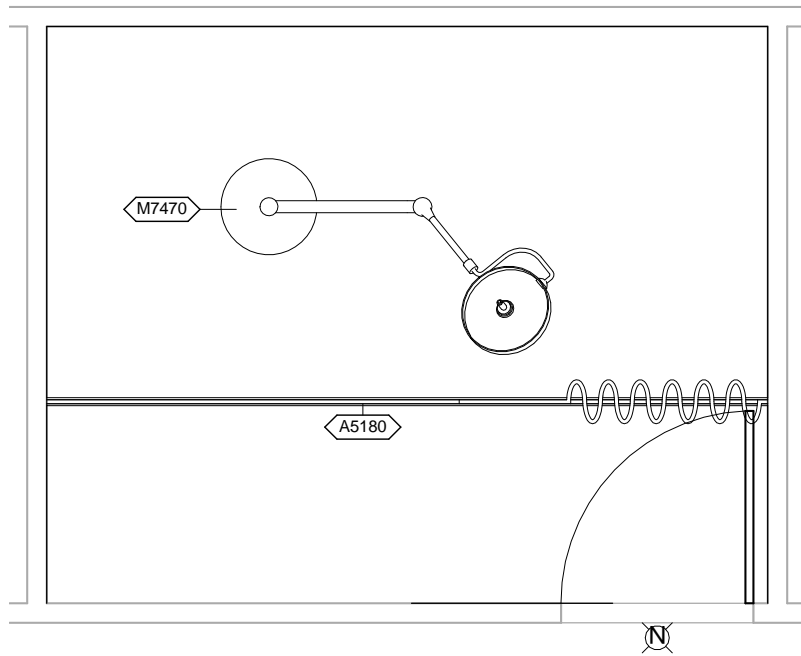
Scale:

Sheet
1

of
5

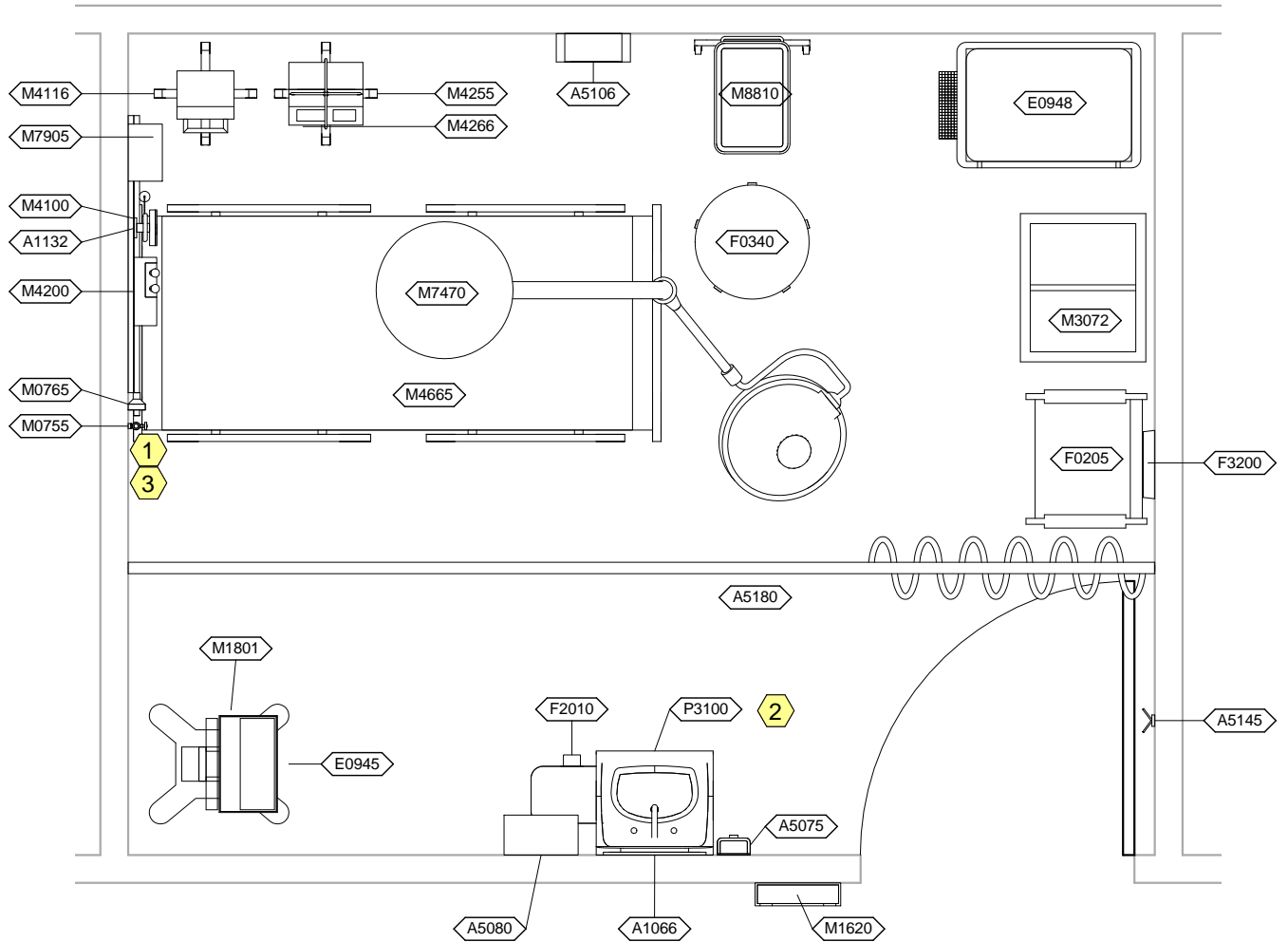


TRGM1 - FLOOR PLAN



TRGM1 - CEILING MOUNTED EQUIPMENT PLAN

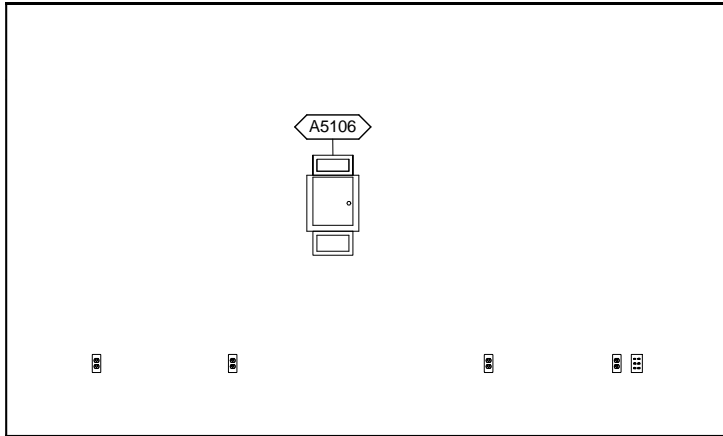
Room Description: Treatment Room, General, 1 Bed (TRGM1)	NSF: 180	TRGM1	
Sheet Description: Floor & Ceiling Mounted Equipment Plans	Scale: 1/4" = 1'-0"	Sheet 2	of 5



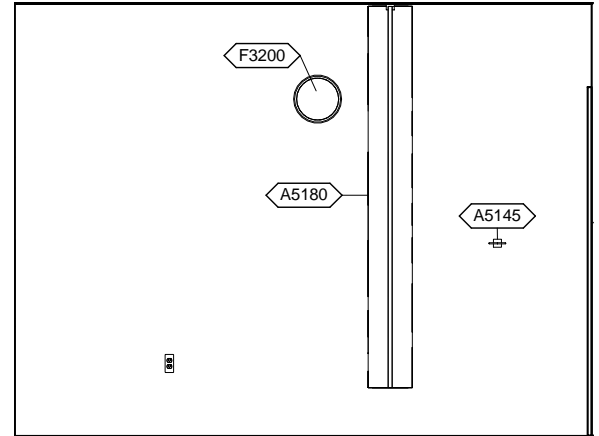
TRGM1 - NOTES

- 1 Piped gases and emergency power only provided in hospital occupancy.
- 2 JSN P8710, Utility Center, shall be included in Navy projects only.
- 3 A crash cart will be located in Room Code RCA01, Crash Cart Alcove, which should be in close proximity to the Treatment Room.

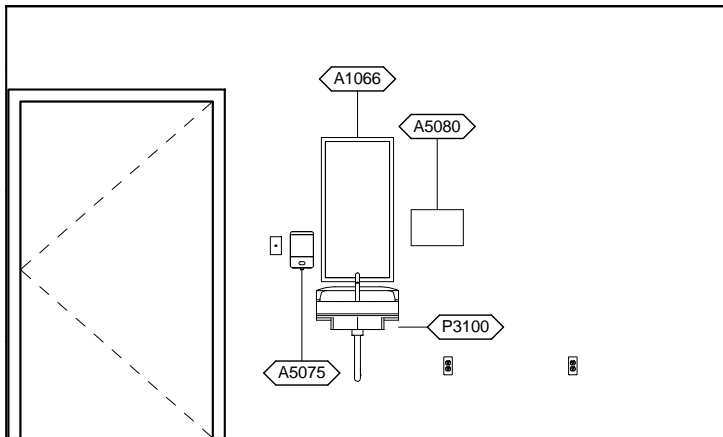
Room Description: Treatment Room, General, 1 Bed (TRGM1)	NSF: 180	TRGM1	
Sheet Description: Equipment Plan	Scale: 3/8" = 1'-0"	Sheet 3	of 5



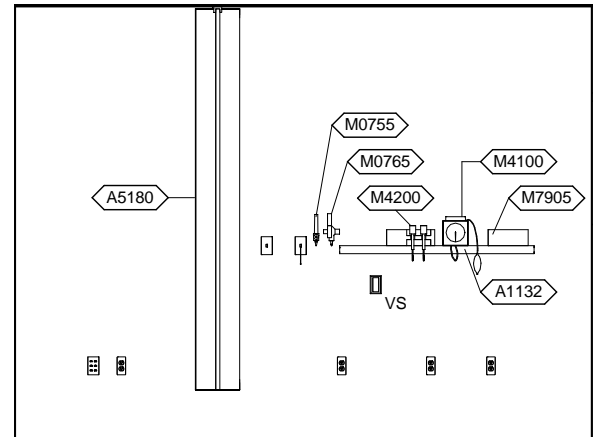
TRGM1 - NORTH ELEVATION



TRGM1 - EAST ELEVATION



TRGM1 - SOUTH ELEVATION



TRGM1 - WEST ELEVATION

Room Description: Treatment Room, General, 1 Bed (TRGM1)	NSF: 180	<h1>TRGM1</h1>	
Sheet Description: Interior Room Elevations	Scale: 1/4" = 1'-0"	Sheet <h2>4</h2>	of <h2>5</h2>

TRGM1 - EQUIPMENT SCHEDULE

JSN	Nomenclature	Qty	LF	Logistics						Utilities					
				AR	NA	AF	VA	1	2	3	4	5	6		
A1066	Mirror, Float Glass, With SS Frame	1		A	A	A	A	-	-	-	-	-	-	-	
A1132	Rail, Accessory Mounting, 48"	1	4'-0"	A	A	A	A	-	-	-	-	-	-	-	
A5075	Dispenser, Soap, Disposable	1		C	C	C	C	-	-	-	-	-	-	-	
A5080	Dispenser, Paper Towel, SS, Surface Mounted	1		A	A	A	A	-	-	-	-	-	-	-	
A5106	Waste Disposal Unit, Sharps w/Glove Dispenser	1		C	A	C	C	-	-	-	-	-	-	-	
A5145	Hook, Garment, Double, SS, Surface Mounted	1		A	A	A	A	-	-	-	-	-	-	-	
A5180	Track, Cubicle, Surface Mounted, With Curtain	1	15'-0"	A	A	A	A	-	-	-	-	-	-	-	
E0945	Mobile, Workstation	1		-	-	-	-	-	-	-	-	-	-	-	
E0948	Cart, General Storage, Mobile, 42"H x 32"W x 22"D	1		C	C	C	C	-	-	-	-	-	-	-	
F0205	Chair, Side With Arms	1		C	C	C	C	-	-	-	-	-	-	-	
F0340	Stool, Self Adjusting	1		C	C	C	C	-	-	-	-	-	-	-	
F2010	Basket, Wastepaper, Step-On	1		C	C	C	C	-	-	-	-	-	-	-	
F3200	Clock, Battery, 12" Diameter	1		C	C	C	C	-	-	-	-	-	-	-	
M0755	Flowmeter, Oxygen, Low Flow	1		C	C	C	C	-	-	A	-	-	-	-	
M0765	Regulator, Vacuum	1		C	C	C	C	-	-	B	-	-	-	-	
M1620	Holder, Chart, Patient, Wall or Door Mounted	1		A	A	A	A	-	-	-	-	-	-	-	
M1801	Computer, Microprocessing, w/Flat Panel Monitor	1		C	C	C	C	-	A	-	-	-	-	-	
M3072	Frame, Infectious Waste Bag w/Lid	1		C	C	C	C	-	-	-	-	-	-	-	
M4100	Sphygmomanometer, Aneroid, Wall Mounted	1		C	C	C	C	-	-	-	-	-	-	-	
M4116	Monitor, Vital Signs	1		C	C	C	C	-	A	-	-	-	-	-	
M4200	Otoscope/Ophthalmoscope, Wall Mounted	1		C	C	-	C	-	A	-	-	-	-	-	
M4255	Stand, IV, Adjustable	1		C	C	C	C	-	-	-	-	-	-	-	
M4266	Pump, Volumetric, Infusion, Multiple Line	1		C	C	C	C	-	A	-	-	-	-	-	
M4665	Stretcher, Recovery, Surgical	1		C	C	C	C	-	-	-	-	-	-	-	
M7470	Light, Surgical, Ceiling, Single, Small	1		E	E	E	E	-	F	-	-	-	-	-	
M7905	Oximeter, Pulse	1		C	C	C	C	-	A	-	-	-	-	-	
M8810	Stand, Mayo	1		C	C	C	C	-	-	-	-	-	-	-	
P3100	Lavatory, Vitreous China, Slab Type	1		A	A	A	A	D	-	-	-	-	-	-	

TRGM1 - DATA/TELEPHONE EQUIPMENT

JSN	Nomenclature	Qty	Logistics			
			AR	NA	AF	VA
A1010	Telecommunication Outlet	2	A	A	A	A
A1014	Telephone, Wall Mounted, 1 Line, with Speaker	1	A	A	A	A

Room Description: Treatment Room, General, 1 Bed (TRGM1)	NSF: 180	TRGM1	
Sheet Description: Equipment Schedule	Scale:	Sheet 5	of 5