

Room Description: Procedure Room, Endoscopy (TREE1)

NSF: 300

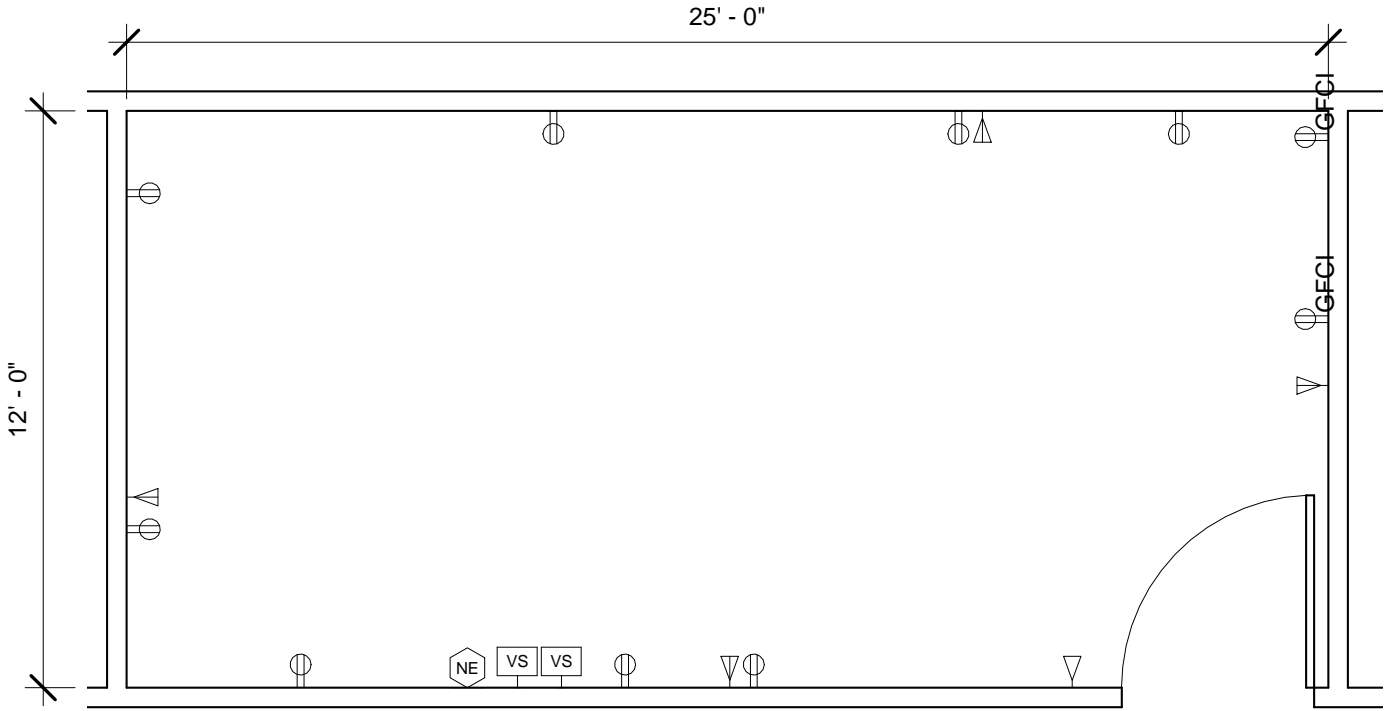
TREE1

Sheet Description: Room/Equipment Isometric

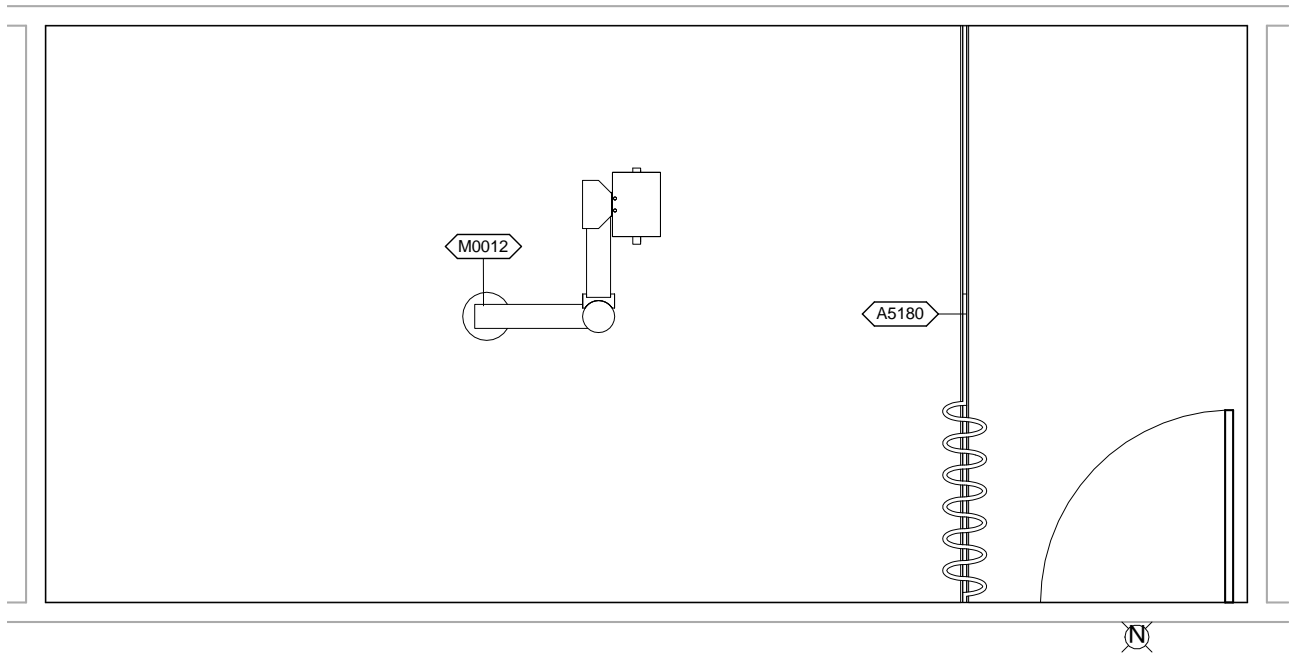
Scale:

Sheet
1

of
7

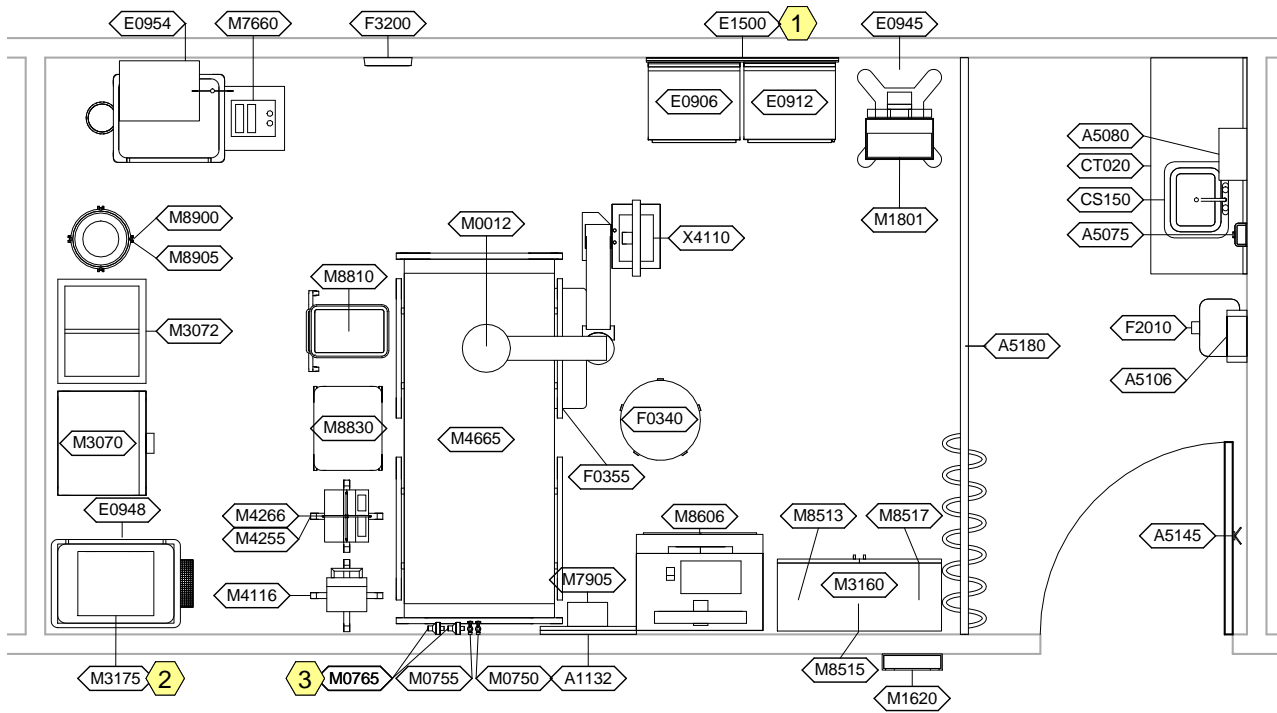


TREE1 - FLOOR PLAN



TREE1 - CEILING MOUNTED EQUIPMENT PLAN

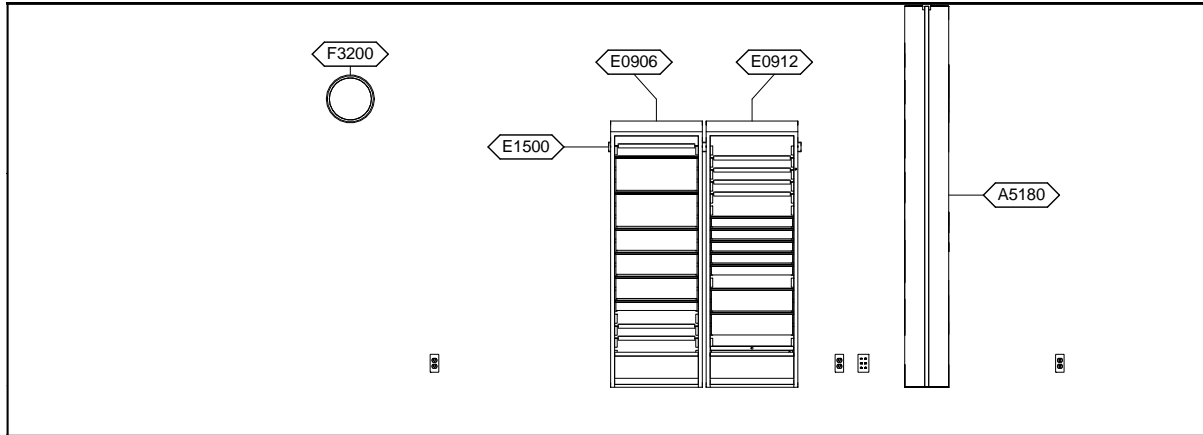
Room Description: Procedure Room, Endoscopy (TREE1)	NSF: 300	<h1>TREE1</h1>	
Sheet Description: Floor & Ceiling Mounted Equipment Plans	Scale: 1/4" = 1'-0"	Sheet <h2>2</h2>	of <h2>7</h2>



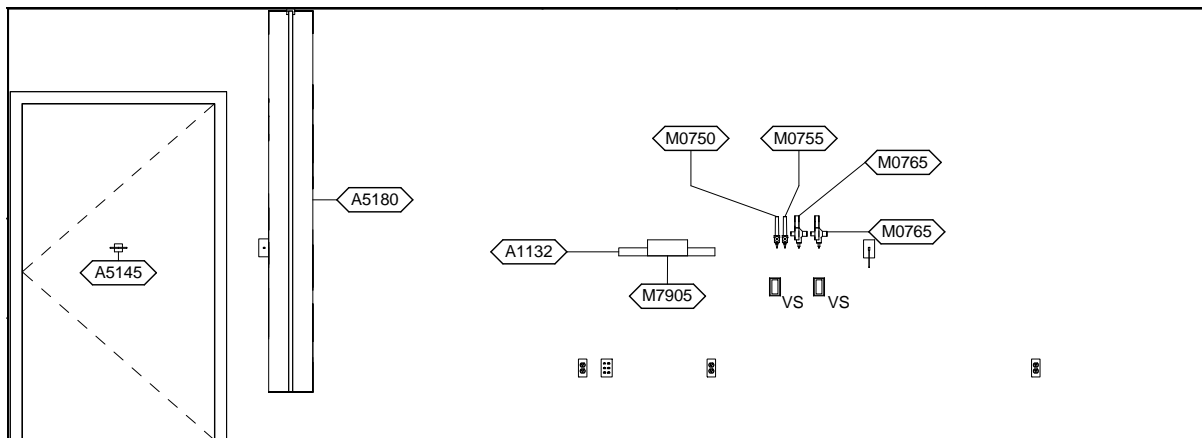
TREE1 - NOTES

- 1 Length of JSN E1500, Rail, Wall Mounted, to be determined by manufacturer/installer.
- 2 JSN M3175, Electrosurgical Unit , used in operating room, surgical center, or same day surgery as an alternative to the scalpal for cutting tissue. Not used in the clinical setting.
- 3 JSN M0765, Medical Vacuum, M0755, Oxygen, and M0750, Medical Air, used in operating room, surgical center, or same day surgery. Not used in the clinical setting.

Room Description: Procedure Room, Endoscopy (TREE1)	NSF: 300	<h1>TREE1</h1>	
Sheet Description: Equipment Plan	Scale: 1/4" = 1'-0"	Sheet <h2>3</h2>	of <h2>7</h2>



TREE1 - NORTH ELEVATION



TREE1 - SOUTH ELEVATION

Room Description: Procedure Room, Endoscopy (TREE1)	NSF: 300	<h1>TREE1</h1>	
Sheet Description: Interior Room Elevations	Scale: 1/4" = 1'-0"	Sheet <h2>4</h2>	of <h2>7</h2>

TREE1 - EQUIPMENT SCHEDULE

JSN	Nomenclature	Qty	LF	Logistics				Utilities					
				AR	NA	AF	VA	1	2	3	4	5	6
A1132	Rail, Accessory Mounting, 48"	1	2'-0"	A	A	A	A	-	-	-	-	-	-
A5075	Dispenser, Soap, Disposable	1		C	C	C	C	-	-	-	-	-	-
A5080	Dispenser, Paper Towel, SS, Surface Mounted	1		A	A	A	A	-	-	-	-	-	-
A5106	Waste Disposal Unit, Sharps w/Glove Dispenser	1		C	A	C	C	-	-	-	-	-	-
A5145	Hook, Garment, Double, SS, Surface Mounted	1		A	A	A	A	-	-	-	-	-	-
A5180	Track, Cubicle, Surface Mounted, With Curtain	1	12'-0"	A	A	A	A	-	-	-	-	-	-
C0040	Rail, Apron, 4x54x1	2		A	A	A	A	-	-	-	-	-	-
CS150	Sink, SS, Single Compartment, 10x19x16 ID	1		A	A	A	A	D	-	-	-	-	-
CT020	Countertop, Solid Surface	1	4'-6"	A	A	A	A	-	-	-	-	-	-
E0906	Locker, Supply, General, Wall Mtd, 23"W x 20"D	1		C	C	C	C	-	-	-	-	-	-
E0912	Locker, Supply, Med Surg, Wall Mtd	1		C	C	C	C	-	-	-	-	-	-
E0945	Mobile, Workstation	1		-	-	-	-	-	-	-	-	-	-
E0948	Cart, General Storage, Mobile, 42"H x 32"W x 22"D	1		C	C	C	C	-	-	-	-	-	-
E0954	Cart, Emergency, Mobile, 66"H x 52"W x 22"D	1		C	C	C	C	-	-	-	-	-	-
E1500	Rail, MOD, W/MNTD, HX144XD	1		C	C	C	F	-	-	-	-	-	-
F0340	Stool, Self Adjusting	1		C	C	C	C	-	-	-	-	-	-
F0355	Footstool, Straight	1		C	C	C	C	-	-	-	-	-	-
F2010	Basket, Wastepaper, Step-On	1		C	C	C	C	-	-	-	-	-	-
F3200	Clock, Battery, 12" Diameter	1		C	C	C	C	-	-	-	-	-	-
M0012	Service Column, Endoscopy	1		-	-	-	-	-	-	-	-	-	-
M0750	Flowmeter, Air, Connect w/50 PSI Supply	1		C	C	C	C	-	-	K	-	-	-
M0755	Flowmeter, Oxygen, Low Flow	1		C	C	C	C	-	-	A	-	-	-
M0765	Regulator, Vacuum	2		C	C	C	C	-	-	B	-	-	-
M1620	Holder, Chart, Patient, Wall or Door Mounted	1		A	A	A	A	-	-	-	-	-	-
M1801	Computer, Microprocessing, w/Flat Panel Monitor	1		C	C	C	C	-	A	-	-	-	-
M3070	Hamper, Linen, Mobile, w/Lid	1		C	C	C	C	-	-	-	-	-	-
M3072	Frame, Infectious Waste Bag w/Lid	1		C	C	C	C	-	-	-	-	-	-
M3160	Cabinet, Storage, Hanging Scopes	1		C	C	C	C	-	-	-	-	-	-
M3175	Electrosurgical Unit, Dual Output	1		C	C	C	C	-	A	-	-	-	-
M4116	Monitor, Vital Signs	1		C	C	C	C	-	A	-	-	-	-
M4255	Stand, IV, Adjustable	1		C	C	C	C	-	-	-	-	-	-
M4266	Pump, Volumetric, Infusion, Multiple Line	1		C	C	C	C	-	A	-	-	-	-
M4665	Stretcher, Recovery, Surgical	1		C	C	C	C	-	-	-	-	-	-
M7660	Defibrillator/Monitor/Recorder, Portable	1		C	C	C	C	-	A	-	-	-	-
M7905	Oximeter, Pulse	1		C	C	C	C	-	A	-	-	-	-
M8513	Duodenoscope, Fiberoptic, Therapeutic	1		C	C	C	C	-	-	-	-	-	-
M8515	Gastroscope, Fiberoptic, Therapeutic	1		C	C	C	C	-	-	-	-	-	-
M8517	Enteroscope, Fiberoptic, Therapeutic	1		C	C	C	C	-	-	-	-	-	-
M8606	Endoscopy Cart, Fiberoptic, w/Video Accessories	1		C	C	C	C	-	A	-	E	-	-
M8810	Stand, Mayo	1		C	C	C	C	-	-	-	-	-	-
M8830	Table, Instrument/Dressing, Mobile	1		C	C	C	C	-	-	-	-	-	-
M8900	Carriage, Pail, CRS, Without Pail	1		C	C	C	C	-	-	-	-	-	-
M8905	Pail, Utility, CRS, Without Carriage	1		C	C	C	C	-	-	-	-	-	-
X4110	Console, PACS, Remote View, 512 X 512, 1 Monitor	1		F	F	F	F	-	B	-	-	-	-

Room Description: Procedure Room, Endoscopy (TREE1)	NSF: 300	TREE1	
Sheet Description: Equipment Schedule	Scale:	Sheet 6	of 7

TREE1 - DATA/TELEPHONE EQUIPMENT

JSN	Nomenclature	Qty	Logistics			
			AR	NA	AF	VA
A1010	Telecommunication Outlet	4	A	A	A	A
A1015	Telephone, Desk, Multiple Line	1	A	A	A	A

Room Description: Procedure Room, Endoscopy (TREE1)

NSF: 300

TREE1

Sheet Description: Equipment Schedule

Scale:

Sheet
7

of
7