



TLTU1 - INTERIOR DESIGN

Floor Finish		Wall Finish		Ceiling Finish		Room Height	Room Noise		
Preferred	Alternate	Preferred	Alternate	Preferred	Alternate	ft - in	Min NC	Max NC	SC
CT	VT	GPT	CT	GPT	AT1	8' - 0"	35	40	40

TLTU1 - DOOR SCHEDULE

Mark	Type	Count	Height	Width	Notes
			ft - in	ft - in	
A	Single-Flush	1	7' - 0"	3' - 0"	

Room Description: Toilet, Unisex

NSF: 60

TLTU1

Plate Description: Room/Equipment Isometric

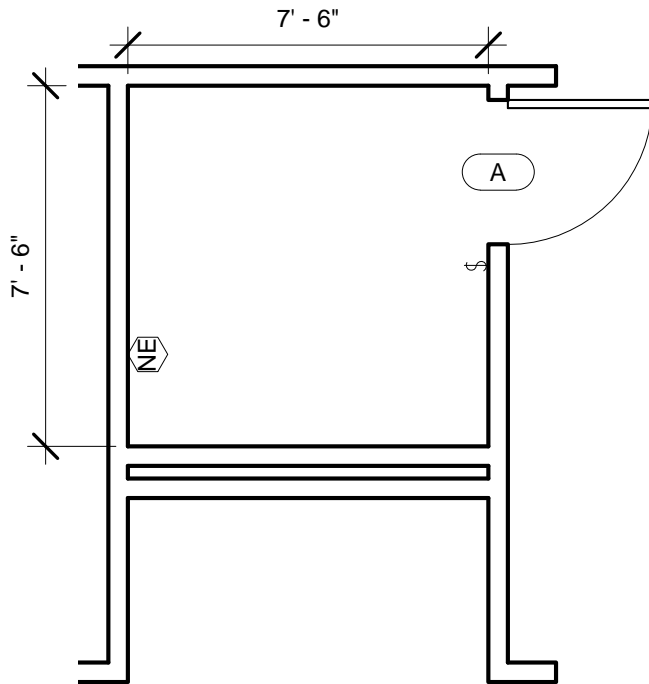
Scale:

Sheet

1

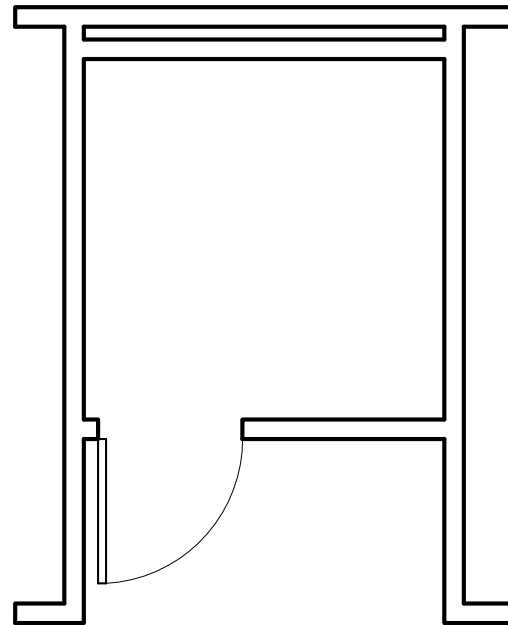
of

5

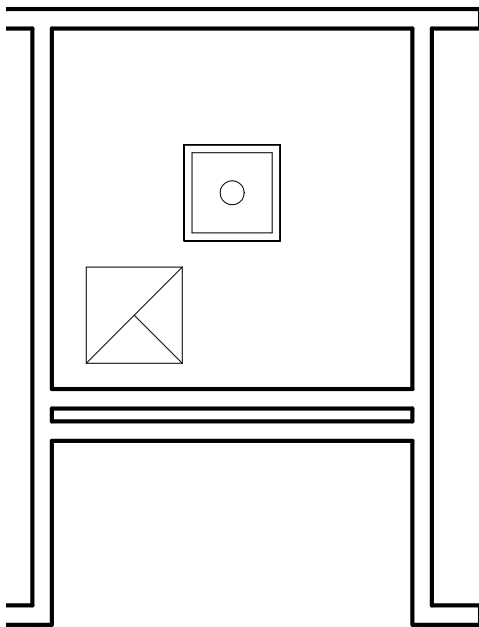


TLTU1 - FLOOR PLAN

Option A - Room Entrance

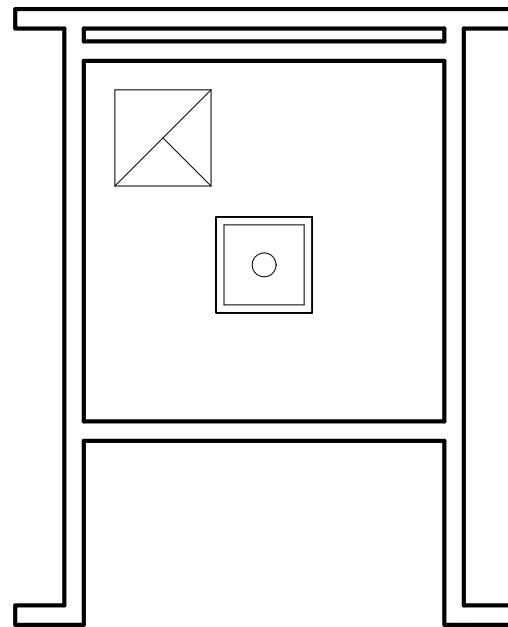


Option B - Corridor Entrance



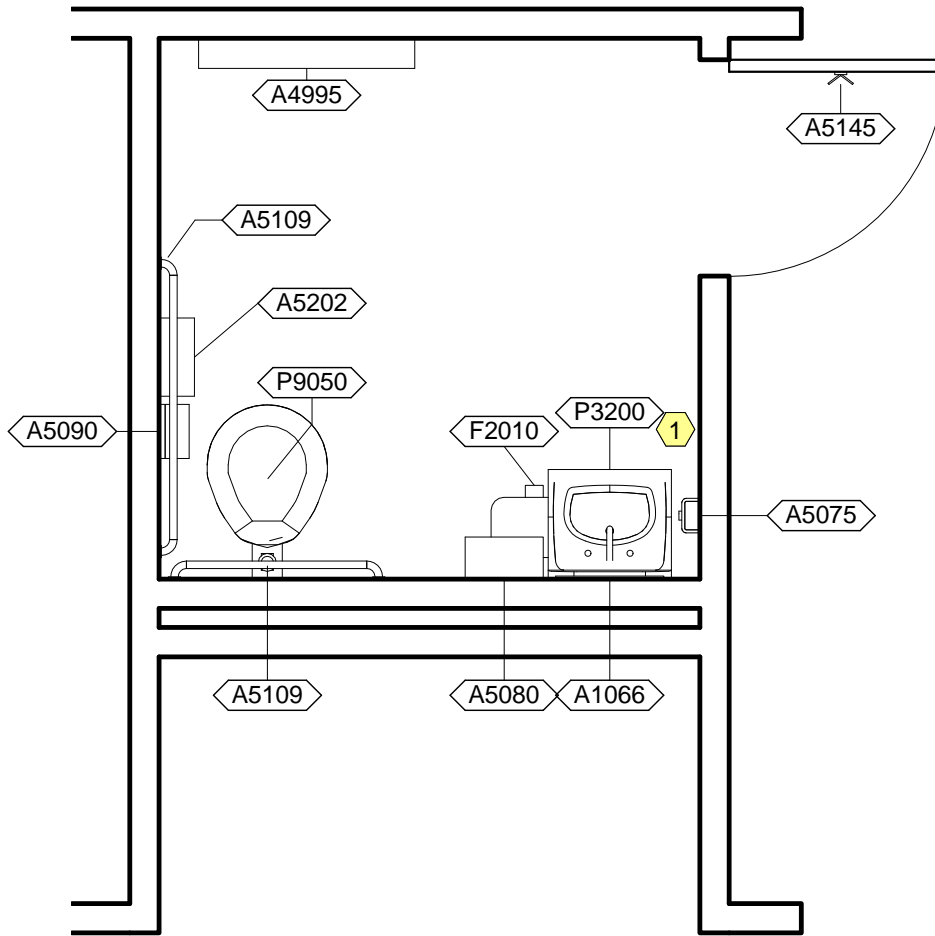
TLTU1 - CEILING PLAN

Option A - Room Entrance



Option B - Corridor Entrance

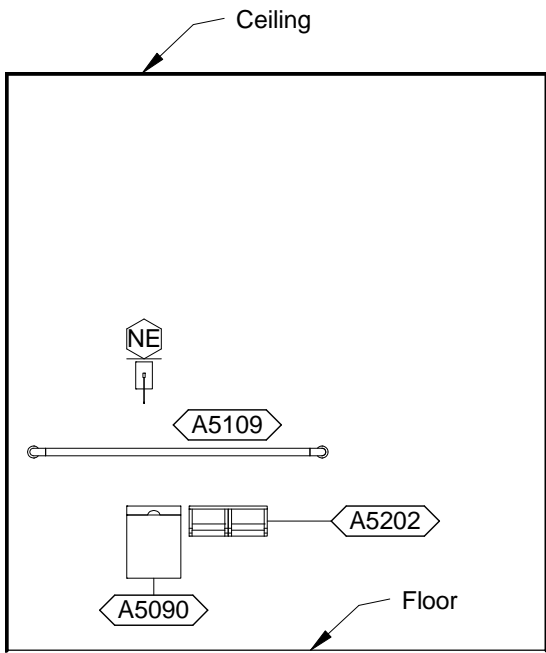
Room Description: Toilet, Unisex	NSF: 60	TLTU1	
Plate Description: Floor & Ceiling Plans	Scale: 1/4" = 1'-0"	Sheet 2	of 5



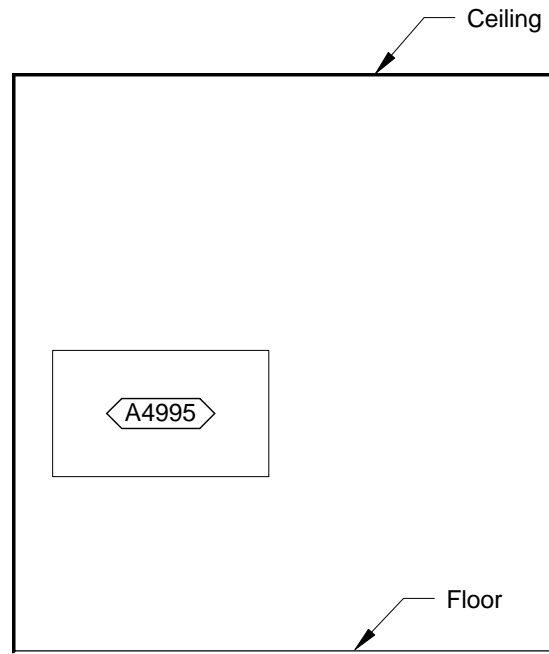
TLTU1 - NOTES

- 1 JSN P8710, Utility Center, shall be included in Navy projects only.

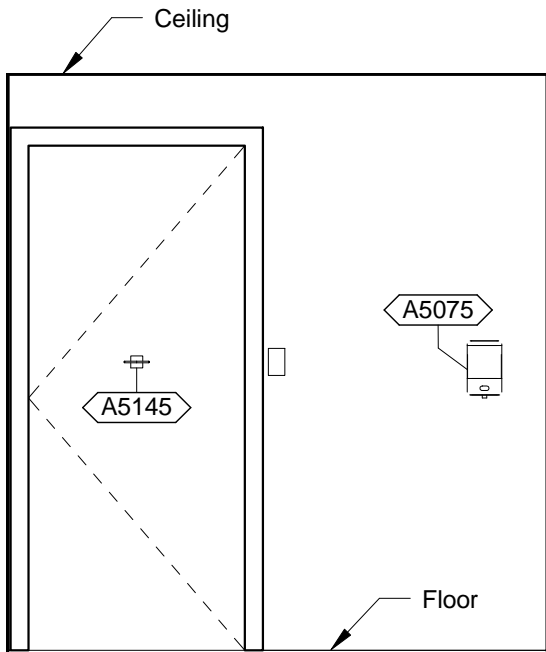
Room Description: Toilet, Unisex	NSF: 60	TLTU1	
Plate Description: Equipment Plan	Scale: 3/8" = 1'-0"	Sheet 3	of 5



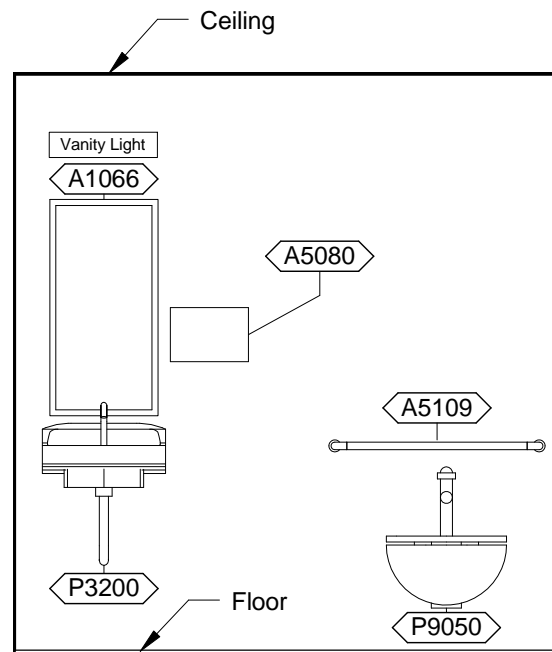
TLTU1 - PLAN WEST



TLTU1 - PLAN NORTH



TLTU1 - PLAN EAST



TLTU1 - PLAN SOUTH

Room Description: Toilet, Unisex	NSF: 60	TLTU1	
Plate Description: Interior Room Elevations	Scale: 3/8" = 1'-0"	Sheet 4	of 5

TLTU1 - EQUIPMENT SCHEDULE

JSN	Nomenclature	Qty	Logistics				Utilities					
			AR	NA	AF	VA	1	2	3	4	5	6
A1066	Mirror, Float Glass, With SS Frame	1	A	A	A	A	-	-	-	-	-	-
A4995	Table, Diaper Changing, Wall Mounted	1	A	A	A	A	-	-	-	-	-	-
A5075	Dispenser, Soap, Disposable	1	C	C	C	C	-	-	-	-	-	-
A5080	Dispenser, Paper Towel, SS, Surface Mounted	1	A	A	A	A	-	-	-	-	-	-
A5090	Disposal, Sanitary Napkin, SS, Surface Mounted	1	A	A	A	A	-	-	-	-	-	-
A5109	Grab Bar, 1-1/4" Dia., SS, 2 Wall, W/C Accessible	2	A	A	A	A	-	-	-	-	-	-
A5145	Hook, Garment, Double, SS, Surface Mounted	2	A	A	A	A	-	-	-	-	-	-
A5202	Dispenser, Toilet Paper w/Utility Shelf, SS, 2-Roll	1	A	A	A	A	-	-	-	-	-	-
F2010	Basket, Wastepaper, Step-On	1	C	C	C	C	-	-	-	-	-	-
P3200	Lavatory, Vitreous China, Slab Type w/Sens Op Fauc	1	A	A	A	A	D	-	-	-	-	-
P9050	Toilet, Wall Hung, Siphon Jet	1	A	A	A	A	B	-	-	-	-	-

Room Description: Toilet, Unisex	NSF: 60	TLTU1	
Plate Description: Equipment Schedule	Scale:	Sheet 5	of 5