



Room Antepartum Testing, Multiple Station (LDAT2)
Description: Toilet, Unisex (TLTU1)

NSF: 540
56

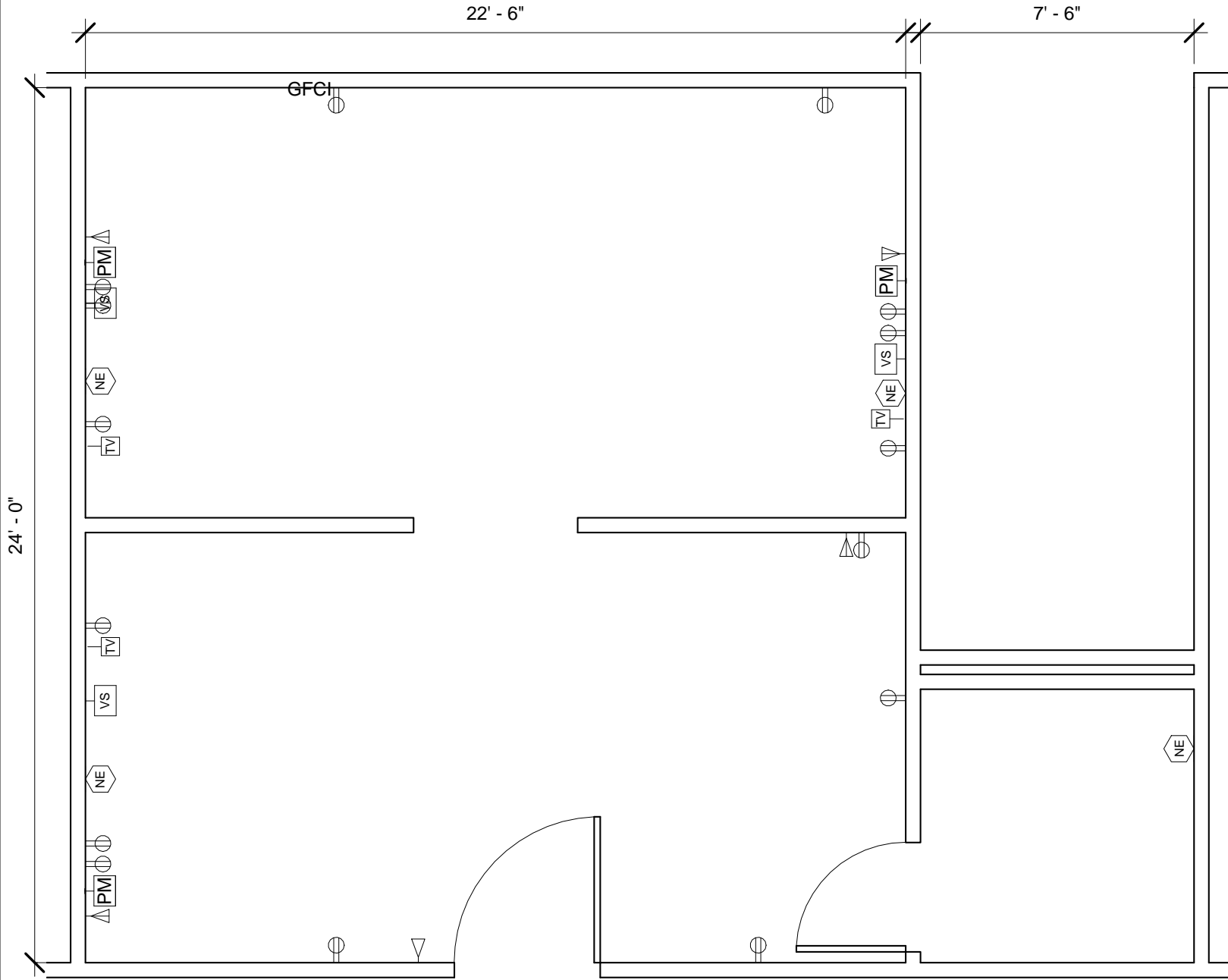
LDAT2/TLTU1

Sheet
Description: Room/Equipment Isometric

Scale:

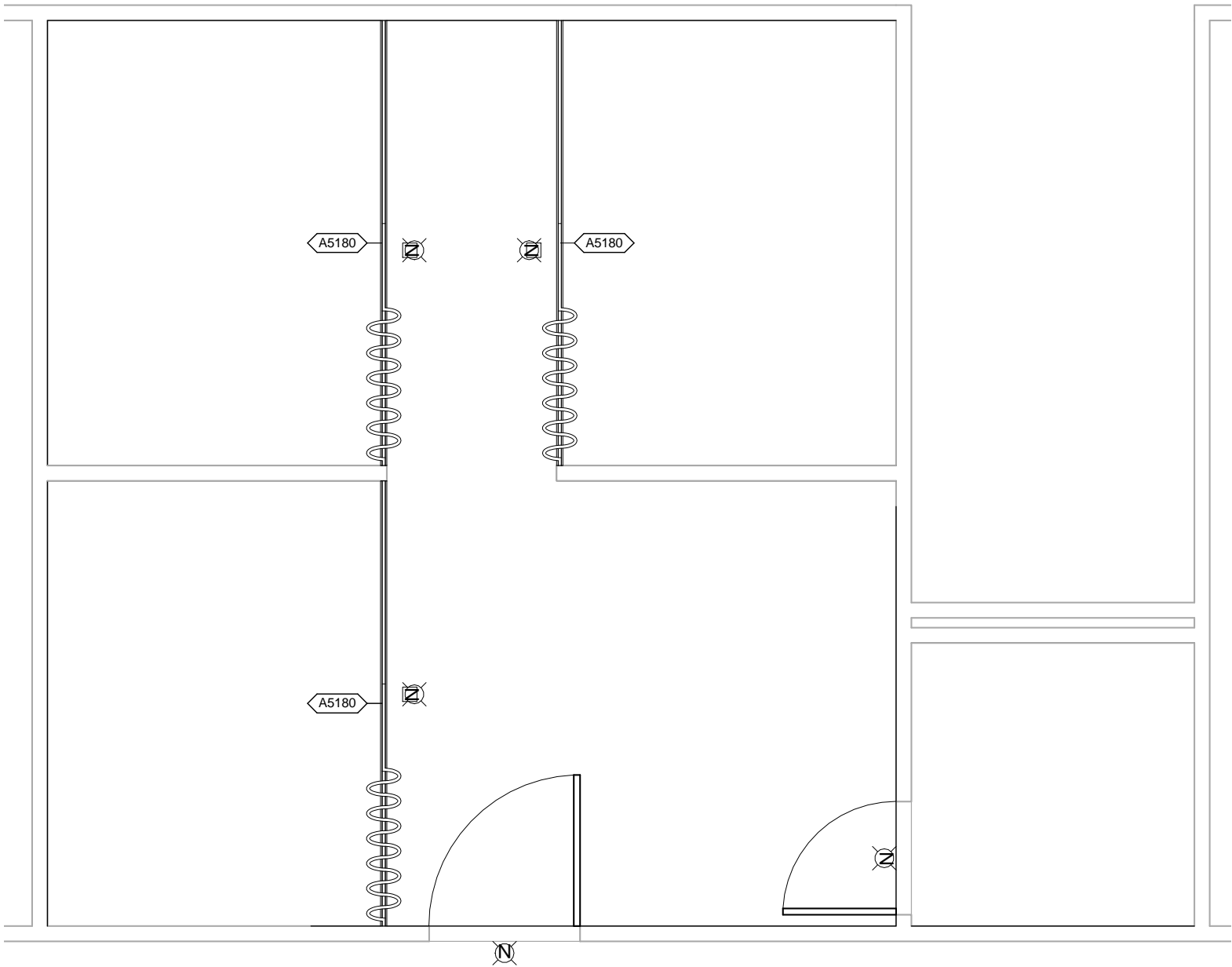
Sheet
1

of
9



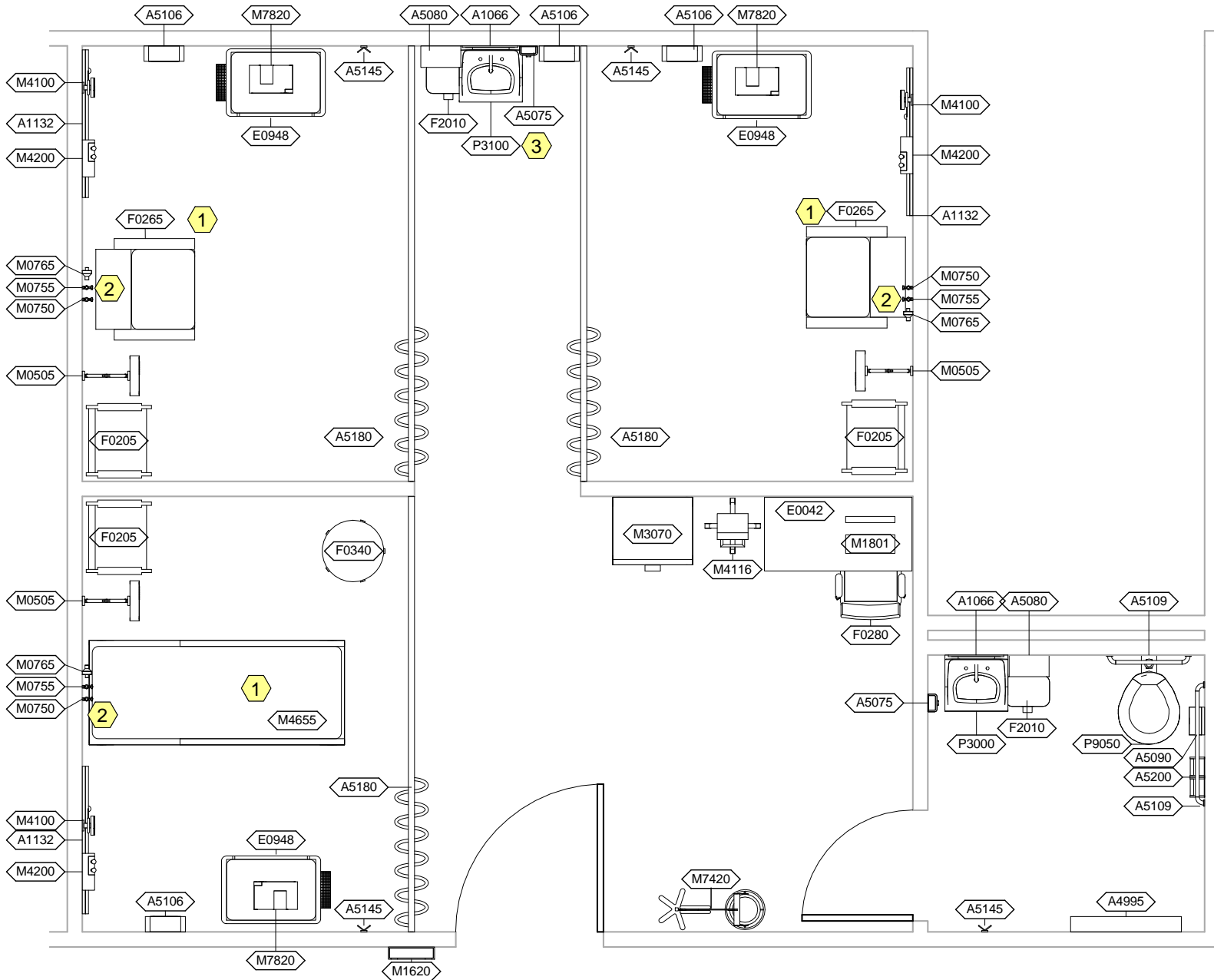
LDAT2/TLTU1 - FLOOR PLAN

Room Antepartum Testing, Multiple Station (LDAT2) Description: Toilet, Unisex (TLTU1)	NSF: 540 56	LDAT2/TLTU1	
Sheet Description: Floor Plan	Scale: 1/4" = 1'-0"	Sheet 2	of 9



LDAT2/TLTU1 - CEILING MOUNTED EQUIPMENT PLAN

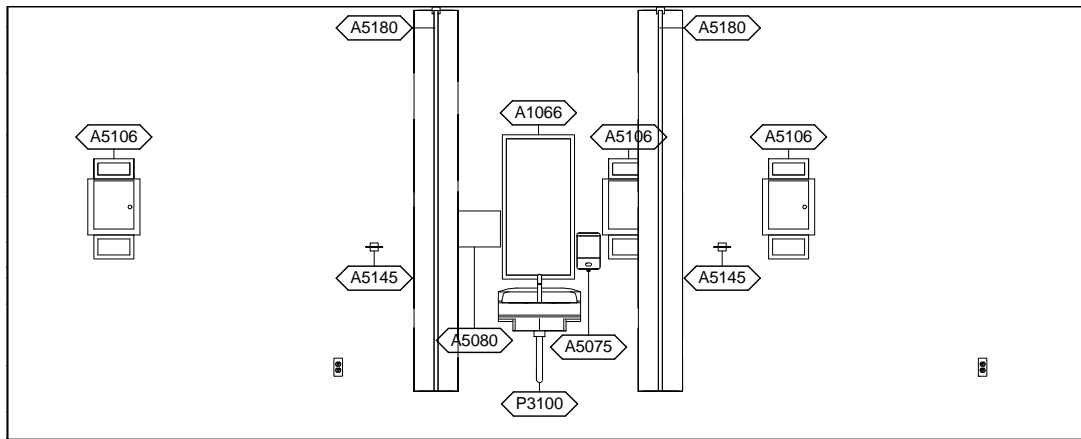
Room Antepartum Testing, Multiple Station (LDAT2) Description: Toilet, Unisex (TLTU1)	NSF: 540 56	LDAT2/TLTU1	
Sheet Description: Ceiling Mounted Equipment Plan	Scale: 1/4" = 1'-0"	Sheet 3	of 9



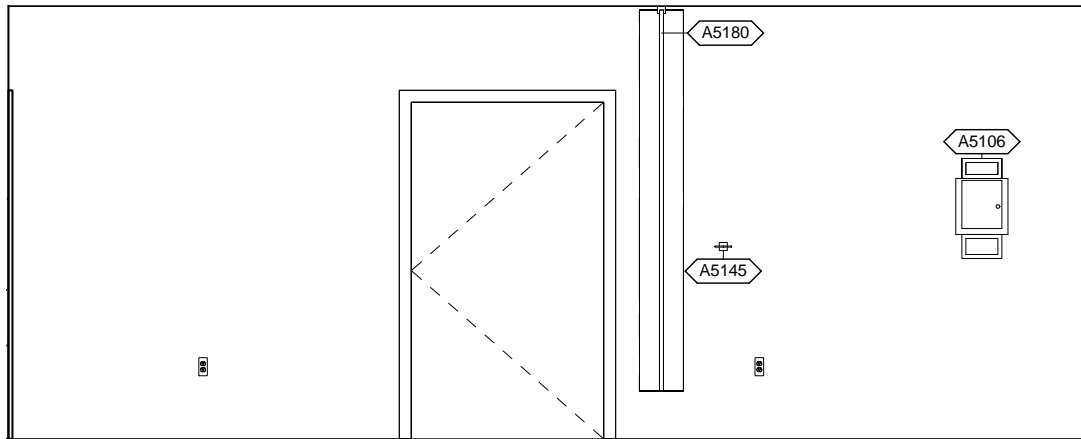
LDAT2/TLTU1 - NOTES

- 1 Coordinate use of JSN M4655, Stretcher, versus JSN F0265, Chair, with project room contents report.
- 2 Provide bottled gas if building piped MCA and OX are not available.
- 3 JSN P8710, Utility Center, shall be included in Navy projects only.

Room Antepartum Testing, Multiple Station (LDAT2) Description: Toilet, Unisex (TLTU1)	NSF: 540 56	LDAT2/TLTU1	
Sheet Description: Equipment Plan	Scale: 1/4" = 1'-0"	Sheet 4	of 9

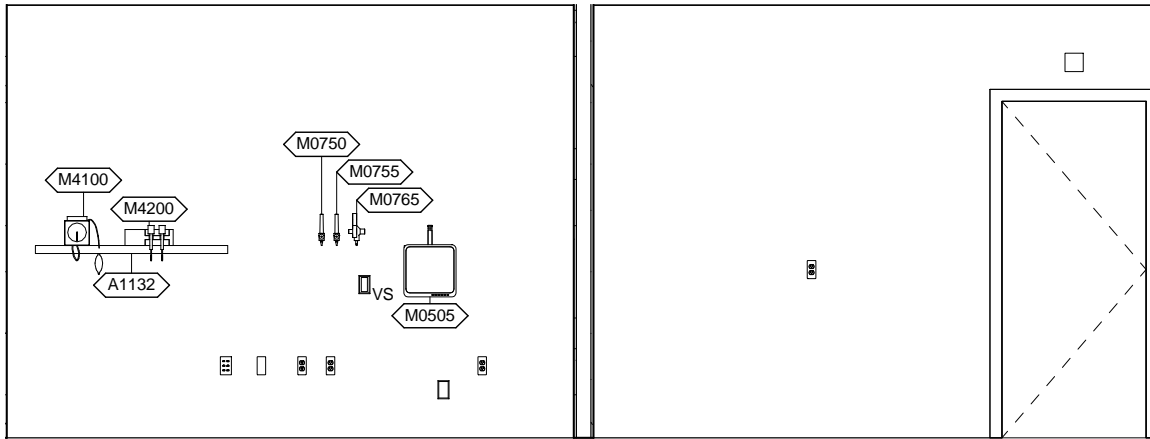


LDAT2 - NORTH ELEVATION

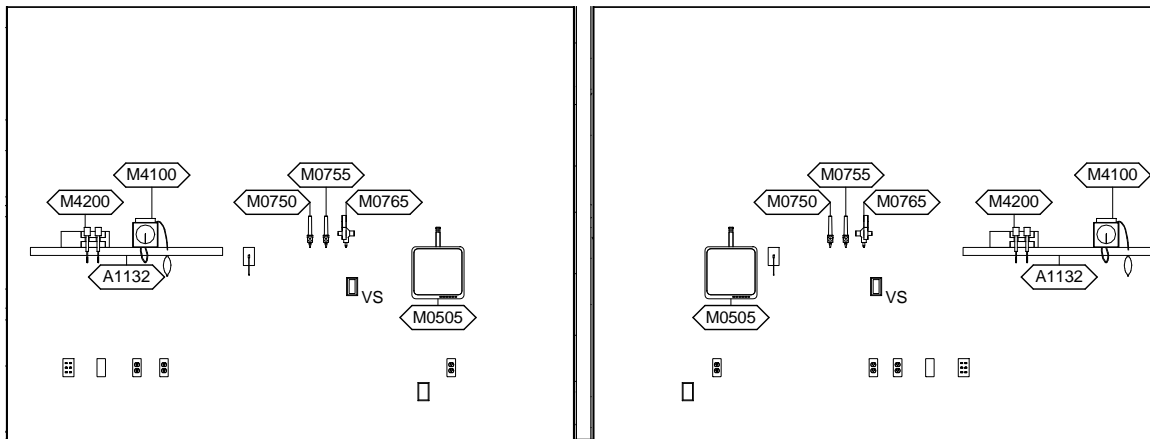


LDAT2 - SOUTH ELEVATION

Room Antepartum Testing, Multiple Station (LDAT2) Description: Toilet, Unisex (TLTU1)	NSF: 540 56	LDAT2/TLTU1	
Sheet Description: Interior Room Elevations	Scale: 1/4" = 1'-0"	Sheet 5	of 9

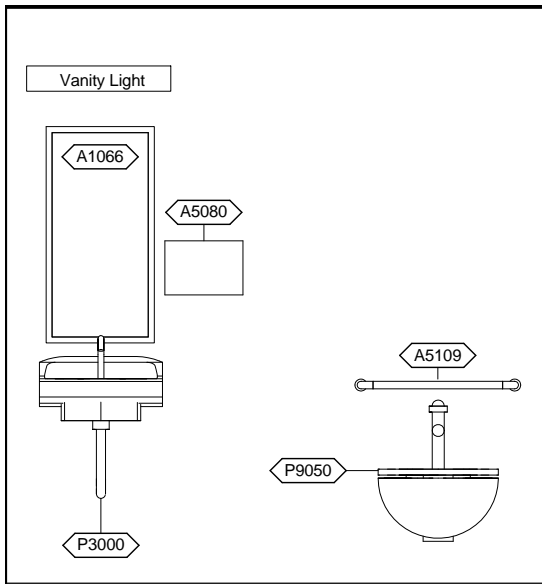


LDAT2 - EAST ELEVATION

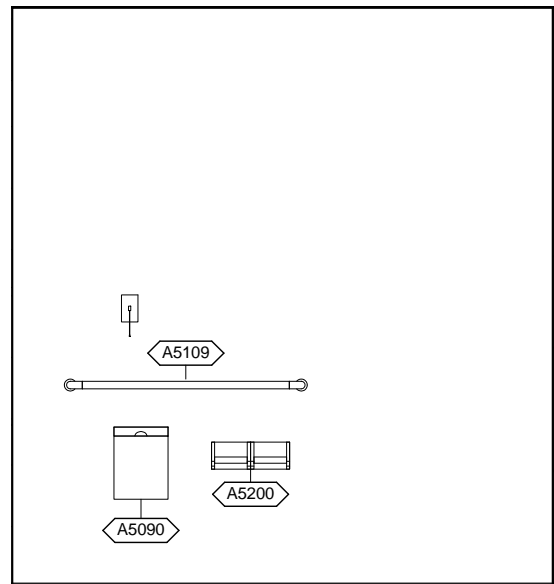


LDAT2 - WEST ELEVATION

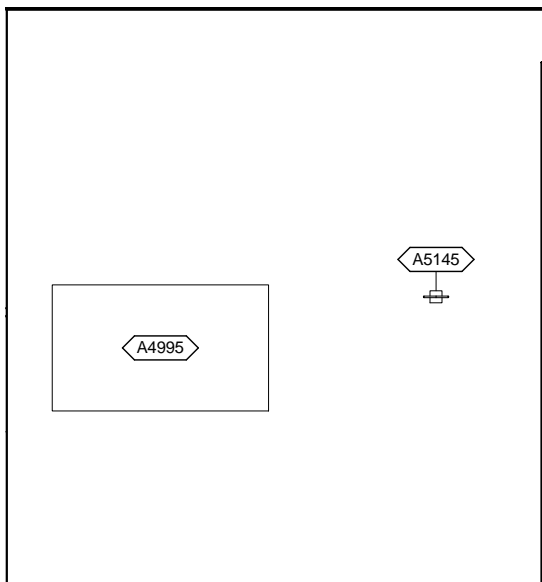
<p>Room Antepartum Testing, Multiple Station (LDAT2) Description: Toilet, Unisex (TLTU1)</p>	<p>NSF: 540 56</p>	<p>LDAT2/TLTU1</p>	
<p>Sheet Description: Interior Room Elevations</p>	<p>Scale: 1/4" = 1'-0"</p>	<p>Sheet 6</p>	<p>of 9</p>



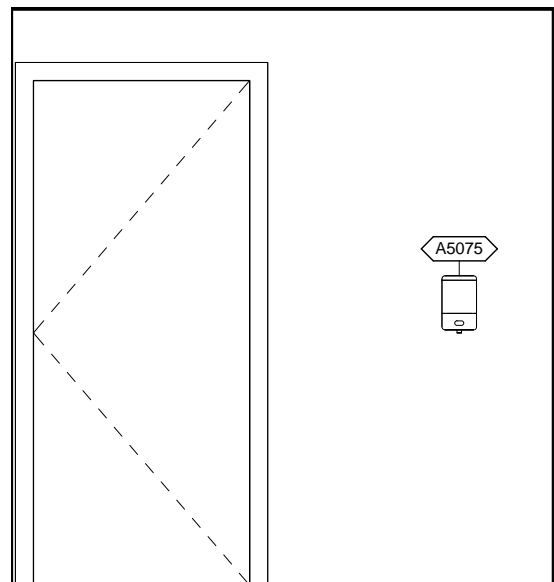
TLTU1 - NORTH ELEVATION



TLTU1 - EAST ELEVATION



TLTU1 - SOUTH ELEVATION



TLTU1 - WEST ELEVATION

Room Antepartum Testing, Multiple Station (LDAT2) Description: Toilet, Unisex (TLTU1)	NSF: 540 56	LDAT2/TLTU1	
Sheet Description: Interior Room Elevations	Scale: 3/8" = 1'-0"	Sheet 7	of 9

Medical Military Facilities Templates

Pub Date: 1-Apr-13

LDAT2 - EQUIPMENT SCHEDULE

JSN	Nomenclature	Qty	LF	Logistics				Utilities					
				AR	NA	AF	VA	1	2	3	4	5	6
A1066	Mirror, Float Glass, With SS Frame	1		A	A	A	A	-	-	-	-	-	-
A1132	Rail, Accessory Mounting, 48"	3	4'-0"	A	A	A	A	-	-	-	-	-	-
A5075	Dispenser, Soap, Disposable	1		C	C	C	C	-	-	-	-	-	-
A5080	Dispenser, Paper Towel, SS, Surface Mounted	1		A	A	A	A	-	-	-	-	-	-
A5106	Waste Disposal Unit, Sharps w/Glove Dispenser	4		C	A	C	C	-	-	-	-	-	-
A5145	Hook, Garment, Double, SS, Surface Mounted	3		A	A	A	A	-	-	-	-	-	-
A5180	Track, Cubicle, Surface Mounted, With Curtain	3	11'-10"	A	A	A	A	-	-	-	-	-	-
E0042	Workcenter, Computer, Free Standing, 48" W	1		C	C	C	C	-	-	-	-	-	-
E0948	Cart, General Storage, Mobile, 42"H x 32"W x 22"D	3		C	C	C	C	-	-	-	-	-	-
F0205	Chair, Side With Arms	3		C	C	C	C	-	-	-	-	-	-
F0265	Chair, Recliner	2		C	C	C	C	-	-	-	-	-	-
F0280	Chair, Swivel, Low Back	1		C	C	C	C	-	-	-	-	-	-
F0340	Stool, Self Adjusting	1		C	C	C	C	-	-	-	-	-	-
F2010	Basket, Wastepaper, Step-On	1		C	C	C	C	-	-	-	-	-	-
M0505	Television, Color, Bedside	3		C	C	C	C	-	F	-	-	-	-
M0750	Flowmeter, Air, Connect w/50 PSI Supply	3		C	C	C	C	-	-	K	-	-	-
M0755	Flowmeter, Oxygen, Low Flow	3		C	C	C	C	-	-	A	-	-	-
M0765	Regulator, Vacuum	3		C	C	C	C	-	-	B	-	-	-
M1620	Holder, Chart, Patient, Wall or Door Mounted	1		A	A	A	A	-	-	-	-	-	-
M1801	Computer, Microprocessing, w/Flat Panel Monitor	1		C	C	C	C	-	A	-	-	-	-
M3070	Hamper, Linen, Mobile, w/Lid	1		C	C	C	C	-	-	-	-	-	-
M4100	Sphygmomanometer, Aneroid, Wall Mounted	3		C	C	C	C	-	-	-	-	-	-
M4116	Monitor, Vital Signs	1		C	C	C	C	-	A	-	-	-	-
M4200	Otoscope/Ophthalmoscope, Wall Mounted	3		C	C	-	C	-	A	-	-	-	-
M4655	Stretcher, Mobile, CRS, 9 Position	1		C	C	C	C	-	-	-	-	-	-
M7420	Light, Exam, Mobile	1		C	C	C	C	-	A	-	-	-	-
M7820	Monitor, Fetal, Bedside/Stand Alone	3		C	C	C	C	-	A	-	-	-	D
P3100	Lavatory, Vitreous China, Slab Type	1		A	A	A	A	D	-	-	-	-	-

Room Antepartum Testing, Multiple Station (LDAT2)
Description: Toilet, Unisex (TLTU1)

NSF: 540
56

LDAT2/TLTU1

Sheet
Description: Equipment Schedule

Scale:

Sheet
8

of
9

TLTU1 - EQUIPMENT SCHEDULE

JSN	Nomenclature	Qty	LF	AR	Logistics			Utilities					
					NA	AF	VA	1	2	3	4	5	6
A1066	Mirror, Float Glass, With SS Frame	1		A	A	A	A	-	-	-	-	-	-
A4995	Table, Diaper Changing, Wall Mounted	1		A	A	A	A	-	-	-	-	-	-
A5075	Dispenser, Soap, Disposable	1		C	C	C	C	-	-	-	-	-	-
A5080	Dispenser, Paper Towel, SS, Surface Mounted	1		A	A	A	A	-	-	-	-	-	-
A5090	Disposal, Sanitary Napkin, SS, Surface Mounted	1		A	A	A	A	-	-	-	-	-	-
A5109	Grab Bar, 1-1/4" Dia., SS, 2 Wall, W/C Accessible	2		A	A	A	A	-	-	-	-	-	-
A5145	Hook, Garment, Double, SS, Surface Mounted	1		A	A	A	A	-	-	-	-	-	-
A5200	Dispenser, Toilet Tissue, SS, 2-Roll, Surface Mntd	1		A	A	A	A	-	-	-	-	-	-
F2010	Basket, Wastepaper, Step-On	1		C	C	C	C	-	-	-	-	-	-
P3000	Lavatory, Vitreous China, Straight Back	1		A	A	A	A	D	-	-	-	-	-
P9050	Toilet, Wall Hung, Siphon Jet	1		A	A	A	A	B	-	-	-	-	-

LDAT2 - DATA/TELEPHONE EQUIPMENT

JSN	Nomenclature	Qty	AR	Logistics		
				NA	AF	VA
A1010	Telecommunication Outlet	4	A	A	A	A
A1014	Telephone, Wall Mounted, 1 Line, with Speaker	1	A	A	A	A

Room Antepartum Testing, Multiple Station (LDAT2) Description: Toilet, Unisex (TLTU1)	NSF: 540 56	LDAT2/TLTU1	
Sheet Description: Equipment Schedule	Scale:	Sheet 9	of 9