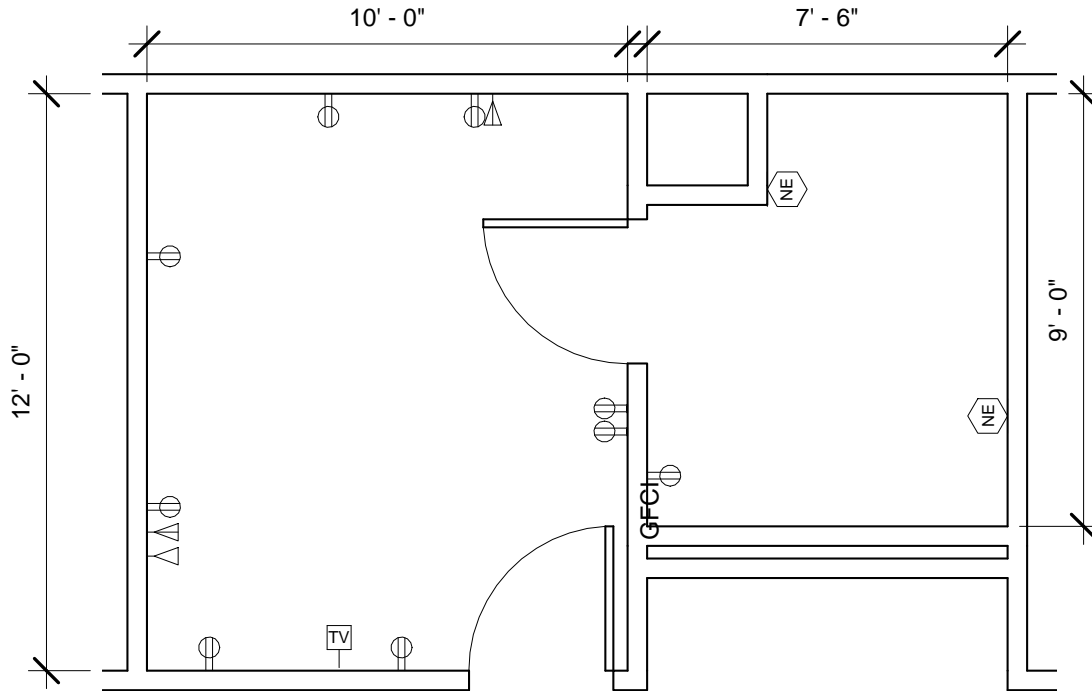
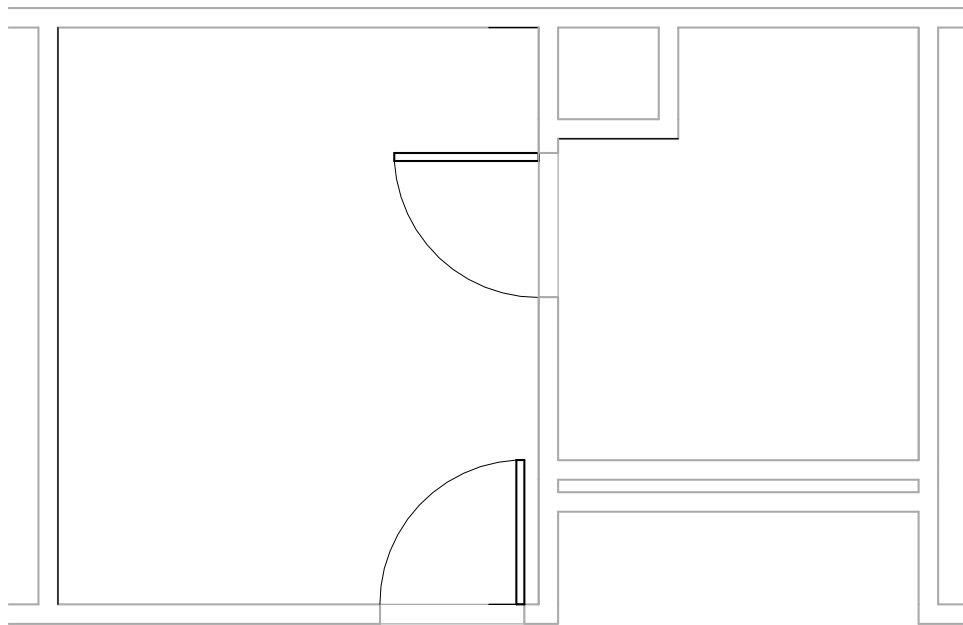


<b>Room</b> On-Call Room (DUTY1) <b>Description:</b> Toilet, Shower, Single (TLTS1)	<b>NSF:</b> 120 60	<b>DUTY1/TLTS1</b>	
<b>Sheet</b> <b>Description:</b> Room/Equipment Isometric	<b>Scale:</b>	Sheet <b>1</b>	of <b>6</b>

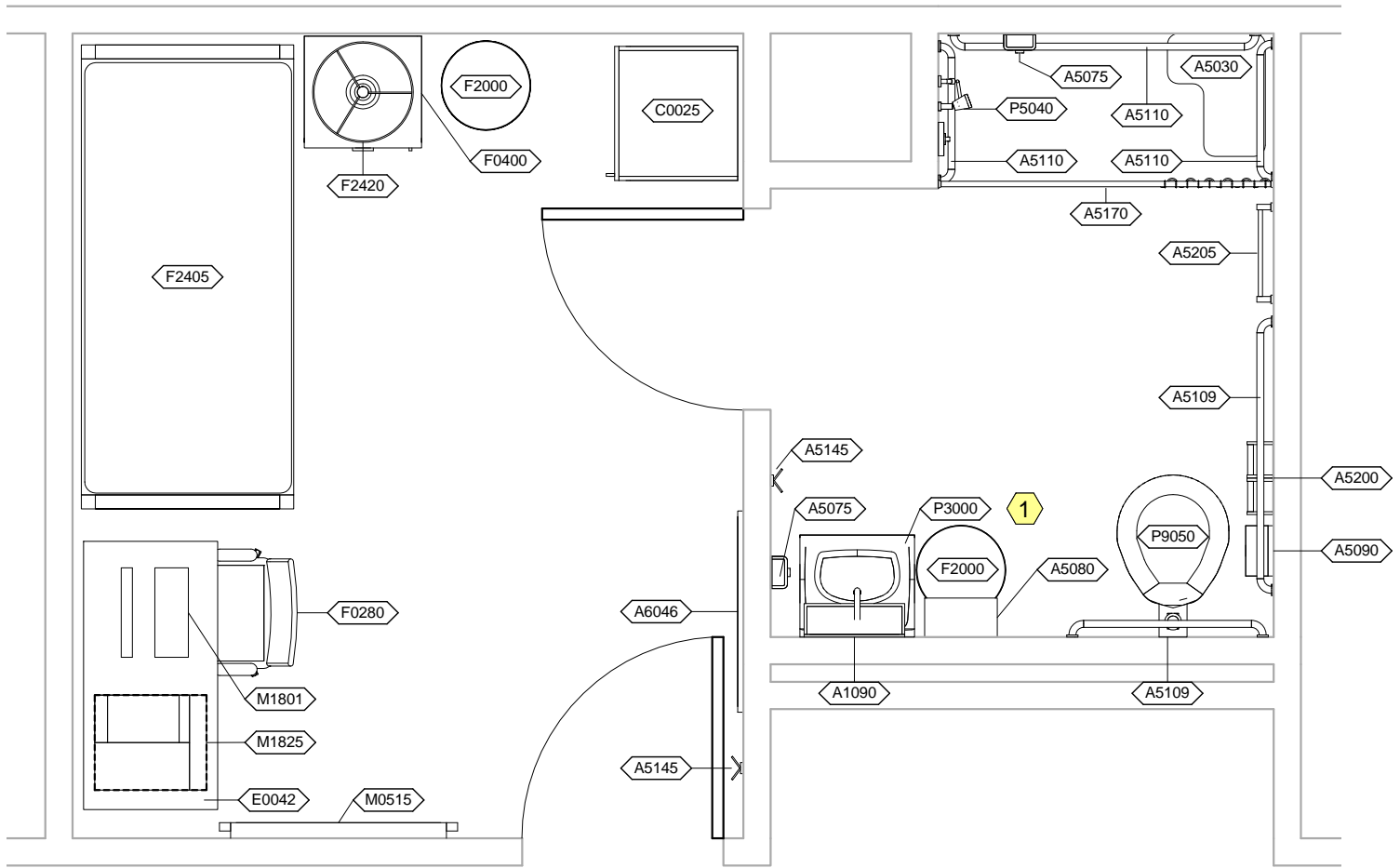


**DUTY1/TLTS1 - FLOOR PLAN**



**DUTY1/TLTS1 - CEILING MOUNTED EQUIPMENT PLAN**

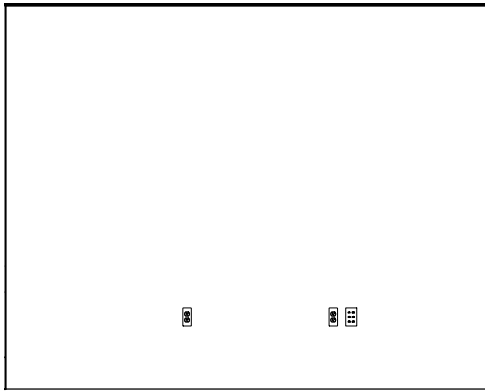
<b>Room</b> On-Call Room (DUTY1) <b>Description:</b> Toilet, Shower, Single (TLTS1)	<b>NSF:</b> 120 60	<b>DUTY1/TLTS1</b>	
<b>Sheet</b> <b>Description:</b> Floor & Ceiling Mounted Equipment Plans	<b>Scale:</b> 1/4" = 1'-0"	Sheet <b>2</b>	of <b>6</b>



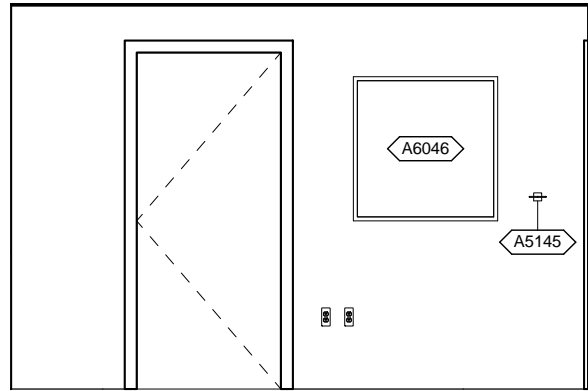
DUTY1/TLTS1 - NOTES

- 1 JSN P8710, Utility Center, shall be included in Navy projects only.

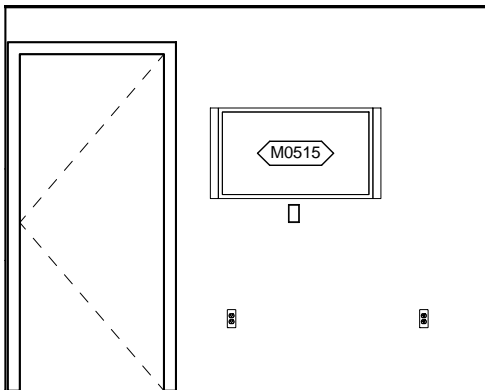
<b>Room</b> On-Call Room (DUTY1) <b>Description:</b> Toilet, Shower, Single (TLTS1)	<b>NSF:</b> 120 60	<b>DUTY1/TLTS1</b>	
<b>Sheet</b> <b>Description:</b> Equipment Plan	<b>Scale:</b> 3/8" = 1'-0"	Sheet <b>3</b>	of <b>6</b>



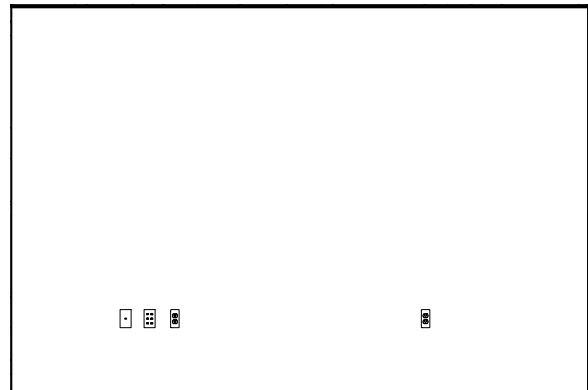
DUTY1 - NORTH ELEVATION



DUTY1 - EAST ELEVATION

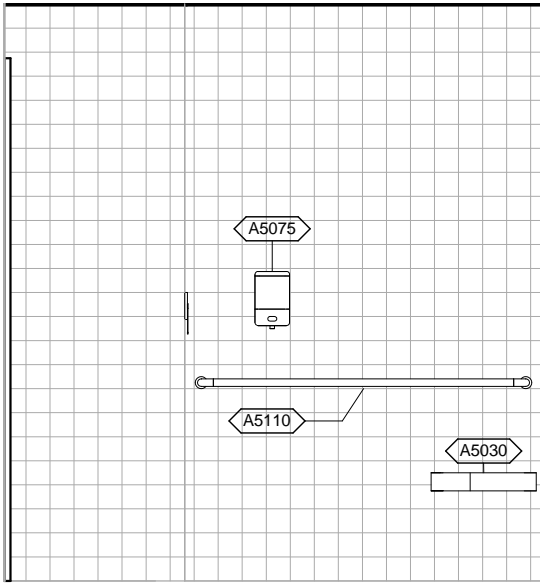


DUTY1 - SOUTH ELEVATION

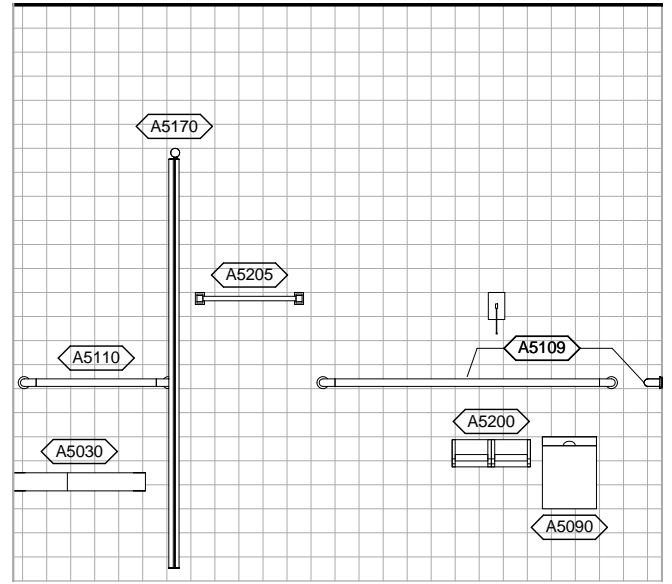


DUTY1 - WEST ELEVATION

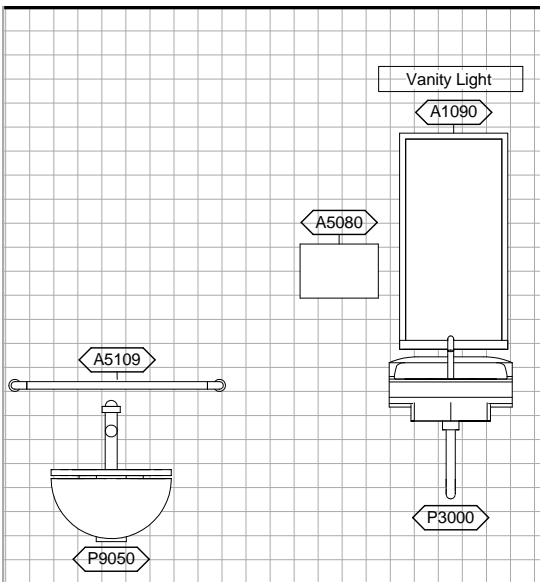
<b>Room</b> On-Call Room (DUTY1) <b>Description:</b> Toilet, Shower, Single (TLTS1)	<b>NSF:</b> 120 60	<b>DUTY1/TLTS1</b>	
<b>Sheet</b> <b>Description:</b> Interior Room Elevations	<b>Scale:</b> 1/4" = 1'-0"	Sheet <b>4</b>	of <b>6</b>



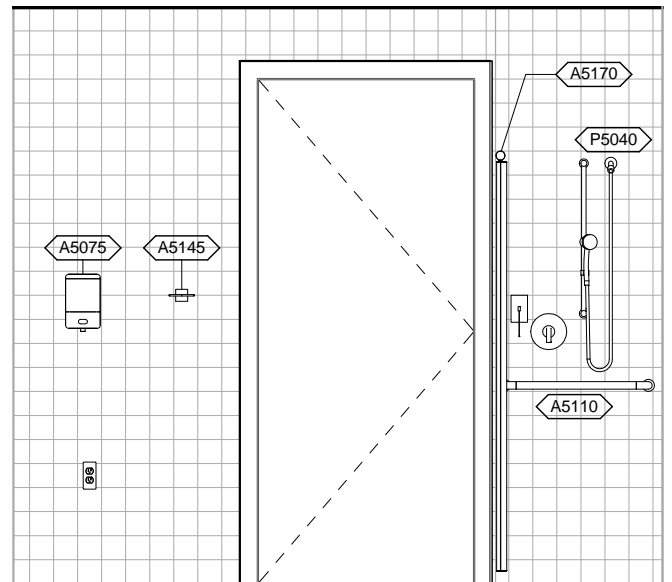
TLTS1 - NORTH ELEVATION



TLTS1 - EAST ELEVATION



TLTS1 - SOUTH ELEVATION



TLTS1 - WEST ELEVATION

<b>Room</b> On-Call Room (DUTY1) <b>Description:</b> Toilet, Shower, Single (TLTS1)	<b>NSF:</b> 120 60	<b>DUTY1/TLTS1</b>	
<b>Sheet</b> <b>Description:</b> Interior Room Elevations	<b>Scale:</b> 3/8" = 1'-0"	Sheet <b>5</b>	of <b>6</b>

DUTY1 - EQUIPMENT SCHEDULE

JSN	Nomenclature	Qty	LF	AR	Logistics			Utilities					
					NA	AF	VA	1	2	3	4	5	6
A5145	Hook, Garment, Double, SS, Surface Mounted	1		A	A	A	A	-	-	-	-	-	-
A6046	Artwork, Decorative, With Frame	1		C	C	C	C	-	-	-	-	-	-
C0025	Cabinet, Wardrobe, 1 Door, 84x24x22	1		A	A	A	A	-	-	-	-	-	-
E0042	Workcenter, Computer, Free Standing, 48" W	1		C	C	C	C	-	-	-	-	-	-
F0280	Chair, Swivel, Low Back	1		C	C	C	C	-	-	-	-	-	-
F0400	Cabinet, Bedside, Door, Drawer	1		A	A	A	A	-	-	-	-	-	-
F2000	Basket, Wastepaper, Round, Metal	1		C	C	C	C	-	-	-	-	-	-
F2405	Bed, Non-medical, Single	1		C	C	C	C	-	-	-	-	-	-
F2420	Lamp, Table, With Shade	1		C	C	C	C	-	A	-	-	-	-
M0515	Television, Plasma	1		C	C	C	C	-	A	-	-	-	A
M1801	Computer, Microprocessing, w/Flat Panel Monitor	1		C	C	C	C	-	A	-	-	-	-
M1825	Printer, Computer	1		C	C	C	C	-	A	-	-	-	-

TLTS1 - EQUIPMENT SCHEDULE

JSN	Nomenclature	Qty	LF	AR	Logistics			Utilities					
					NA	AF	VA	1	2	3	4	5	6
A1090	Mirror, Float Glass, With SS Frame & Shelf	1		A	A	A	A	-	-	-	-	-	-
A5030	Bench, Stall, Shower, Built In	1		A	A	A	A	-	-	-	-	-	-
A5075	Dispenser, Soap, Disposable	2		C	C	C	C	-	-	-	-	-	-
A5080	Dispenser, Paper Towel, SS, Surface Mounted	1		A	A	A	A	-	-	-	-	-	-
A5090	Disposal, Sanitary Napkin, SS, Surface Mounted	1		A	A	A	A	-	-	-	-	-	-
A5109	Grab Bar, 1-1/4" Dia., SS, 2 Wall, W/C Accessible	2		A	A	A	A	-	-	-	-	-	-
A5110	Grab Bar, 1-1/4" Dia., SS, 2 Wall, Shower Use	3		A	A	A	A	-	-	-	-	-	-
A5145	Hook, Garment, Double, SS, Surface Mounted	1		A	A	A	A	-	-	-	-	-	-
A5170	Rod, Shower Curtain, 1"Diameter, W/Curtain & Hooks	1		A	A	A	A	-	-	-	-	-	-
A5200	Dispenser, Toilet Tissue, SS, 2-Roll, Surface Mntd	1		A	A	A	A	-	-	-	-	-	-
A5205	Bar, Towel, 1" Diameter, SS, Surface Mounted	1		A	A	A	A	-	-	-	-	-	-
F2000	Basket, Wastepaper, Round, Metal	1		C	C	C	C	-	-	-	-	-	-
P3000	Lavatory, Vitreous China, Straight Back	1		A	A	A	A	D	-	-	-	-	-
P5040	Shower, Single, Hand-Held	1		A	A	A	A	D	-	-	-	-	-
P9050	Toilet, Wall Hung, Siphon Jet	1		A	A	A	A	B	-	-	-	-	-

DUTY1 - DATA/TELEPHONE EQUIPMENT

JSN	Nomenclature	Qty	AR	Logistics		
				NA	AF	VA
A1010	Telecommunication Outlet	2	A	A	A	A
A1015	Telephone, Desk, Multiple Line	1	A	A	A	A

<b>Room</b> On-Call Room (DUTY1) <b>Description:</b> Toilet, Shower, Single (TLTS1)	<b>NSF:</b> 120 60	DUTY1/TLTS1	
<b>Sheet</b> <b>Description:</b> Equipment Schedule	<b>Scale:</b>	Sheet <span style="font-size: 24pt; font-weight: bold;">6</span>	of <span style="font-size: 24pt; font-weight: bold;">6</span>