

KEY NOTES

- 1. X-RAY REMOTE CONTROL W/CORDED SWITCH

**DENTAL TREATMENT ROOM,
PROSTHODONTICS(DNTP1)**

3.20.07

DENTAL CLINIC

0 1000 2000

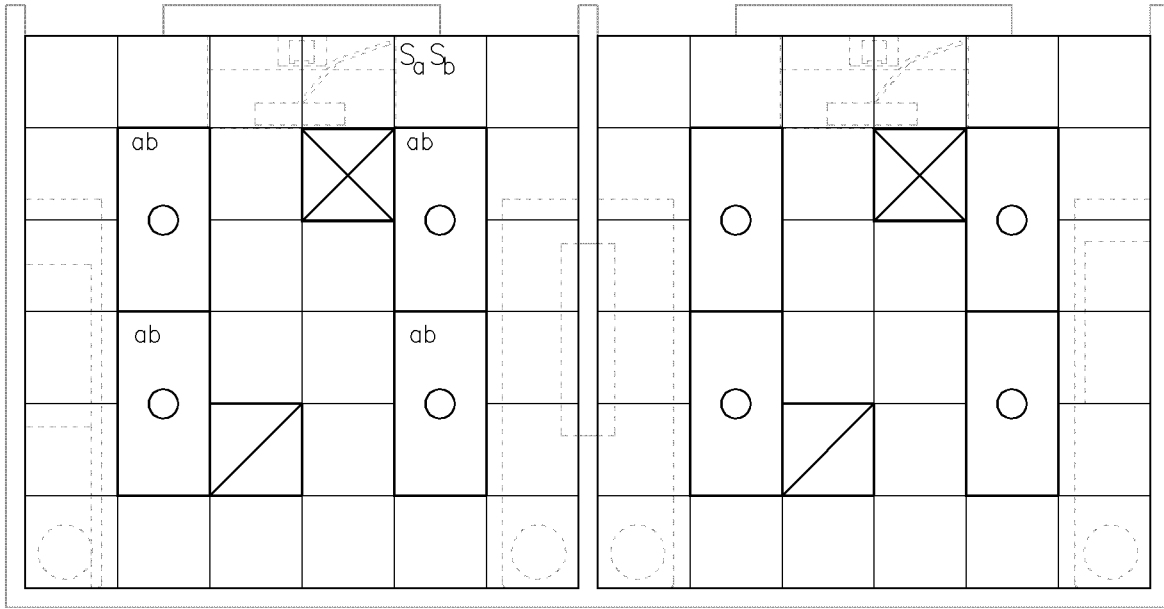
FLOOR/EQUIPMENT PLAN

13.38 NSM (144 NSF)



DATE: 04/24/2006

1:50 SCALE (MILLIMETERS)



**DENTAL TREATMENT ROOM,
PROSTHODONTICS(DNTP1)**

3.20.07

DENTAL CLINIC

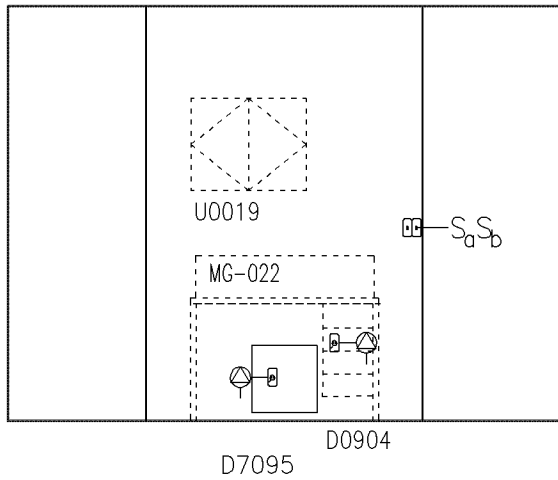
CEILING PLAN

DATE: 04/24/2006

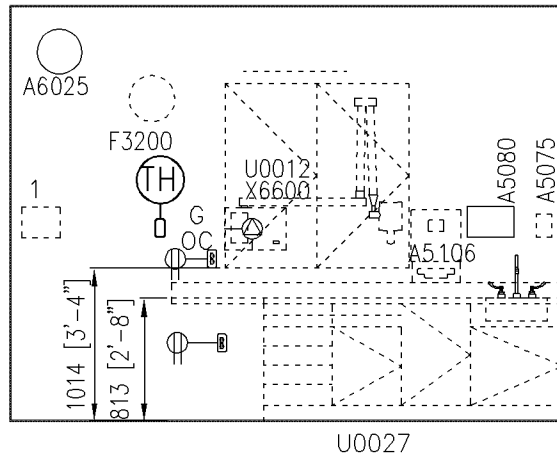
0 1000 2000



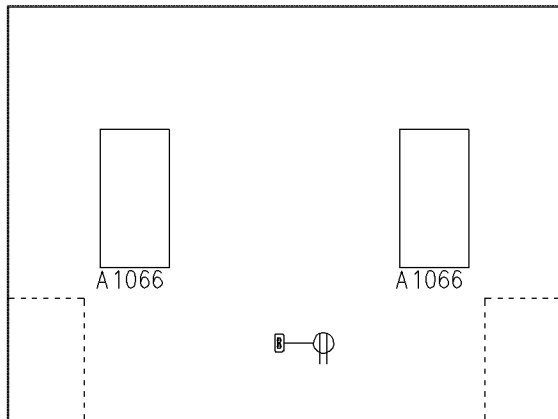
1:50 SCALE (MILLIMETERS)



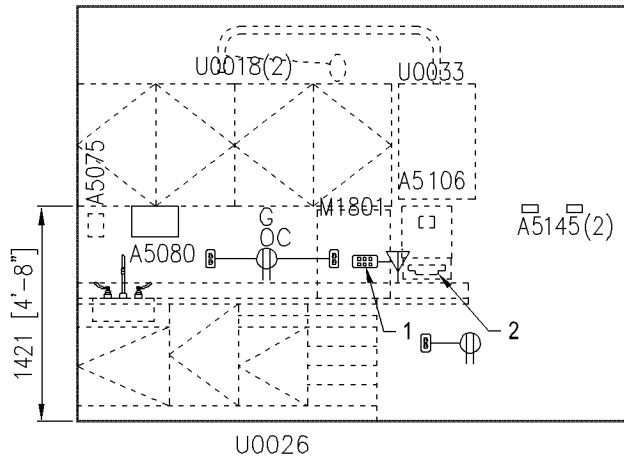
NORTH



EAST



SOUTH



WEST

NOTES

1. SEE TYPICAL EQUIPMENT MOUNTING HEIGHTS SCHEDULE, SECTION 7.01

KEY NOTES

1. EMPTY 3/4" CONDUIT TO D7090
2. LOCATE AT TOP OF BACK SPLASH AS NECESSARY TO AVOID LIGHT MOUNTING PLATE

**DENTAL TREATMENT ROOM,
PROSTHODONTICS(DNTP1)**

3.20.07

DENTAL CLINIC

ELEVATIONS

DATE: 04/24/2006

0 1000 2000



1:50 SCALE (MILLIMETERS)

Medical Equipment Room Guide Plates

3.20 Dental Unit

Plate Number 3.20.07

Room Name: Dental Treatment Room, Prosthodontics

SEPS# DNTP1

JSN	Nomenclature	Qty	Army	Navy	AF Cat	Utilities					
			Cat	Cat		1	2	3	4	5	6
A1066	Mirror, Float Glass, With SS Frame	2	A	A	A
A5075	Dispenser, Soap, Disposable	2	C	C	C
A5080	Dispenser, Paper Towel, SS, Surface Mounted	2	A	A	A
A5106	Waste Disposal Unit, Sharps w/Glove Dispenser	2	C	C	C
A5145	Hook, Garment, Double, SS, Surface Mounted	2	A	A	A
A6025	Mirror, Safety , Convex, 8" Dia.	1	A	A	A
D0904	Workstation, Tech, Dental, Lab, Single Station	1	F	F	F	.	A	D	.	A	.
D3320	Chair, Operating, Dental	1	C	C	C	B	A	H	.	.	D
D3380	Stool, Operating, Dental, Doctor	1	C	C	C
D3390	Stool, Operating, Dental, Assistant	1	C	C	C
D7090	Utility Center, Dental, Floor Mounted	1	C	B	B	B	A	H	.	.	.
D8250	Delivery System, Dental Operating	1	C	C	C	B	B	H	.	.	.
F2010	Basket, Wastepaper, Step-On	2	C	C	C
F3200	Clock, Battery, 12" Diameter	1	C	C	C
M1801	Computer, Microprocessing, w/Flat Panel Monitor	1	C	C	C	.	A
U0012	Cabinet, Dental, X-ray, Shared, 50" W.	1	A	E	E
U0015	Digital x-ray unit	1	F	F	F	.	A
U0018	Cabinet, Dental, Wall, 42"	2	A	E	E
U0019	Cabinet Dental Wall, 26"	1	A	E	E
U0020	Cart, Mobile, with Assistant Delivery	1	C	C	C	B	A	H	.	.	.
U0026	Cabinet, Dental, Doctor's, Prosthodontic	1	A	E	E	B
U0027	Cabinet, Dental, Assistant's, Prosthodontic	1	A	E	E	B
U0033	Light, Dental, Operating, Wall-Mounted	1	A	E	E	.	F	.	.	.	J
U0035	Utility Wall Plate, Dental	1	C	B	B
X6600	Radiographic Unit, Dental, Wall Mounted, 7 Ma (Shared)	1	F	F	F	.	A	.	.	.	B

April 24, 2006