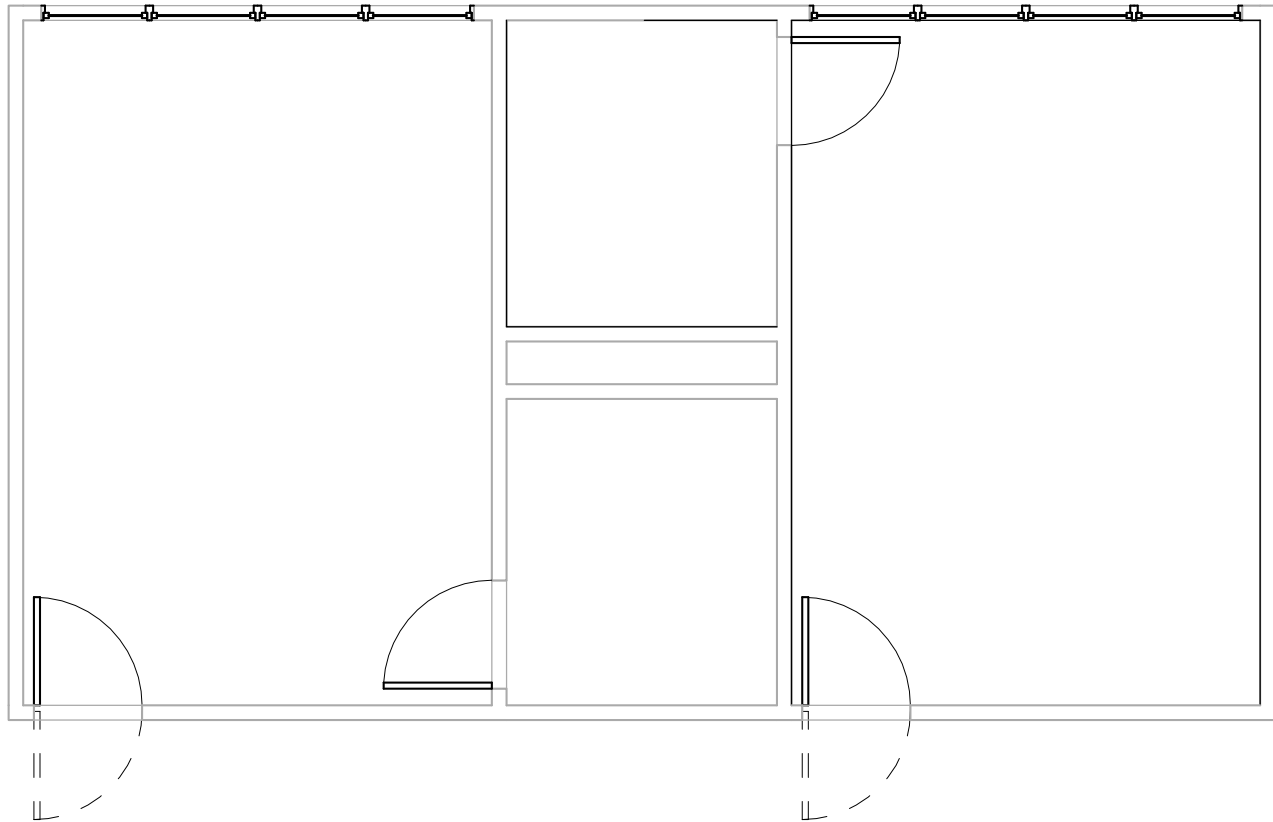
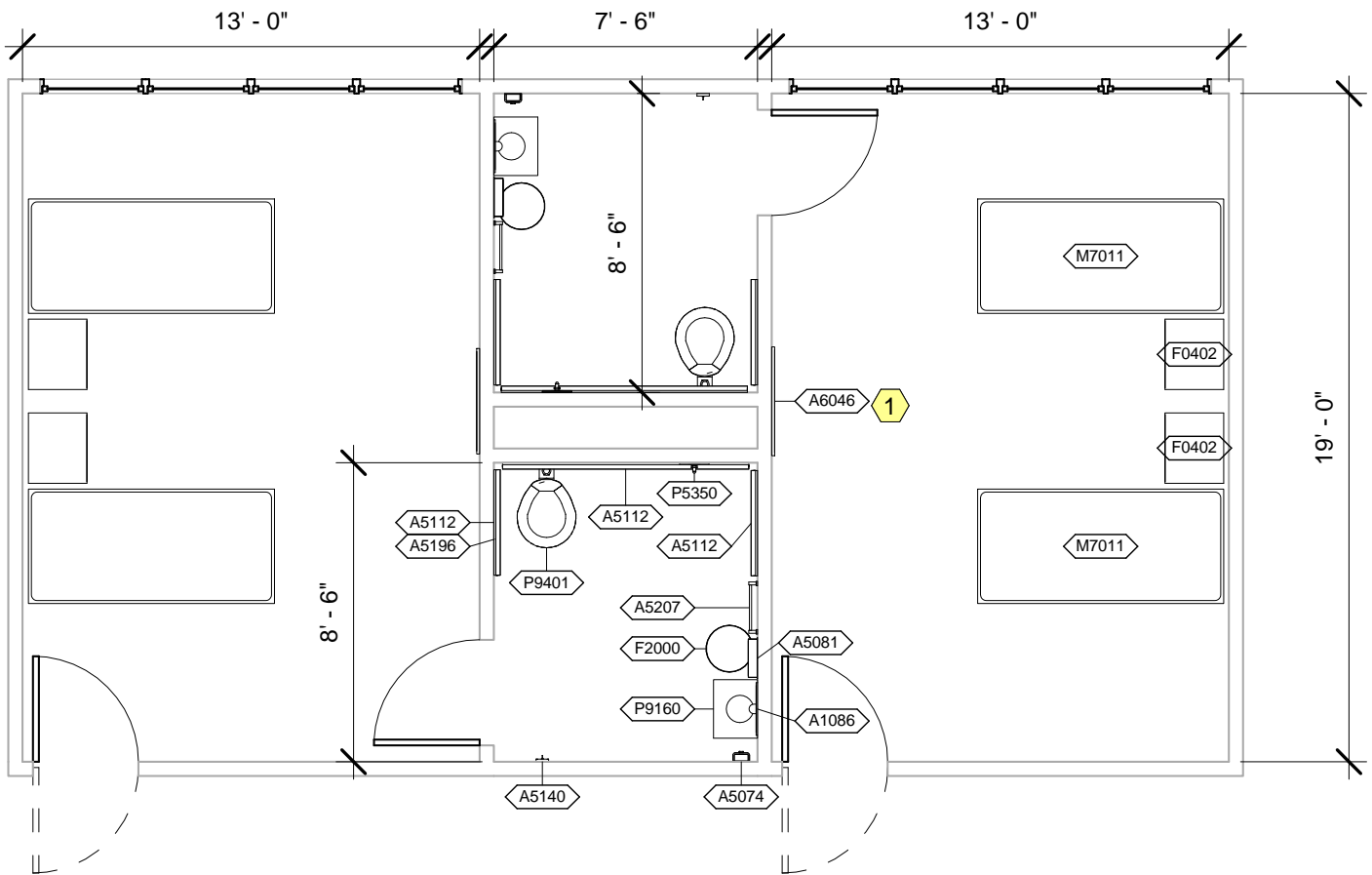


Room Bedroom, Behavioral Health, Two Beds (BRNP2) Description: Toilet/Shower, Behavioral Health (TLTP3)	NSF: 250 60	BRNP2/TLTP3	
Sheet Description: Room/Equipment Isometric	Scale:	Sheet 1	of 6



BRNP2 - CEILING MOUNTED EQUIPMENT PLAN

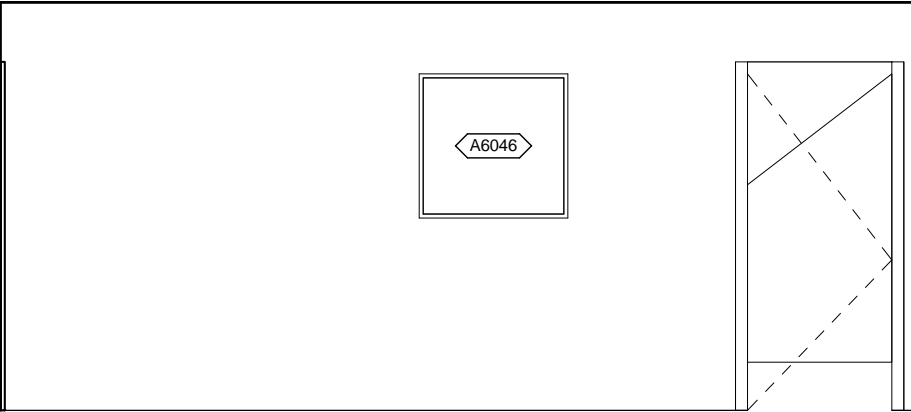
Room Bedroom, Behavioral Health, Two Beds (BRNP2) Description: Toilet/Shower, Behavioral Health (TLTP3)	NSF: 250 60	BRNP2/TLTP3	
Sheet Description: Ceiling Mounted Equipment Plan	Scale: 3/16" = 1'-0"	Sheet 2	of 6



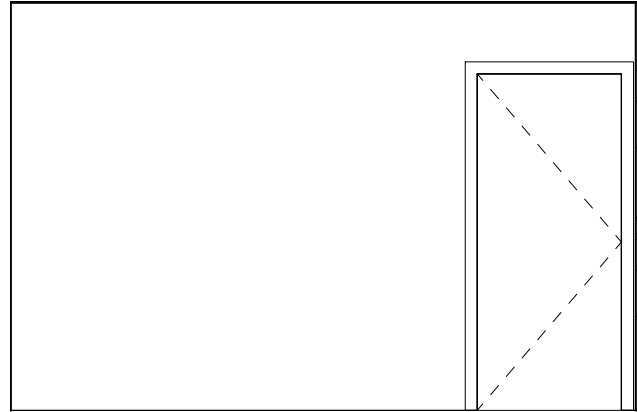
BRNP2 - NOTES

- 1 Artwork to comply with Behavioral Health regulations.

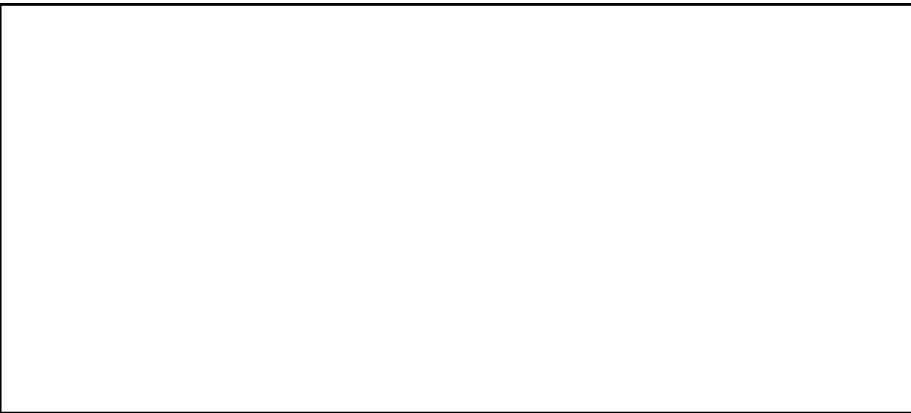
Room Bedroom, Behavioral Health, Two Beds (BRNP2) Description: Toilet/Shower, Behavioral Health (TLTP3)	NSF: 250 60	BRNP2/TLTP3	
Sheet Description: Equipment Plan	Scale: 3/16" = 1'-0"	Sheet 3	of 6



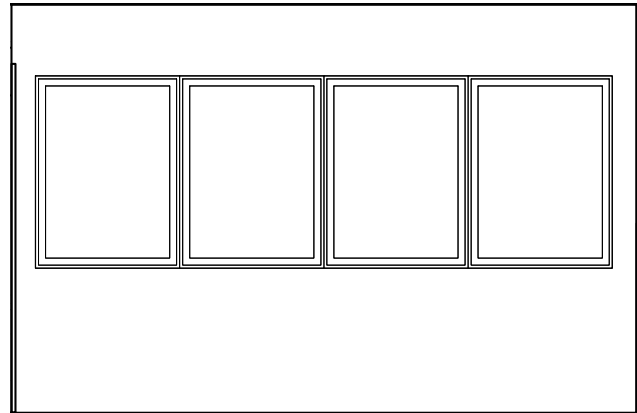
BRNP2 - NORTH ELEVATION



BRNP2 - EAST ELEVATION



BRNP2 - SOUTH ELEVATION



BRNP2 - WEST ELEVATION

Room Bedroom, Behavioral Health, Two Beds (BRNP2)
Description: Toilet/Shower, Behavioral Health (TLTP3)

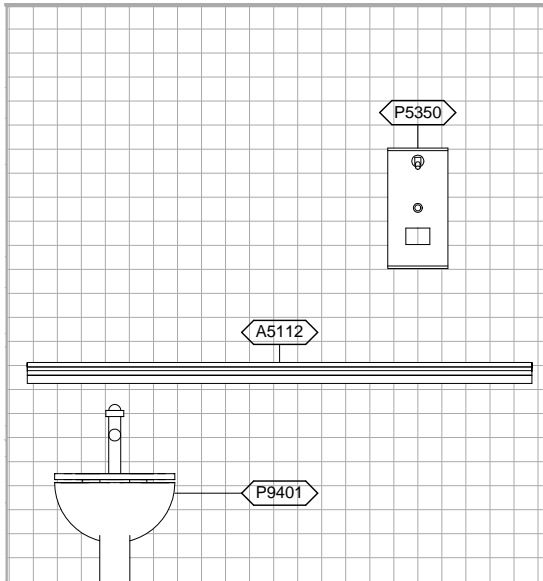
NSF: 250
60

BRNP2/TLTP3

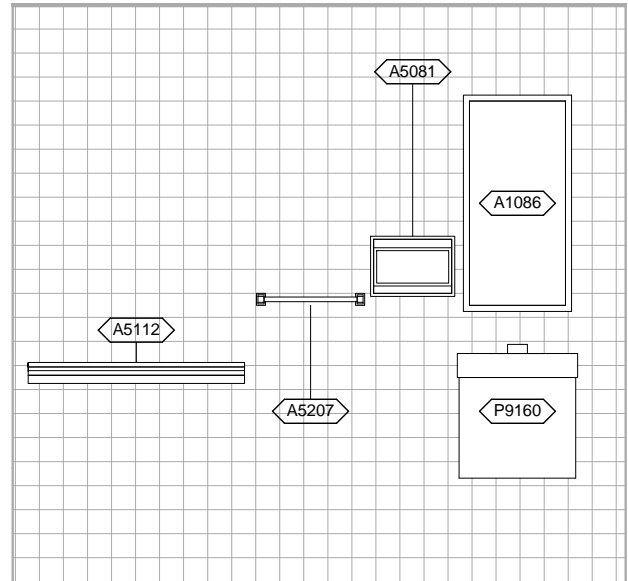
Sheet
Description: Interior Room Elevations

Scale: 1/4" = 1'-0"

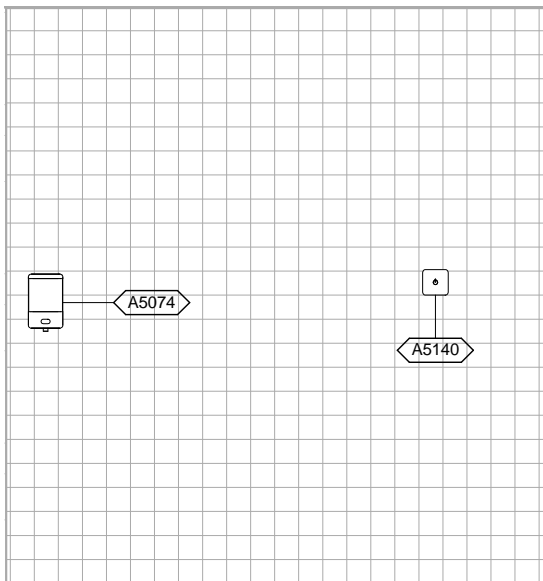
Sheet	of
4	6



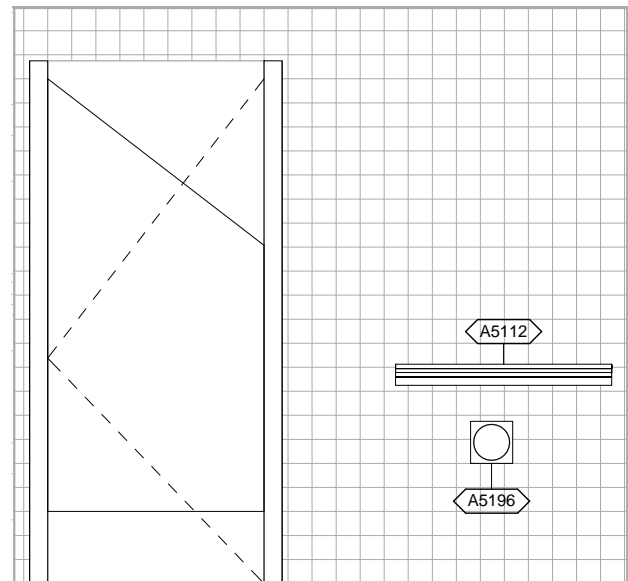
TLTP3 - NORTH ELEVATION



TLTP3 - EAST ELEVATION



TLTP3 - SOUTH ELEVATION



TLTP3 - WEST ELEVATION

Room Bedroom, Behavioral Health, Two Beds (BRNP2) Description: Toilet/Shower, Behavioral Health (TLTP3)	NSF: 250 60	BRNP2/TLTP3	
Sheet Description: Interior Room Elevations	Scale: 3/8" = 1'-0"	Sheet 5	of 6

BRNP2 - EQUIPMENT SCHEDULE

JSN	Nomenclature	Qty	AR	Logistics			Utilities					
				NA	AF	VA	1	2	3	4	5	6
A6046	Artwork, Decorative, With Frame	1	C	C	C	C	-	-	-	-	-	-
F0402	Cabinet, Bedside, 2 Shelf, Psychiatric	2	C	C	C	C	-	-	-	-	-	-
M7011	Bed, Platform, Without Visible Legs, Psychiatric	2	C	C	C	C	-	-	-	-	-	-

TLTP3 - EQUIPMENT SCHEDULE

JSN	Nomenclature	Qty	AR	Logistics			Utilities					
				NA	AF	VA	1	2	3	4	5	6
A1086	Mirror, Psychiatric	1	A	A	A	A	-	-	-	-	-	-
A5074	Dispenser, Soap, Psychiatric	1	C	C	C	C	-	-	-	-	-	-
A5081	Dispenser, Paper Towel, Psychiatric	1	A	A	A	A	-	-	-	-	-	-
A5112	Grab Bar, Psychiatric	3	A	A	A	A	-	-	-	-	-	-
A5140	Hook, Garment, Security	1	A	A	A	A	-	-	-	-	-	-
A5196	Dispenser, Toilet Tissue, Psychiatric	1	A	A	A	A	-	-	-	-	-	-
A5207	Bar, Towel, 1" Diameter, SS, Surface Mntd, Psych	1	A	A	A	A	-	-	-	-	-	-
F2000	Basket, Wastepaper, Round, Metal	1	C	C	C	C	-	-	-	-	-	-
P5350	Shower, Patient, Psychiatric	1	A	A	A	A	D	-	-	-	-	-
P9160	Lavatory, Vanity-top, Button Controlled, Psychiatric	1	A	A	A	A	D	-	-	-	-	-
P9401	Toilet, Floor-mounted, Psychiatric	1	A	A	A	A	-	-	-	-	-	-

Room Bedroom, Behavioral Health, Two Beds (BRNP2) Description: Toilet/Shower, Behavioral Health (TLTP3)	NSF: 250 60	BRNP2/TLTP3	
Sheet Description: Equipment Schedule	Scale:	Sheet 6	of 6