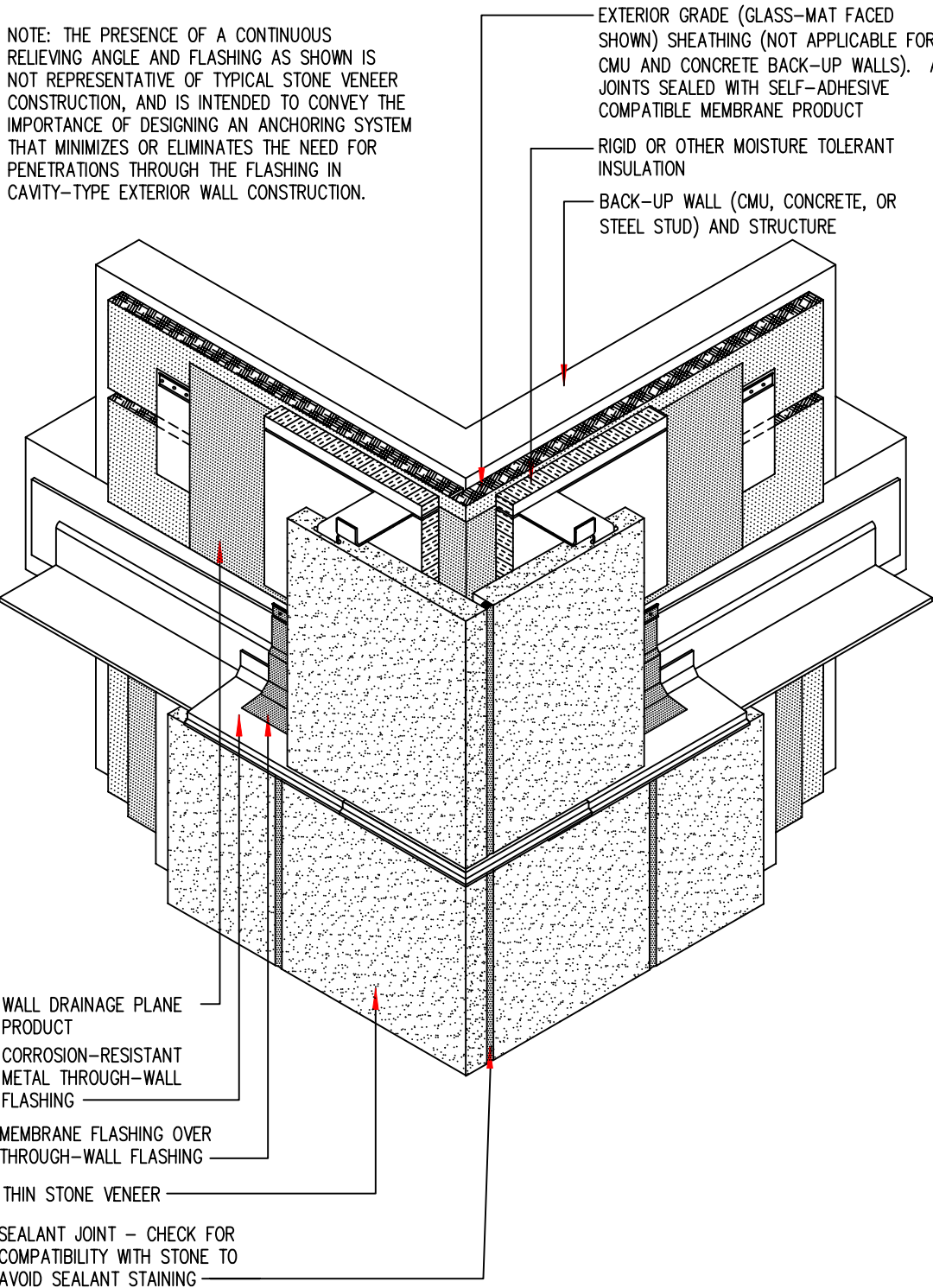


NOTE: THE PRESENCE OF A CONTINUOUS RELIEVING ANGLE AND FLASHING AS SHOWN IS NOT REPRESENTATIVE OF TYPICAL STONE VENEER CONSTRUCTION, AND IS INTENDED TO CONVEY THE IMPORTANCE OF DESIGNING AN ANCHORING SYSTEM THAT MINIMIZES OR ELIMINATES THE NEED FOR PENETRATIONS THROUGH THE FLASHING IN CAVITY-TYPE EXTERIOR WALL CONSTRUCTION.



WALL DRAINAGE PLANE PRODUCT  
CORROSION-RESISTANT METAL THROUGH-WALL FLASHING  
MEMBRANE FLASHING OVER THROUGH-WALL FLASHING  
THIN STONE VENEER  
SEALANT JOINT – CHECK FOR COMPATIBILITY WITH STONE TO AVOID SEALANT STAINING

EXTERIOR GRADE (GLASS-MAT FACED SHOWN) SHEATHING (NOT APPLICABLE FOR CMU AND CONCRETE BACK-UP WALLS). ALL JOINTS SEALED WITH SELF-ADHESIVE COMPATIBLE MEMBRANE PRODUCT  
RIGID OR OTHER MOISTURE TOLERANT INSULATION  
BACK-UP WALL (CMU, CONCRETE, OR STEEL STUD) AND STRUCTURE

**KEY CONCEPTS:**

The dimensions and material relationships shown in this detail are **not to scale** and have been exaggerated for clarity. Actual dimensions will vary, and should be carefully coordinated with sequencing and construction tolerances to ensure the long-term durability and performance of this and similar exterior wall details.

Interface conditions between building envelope materials, components and systems should be fully detailed in a manner that is both technically sound and serviceable. Detailing should, at a minimum, allow for coordination of drainage planes when two or more different wall types are used in the same facade; allow for thermal and moisture-induced changes in material properties and differential thermal movement; and allow for in-service deflection, shrinkage, creep and similar behavior considered to be within the allowable structural limits of the project without compromise to the weather-tight integrity and thermal performance of the building envelope.

The air barrier can either be formed by an exterior side air barrier or by employing the interior side airtight drywall approach.

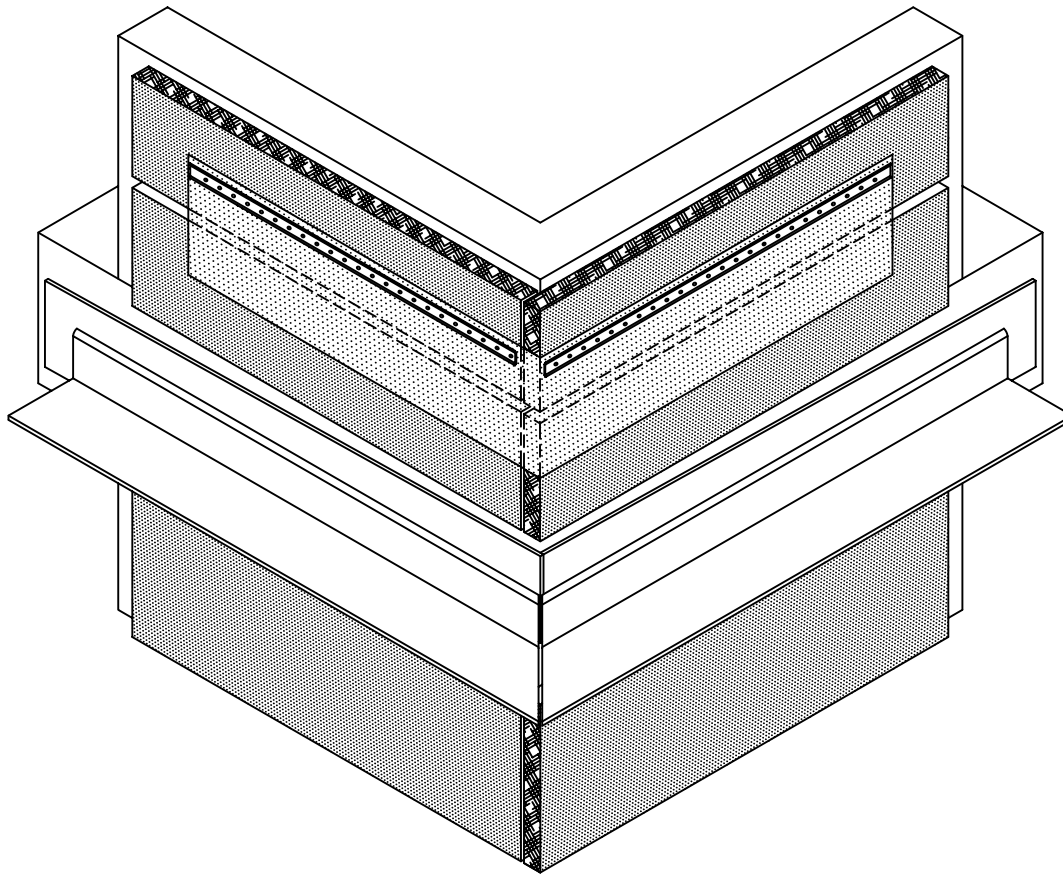
The location of or need for a vapor retarder within wall assemblies will vary based upon climate, and can be significantly influenced by the storage capacity and vapor permeance of the materials selected for each layer of the wall system. A climate-specific, hygrothermal analysis for any wall assembly should be considered to further evaluate this concern.

See the General section of the WBDG for additional information and guidance.

**STONE VENEER  
OUTSIDE CORNER -  
OVERALL DETAIL**

CONCEPTUAL – NOT FOR CONSTRUCTION

The details, graphics and related information shown above are intended to illustrate basic design concepts and principles only and should be considered collectively with the appropriate narrative sections of the Whole Building Design Guide (WBDG). The information contained herein is not intended for actual construction, and is subject to revision based on changes and/or refinements in local, state and national building codes, emerging building envelope technologies, and advancements in the research and understanding of building envelope failure and failure mechanisms. The actual design and configuration of these and similar details will vary based upon applicable local, state and national building code requirements, climatic considerations, and economic constraints unique to each project. Full compliance with the manufacturer's recommendations and recognized industry standards for each building envelope material, component and system specified for this and similar exterior wall assemblies is recommended, and should be reflected in the appropriate sections of the project specifications.



**STEP 1:**

INSTALL GLASS MAT FACED EXTERIOR SHEATHING OVER BACK-UP WALLS. INSTALL FOLLOWING ALL MANUFACTURER INSTRUCTIONS. INSTALL HORIZONTAL JOINT SEAL (PEEL-AND-STICK MEMBRANE SHOWN) SECURE PER MANUFACTURER INSTRUCTIONS. ENSURE ALL SURFACES ARE PRIMED PRIOR TO INSTALLING HORIZONTAL JOINT SEAL. SECURE UPPER EDGE WITH TERMINATION BAR AND FASTENERS (NOT SHOWN ON OTHER STEPS FOR CLARITY). THE LOCATION OF THE JOINTS SHOWN ARE FOR INFORMATIONAL PURPOSES ONLY AND ARE INTENDED TO CONVEY EXTERIOR SHEATHING JOINT SEALING CONCEPTS.

THE JOINT BETWEEN THE SHEATHING AND SLAB IS TO BE SEALED WITH A HORIZONTAL JOINT SEAL (SELF-ADHESIVE FLASHING) TO PROVIDE AIR BARRIER CONTINUITY AT THIS INTERFACE. DEPENDING ON THE DRAINAGE PLANE PRODUCT, THIS PRODUCT MAY BE USED TO PROVIDE FOR THE AIR BARRIER CONTINUITY AT THIS INTERFACE. A DETAIL SHOULD BE INCLUDED IN THE DRAWINGS FOR THE PROJECT SHOWING WHAT METHOD IS TO BE USED AT THIS INTERFACE TO PROVIDE AIR BARRIER CONTINUITY. THE DETAILS IN THIS SET SHOW THIS USING THE DRAINAGE PLANE PRODUCT.

CONCEPTUAL – NOT FOR CONSTRUCTION

**KEY CONCEPTS:**

The dimensions and material relationships shown in this detail are not to scale and have been exaggerated for clarity. Actual dimensions will vary, and should be carefully coordinated with sequencing and construction tolerances to ensure the long-term durability and performance of this and similar exterior wall details.

Interface conditions between building envelope materials, components and systems should be fully detailed in a manner that is both technically sound and serviceable. Detailing should, at a minimum, allow for coordination of drainage planes when two or more different wall types are used in the same facade; allow for thermal and moisture-induced changes in material properties and differential thermal movement; and allow for in-service deflection, shrinkage, creep and similar behavior considered to be within the allowable structural limits of the project without compromise to the weather-tight integrity and thermal performance of the building envelope.

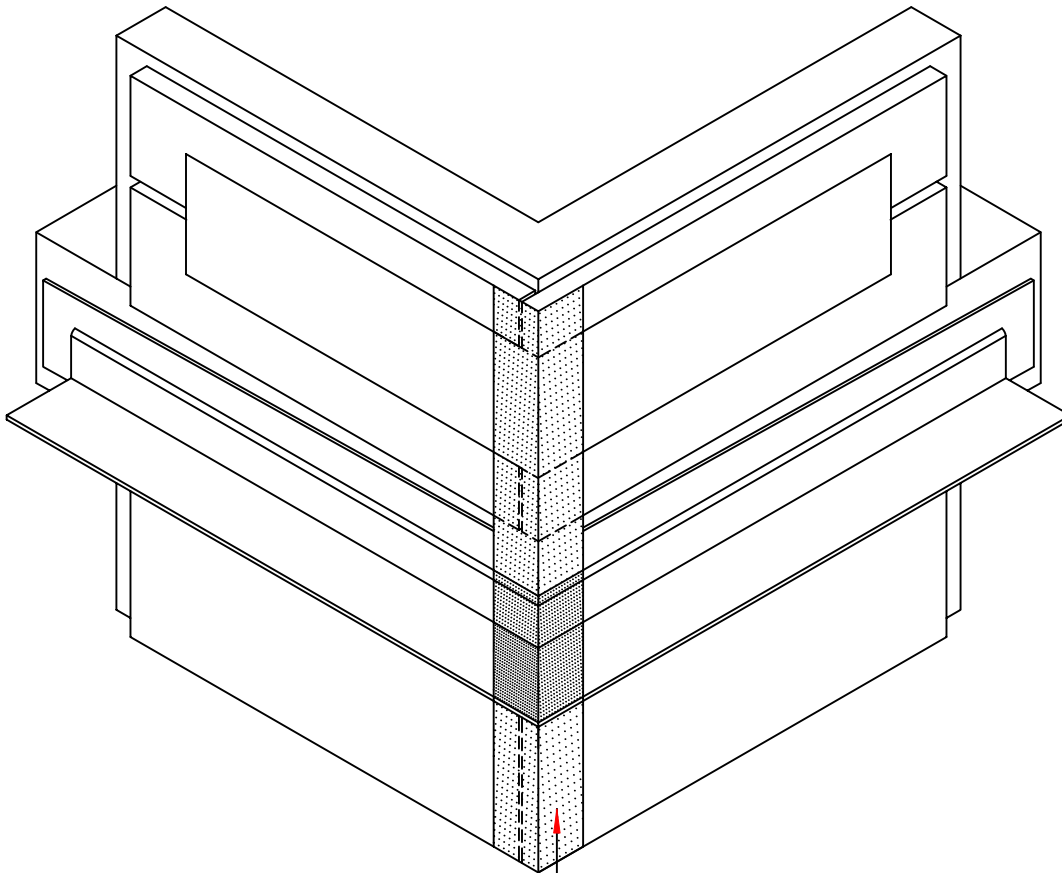
The air barrier can either be formed by an exterior side air barrier or by employing the interior side airtight drywall approach.

The location of or need for a vapor retarder within wall assemblies will vary based upon climate, and can be significantly influenced by the storage capacity and vapor permeance of the materials selected for each layer of the wall system. A climate-specific, hygrothermal analysis for any wall assembly should be considered to further evaluate this concern.

See the General section of the WBDG for additional information and guidance.

**STONE VENEER  
OUTSIDE CORNER -  
STEP 1**

The details, graphics and related information shown above are intended to illustrate basic design concepts and principles only and should be considered collectively with the appropriate narrative sections of the Whole Building Design Guide (WBDG). The information contained herein is not intended for actual construction, and is subject to revision based on changes and/or refinements in local, state and national building codes, emerging building envelope technologies, and advancements in the research and understanding of building envelope failure and failure mechanisms. The actual design and configuration of these and similar details will vary based upon applicable local, state and national building code requirements, climatic considerations, and economic constraints unique to each project. Full compliance with the manufacturer's recommendations and recognized industry standards for each building envelope material, component and system specified for this and similar exterior wall assemblies is recommended, and should be reflected in the appropriate sections of the project specifications.



STEP 2:  
 INSTALL VERTICAL CORNER JOINT SEAL (PEEL-AND-STICK MEMBRANE SHOWN) SECURE PER MANUFACTURER INSTRUCTIONS. ENSURE ALL SURFACES ARE PRIMED PRIOR TO INSTALLING JOINT SEAL. INSTALL THE LOWER MATERIAL FIRST LAPPED ONTO THE RELIEVING ANGLE AND THE UPPER MATERIAL INSTALLED OVERLAPPING THE ANGLE PER THE MANUFACTURER'S MINIMUM PLUS 1-INCH.

**KEY CONCEPTS:**

The dimensions and material relationships shown in this detail are not to scale and have been exaggerated for clarity. Actual dimensions will vary, and should be carefully coordinated with sequencing and construction tolerances to ensure the long-term durability and performance of this and similar exterior wall details.

Interface conditions between building envelope materials, components and systems should be fully detailed in a manner that is both technically sound and serviceable. Detailing should, at a minimum, allow for coordination of drainage planes when two or more different wall types are used in the same facade; allow for thermal and moisture-induced changes in material properties and differential thermal movement; and allow for in-service deflection, shrinkage, creep and similar behavior considered to be within the allowable structural limits of the project without compromise to the weather-tight integrity and thermal performance of the building envelope.

The air barrier can either be formed by an exterior side air barrier or by employing the interior side airtight drywall approach.

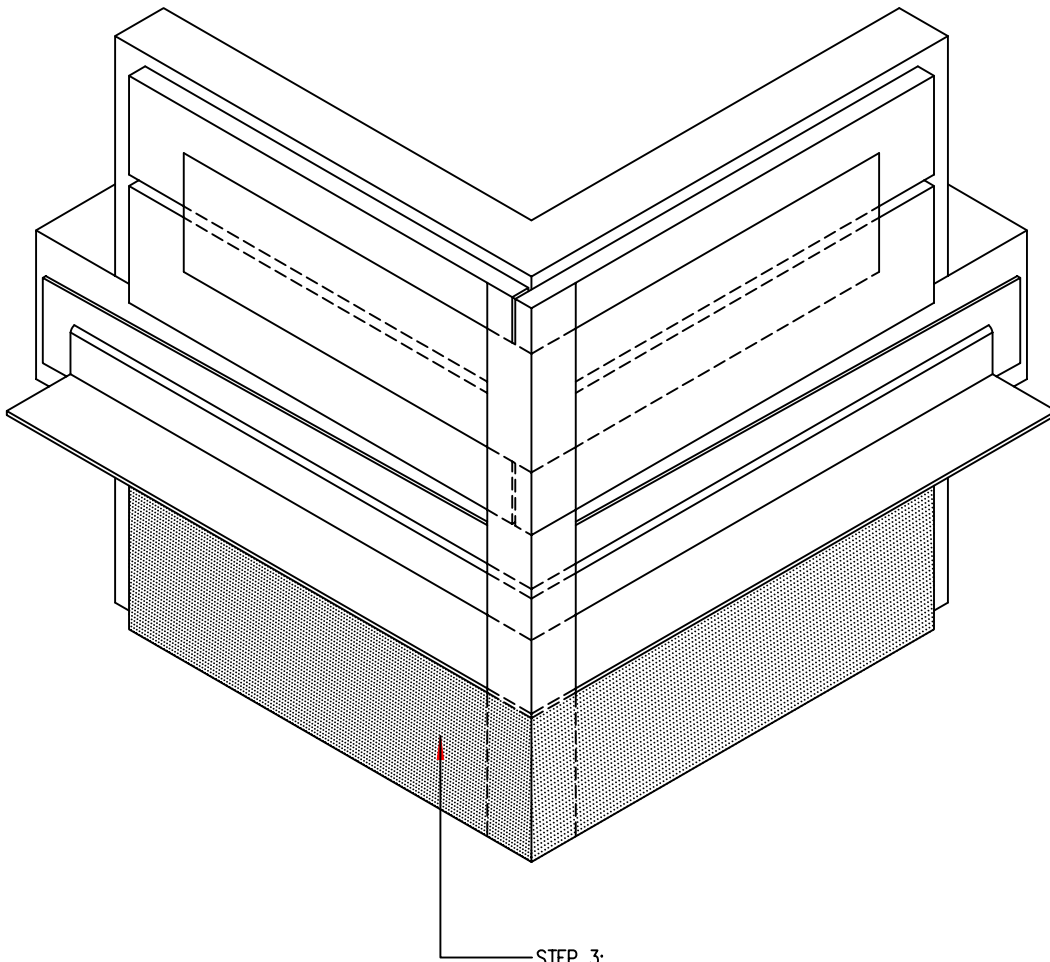
The location of or need for a vapor retarder within wall assemblies will vary based upon climate, and can be significantly influenced by the storage capacity and vapor permeance of the materials selected for each layer of the wall system. A climate-specific, hygrothermal analysis for any wall assembly should be considered to further evaluate this concern.

See the General section of the WBDG for additional information and guidance.

**STONE VENEER  
 OUTSIDE CORNER -  
 STEP 2**

CONCEPTUAL – NOT FOR CONSTRUCTION

The details, graphics and related information shown above are intended to illustrate basic design concepts and principles only and should be considered collectively with the appropriate narrative sections of the Whole Building Design Guide (WBDG). The information contained herein is not intended for actual construction, and is subject to revision based on changes and/or refinements in local, state and national building codes, emerging building envelope technologies, and advancements in the research and understanding of building envelope failure and failure mechanisms. The actual design and configuration of these and similar details will vary based upon applicable local, state and national building code requirements, climatic considerations, and economic constraints unique to each project. Full compliance with the manufacturer's recommendations and recognized industry standards for each building envelope material, component and system specified for this and similar exterior wall assemblies is recommended, and should be reflected in the appropriate sections of the project specifications.



**STEP 3:**

INSTALL WALL MEMBRANE PRODUCT BELOW THE RELIEVING ANGLE OR INDIVIDUAL RELIEVING CONNECTIONS. INDIVIDUAL CONNECTIONS ARE TYPICALLY USED INSTEAD OF A FULL RELIEVING ANGLE. THE WALL DRAINAGE PLANE PRODUCT SHOULD BE CARRIED BEHIND THESE CONNECTIONS AND CARRIED ABOVE THEM A MINIMUM OF 6-INCHES. SEE THE 2-DIMENSIONAL DETAILS CONTAINED WITHIN THE STONE SECTION IN THE WBDG FOR MORE INFORMATION. THE JOINT BETWEEN THE SHEATHING AND SLAB IS TO BE SEALED WITH A HORIZONTAL JOINT SEAL (SELF-ADHESIVE FLASHING) TO PROVIDE AIR BARRIER CONTINUITY AT THIS INTERFACE. DEPENDING ON THE DRAINAGE PLANE PRODUCT, THIS PRODUCT MAY BE USED TO PROVIDE FOR THE AIR BARRIER CONTINUITY AT THIS INTERFACE. A DETAIL SHOULD BE INCLUDED IN THE DRAWINGS FOR THE PROJECT SHOWING WHAT METHOD IS TO BE USED AT THIS INTERFACE TO PROVIDE AIR BARRIER CONTINUITY. THE DETAILS IN THIS SET SHOW THIS USING THE DRAINAGE PLANE PRODUCT.

NOTE: ENSURE ALL SHEATHING/CONCRETE/CMU SURFACES ARE PROPERLY PREPARED AND PRIMED IN ACCORDANCE WITH THE MANUFACTURER REQUIREMENTS PRIOR TO INSTALLING THE WALL DRAINAGE PLANE PRODUCT. DETAIL THE DRAINAGE PLANE PRODUCT TO PREVENT WATER INFILTRATION AT THE STONE VENEER ANCHORS AND OTHER PENETRATIONS. THE VARIOUS PRODUCTS THAT CAN BE USED FOR THE DRAINAGE PLANE MATERIAL HAVE A WIDE RANGE OF AIR AND VAPOR PERMEANCE VALUES; SEE THE TABLES AND THE GENERAL SECTION CONTAINED WITHIN THE WALL PORTION OF THE WBDG FOR MORE SPECIFIC INFORMATION WITH REGARDS TO VAPOR RETARDERS AND AIR BARRIERS.

CONCEPTUAL – NOT FOR CONSTRUCTION

**KEY CONCEPTS:**

The dimensions and material relationships shown in this detail are not to scale and have been exaggerated for clarity. Actual dimensions will vary, and should be carefully coordinated with sequencing and construction tolerances to ensure the long-term durability and performance of this and similar exterior wall details.

Interface conditions between building envelope materials, components and systems should be fully detailed in a manner that is both technically sound and serviceable. Detailing should, at a minimum, allow for coordination of drainage planes when two or more different wall types are used in the same facade; allow for thermal and moisture-induced changes in material properties and differential thermal movement; and allow for in-service deflection, shrinkage, creep and similar behavior considered to be within the allowable structural limits of the project without compromise to the weather-tight integrity and thermal performance of the building envelope.

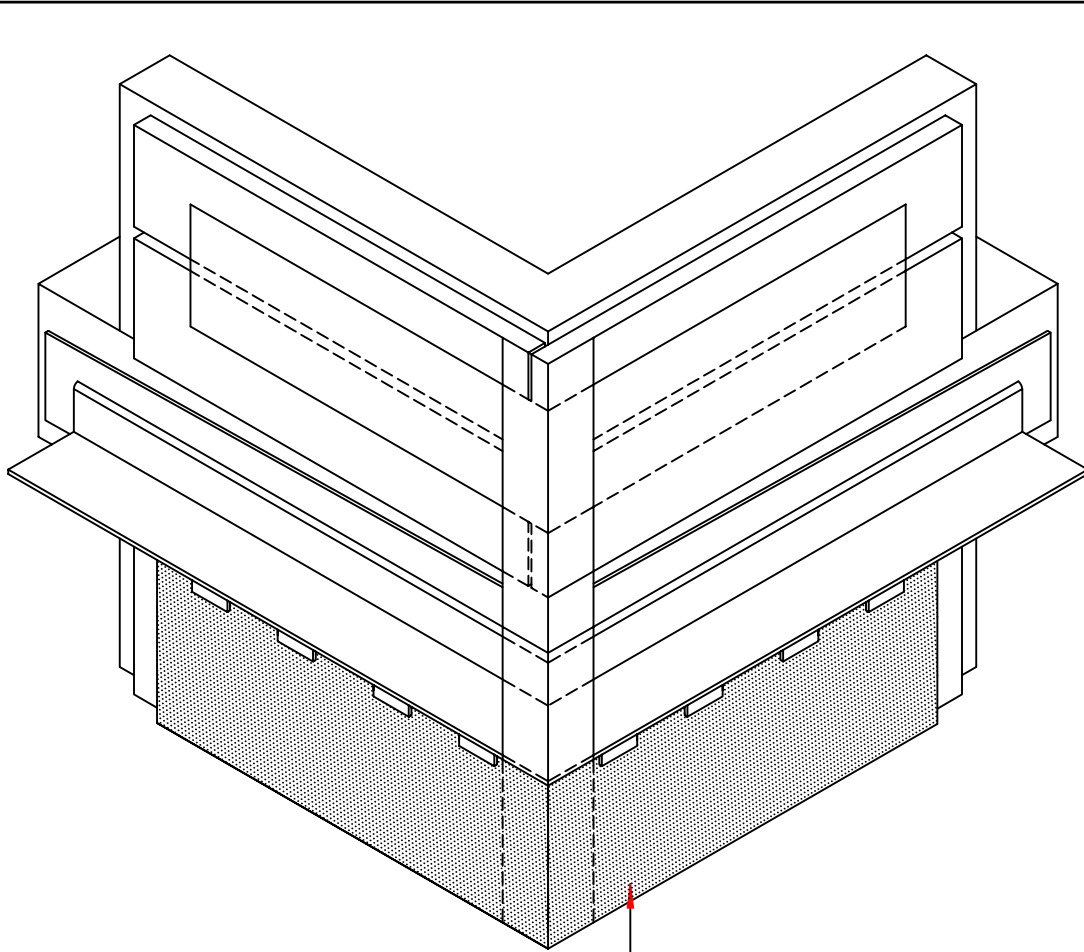
The air barrier can either be formed by an exterior side air barrier or by employing the interior side airtight drywall approach.

The location of or need for a vapor retarder within wall assemblies will vary based upon climate, and can be significantly influenced by the storage capacity and vapor permeance of the materials selected for each layer of the wall system. A climate-specific, hygrothermal analysis for any wall assembly should be considered to further evaluate this concern.

See the General section of the WBDG for additional information and guidance.

**STONE VENEER  
OUTSIDE CORNER -  
STEP 3**

The details, graphics and related information shown above are intended to illustrate basic design concepts and principles only and should be considered collectively with the appropriate narrative sections of the Whole Building Design Guide (WBDG). The information contained herein is not intended for actual construction, and is subject to revision based on changes and/or refinements in local, state and national building codes, emerging building envelope technologies, and advancements in the research and understanding of building envelope failure and failure mechanisms. The actual design and configuration of these and similar details will vary based upon applicable local, state and national building code requirements, climatic considerations, and economic constraints unique to each project. Full compliance with the manufacturer's recommendations and recognized industry standards for each building envelope material, component and system specified for this and similar exterior wall assemblies is recommended, and should be reflected in the appropriate sections of the project specifications.



STEP 4:  
 INSTALL THE STONE ANCHORS/STRAP FOR THE STONE BELOW THE SLAB LINE AS WELL AS THE INSULATION SECUREMENT DEVICES (IMPALING PINS OR OTHER APPROVED METHOD). IF A TROWEL-APPLIED PRODUCT IS USED INSTEAD OF A WALL MEMBRANE OR SHEET PRODUCT, THE TROWEL-APPLIED PRODUCT MAY BE USED AS AN INSULATION ADHESIVE IN ADDITION TO THE MECHANICAL ADHESION METHOD SHOWN. CHECK WITH THE MANUFACTURER FOR ALL REQUIREMENTS. ALL METAL ACCESSORIES IN DIRECT CONTACT WITH NATURAL STONE VENEERS SHALL BE NON-CORROSIVE, 300 SERIES STAINLESS STEEL OR AN EQUIVALENT MATERIAL.

CONCEPTUAL – NOT FOR CONSTRUCTION

**KEY CONCEPTS:**

The dimensions and material relationships shown in this detail are not to scale and have been exaggerated for clarity. Actual dimensions will vary, and should be carefully coordinated with sequencing and construction tolerances to ensure the long-term durability and performance of this and similar exterior wall details.

Interface conditions between building envelope materials, components and systems should be fully detailed in a manner that is both technically sound and serviceable. Detailing should, at a minimum, allow for coordination of drainage planes when two or more different wall types are used in the same facade; allow for thermal and moisture-induced changes in material properties and differential thermal movement; and allow for in-service deflection, shrinkage, creep and similar behavior considered to be within the allowable structural limits of the project without compromise to the weather-tight integrity and thermal performance of the building envelope.

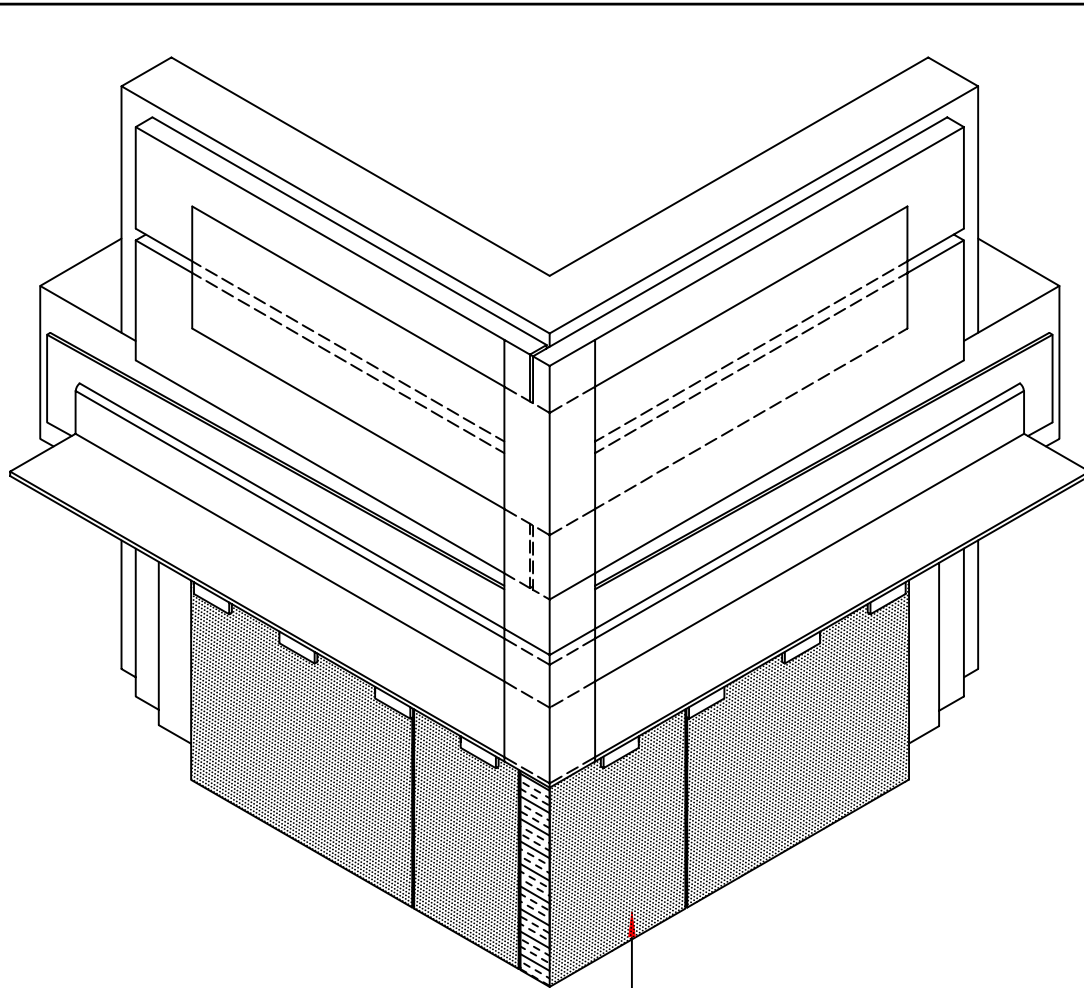
The air barrier can either be formed by an exterior side air barrier or by employing the interior side airtight drywall approach.

The location of or need for a vapor retarder within wall assemblies will vary based upon climate, and can be significantly influenced by the storage capacity and vapor permeance of the materials selected for each layer of the wall system. A climate-specific, hygrothermal analysis for any wall assembly should be considered to further evaluate this concern.

See the General section of the WBDG for additional information and guidance.

**STONE VENEER  
 OUTSIDE CORNER -  
 STEP 4**

The details, graphics and related information shown above are intended to illustrate basic design concepts and principles only and should be considered collectively with the appropriate narrative sections of the Whole Building Design Guide (WBDG). The information contained herein is not intended for actual construction, and is subject to revision based on changes and/or refinements in local, state and national building codes, emerging building envelope technologies, and advancements in the research and understanding of building envelope failure and failure mechanisms. The actual design and configuration of these and similar details will vary based upon applicable local, state and national building code requirements, climatic considerations, and economic constraints unique to each project. Full compliance with the manufacturer's recommendations and recognized industry standards for each building envelope material, component and system specified for this and similar exterior wall assemblies is recommended, and should be reflected in the appropriate sections of the project specifications.



STEP 5:  
 INSTALL THE INSULATION (RIGID INSULATION SHOWN, SEMI-RIGID INSULATION MAY ALSO BE APPROPRIATE) AND SECURE WITH THE IMPALING PIN CAPS OR OTHER APPROVED METHOD, MAKING SURE ALL SHARP ENDS ARE CUT. SOME IMPALING PIN PRODUCTS ELIMINATE THE SHARP END CONCERN. SOME FOAM-APPLIED AND OTHER INSULATION PRODUCTS MAY BE APPROPRIATE FOR USE IN THE DRAINAGE CAVITY. CHECK WITH THE MANUFACTURER TO DETERMINE THE APPROPRIATENESS OF THE PRODUCT FOR USE WITHIN THE WET ZONE OF THE ASSEMBLY. INSULATING OUTBOUND OF THE BACK-UP WALL WITH THE FULL R-VALUE OF THE WALL IS MUCH MORE THERMALLY EFFICIENT.

CONCEPTUAL – NOT FOR CONSTRUCTION

**KEY CONCEPTS:**  
 The dimensions and material relationships shown in this detail are not to scale and have been exaggerated for clarity. Actual dimensions will vary, and should be carefully coordinated with sequencing and construction tolerances to ensure the long-term durability and performance of this and similar exterior wall details.

Interface conditions between building envelope materials, components and systems should be fully detailed in a manner that is both technically sound and serviceable. Detailing should, at a minimum, allow for coordination of drainage planes when two or more different wall types are used in the same facade; allow for thermal and moisture-induced changes in material properties and differential thermal movement; and allow for in-service deflection, shrinkage, creep and similar behavior considered to be within the allowable structural limits of the project without compromise to the weather-tight integrity and thermal performance of the building envelope.

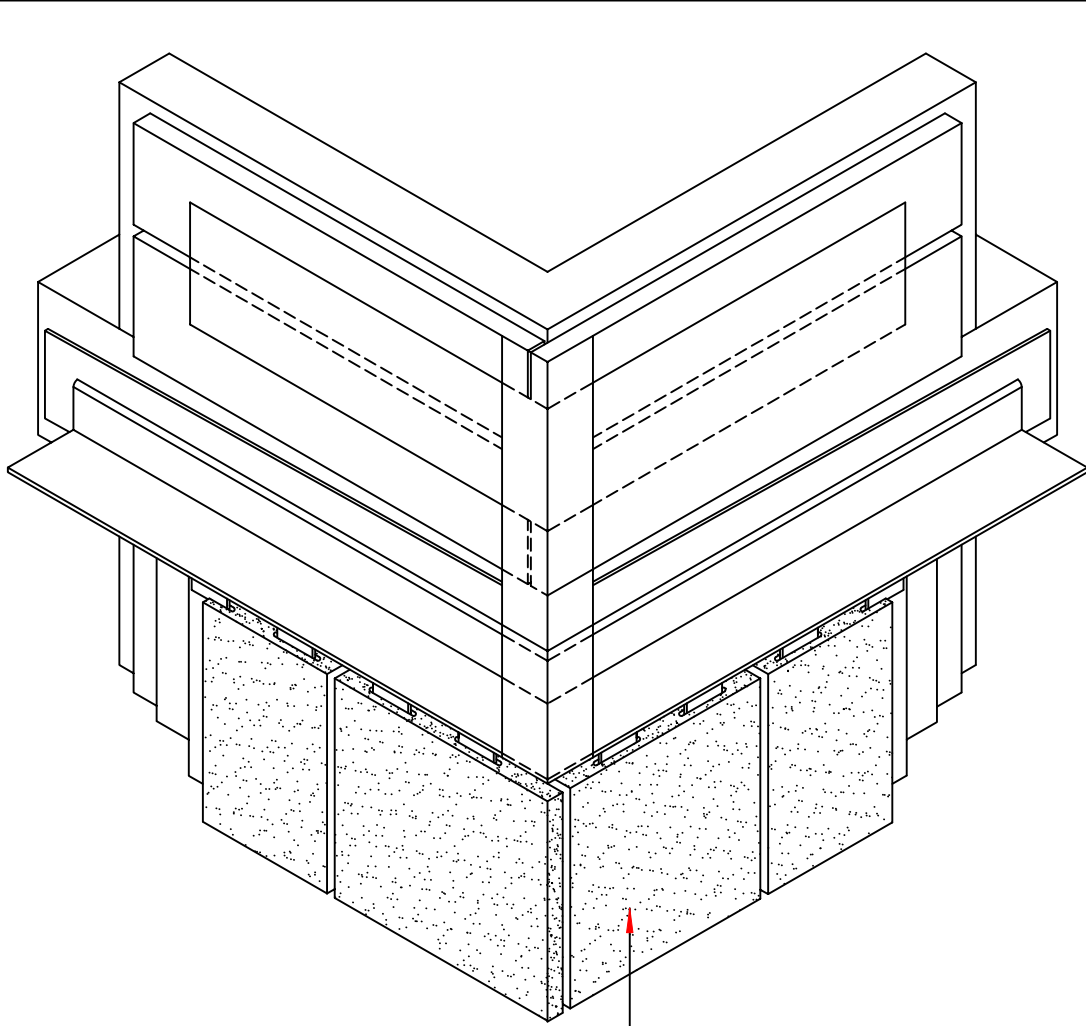
The air barrier can either be formed by an exterior side air barrier or by employing the interior side airtight drywall approach.

The location of or need for a vapor retarder within wall assemblies will vary based upon climate, and can be significantly influenced by the storage capacity and vapor permeance of the materials selected for each layer of the wall system. A climate-specific, hygrothermal analysis for any wall assembly should be considered to further evaluate this concern.

See the General section of the WBDG for additional information and guidance.

**STONE VENEER  
 OUTSIDE CORNER -  
 STEP 5**

The details, graphics and related information shown above are intended to illustrate basic design concepts and principles only and should be considered collectively with the appropriate narrative sections of the Whole Building Design Guide (WBDG). The information contained herein is not intended for actual construction, and is subject to revision based on changes and/or refinements in local, state and national building codes, emerging building envelope technologies, and advancements in the research and understanding of building envelope failure and failure mechanisms. The actual design and configuration of these and similar details will vary based upon applicable local, state and national building code requirements, climatic considerations, and economic constraints unique to each project. Full compliance with the manufacturer's recommendations and recognized industry standards for each building envelope material, component and system specified for this and similar exterior wall assemblies is recommended, and should be reflected in the appropriate sections of the project specifications.



STEP 6:  
 INSTALL STONE VENEER CLADDING BELOW THE RELIEVING ANGLE WITH APPROPRIATE HANGERS. STONE ANCHORING ASSEMBLY TO BE DESIGNED BY A STRUCTURAL ENGINEER REGISTERED IN THE STATE WHERE THE PROJECT IS LOCATED. PROVIDE ALLOWANCE FOR THERMAL MOVEMENT OF THE STONE BOTH VERTICALLY AND HORIZONTALLY, INCLUDING SUFFICIENT GAP BETWEEN THE STONE AND THE RELIEVING ANGLE.

**KEY CONCEPTS:**  
 The dimensions and material relationships shown in this detail are **not to scale** and have been exaggerated for clarity. Actual dimensions will vary, and should be carefully coordinated with sequencing and construction tolerances to ensure the long-term durability and performance of this and similar exterior wall details.

Interface conditions between building envelope materials, components and systems should be fully detailed in a manner that is both technically sound and serviceable. Detailing should, at a minimum, allow for coordination of drainage planes when two or more different wall types are used in the same facade; allow for thermal and moisture-induced changes in material properties and differential thermal movement; and allow for in-service deflection, shrinkage, creep and similar behavior considered to be within the allowable structural limits of the project without compromise to the weather-tight integrity and thermal performance of the building envelope.

The air barrier can either be formed by an exterior side air barrier or by employing the interior side airtight drywall approach.

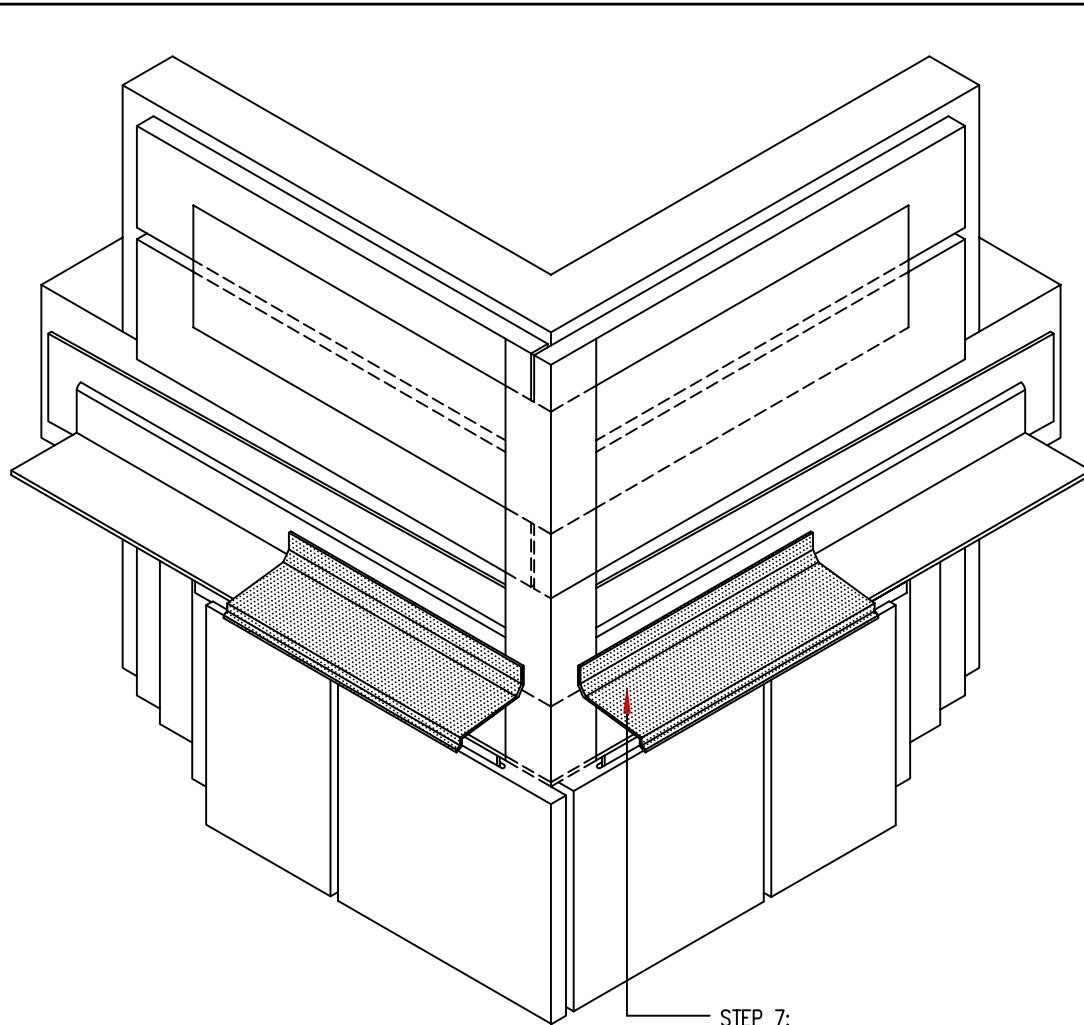
The location of or need for a vapor retarder within wall assemblies will vary based upon climate, and can be significantly influenced by the storage capacity and vapor permeance of the materials selected for each layer of the wall system. A climate-specific, hygrothermal analysis for any wall assembly should be considered to further evaluate this concern.

See the General section of the WBDG for additional information and guidance.

**STONE VENEER  
 OUTSIDE CORNER -  
 STEP 6**

CONCEPTUAL – NOT FOR CONSTRUCTION

The details, graphics and related information shown above are intended to illustrate basic design concepts and principles only and should be considered collectively with the appropriate narrative sections of the Whole Building Design Guide (WBDG). The information contained herein is not intended for actual construction, and is subject to revision based on changes and/or refinements in local, state and national building codes, emerging building envelope technologies, and advancements in the research and understanding of building envelope failure and failure mechanisms. The actual design and configuration of these and similar details will vary based upon applicable local, state and national building code requirements, climatic considerations, and economic constraints unique to each project. Full compliance with the manufacturer's recommendations and recognized industry standards for each building envelope material, component and system specified for this and similar exterior wall assemblies is recommended, and should be reflected in the appropriate sections of the project specifications.



STEP 7:  
 INSTALL CORROSION RESISTANT METAL THROUGH-WALL FLASHING. LEAVE SUFFICIENT GAP AT CORNER TO ALLOW FOR CONTRACTION AND EXPANSION OF THE FLASHING MATERIAL. THE THROUGH-WALL FLASHING MATERIAL SHOWN ON THIS AND SIMILAR EXTERIOR WALL DETAILS AND ASSEMBLIES MUST INCLUDE FULLY SEALED, WATER-TIGHT END-DAMS AT ALL EXTERIOR WALL PENETRATION AND FLASHING TERMINATIONS AS NECESSARY TO COLLECT AND DRAIN RAINWATER AND/OR CONDENSATION TO THE BUILDING EXTERIOR.

NOTE: THE PRESENCE OF A CONTINUOUS RELIEVING ANGLE AND FLASHING AS SHOWN IS NOT REPRESENTATIVE OF TYPICAL STONE VENEER CONSTRUCTION, AND IS INTENDED TO CONVEY THE IMPORTANCE OF DESIGNING AN ANCHORING SYSTEM THAT MINIMIZES OR ELIMINATES THE NEED FOR PENETRATIONS THROUGH THE FLASHING IN CAVITY-TYPE EXTERIOR WALL CONSTRUCTION.

CONCEPTUAL – NOT FOR CONSTRUCTION

**KEY CONCEPTS:**

The dimensions and material relationships shown in this detail are **not to scale** and have been exaggerated for clarity. Actual dimensions will vary, and should be carefully coordinated with sequencing and construction tolerances to ensure the long-term durability and performance of this and similar exterior wall details.

Interface conditions between building envelope materials, components and systems should be fully detailed in a manner that is both technically sound and serviceable. Detailing should, at a minimum, allow for coordination of drainage planes when two or more different wall types are used in the same facade; allow for thermal and moisture-induced changes in material properties and differential thermal movement; and allow for in-service deflection, shrinkage, creep and similar behavior considered to be within the allowable structural limits of the project without compromise to the weather-tight integrity and thermal performance of the building envelope.

The air barrier can either be formed by an exterior side air barrier or by employing the interior side airtight drywall approach.

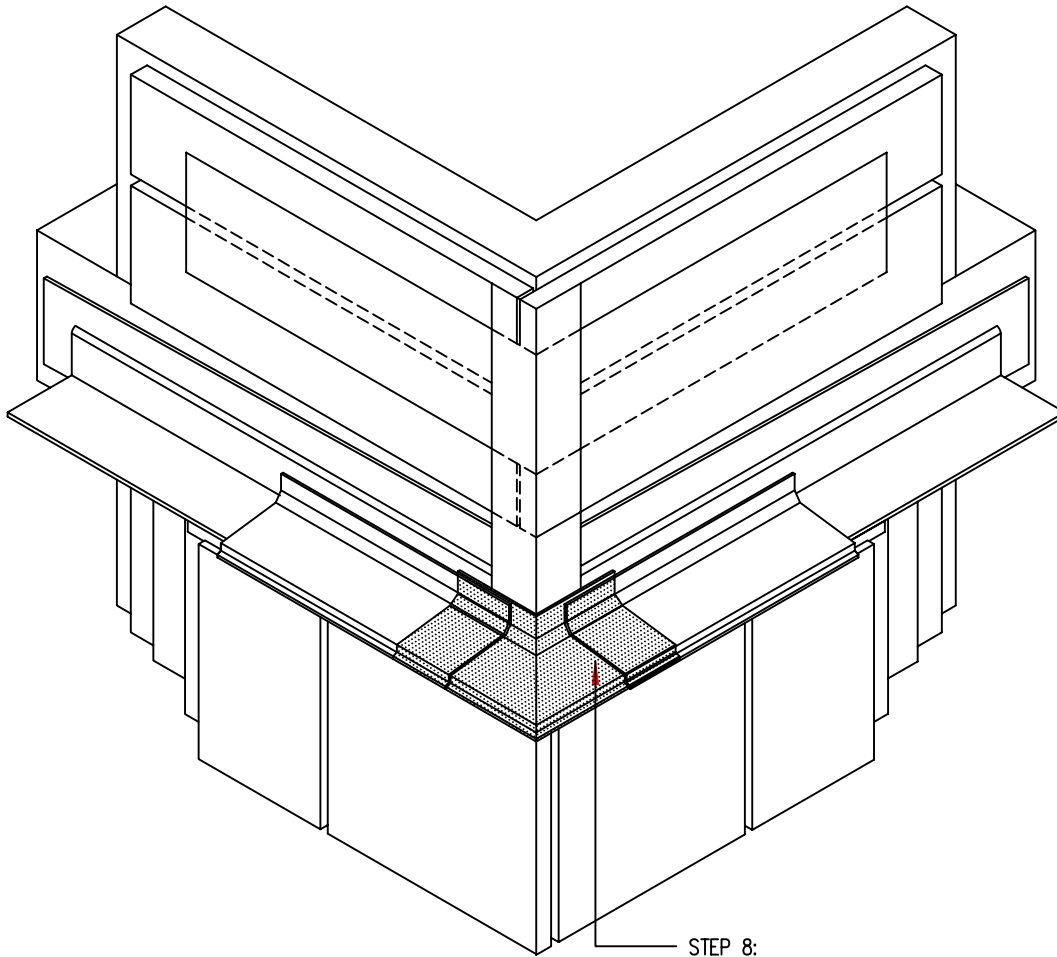
The location of or need for a vapor retarder within wall assemblies will vary based upon climate, and can be significantly influenced by the storage capacity and vapor permeance of the materials selected for each layer of the wall system. A climate-specific, hygrothermal analysis for any wall assembly should be considered to further evaluate this concern.

See the General section of the WBDG for additional information and guidance.

**STONE VENEER  
 OUTSIDE CORNER -  
 STEP 7**

The details, graphics and related information shown above are intended to illustrate basic design concepts and principles only and should be considered collectively with the appropriate narrative sections of the Whole Building Design Guide (WBDG). The information contained herein is not intended for actual construction, and is subject to revision based on changes and/or refinements in local, state and national building codes, emerging building envelope technologies, and advancements in the research and understanding of building envelope failure and failure mechanisms. The actual design and configuration of these and similar details will vary based upon applicable local, state and national building code requirements, climatic considerations, and economic constraints unique to each project. Full compliance with the manufacturer's recommendations and recognized industry standards for each building envelope material, component and system specified for this and similar exterior wall assemblies is recommended, and should be reflected in the appropriate sections of the project specifications.





STEP 8:  
INSTALL CORNER SECTION OF CORROSION  
RESISTANT METAL THROUGH-WALL  
FLASHING.

NOTE: THE PRESENCE OF A CONTINUOUS RELIEVING ANGLE AND FLASHING AS SHOWN IS NOT REPRESENTATIVE OF TYPICAL STONE VENEER CONSTRUCTION, AND IS INTENDED TO CONVEY THE IMPORTANCE OF DESIGNING AN ANCHORING SYSTEM THAT MINIMIZES OR ELIMINATES THE NEED FOR PENETRATIONS THROUGH THE FLASHING IN CAVITY-TYPE EXTERIOR WALL CONSTRUCTION.

CONCEPTUAL – NOT FOR CONSTRUCTION

**KEY CONCEPTS:**

The dimensions and material relationships shown in this detail are **not to scale** and have been exaggerated for clarity. Actual dimensions will vary, and should be carefully coordinated with sequencing and construction tolerances to ensure the long-term durability and performance of this and similar exterior wall details.

Interface conditions between building envelope materials, components and systems should be fully detailed in a manner that is both technically sound and serviceable. Detailing should, at a minimum, allow for coordination of drainage planes when two or more different wall types are used in the same facade; allow for thermal and moisture-induced changes in material properties and differential thermal movement; and allow for in-service deflection, shrinkage, creep and similar behavior considered to be within the allowable structural limits of the project without compromise to the weather-tight integrity and thermal performance of the building envelope.

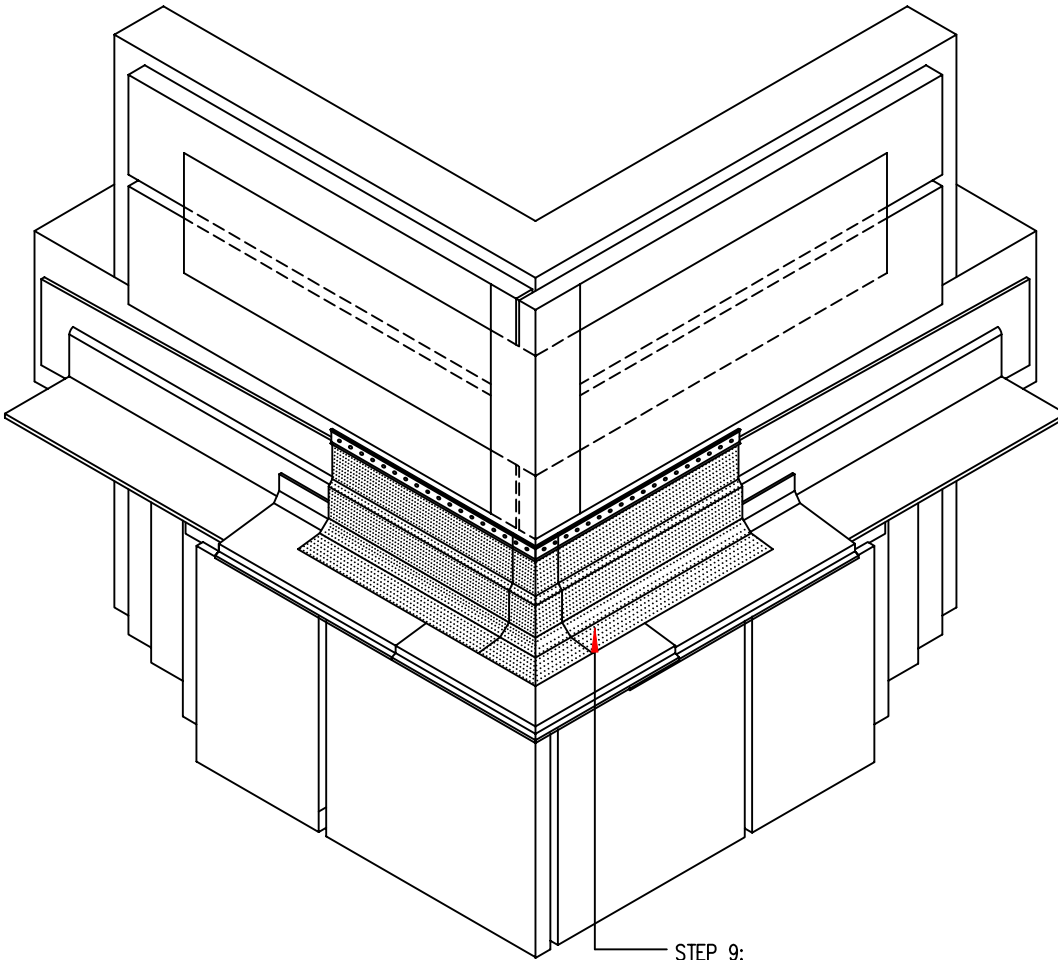
The air barrier can either be formed by an exterior side air barrier or by employing the interior side airtight drywall approach.

The location of or need for a vapor retarder within wall assemblies will vary based upon climate, and can be significantly influenced by the storage capacity and vapor permeance of the materials selected for each layer of the wall system. A climate-specific, hygrothermal analysis for any wall assembly should be considered to further evaluate this concern.

See the General section of the WBDG for additional information and guidance.

**STONE VENEER  
OUTSIDE CORNER -  
STEP 8**

The details, graphics and related information shown above are intended to illustrate basic design concepts and principles only and should be considered collectively with the appropriate narrative sections of the Whole Building Design Guide (WBDG). The information contained herein is not intended for actual construction, and is subject to revision based on changes and/or refinements in local, state and national building codes, emerging building envelope technologies, and advancements in the research and understanding of building envelope failure and failure mechanisms. The actual design and configuration of these and similar details will vary based upon applicable local, state and national building code requirements, climatic considerations, and economic constraints unique to each project. Full compliance with the manufacturer's recommendations and recognized industry standards for each building envelope material, component and system specified for this and similar exterior wall assemblies is recommended, and should be reflected in the appropriate sections of the project specifications.



STEP 9:  
 INSTALL THE MEMBRANE FLASHING ABOVE THE METAL THROUGH-WALL FLASHING AND SECURE WITH A CONTINUOUSLY SEALED TERMINATION BAR AT THE UPPER EDGE. INSTALL FOLLOWING ALL MANUFACTURER GUIDELINES. CARRY ONTO THROUGH-WALL FLASHING PER THE MANUFACTURERS MINIMUM DISTANCE PLUS 1-INCH AND SECURE PER MANUFACTURER REQUIREMENTS. TREAT ALL JOINTS AND EDGES PER MANUFACTURER REQUIREMENTS (MASTIC OR OTHER REQUIRED PRODUCT) AND OVERLAP ALL JOINTS A MINIMUM OF 2-INCHES MORE THAN THAT REQUIRED BY THE MANUFACTURER.

**KEY CONCEPTS:**

The dimensions and material relationships shown in this detail are **not to scale** and have been exaggerated for clarity. Actual dimensions will vary, and should be carefully coordinated with sequencing and construction tolerances to ensure the long-term durability and performance of this and similar exterior wall details.

Interface conditions between building envelope materials, components and systems should be fully detailed in a manner that is both technically sound and serviceable. Detailing should, at a minimum, allow for coordination of drainage planes when two or more different wall types are used in the same facade; allow for thermal and moisture-induced changes in material properties and differential thermal movement; and allow for in-service deflection, shrinkage, creep and similar behavior considered to be within the allowable structural limits of the project without compromise to the weather-tight integrity and thermal performance of the building envelope.

The air barrier can either be formed by an exterior side air barrier or by employing the interior side airtight drywall approach.

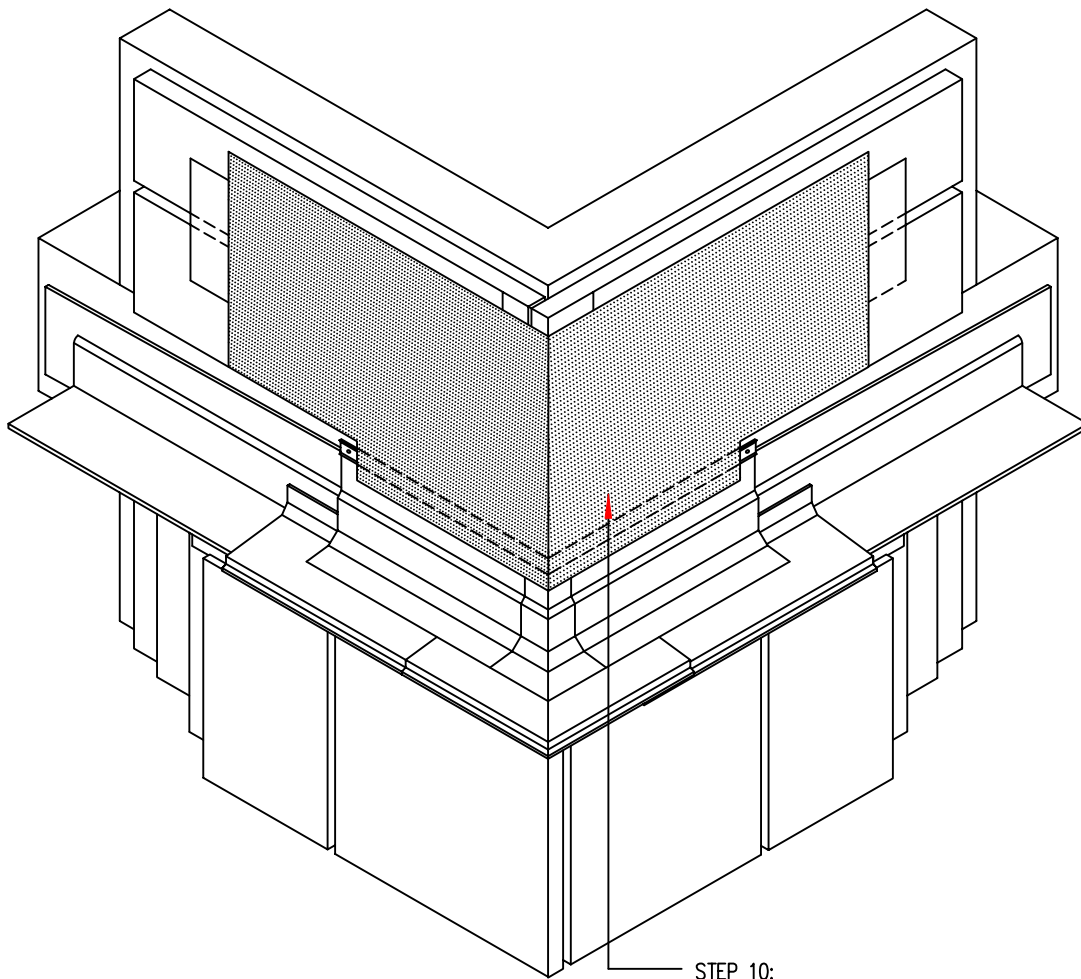
The location of or need for a vapor retarder within wall assemblies will vary based upon climate, and can be significantly influenced by the storage capacity and vapor permeance of the materials selected for each layer of the wall system. A climate-specific, hygrothermal analysis for any wall assembly should be considered to further evaluate this concern.

See the General section of the WBDG for additional information and guidance.

**STONE VENEER  
 OUTSIDE CORNER -  
 STEP 9**

CONCEPTUAL – NOT FOR CONSTRUCTION

The details, graphics and related information shown above are intended to illustrate basic design concepts and principles only and should be considered collectively with the appropriate narrative sections of the Whole Building Design Guide (WBDG). The information contained herein is not intended for actual construction, and is subject to revision based on changes and/or refinements in local, state and national building codes, emerging building envelope technologies, and advancements in the research and understanding of building envelope failure and failure mechanisms. The actual design and configuration of these and similar details will vary based upon applicable local, state and national building code requirements, climatic considerations, and economic constraints unique to each project. Full compliance with the manufacturer's recommendations and recognized industry standards for each building envelope material, component and system specified for this and similar exterior wall assemblies is recommended, and should be reflected in the appropriate sections of the project specifications.



STEP 10:  
INSTALL THE WALL MEMBRANE ABOVE THE  
MEMBRANE FLASHING, AND CARRY ONTO  
MEMBRANE FLASHING PER THE  
MANUFACTURERS MINIMUM DISTANCE PLUS  
1-INCH AND SECURE PER MANUFACTURER  
REQUIREMENTS.

NOTE: ENSURE ALL SHEATHING/CONCRETE/CMU SURFACES ARE PROPERLY PREPARED AND PRIMED IN ACCORDANCE WITH THE MANUFACTURER REQUIREMENTS PRIOR TO INSTALLING THE WALL DRAINAGE PLANE PRODUCT. DETAIL THE DRAINAGE PLANE PRODUCT TO PREVENT WATER INFILTRATION AT THE STONE VENEER ANCHORS AND OTHER PENETRATIONS. THE VARIOUS PRODUCTS THAT CAN BE USED FOR THE DRAINAGE PLANE MATERIAL HAVE A WIDE RANGE OF AIR AND VAPOR PERMEANCE VALUES; SEE THE TABLES AND THE GENERAL SECTION CONTAINED WITHIN THE WALL PORTION OF THE WBDG FOR MORE SPECIFIC INFORMATION WITH REGARDS TO VAPOR RETARDERS AND AIR BARRIERS.

CONCEPTUAL – NOT FOR CONSTRUCTION

**KEY CONCEPTS:**

The dimensions and material relationships shown in this detail are **not to scale** and have been exaggerated for clarity. Actual dimensions will vary, and should be carefully coordinated with sequencing and construction tolerances to ensure the long-term durability and performance of this and similar exterior wall details.

Interface conditions between building envelope materials, components and systems should be fully detailed in a manner that is both technically sound and serviceable. Detailing should, at a minimum, allow for coordination of drainage planes when two or more different wall types are used in the same facade; allow for thermal and moisture-induced changes in material properties and differential thermal movement; and allow for in-service deflection, shrinkage, creep and similar behavior considered to be within the allowable structural limits of the project without compromise to the weather-tight integrity and thermal performance of the building envelope.

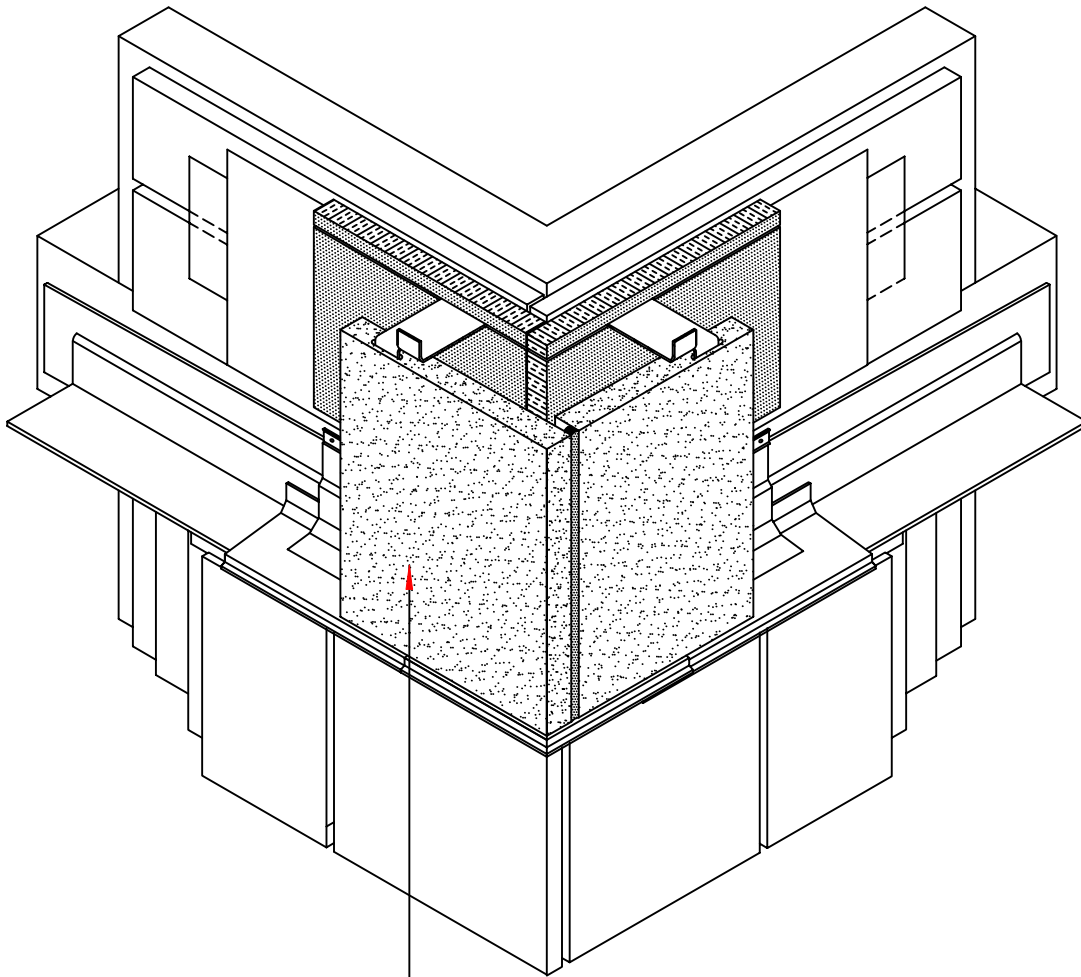
The air barrier can either be formed by an exterior side air barrier or by employing the interior side airtight drywall approach.

The location of or need for a vapor retarder within wall assemblies will vary based upon climate, and can be significantly influenced by the storage capacity and vapor permeance of the materials selected for each layer of the wall system. A climate-specific, hygrothermal analysis for any wall assembly should be considered to further evaluate this concern.

See the General section of the WBDG for additional information and guidance.

**STONE VENEER  
OUTSIDE CORNER -  
STEP 10**

The details, graphics and related information shown above are intended to illustrate basic design concepts and principles only and should be considered collectively with the appropriate narrative sections of the Whole Building Design Guide (WBDG). The information contained herein is not intended for actual construction, and is subject to revision based on changes and/or refinements in local, state and national building codes, emerging building envelope technologies, and advancements in the research and understanding of building envelope failure and failure mechanisms. The actual design and configuration of these and similar details will vary based upon applicable local, state and national building code requirements, climatic considerations, and economic constraints unique to each project. Full compliance with the manufacturer's recommendations and recognized industry standards for each building envelope material, component and system specified for this and similar exterior wall assemblies is recommended, and should be reflected in the appropriate sections of the project specifications.



STEP 11:  
 SEE INSIDE CORNER DETAIL FOR SEQUENCE OF INSULATION AND STONE INSTALLATION ABOVE RELIEVING ANGLE. INSTALL BACKER ROD AND SEALANT AT ALL JOINTS. TWISTED AND UNDERSIZED BACKER ROD MUST NOT BE USED. PRIME JOINTS, IF REQUIRED BY THE MANUFACTURER. ENSURE THE SEALANT PROFILE WILL MEET THE MANUFACTURER REQUIREMENTS. THE JOINT AT THE FLASHING WILL REQUIRE WEEP HOLES, APPROXIMATELY EVERY 2-FEET. VENTED WEEPS MAY BE USED AT VERTICAL STONE JOINTS. ALTERNATIVELY, THE JOINT CAN BE LEFT OPEN. ENSURE ANY UV SENSITIVE MEMBRANE MATERIAL IS BACK FAR ENOUGH TO NOT UV DEGRADE IF THE JOINT IS LEFT OPEN. ALL JOINT SEALANT IN CONTACT WITH NATURAL STONE CLADDING SHALL BE TESTED PRIOR TO CONSTRUCTION FOR ADHESION, MOVEMENT CAPACITY, AND STAIN RESPONSE IN ACCORDANCE WITH APPLICABLE ASTM STANDARDS. CONDUCT FIELD PEEL-ADHESION TESTING OF INSTALLED JOINT SEALANT BY A QUALIFIED TECHNICAL REPRESENTATIVE OF THE SEALANT MANUFACTURER.

CONCEPTUAL – NOT FOR CONSTRUCTION

**KEY CONCEPTS:**

The dimensions and material relationships shown in this detail are **not to scale** and have been exaggerated for clarity. Actual dimensions will vary, and should be carefully coordinated with sequencing and construction tolerances to ensure the long-term durability and performance of this and similar exterior wall details.

Interface conditions between building envelope materials, components and systems should be fully detailed in a manner that is both technically sound and serviceable. Detailing should, at a minimum, allow for coordination of drainage planes when two or more different wall types are used in the same facade; allow for thermal and moisture-induced changes in material properties and differential thermal movement; and allow for in-service deflection, shrinkage, creep and similar behavior considered to be within the allowable structural limits of the project without compromise to the weather-tight integrity and thermal performance of the building envelope.

The air barrier can either be formed by an exterior side air barrier or by employing the interior side airtight drywall approach.

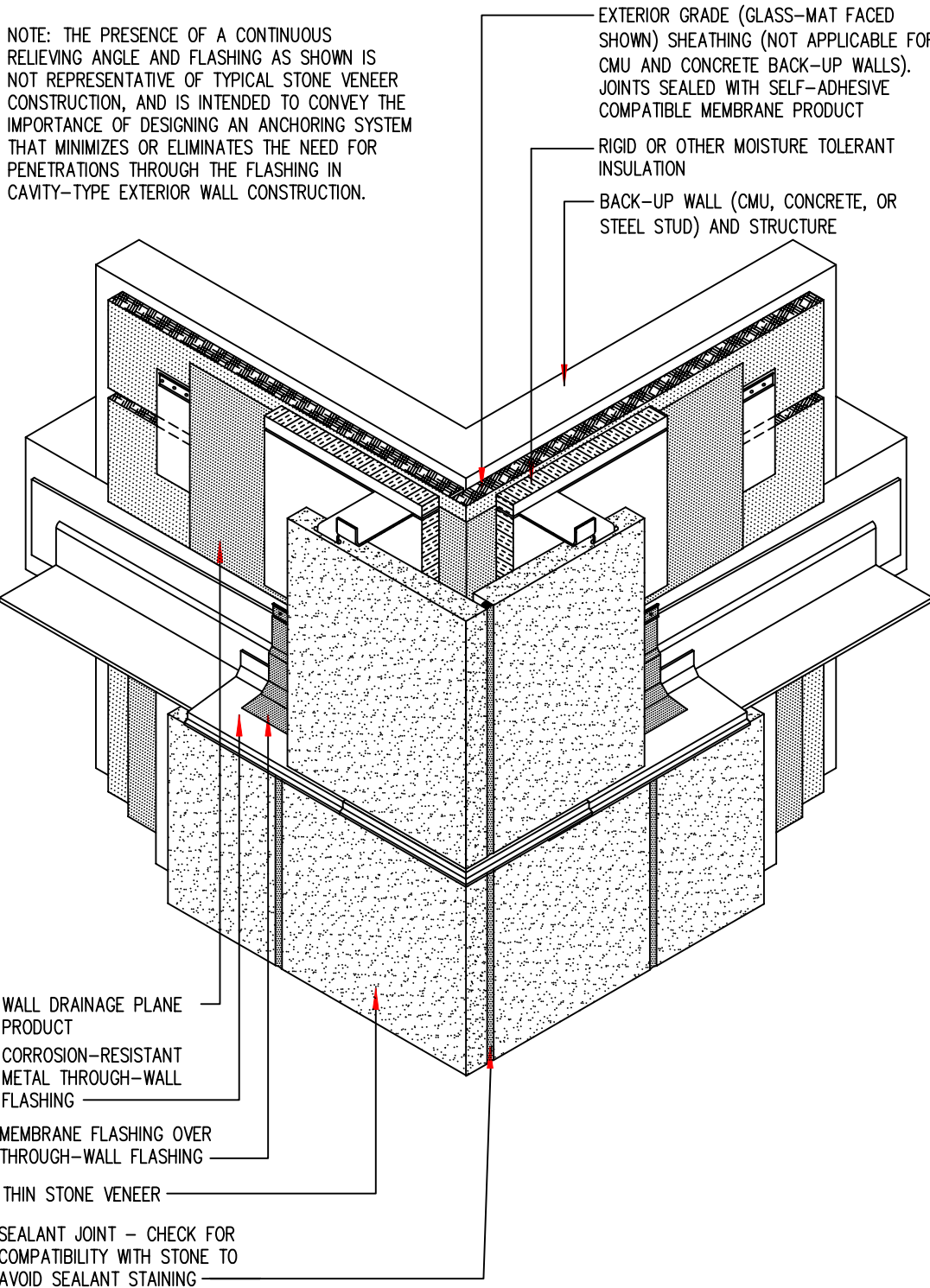
The location of or need for a vapor retarder within wall assemblies will vary based upon climate, and can be significantly influenced by the storage capacity and vapor permeance of the materials selected for each layer of the wall system. A climate-specific, hygrothermal analysis for any wall assembly should be considered to further evaluate this concern.

See the General section of the WBDG for additional information and guidance.

**STONE VENEER  
 OUTSIDE CORNER -  
 STEP 11**

The details, graphics and related information shown above are intended to illustrate basic design concepts and principles only and should be considered collectively with the appropriate narrative sections of the Whole Building Design Guide (WBDG). The information contained herein is not intended for actual construction, and is subject to revision based on changes and/or refinements in local, state and national building codes, emerging building envelope technologies, and advancements in the research and understanding of building envelope failure and failure mechanisms. The actual design and configuration of these and similar details will vary based upon applicable local, state and national building code requirements, climatic considerations, and economic constraints unique to each project. Full compliance with the manufacturer's recommendations and recognized industry standards for each building envelope material, component and system specified for this and similar exterior wall assemblies is recommended, and should be reflected in the appropriate sections of the project specifications.

NOTE: THE PRESENCE OF A CONTINUOUS RELIEVING ANGLE AND FLASHING AS SHOWN IS NOT REPRESENTATIVE OF TYPICAL STONE VENEER CONSTRUCTION, AND IS INTENDED TO CONVEY THE IMPORTANCE OF DESIGNING AN ANCHORING SYSTEM THAT MINIMIZES OR ELIMINATES THE NEED FOR PENETRATIONS THROUGH THE FLASHING IN CAVITY-TYPE EXTERIOR WALL CONSTRUCTION.



WALL DRAINAGE PLANE PRODUCT  
CORROSION-RESISTANT METAL THROUGH-WALL FLASHING  
MEMBRANE FLASHING OVER THROUGH-WALL FLASHING  
THIN STONE VENEER  
SEALANT JOINT – CHECK FOR COMPATIBILITY WITH STONE TO AVOID SEALANT STAINING

EXTERIOR GRADE (GLASS-MAT FACED SHOWN) SHEATHING (NOT APPLICABLE FOR CMU AND CONCRETE BACK-UP WALLS). ALL JOINTS SEALED WITH SELF-ADHESIVE COMPATIBLE MEMBRANE PRODUCT  
RIGID OR OTHER MOISTURE TOLERANT INSULATION  
BACK-UP WALL (CMU, CONCRETE, OR STEEL STUD) AND STRUCTURE

**KEY CONCEPTS:**

The dimensions and material relationships shown in this detail are **not to scale** and have been exaggerated for clarity. Actual dimensions will vary, and should be carefully coordinated with sequencing and construction tolerances to ensure the long-term durability and performance of this and similar exterior wall details.

Interface conditions between building envelope materials, components and systems should be fully detailed in a manner that is both technically sound and serviceable. Detailing should, at a minimum, allow for coordination of drainage planes when two or more different wall types are used in the same facade; allow for thermal and moisture-induced changes in material properties and differential thermal movement; and allow for in-service deflection, shrinkage, creep and similar behavior considered to be within the allowable structural limits of the project without compromise to the weather-tight integrity and thermal performance of the building envelope.

The air barrier can either be formed by an exterior side air barrier or by employing the interior side airtight drywall approach.

The location of or need for a vapor retarder within wall assemblies will vary based upon climate, and can be significantly influenced by the storage capacity and vapor permeance of the materials selected for each layer of the wall system. A climate-specific, hygrothermal analysis for any wall assembly should be considered to further evaluate this concern.

See the General section of the WBDG for additional information and guidance.

**STONE VENEER  
OUTSIDE CORNER -  
OVERALL DETAIL**

CONCEPTUAL – NOT FOR CONSTRUCTION

The details, graphics and related information shown above are intended to illustrate basic design concepts and principles only and should be considered collectively with the appropriate narrative sections of the Whole Building Design Guide (WBDG). The information contained herein is not intended for actual construction, and is subject to revision based on changes and/or refinements in local, state and national building codes, emerging building envelope technologies, and advancements in the research and understanding of building envelope failure and failure mechanisms. The actual design and configuration of these and similar details will vary based upon applicable local, state and national building code requirements, climatic considerations, and economic constraints unique to each project. Full compliance with the manufacturer's recommendations and recognized industry standards for each building envelope material, component and system specified for this and similar exterior wall assemblies is recommended, and should be reflected in the appropriate sections of the project specifications.