

DRIP (RECESS) IN
PRECAST

GASKETED COLLAR

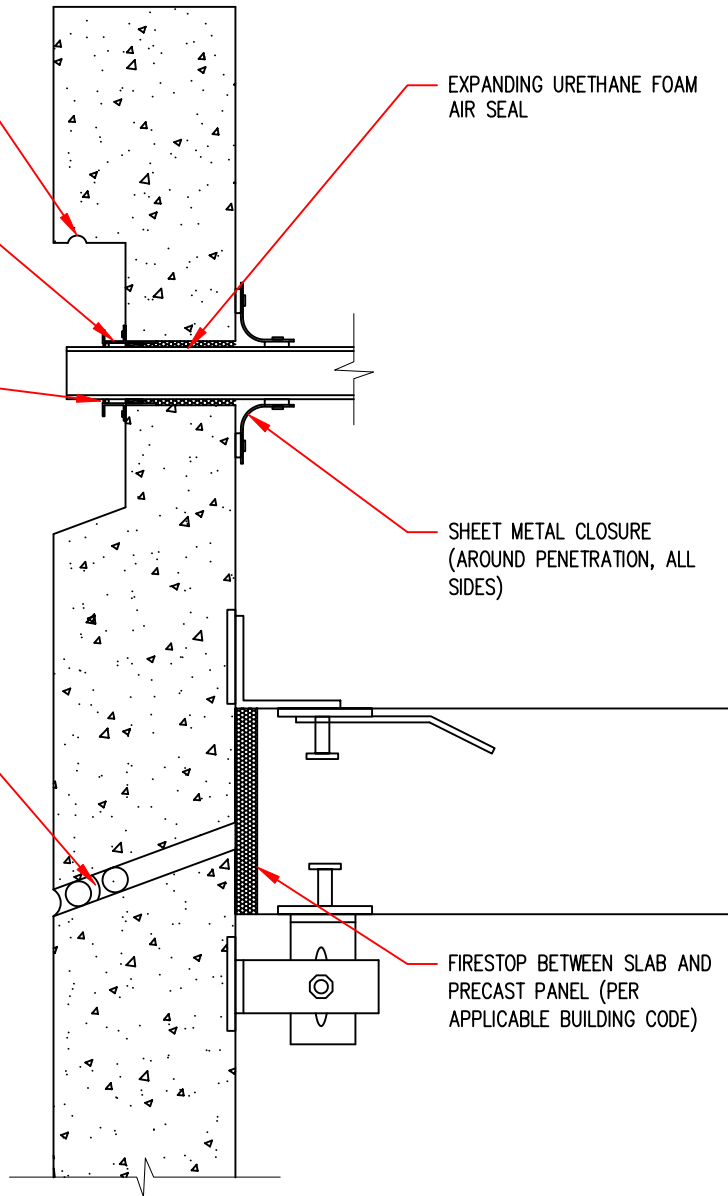
EXTERIOR AIR SEAL
BETWEEN COLLAR AND
PIPE/CONDUIT/ETC.

TWO-STAGE SEALANT
JOINT AT SLOPED
PRECAST JOINT. SEE
OTHER DETAILS FOR
HORIZONTAL-TO-VERTICAL
JOINT TRANSITION.
ALL VERTICAL JOINTS
TO BE DRAINED AT
HORIZONTAL JOINTS.

EXPANDING URETHANE FOAM
AIR SEAL

SHEET METAL CLOSURE
(AROUND PENETRATION, ALL
SIDES)

FIRESTOP BETWEEN SLAB AND
PRECAST PANEL (PER
APPLICABLE BUILDING CODE)



CONCEPTUAL - NOT FOR CONSTRUCTION

KEY CONCEPTS:

The dimensions and material relationships shown in this detail are not to scale and have been exaggerated for clarity. Actual dimensions will vary, and should be carefully coordinated with sequencing and construction tolerances to ensure the long-term durability and performance of this and similar exterior wall details.

Interface conditions between building envelope materials, components and systems should be fully detailed in a manner that is both technically sound and serviceable. Detailing should, at a minimum, allow for coordination of drainage planes when two or more different wall types are used in the same facade; allow for thermal and moisture-induced changes in material properties and differential thermal movement; and allow for in-service deflection, shrinkage, creep and similar behavior considered to be within the allowable structural limits of the project without compromise to the weather-tight integrity and thermal performance of the building envelope.

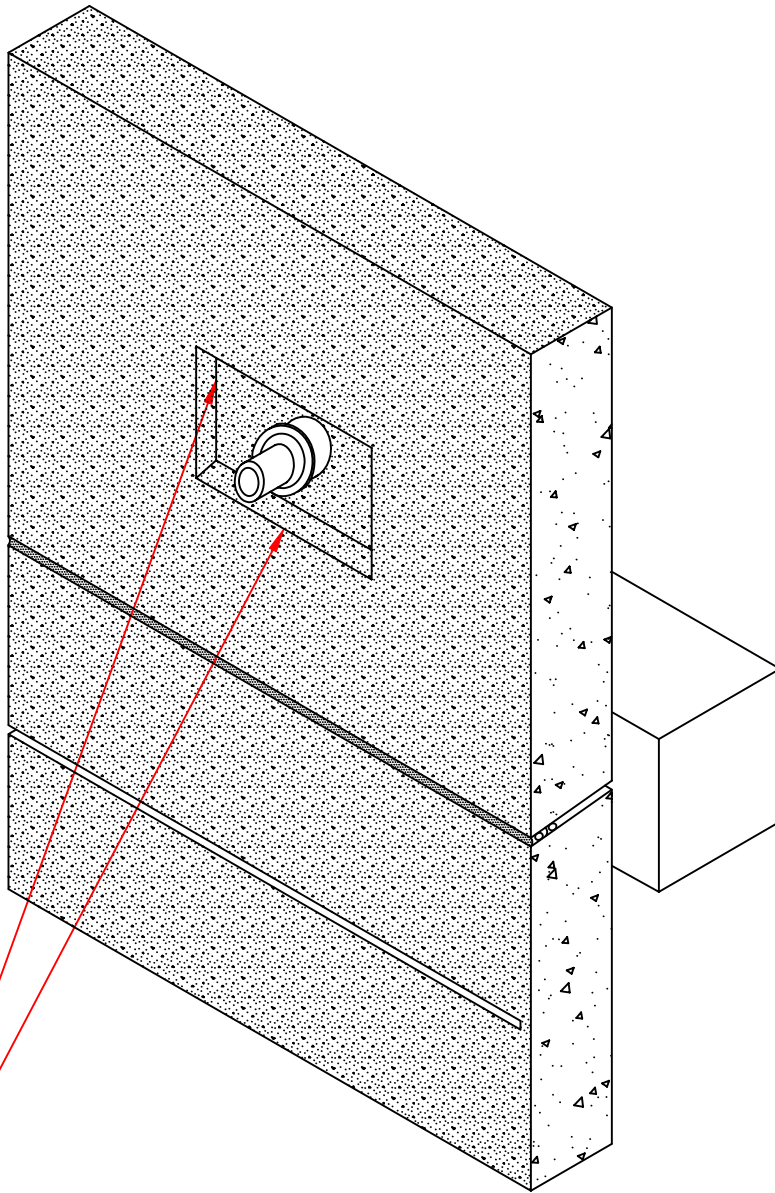
The air barrier can either be formed by an exterior side air barrier or by employing the interior side airtight drywall approach.

The location of or need for a vapor retarder within wall assemblies will vary based upon climate, and can be significantly influenced by the storage capacity and vapor permeance of the materials selected for each layer of the wall system. A climate-specific, hygrothermal analysis for any wall assembly should be considered to further evaluate this concern.

See the General section of the WBDG for additional information and guidance.

ARCHITECTURAL PRECAST ROUND PENETRATION - FLASHING DETAIL

The details, graphics and related information shown above are intended to illustrate basic design concepts and principles only and should be considered collectively with the appropriate narrative sections of the Whole Building Design Guide (WBDG). The information contained herein is not intended for actual construction, and is subject to revision based on changes and/or refinements in local, state and national building codes, emerging building envelope technologies, and advancements in the research and understanding of building envelope failure and failure mechanisms. The actual design and configuration of these and similar details will vary based upon applicable local, state and national building code requirements, climatic considerations, and economic constraints unique to each project. Full compliance with the manufacturer's recommendations and recognized industry standards for each building envelope material, component and system specified for this and similar exterior wall assemblies is recommended, and should be reflected in the appropriate sections of the project specifications.



SLOPED SECTION BELOW PENETRATION CAST INTO PANEL PANEL SEE 2-D DETAIL FOR ALL ELEMENTS USED. DRIP CUT IN ABOVE PENETRATION TO REDIRECT PRECIPITATION AWAY FROM PENETRATION. GASKETED SLEEVE USED AROUND PENETRATION WITH EXTERIOR SEALANT BEAD.

CONCEPTUAL – NOT FOR CONSTRUCTION

KEY CONCEPTS:

The dimensions and material relationships shown in this detail are not to scale and have been exaggerated for clarity. Actual dimensions will vary, and should be carefully coordinated with sequencing and construction tolerances to ensure the long-term durability and performance of this and similar exterior wall details.

Interface conditions between building envelope materials, components and systems should be fully detailed in a manner that is both technically sound and serviceable. Detailing should, at a minimum, allow for coordination of drainage planes when two or more different wall types are used in the same facade; allow for thermal and moisture-induced changes in material properties and differential thermal movement; and allow for in-service deflection, shrinkage, creep and similar behavior considered to be within the allowable structural limits of the project without compromise to the weather-tight integrity and thermal performance of the building envelope.

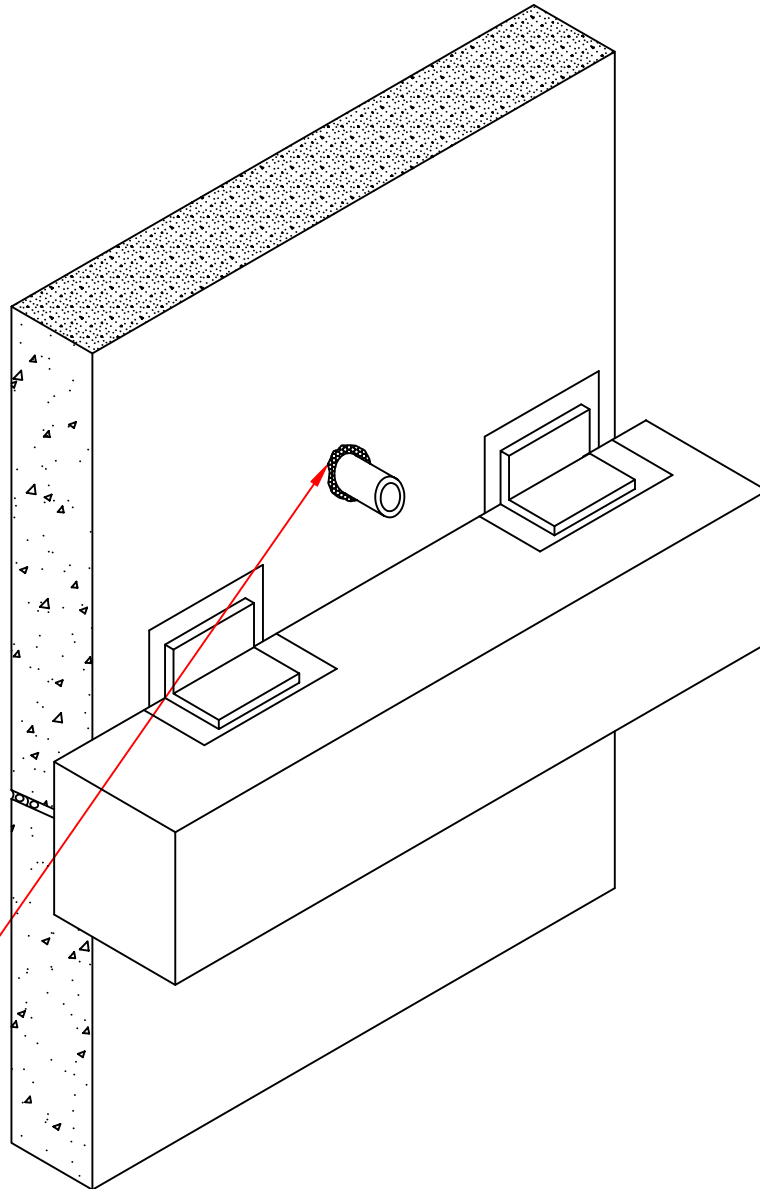
The air barrier can either be formed by an exterior side air barrier or by employing the interior side airtight drywall approach.

The location of or need for a vapor retarder within wall assemblies will vary based upon climate, and can be significantly influenced by the storage capacity and vapor permeance of the materials selected for each layer of the wall system. A climate-specific, hygrothermal analysis for any wall assembly should be considered to further evaluate this concern.

See the General section of the WBDG for additional information and guidance.

**ARCHITECTURAL
PRECAST
ROUND PENETRATION -
EXTERIOR DETAIL**

The details, graphics and related information shown above are intended to illustrate basic design concepts and principles only and should be considered collectively with the appropriate narrative sections of the Whole Building Design Guide (WBDG). The information contained herein is not intended for actual construction, and is subject to revision based on changes and/or refinements in local, state and national building codes, emerging building envelope technologies, and advancements in the research and understanding of building envelope failure and failure mechanisms. The actual design and configuration of these and similar details will vary based upon applicable local, state and national building code requirements, climatic considerations, and economic constraints unique to each project. Full compliance with the manufacturer's recommendations and recognized industry standards for each building envelope material, component and system specified for this and similar exterior wall assemblies is recommended, and should be reflected in the appropriate sections of the project specifications.



INSTALL EXPANDING URETHANE FOAM AIR SEAL AROUND PENETRATION. CHECK FIRE RATING AND OTHER APPROPRIATE REQUIREMENTS OF THE BUILDING CODE AND ALSO CHECK WITH THE PIPE/CONDUIT/ETC. (PENETRATION ELEMENT) MANUFACTURER TO ENSURE MATERIAL COMPATIBILITY BETWEEN THE FOAM AND PENETRATION MATERIAL.

CONCEPTUAL – NOT FOR CONSTRUCTION

KEY CONCEPTS:

The dimensions and material relationships shown in this detail are not to scale and have been exaggerated for clarity. Actual dimensions will vary, and should be carefully coordinated with sequencing and construction tolerances to ensure the long-term durability and performance of this and similar exterior wall details.

Interface conditions between building envelope materials, components and systems should be fully detailed in a manner that is both technically sound and serviceable. Detailing should, at a minimum, allow for coordination of drainage planes when two or more different wall types are used in the same facade; allow for thermal and moisture-induced changes in material properties and differential thermal movement; and allow for in-service deflection, shrinkage, creep and similar behavior considered to be within the allowable structural limits of the project without compromise to the weather-tight integrity and thermal performance of the building envelope.

The air barrier can either be formed by an exterior side air barrier or by employing the interior side airtight drywall approach.

The location of or need for a vapor retarder within wall assemblies will vary based upon climate, and can be significantly influenced by the storage capacity and vapor permeance of the materials selected for each layer of the wall system. A climate-specific, hygrothermal analysis for any wall assembly should be considered to further evaluate this concern.

See the General section of the WBDG for additional information and guidance.

**ARCHITECTURAL
PRECAST
ROUND PENETRATION -
INTERIOR DETAIL**

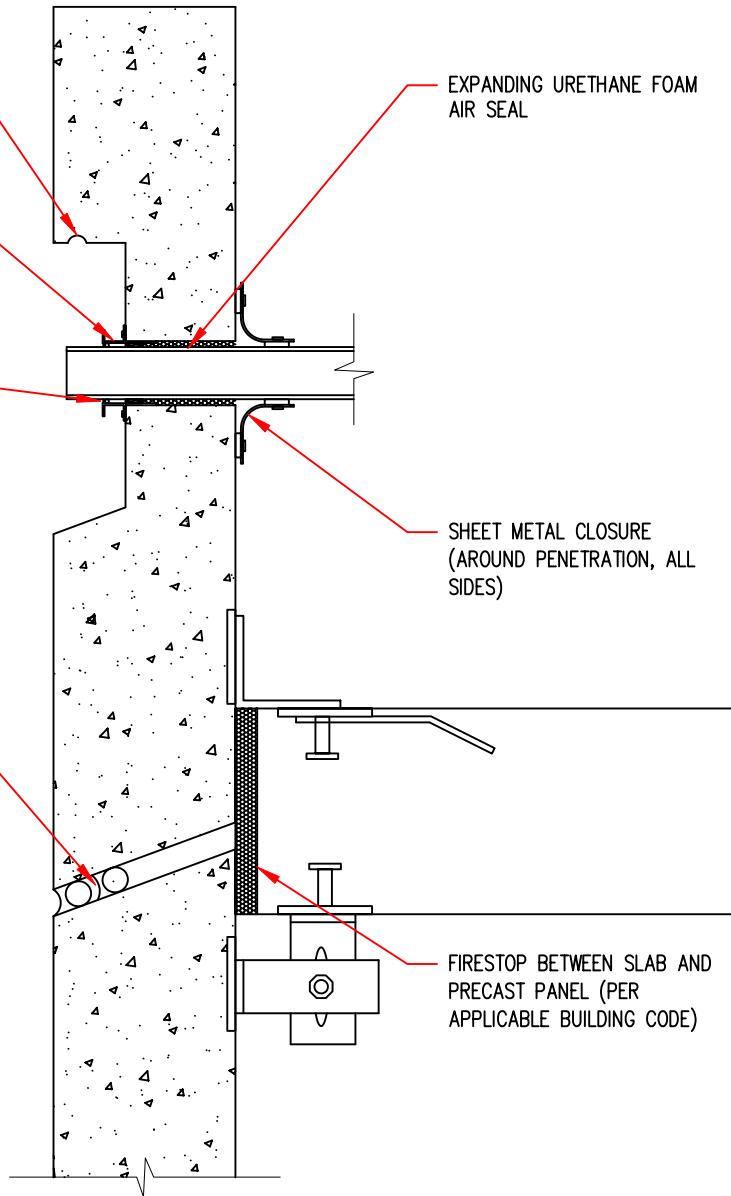
The details, graphics and related information shown above are intended to illustrate basic design concepts and principles only and should be considered collectively with the appropriate narrative sections of the Whole Building Design Guide (WBDG). The information contained herein is not intended for actual construction, and is subject to revision based on changes and/or refinements in local, state and national building codes, emerging building envelope technologies, and advancements in the research and understanding of building envelope failure and failure mechanisms. The actual design and configuration of these and similar details will vary based upon applicable local, state and national building code requirements, climatic considerations, and economic constraints unique to each project. Full compliance with the manufacturer's recommendations and recognized industry standards for each building envelope material, component and system specified for this and similar exterior wall assemblies is recommended, and should be reflected in the appropriate sections of the project specifications.

DRIP (RECESS) IN
PRECAST

GASKETED COLLAR

EXTERIOR AIR SEAL
BETWEEN COLLAR AND
PIPE/CONDUIT/ETC.

TWO-STAGE SEALANT
JOINT AT SLOPED
PRECAST JOINT. SEE
OTHER DETAILS FOR
HORIZONTAL-TO-VERTICAL
JOINT TRANSITION.
ALL VERTICAL JOINTS
TO BE DRAINED AT
HORIZONTAL JOINTS.



EXPANDING URETHANE FOAM
AIR SEAL

SHEET METAL CLOSURE
(AROUND PENETRATION, ALL
SIDES)

FIRESTOP BETWEEN SLAB AND
PRECAST PANEL (PER
APPLICABLE BUILDING CODE)

KEY CONCEPTS:

The dimensions and material relationships shown in this detail are not to scale and have been exaggerated for clarity. Actual dimensions will vary, and should be carefully coordinated with sequencing and construction tolerances to ensure the long-term durability and performance of this and similar exterior wall details.

Interface conditions between building envelope materials, components and systems should be fully detailed in a manner that is both technically sound and serviceable. Detailing should, at a minimum, allow for coordination of drainage planes when two or more different wall types are used in the same facade; allow for thermal and moisture-induced changes in material properties and differential thermal movement; and allow for in-service deflection, shrinkage, creep and similar behavior considered to be within the allowable structural limits of the project without compromise to the weather-tight integrity and thermal performance of the building envelope.

The air barrier can either be formed by an exterior side air barrier or by employing the interior side airtight drywall approach.

The location of or need for a vapor retarder within wall assemblies will vary based upon climate, and can be significantly influenced by the storage capacity and vapor permeance of the materials selected for each layer of the wall system. A climate-specific, hydrothermal analysis for any wall assembly should be considered to further evaluate this concern.

See the General section of the WBDG for additional information and guidance.

ARCHITECTURAL PRECAST ROUND PENETRATION - FLASHING DETAIL

CONCEPTUAL – NOT FOR CONSTRUCTION

The details, graphics and related information shown above are intended to illustrate basic design concepts and principles only and should be considered collectively with the appropriate narrative sections of the Whole Building Design Guide (WBDG). The information contained herein is not intended for actual construction, and is subject to revision based on changes and/or refinements in local, state and national building codes, emerging building envelope technologies, and advancements in the research and understanding of building envelope failure and failure mechanisms. The actual design and configuration of these and similar details will vary based upon applicable local, state and national building code requirements, climatic considerations, and economic constraints unique to each project. Full compliance with the manufacturer's recommendations and recognized industry standards for each building envelope material, component and system specified for this and similar exterior wall assemblies is recommended, and should be reflected in the appropriate sections of the project specifications.