

LOCATION PLAN  
SCALE: 1"=40'-0"

GENERAL NOTES

- ARCH TYPE I:  
FRONT WALL AND DOOR DESIGNED TO WITHSTAND THE PRESSURES GENERATED BY THE EXPLOSION OF 500,000 POUNDS OF HIGH EXPLOSIVES AT 185 FEET DISTANCE BETWEEN ADJACENT MAGAZINES.
- (D) FOR ELEVATIONS AND SECTION C-O SEE Y&D DWG NO. 627955 FOR STEEL DOOR DETAILS SEE Y&D DWG NO. 627956 & 751861 FOR VENTILATOR DETAIL SEE Y&D DWG NO. 627957 FOR GROUNDING DETAILS SEE Y&D DWG NO. 627955, 627956, AND 627957
- LAP ALL REINFB BARS 32 DIAMETERS AT SPLICES.  
CONCRETE ----- 2500 PSI EXCEPT FOR FLOOR 3500 PSI FOR FLOOR
- REINFORCING STEEL ----- 20,000 PSI  
MINIMUM COVER: 1" ON ALL WALLS UNLESS OTHERWISE SHOWN 3" ON FOOTINGS  
LAP WIRE MESH 2 SQUARES AT SPLICES.
- ASSUMED SOIL BEARING VALUE FOR DESIGN = 3000 PSF.  
ALL FOOTINGS SHALL BE CARRIED TO A DEPTH WHERE MINIMUM BEARING VALUE OF SOIL IS 3000 PSF. IF ACTUAL SOIL BEARING VALUE IS LESS THAN 3000 PSF, FOOTINGS MUST BE REDESIGNED TO SATISFY ACTUAL CONDITIONS.
- (B) PROVIDE FORMS FOR ALL FOOTING EXCAVATIONS
- (C) REINFORCE OPENINGS IN WALLS WITH "I-NOS" FOR 6" WALLS AND 2" NOS FOR ALL OTHER WALLS EXTENDING 2'-0" BEYOND OPENING HORIZONTALLY, VERTICALLY, AND AT CORNERS DIAGONALLY.

SYMBOL	DESCRIPTION	DATE	APPROVAL
F	CHANGED DRAINAGE SYSTEM, DIMENSIONS, OR HEADWALL & WIND WALLS	3/13/54	JK
E	VENTILATORS REVISED	28/9/51	WBS
D	REMOVED NOTE	12/14/54	WBS
C	REVISED VENTILATOR, CHGD SHEET NOS. 6 TO 7	5/28/57	WBS
B	ADDED 12'-0" LOADING AREA IN TITLE TO G	4/15/54	WBS
A	ADDED 16'-0" DOOR, CHGD TOTAL NO. SHEETS FROM 9 TO 5	6/14/50	WBS

DEPARTMENT OF THE NAVY WASHINGTON, D.C.  
**BUREAU OF YARDS & DOCKS**

DES KEITH  
DRWN BY UPTTR  
CHK J ZIMMERMAN  
LDR BENNETT  
SUPV BENNETT  
HEAD SECK  
MGR. J. L. ...  
ENGR CONS. ...  
PROJ MGMT. ...  
DIRECTOR

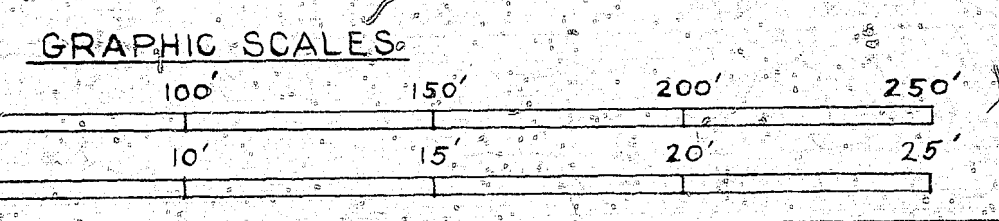
STANDARD  
**HIGH EXPLOSIVES MAGAZINE**  
ARCH TYPE I  
(FLOOR AT GRADE) (12'-0" LOADING AREA)  
**PLANS & ELEVATIONS**

APPROVED: [Signature] DATE 4/5/54  
FOR CHIEF OF BUREAU

W R NUMBER 53-166

SATISFACTORY TO BUREAU OF ORDNANCE  
IN BOOKS 4808  
THIS INFORMATION IS FOR BUDDOCKS E & T DIVISION ONLY

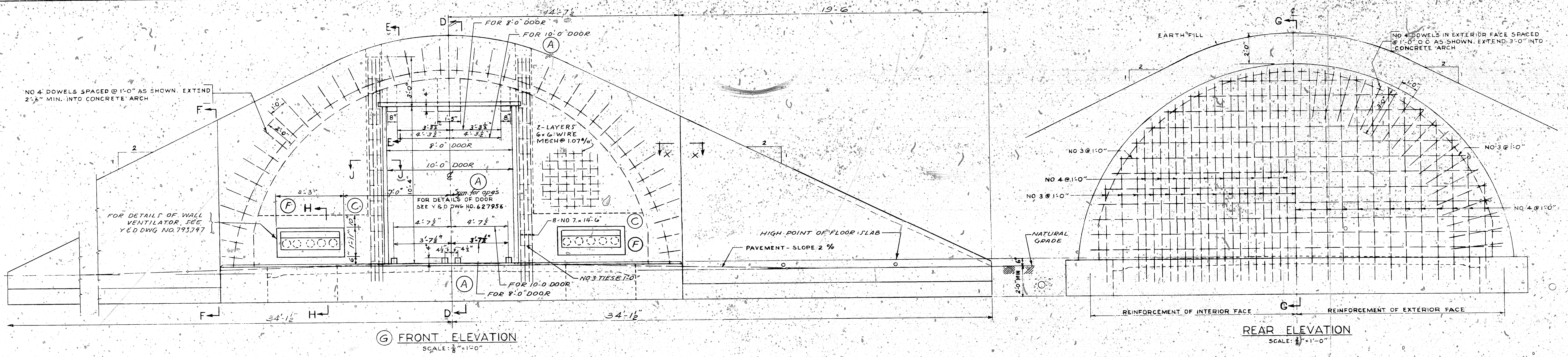
SCALE AS NOTED [SPEC S-M8]  
SHEET 1 OF 7 NO. ...  
Y&D DWG NO. 627954



THE COMPUTATIONS FOR THIS DESIGN ARE CONTAINED IN BOOKS 4808  
THIS INFORMATION IS FOR BUDDOCKS E & T DIVISION ONLY

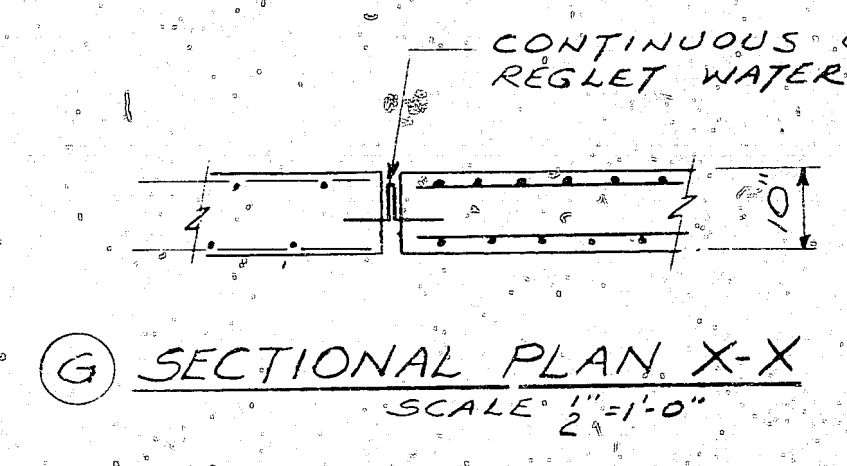
32-409



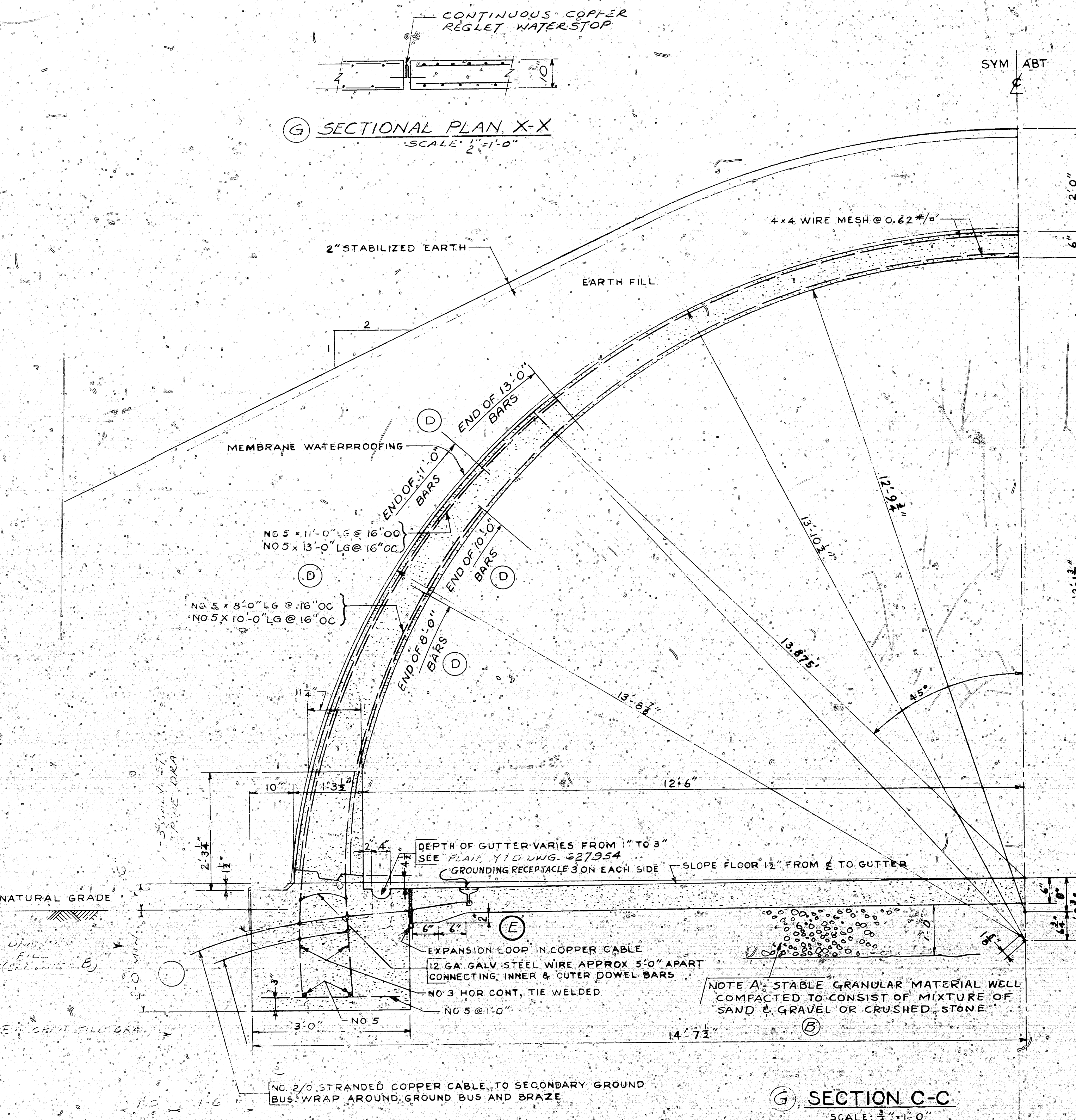


FRONT ELEVATION  
SCALE: 1/8" = 1'-0"

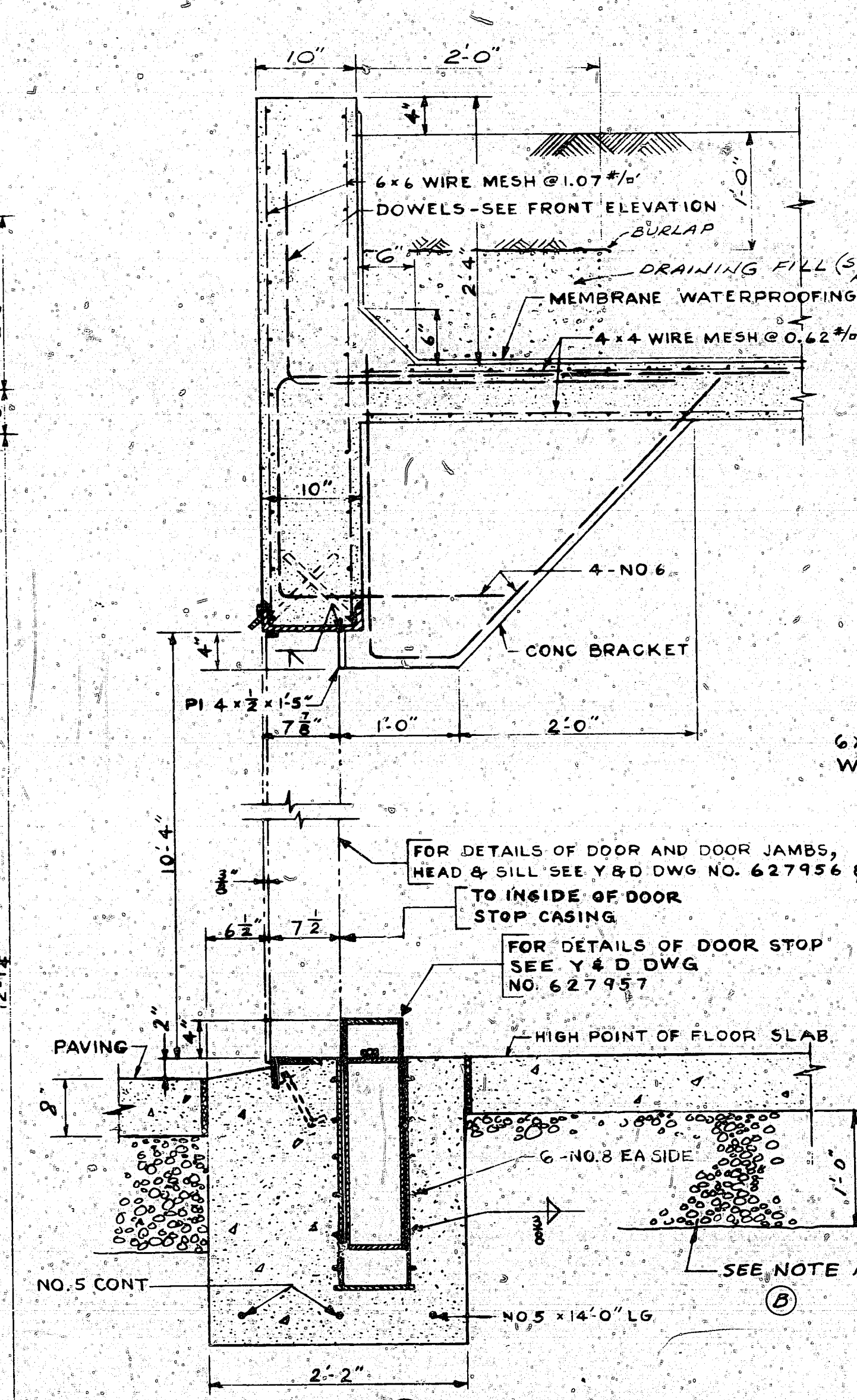
REAR ELEVATION  
SCALE: 1/8" = 1'-0"



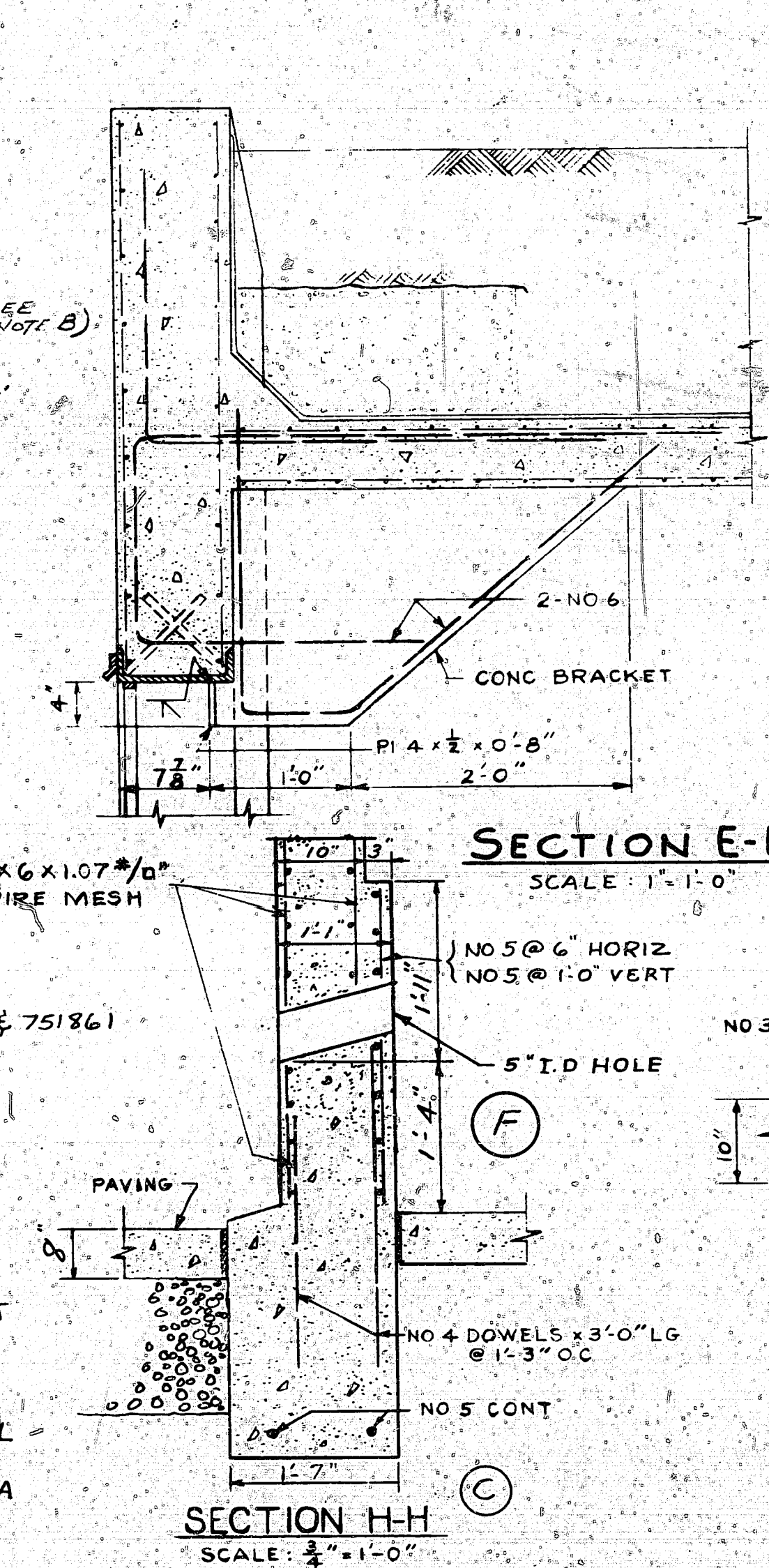
SECTIONAL PLAN X-X  
SCALE: 1/2" = 1'-0"



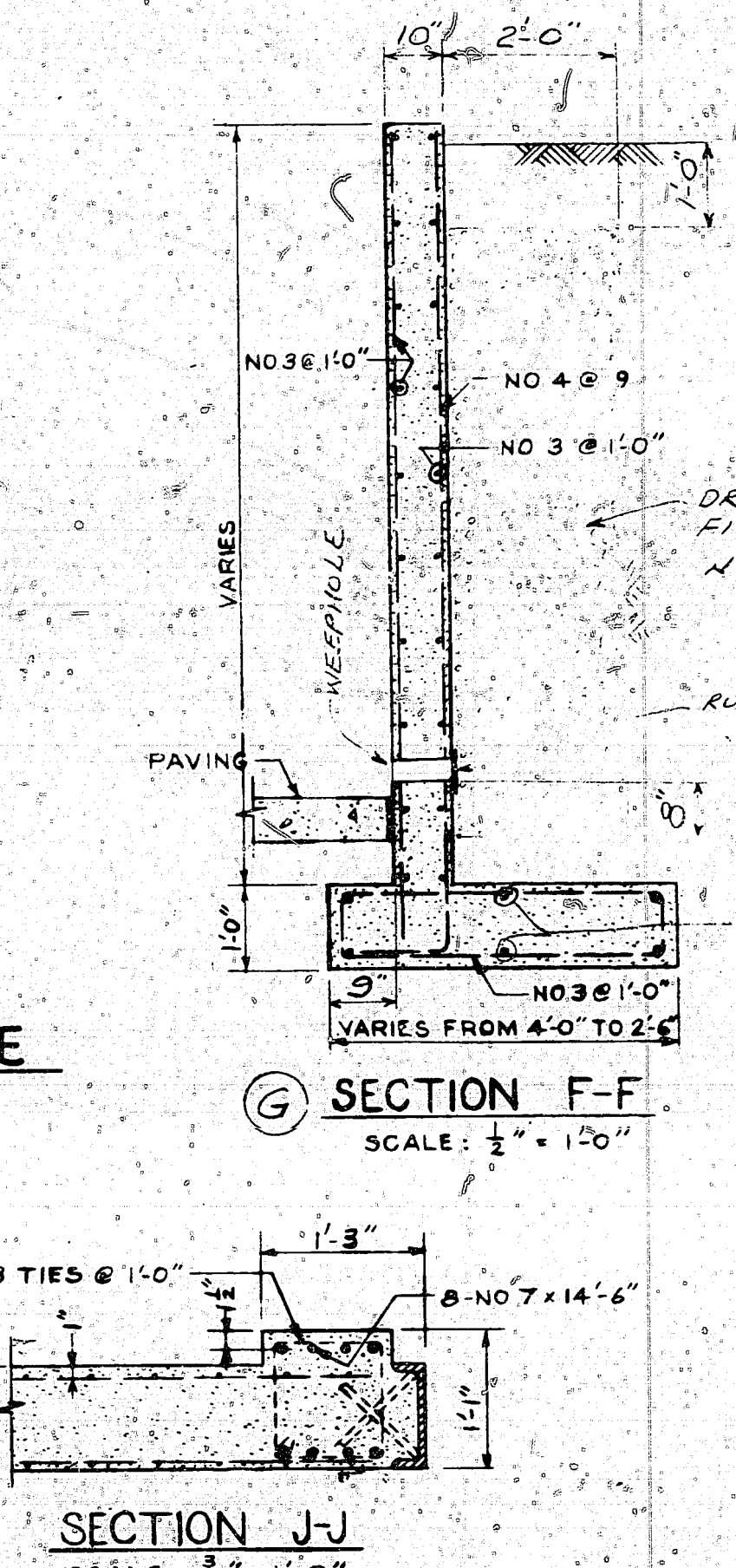
SECTION C-C  
SCALE: 1/4" = 1'-0"



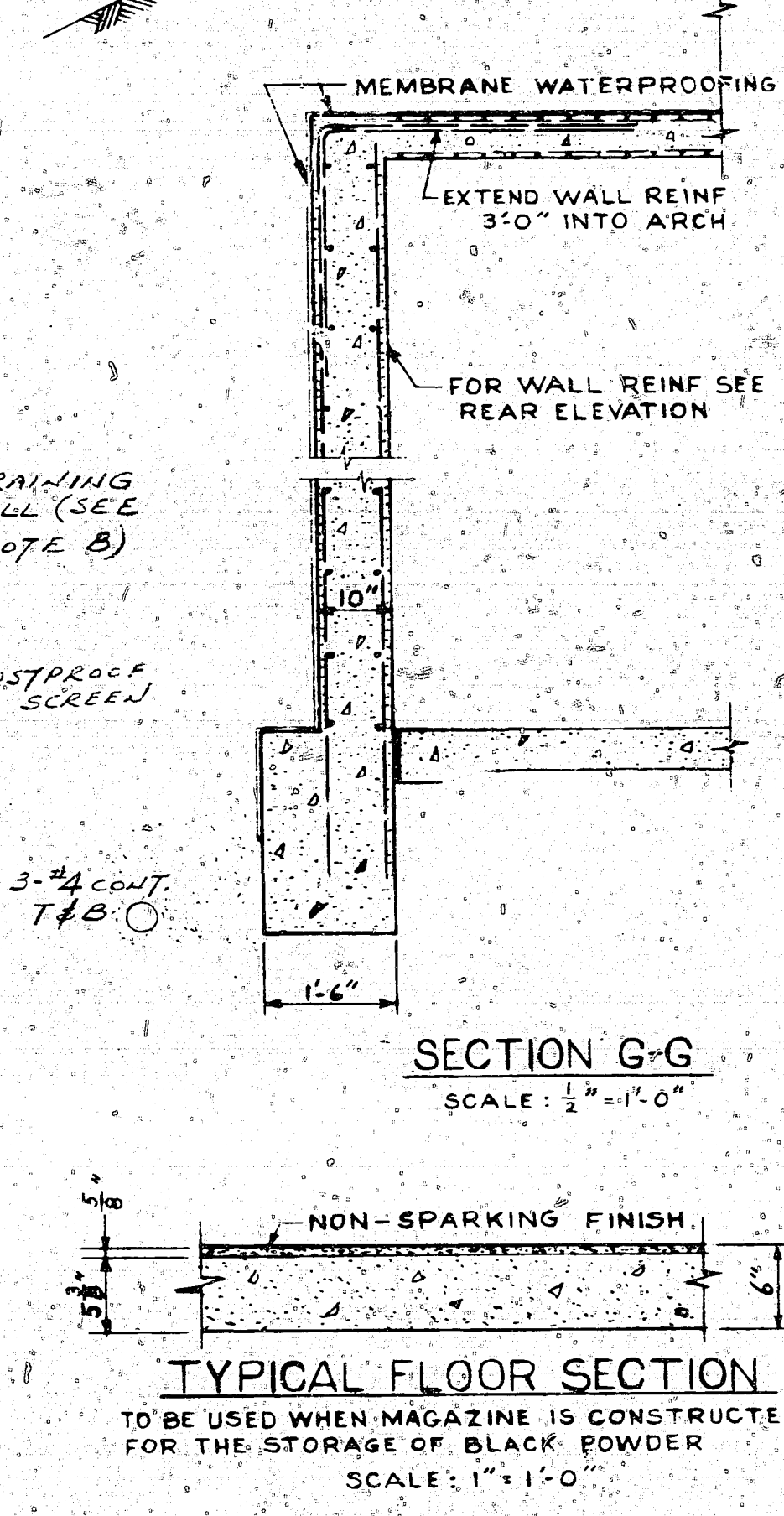
SECTION D-D  
SCALE: 1/2" = 1'-0"



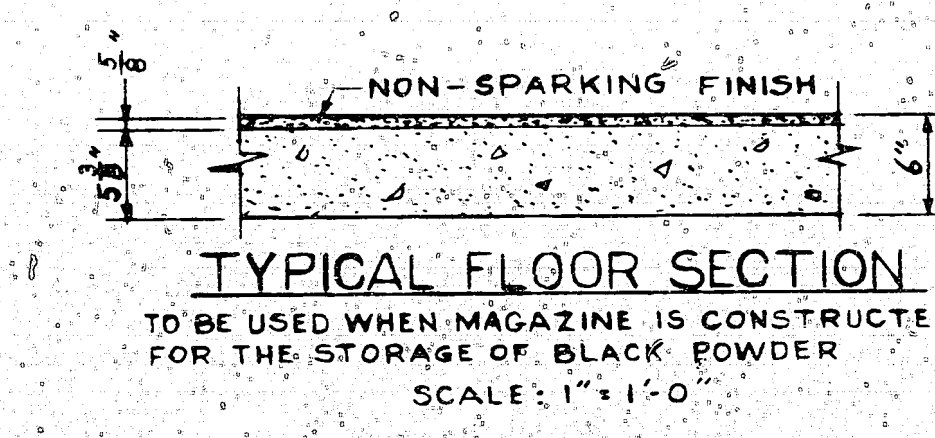
SECTION E-E  
SCALE: 1" = 1'-0"



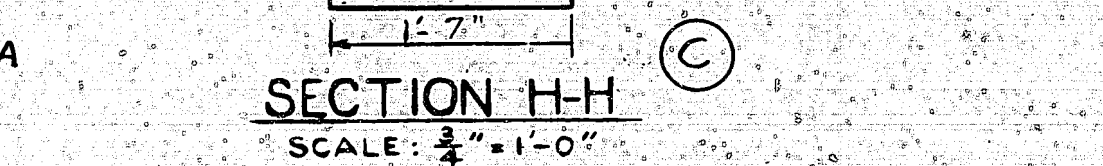
SECTION F-F  
SCALE: 1/2" = 1'-0"



SECTION G-G  
SCALE: 1/2" = 1'-0"



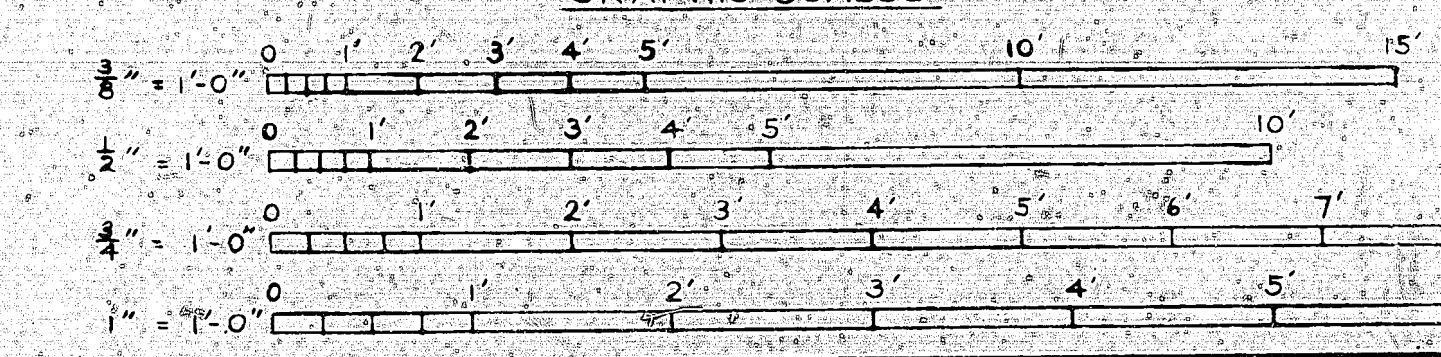
TYPICAL FLOOR SECTION  
SCALE: 1" = 1'-0"



SECTION H-H  
SCALE: 1/2" = 1'-0"

NOTES

FOR LOCATION OF ELEVATIONS AND SECTION C-C SEE Y & D DWG NO. 627954.  
FOR DETAIL OF 8'-0" DOOR, SEE Y & D DWG NO. 627956.  
FOR DETAIL OF 10'-0" DOOR, SEE Y & D DWG NO. 751861.  
NOTE B: DRAINING FILL TO CONSIST OF WELL-GRADED AND POOR GRADED GRAVEL & WELL GRADED AND POOR GRADED SAND. SEE SPECS. GRAPHIC SCALES.



SYMBOL	DESCRIPTION	DATE	APPROVAL
G	DELETED 10'-0" DOOR, ADDED 8'-0" DOOR NEAR R.R. REVISED	10/1/54	DES KEITH
F	VENTILATOR REVISED	11/16/54	DES KEITH
E	GROUNDING RECEPTACLE REVISED	11/16/54	DES KEITH
D	REINFORCING REVISED - SECTION C-C	11/16/54	DES KEITH
C	ADDED VENTILATOR OPENINGS, CHGD SHEET NO. 6 TO 7	11/16/54	DES KEITH
B	CHGD TOTAL NO. SHEETS FROM 5 TO 6	11/16/54	DES KEITH
A	ADDED 10'-0" DOOR & REF NOTE, CHGD TOTAL NO. TH FROM 4 TO 5	12/15/54	DES KEITH

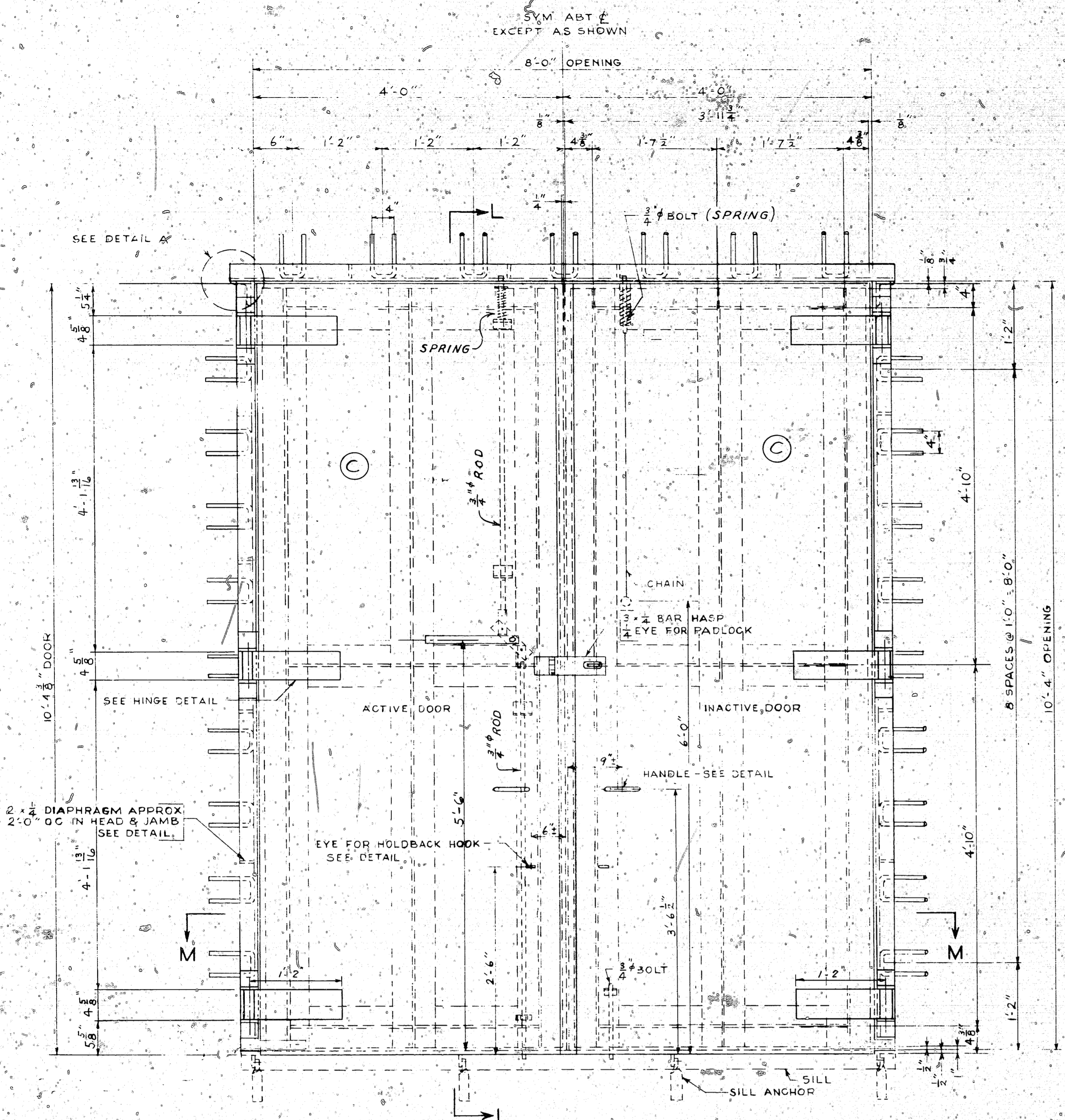
  

DEPARTMENT OF THE NAVY		WASHINGTON, D. C.	
BUREAU OF YARDS & DOCKS			
STANDARD HIGH EXPLOSIVES MAGAZINE ARCH TYPE I (FLOOR AT GRADE) ELEVATIONS & SECTIONS			
DES KEITH	DRWN KEITH	CHK ZIMMERMAN	LIA BARNETT
ENGR CONN	PRQJ MGMT	APPROVED	DATE 4/5/54
SATSFACTORY TO		SCALE AS NOTED SPEC S-M8	
NO. BOOKS 4808		SHEET 2 OF 7 NO.	
THIS INFORMATION IS FOR BUDGETS & T. S. DIVISION ONLY		Y & D DWG NO. 627955	

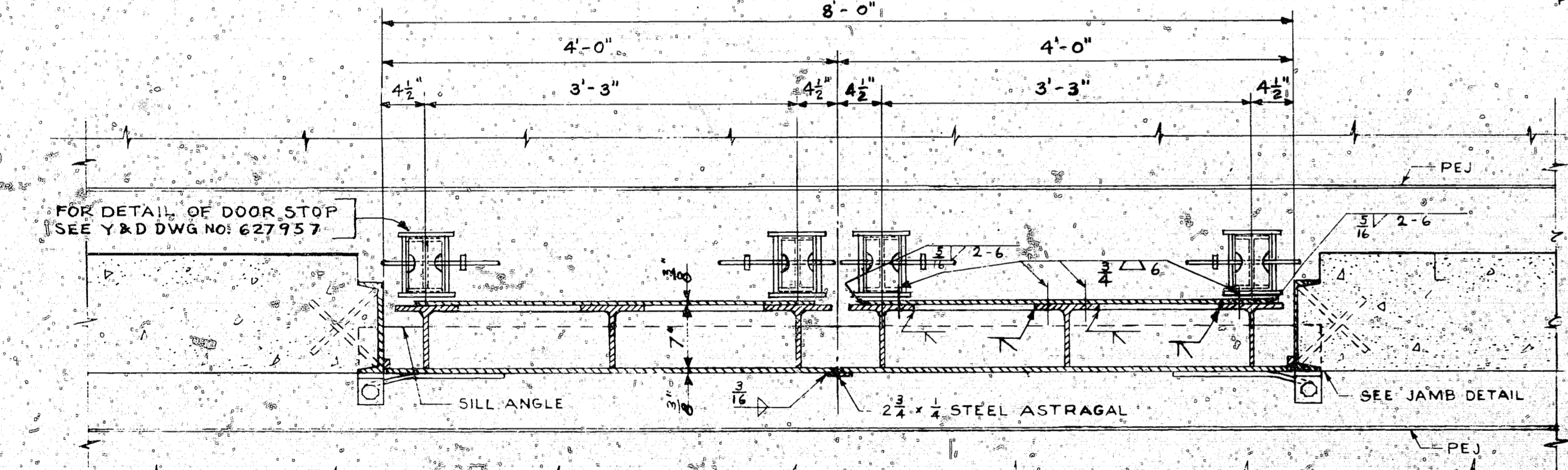
1-32-410

DES KEITH  
 HIGH EXP. MAG. ARCH. TYPE I  
 FLOOR AT GRADE  
 ELEVATIONS & SECTIONS  
 627955  
 4/5/54

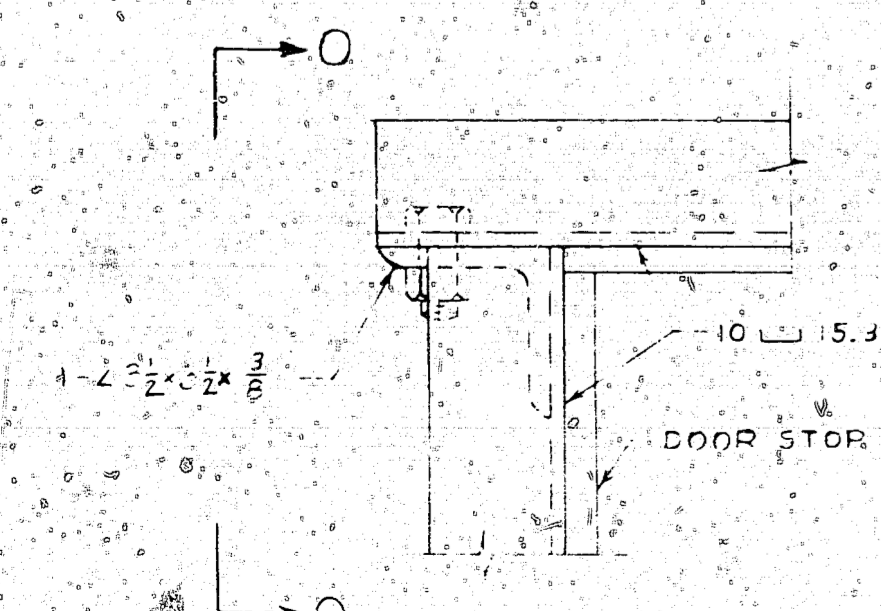




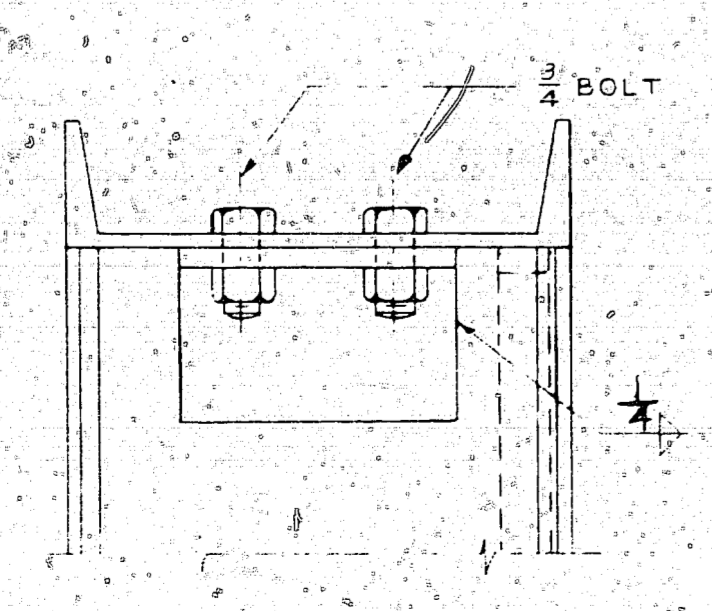
ELEVATION OF DOOR  
SCALE: 1/2" = 1'-0"



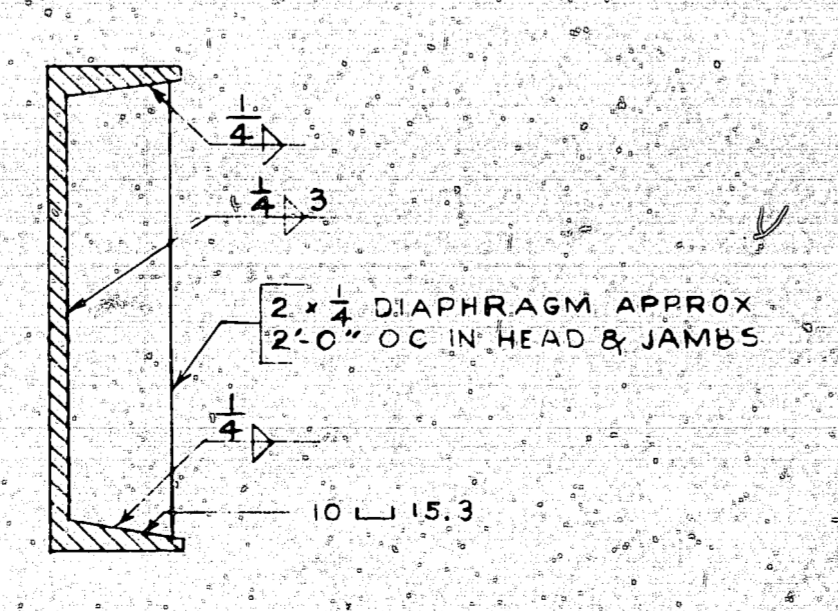
SECTION M-M  
SCALE: 1/2" = 1'-0"



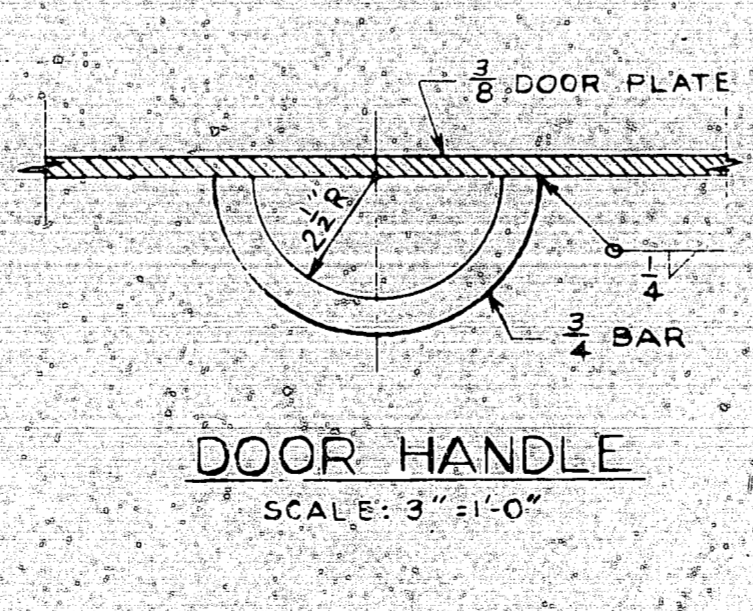
DETAIL A  
SCALE: 3/4" = 1'-0"



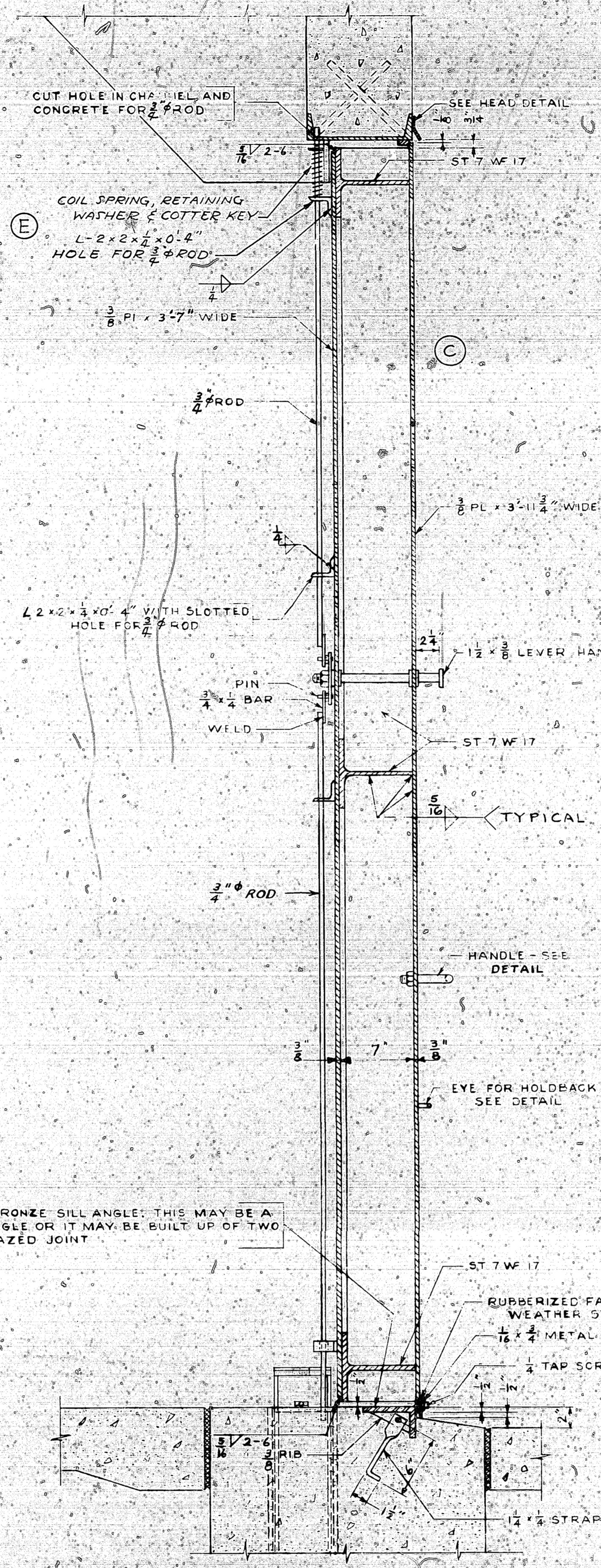
ELEVATION O-O  
SCALE: 3/4" = 1'-0"



DETAIL OF DIAPHRAGM  
SCALE: 3/4" = 1'-0"



DOOR HANDLE  
SCALE: 3/4" = 1'-0"

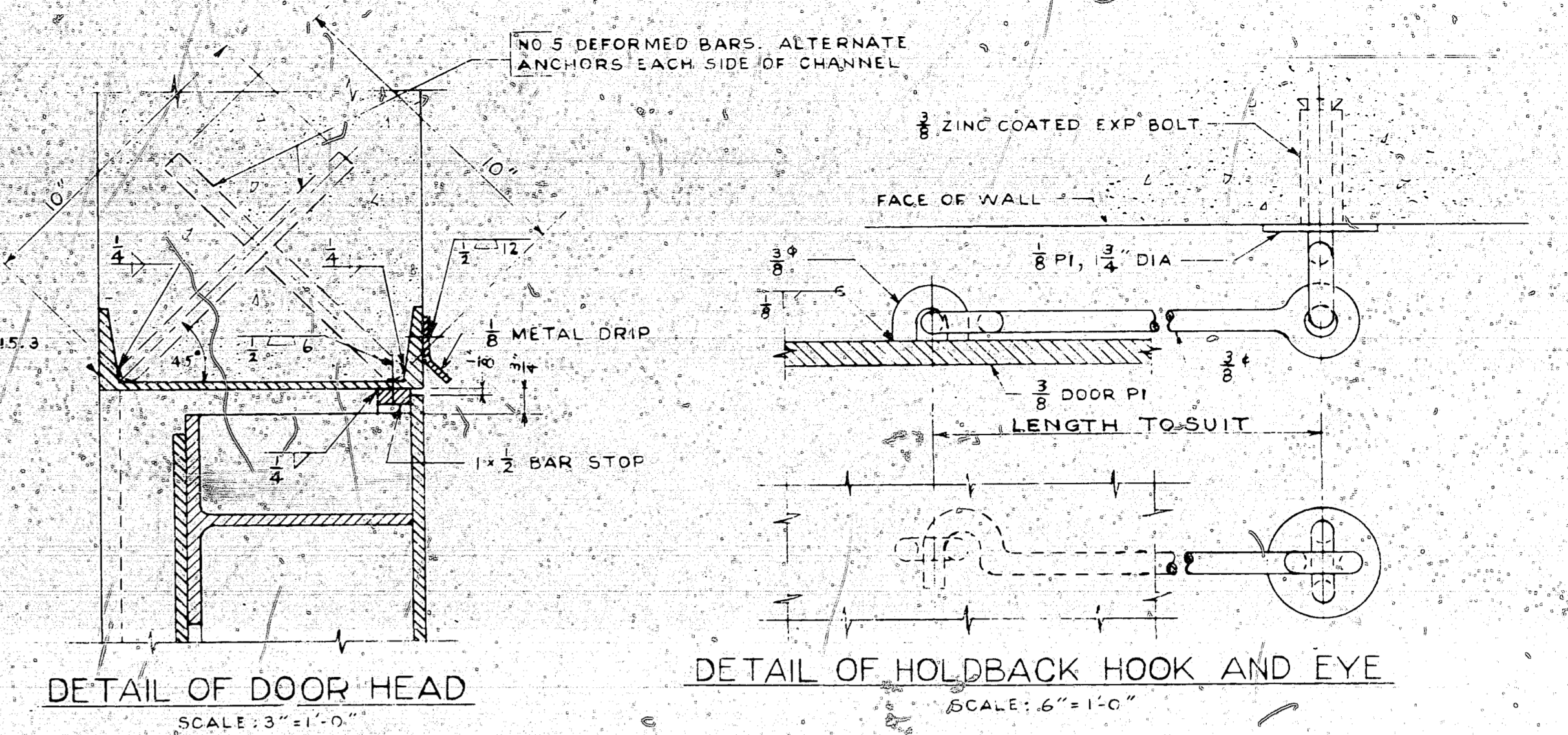
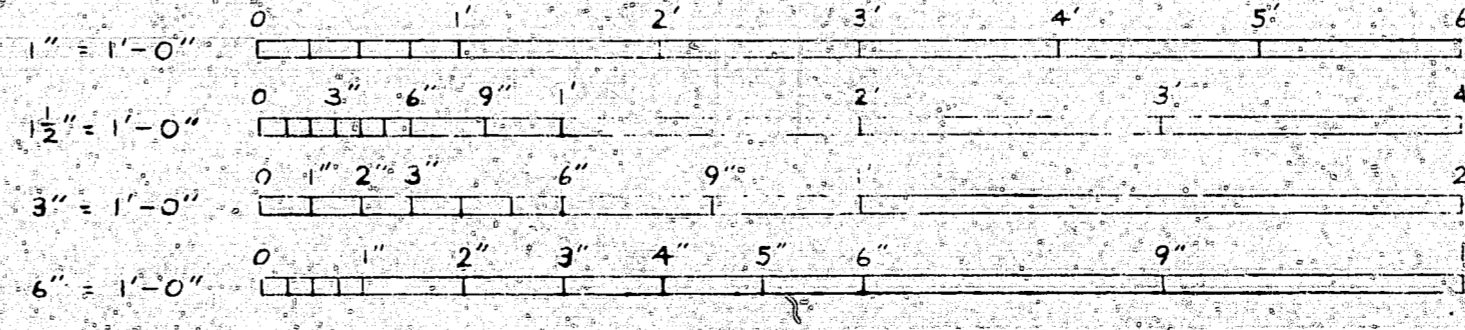


SECTION L-L  
SCALE: 1/2" = 1'-0"

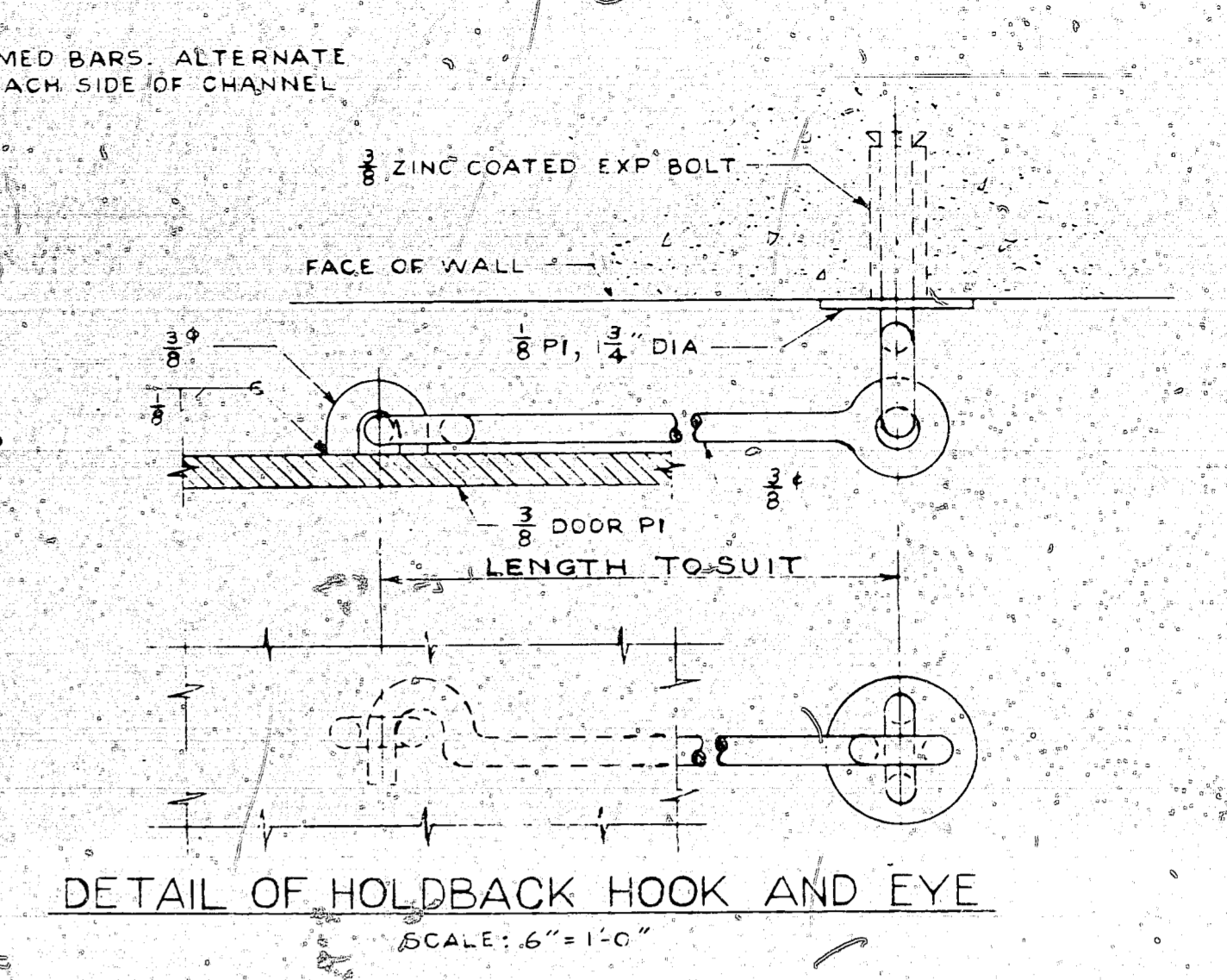
NOTES

FOR LOCATION OF DOOR SEE Y & D DWG NO. 627954 AND 627955

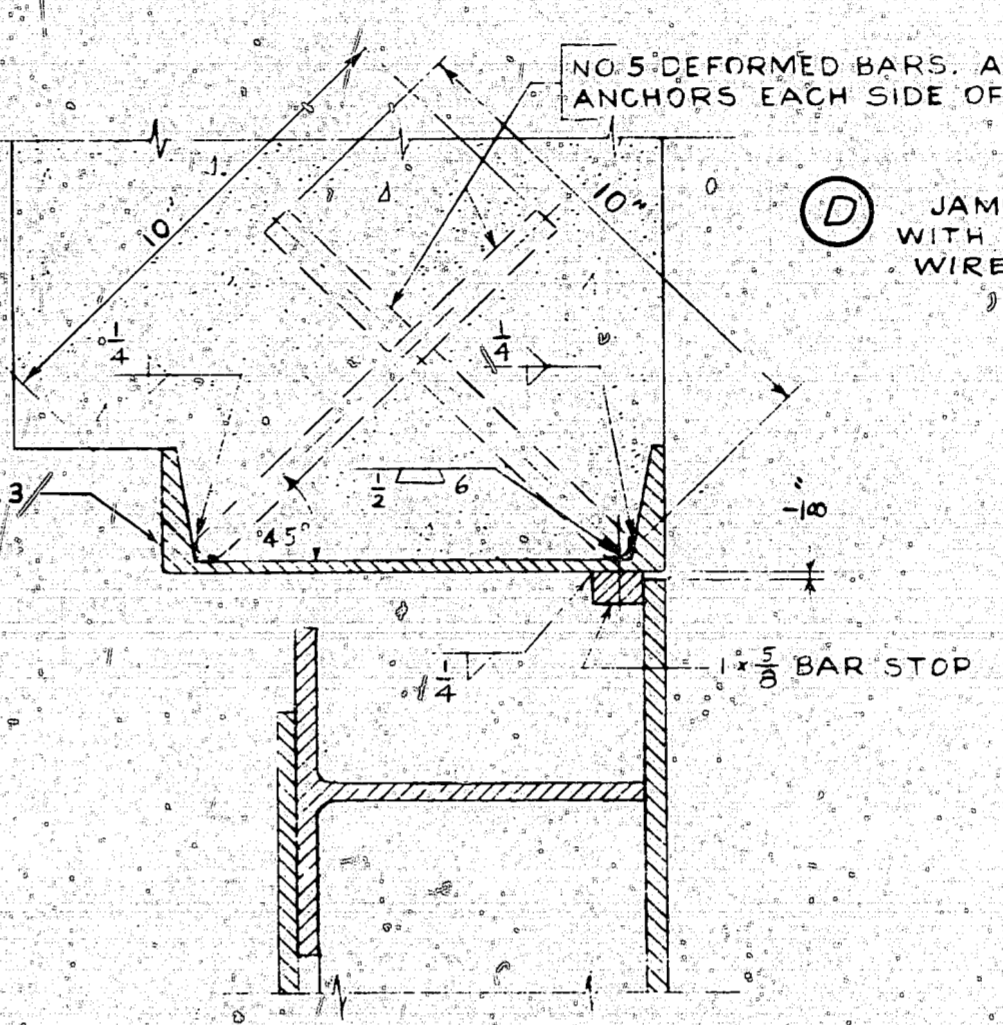
GRAPHIC SCALES



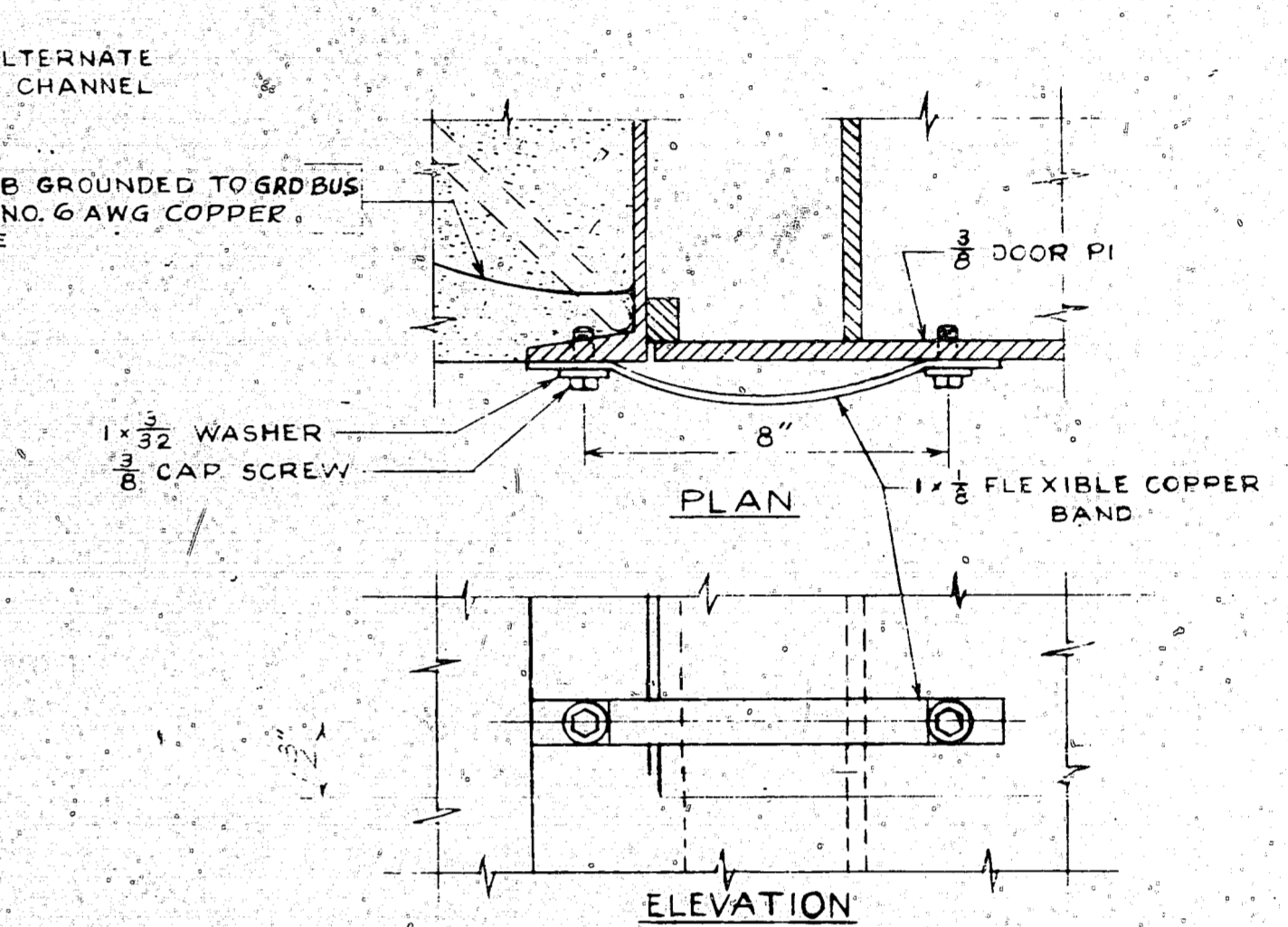
DETAIL OF DOOR HEAD  
SCALE: 3/4" = 1'-0"



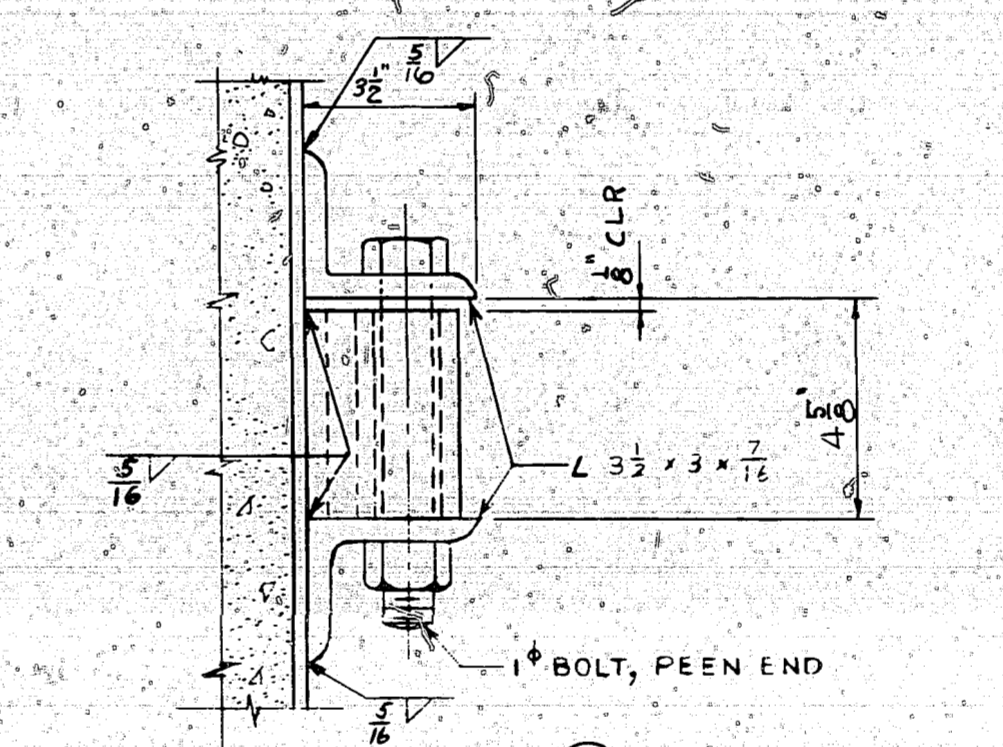
DETAIL OF HOLDBACK HOOK AND EYE  
SCALE: 6" = 1'-0"



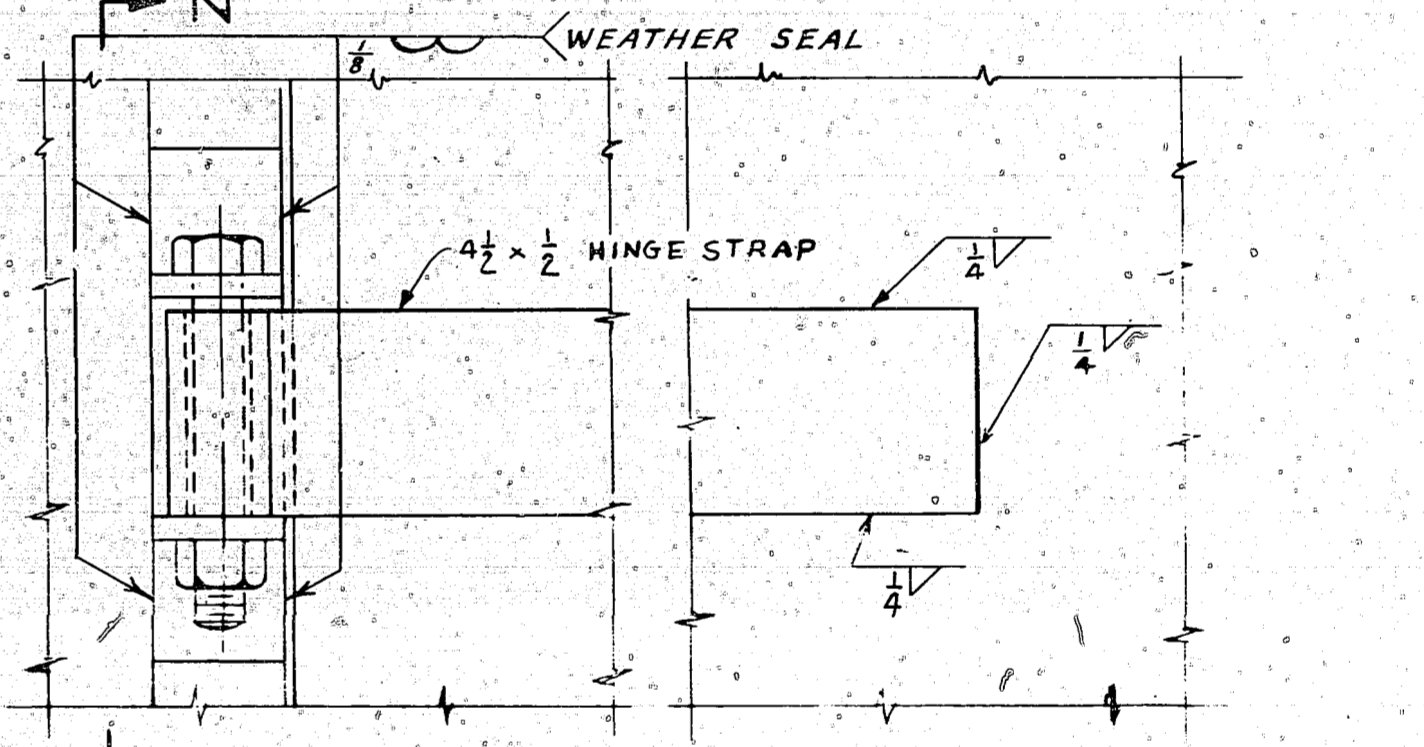
DETAIL OF DOOR JAMB  
SCALE: 3/4" = 1'-0"



GROUNDING DETAIL  
SCALE: 3/4" = 1'-0"



SECTION N-N  
SCALE: 3/4" = 1'-0"



HINGE DETAIL  
SCALE: 3/4" = 1'-0"

OBsolete. DRAWING HAS BEEN DESTROYED

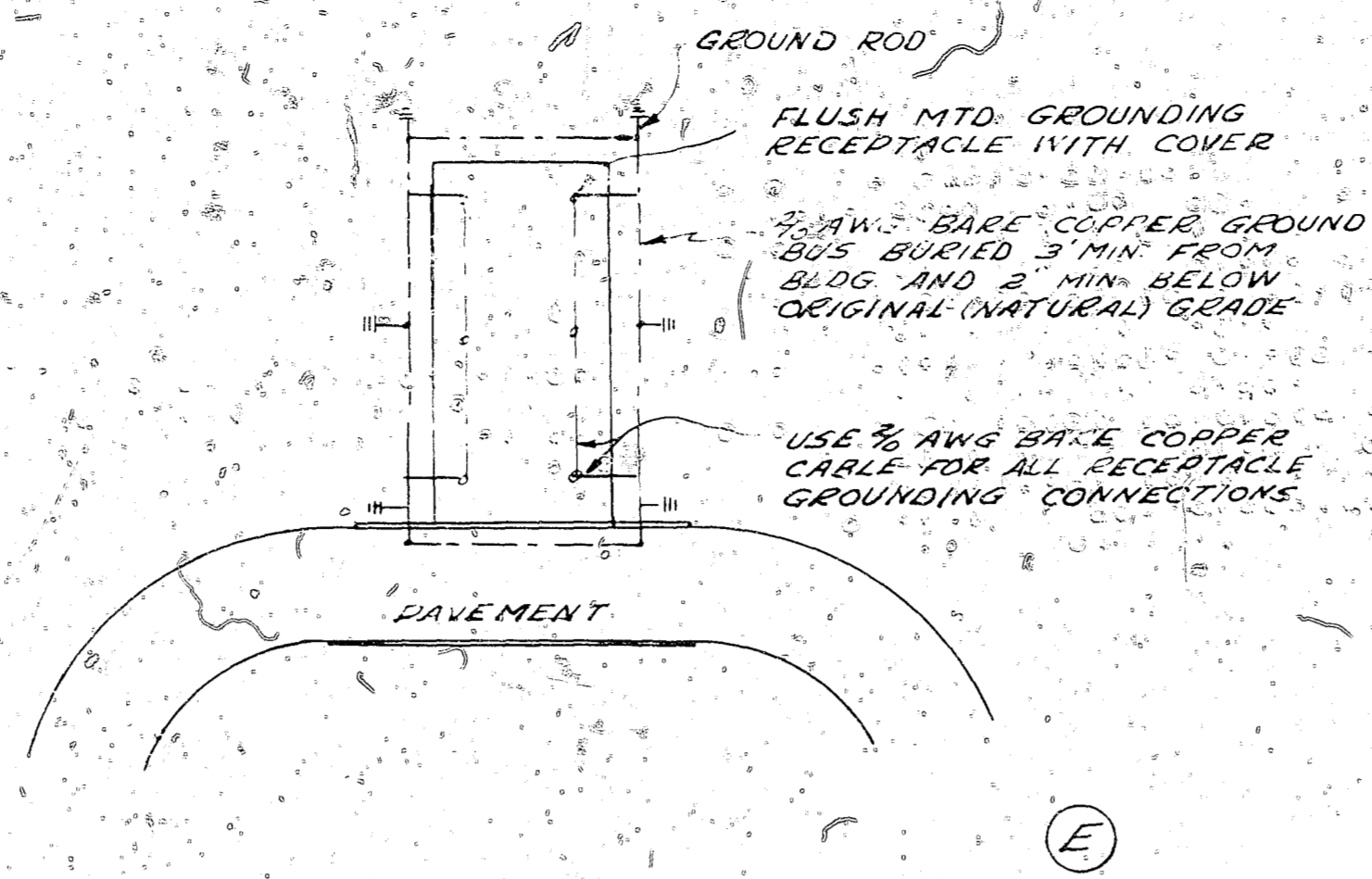
SYMBOL	DESCRIPTION	DATE	APPROVAL
E	ADDED SPRING, SIZE 6" DETAIL OF HINGET REVISED	7/9/16	
D	REVISED WIRE SIZE		
C	REMOVED LOUVERS IN DOOR, CHGD SHEET NOS C TO 7	5/28/57	
B	CHGD TOTAL NO. SHEETS FROM 5 TO 6		
A	CHGD TOTAL NO. SHEETS FROM 4 TO 5. REV TITLE	3/2/50	

DEPARTMENT OF THE NAVY		WASHINGTON, D.C.	
BUREAU OF YARDS & DOCKS			
DES KEITH DRW: KEITH R		<b>STANDARD HIGH EXPLOSIVES MAGAZINE ARCH TYPE I (FLOOR AT GRADE) 8'-0" STEEL DOOR DETAILS</b>	
CHK: J. ZIMMERMAN			
DOR: BENNETT			
SUPV: BENNETT			
HEAD: S. FELCK			
MGR: [Signature]			
ENGR. CONS: [Signature]		APPROVED: [Signature] DATE: 4/5/54	
PROJ MGMT: [Signature]		FOR CHIEF OF BUREAU	
DIRECTOR: [Signature]		SATISFACTORY TO: [Signature]	
NAY: [Signature]		SCALE AS NOTED, SPEC S-MB	
DATE: 3/16/54		SHEET 3 OF 7, NO. Y & D DWG NO. 627956	

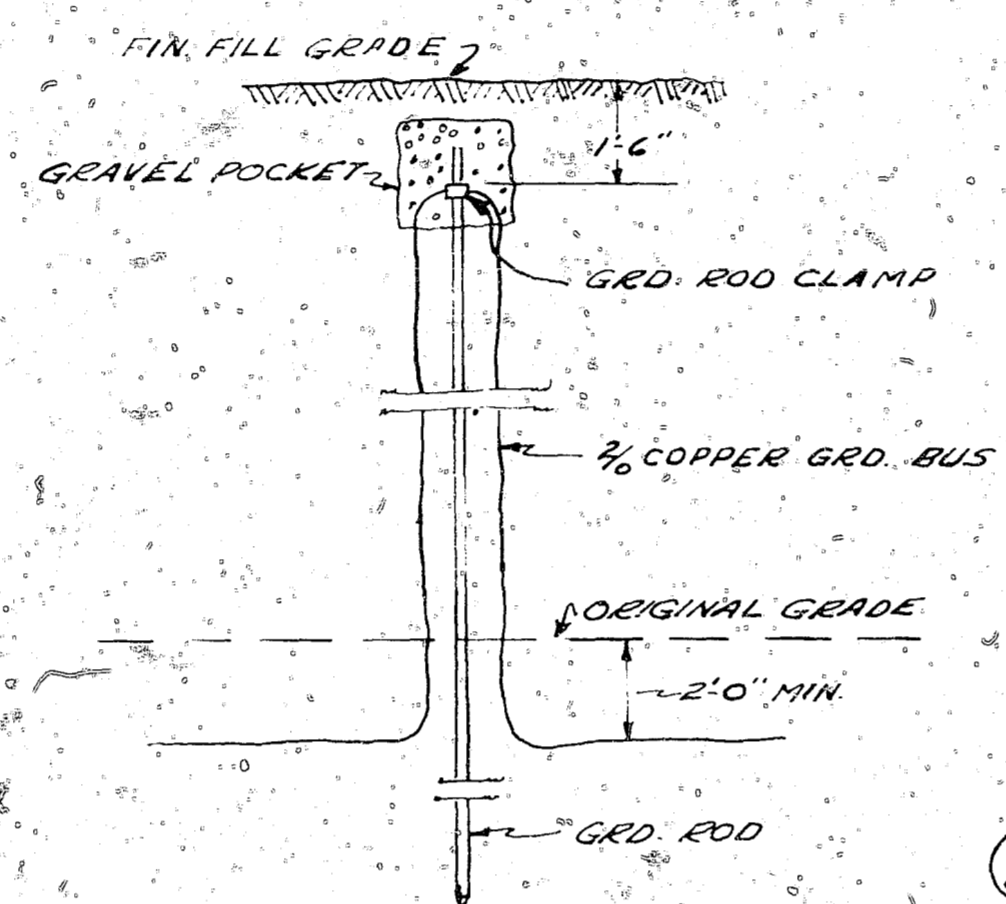
1-32-411





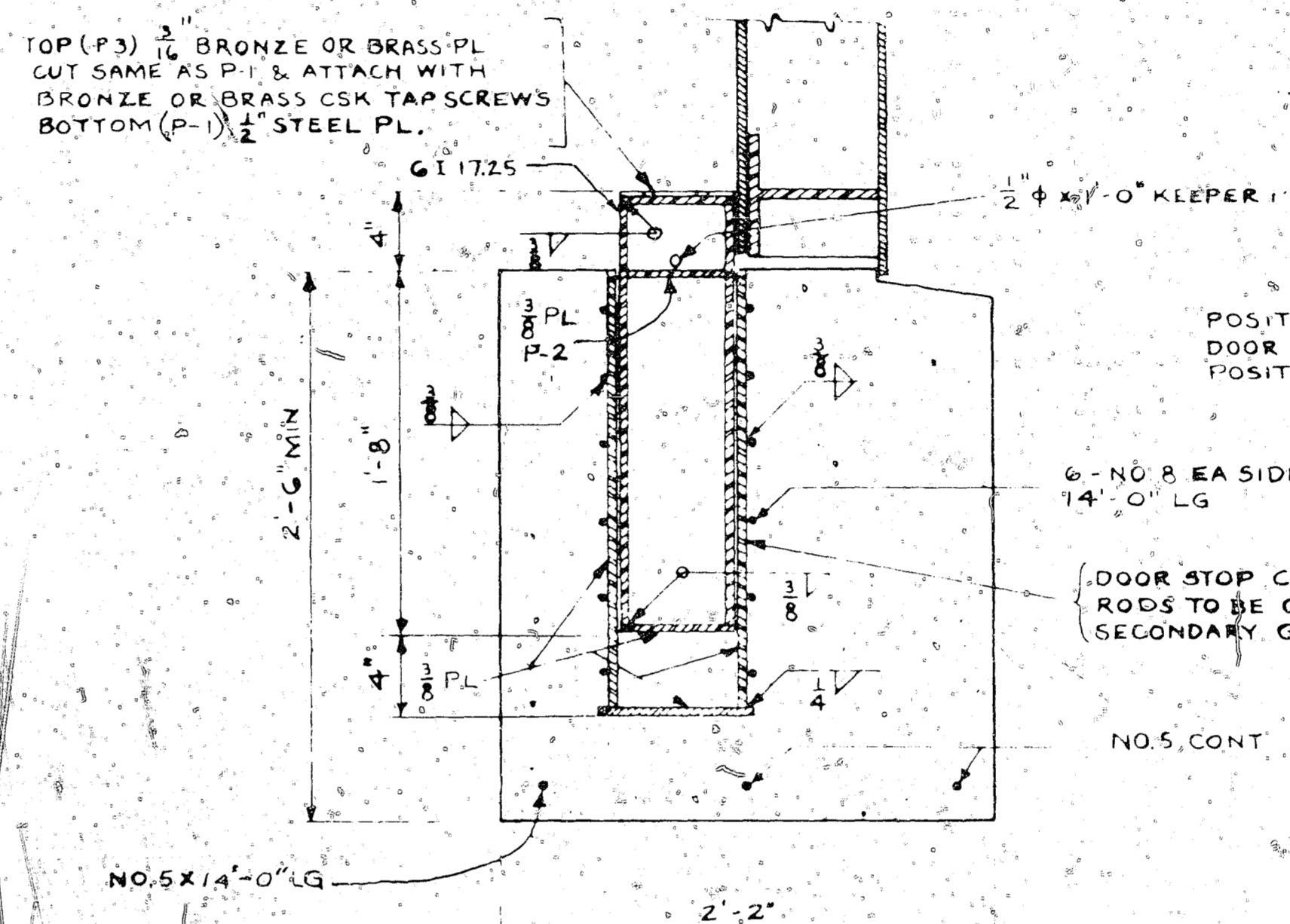
PLAN - GROUNDING  
SCALE: 1" = 4'-0"

ADDITIONAL GROUND BUS (PLAN)  
TO BE USED ONLY IF REQUIRED BY THE BUREAU

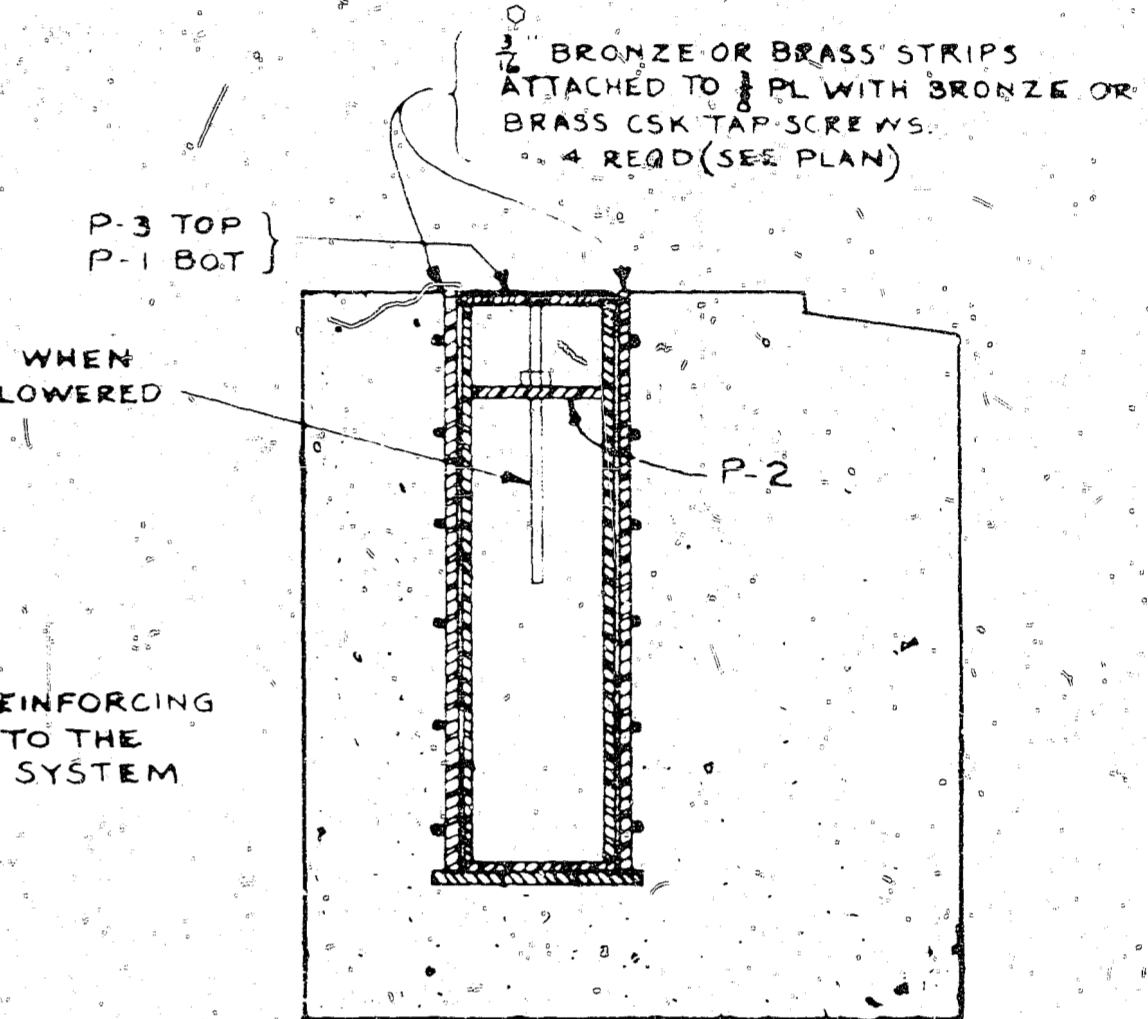


DETAIL - GROUND ROD INSTALLATION IN EARTH FILL  
NO SCALE

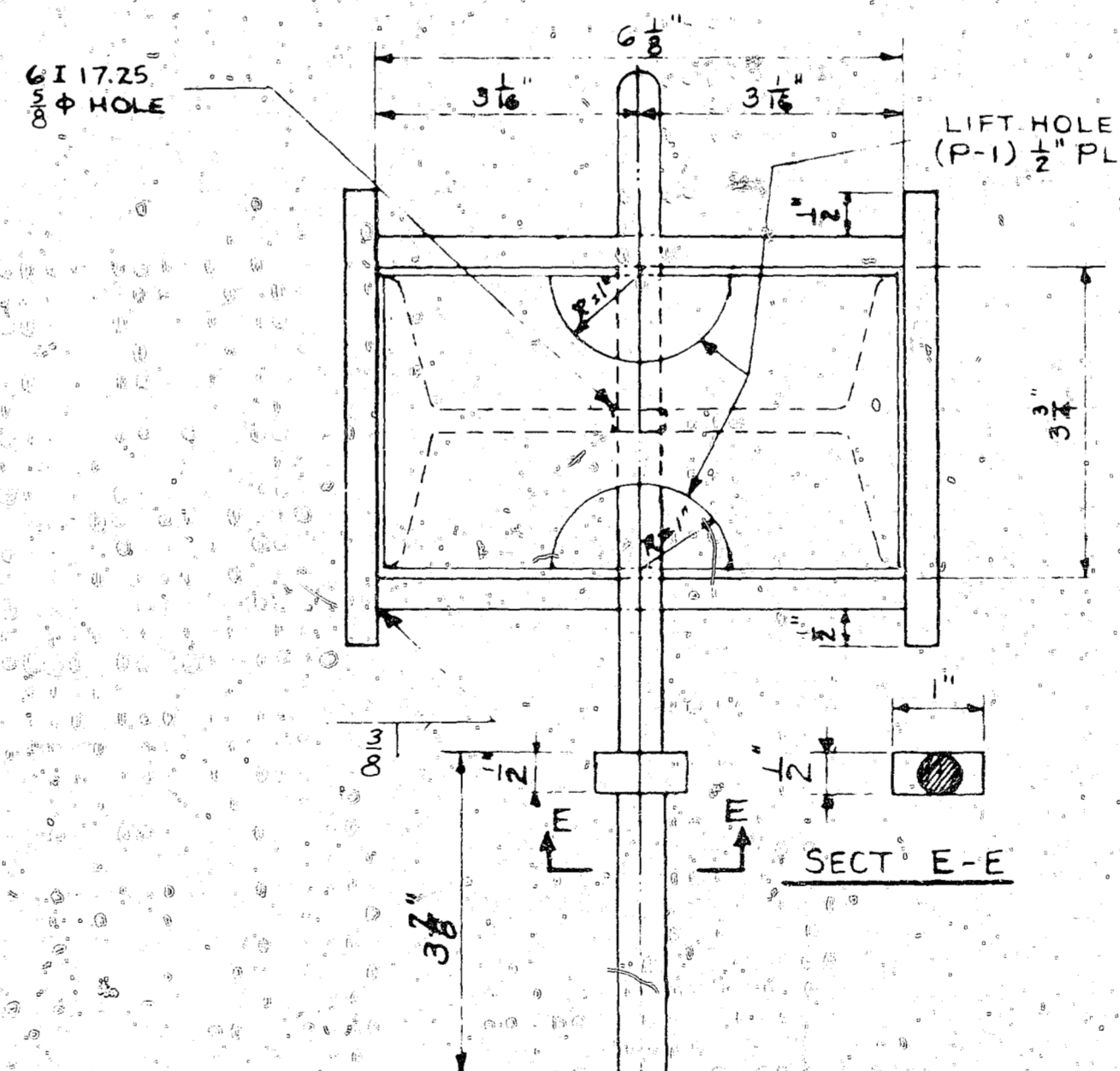
NOTES - GROUNDING  
1. ALL REINFORCING STEEL IN BUILDING, PAVEMENT IN FRONT OF BUILDING AND RETAINING WALLS, AND ALL METAL PARTS AND EQUIPMENT IN BLDG. SHALL BE BONDED TO GROUND BUS. ALL BONDING CONNECTIONS SHALL BE NO. 10 AWG. MIN. BARE COPPER WIRE OR EQUIVALENT CAPACITY COPPER BRAID STRAP.



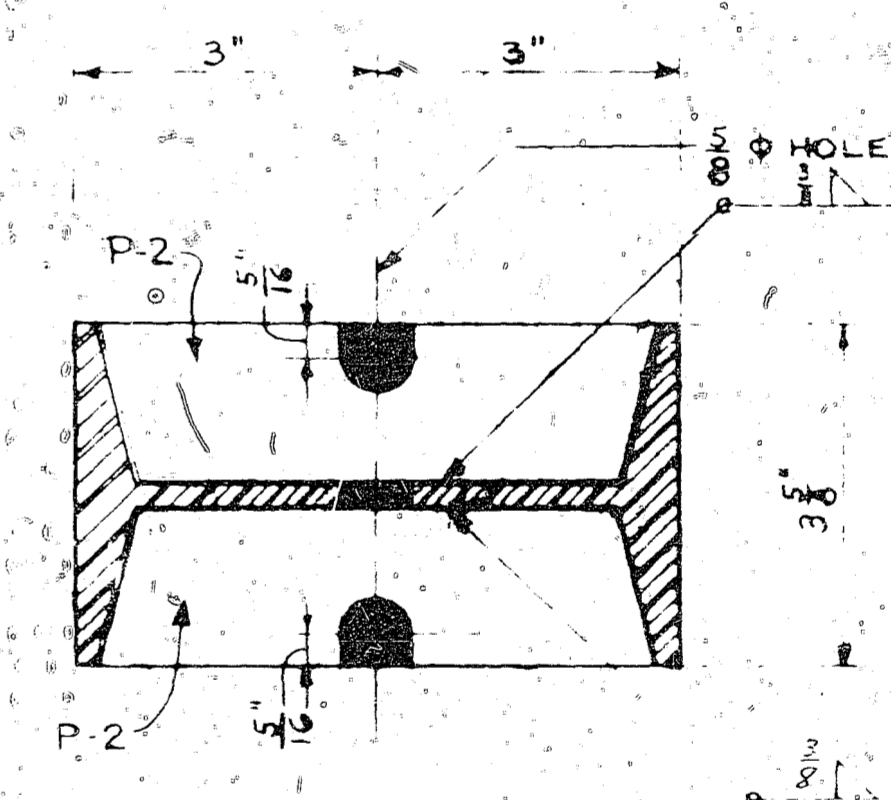
DOOR STOP - RAISED POSITION  
SCALE: 1 1/2" = 1'-0"



DOOR STOP - LOWERED POSITION  
SCALE: 1 1/2" = 1'-0"



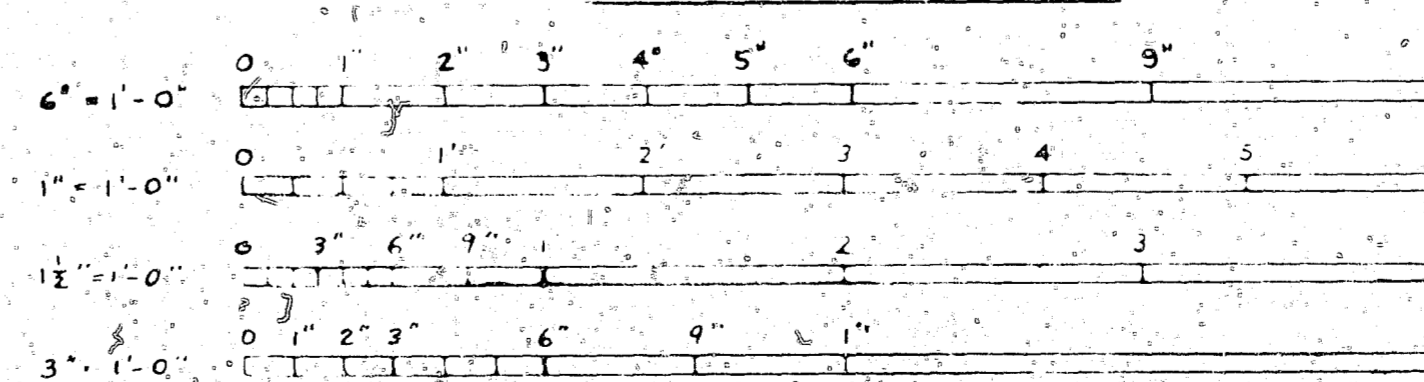
PLAN OF DOOR STOP - RAISED POSITION  
SHOWING PIN ENGAGED  
SCALE: 6" = 1'-0"



DETAIL OF P-2  
SCALE: 6" = 1'-0"

NOTES  
FOR LOCATION OF VENTILATOR SEE Y&D DWG NO. 627954  
FOR ADDITIONAL GROUNDING DETAILS SEE Y&D DWG NO. 627955.

GRAPHIC SCALES



THE COMPUTATIONS FOR THIS DESIGN ARE CONTAINED IN BOOKS 48DB. THIS INFORMATION IS FOR BUROCKS E & F'S USE ONLY.

REVISIONS	
SYMBOL	DESCRIPTION
E	GROUNDING REVISED
D	ADDED SPEC'S
C	REMOVED VENTILATOR - CHGD SHEET NOS 6 TO 7
B	CHGD TOTAL NO THEFT FROM 3 TO 6
A	CHGD TOTAL NO THEFT FROM 4 TO 5
DATE	APPROVAL

DEPARTMENT OF THE NAVY WASHINGTON, D.C.  
**BUREAU OF YARDS & DOCKS**

DES. KEITH  
CRWN. DTR  
CHK. ZIMMERMAN  
LDR. BENNETT  
SUPV. BENNETT  
HEAD SECT.  
MGR.  
ENGR. CONS.  
PROJ. MGMT.

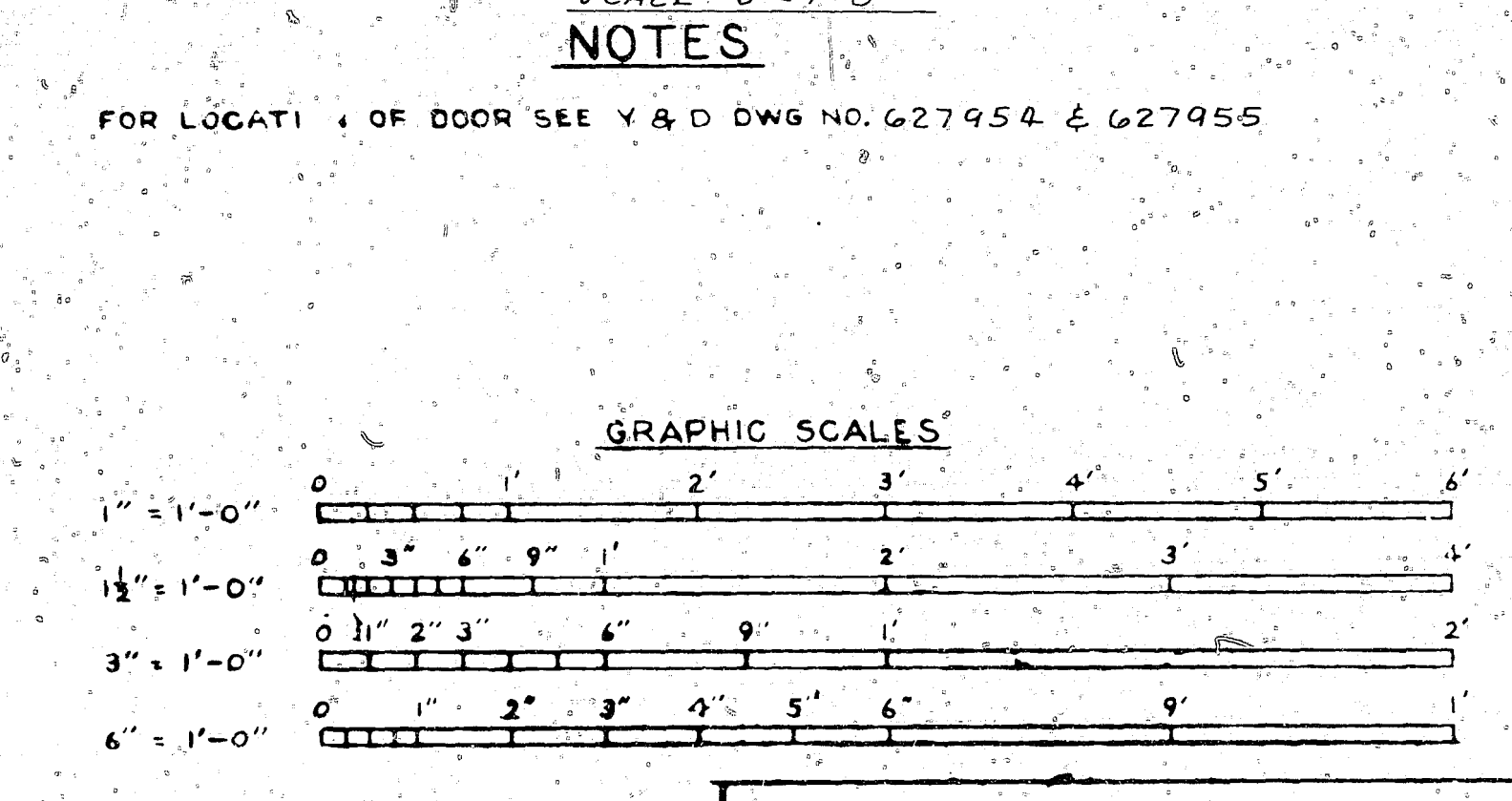
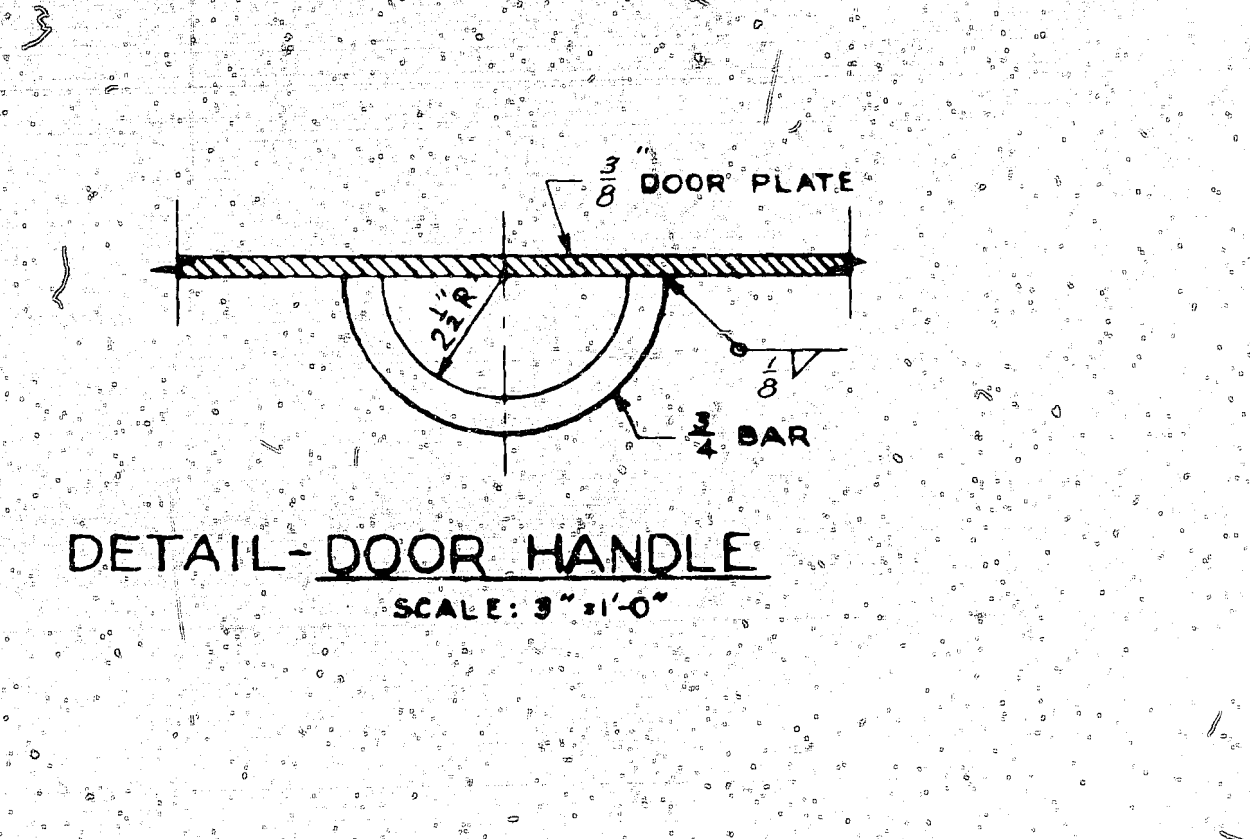
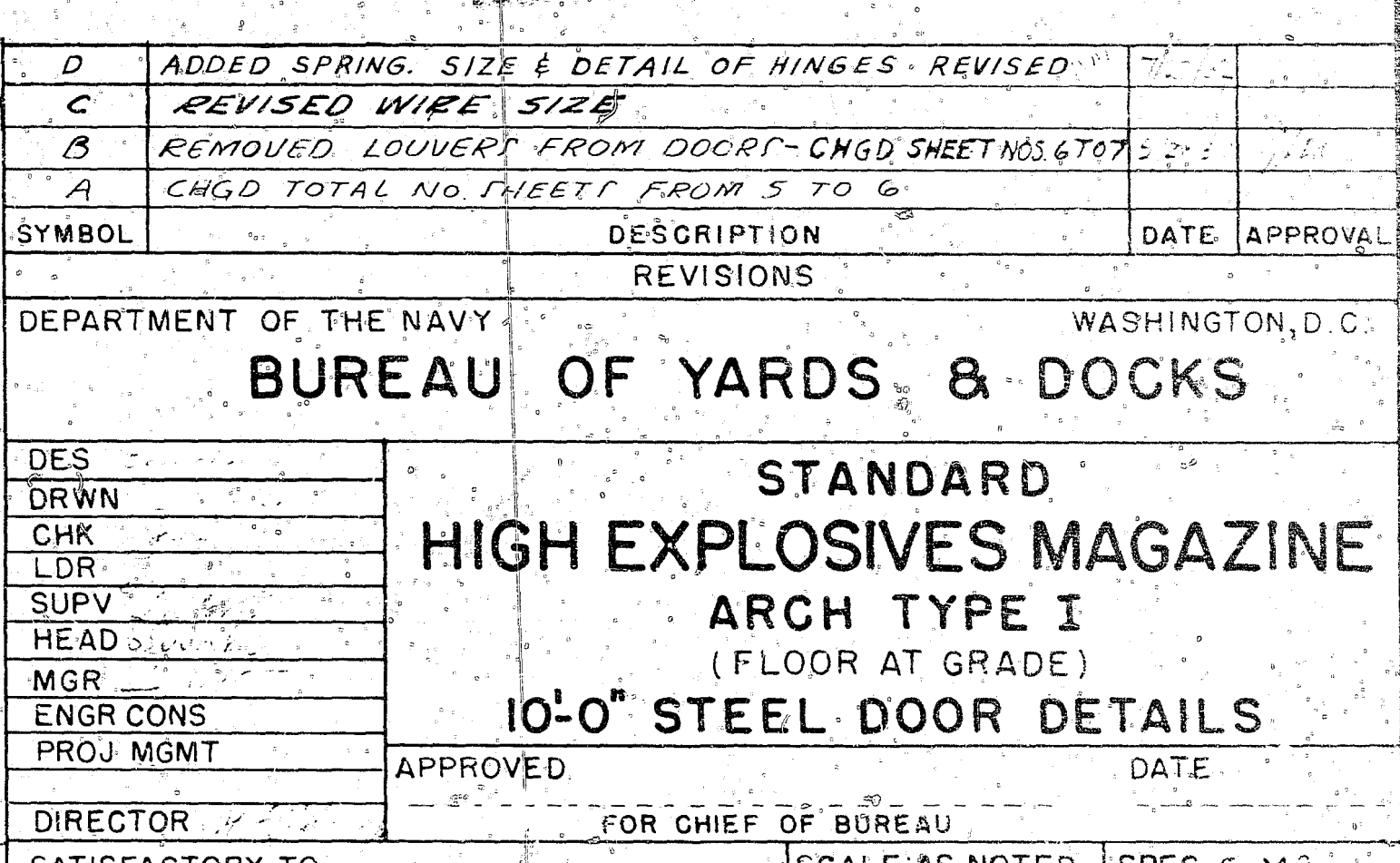
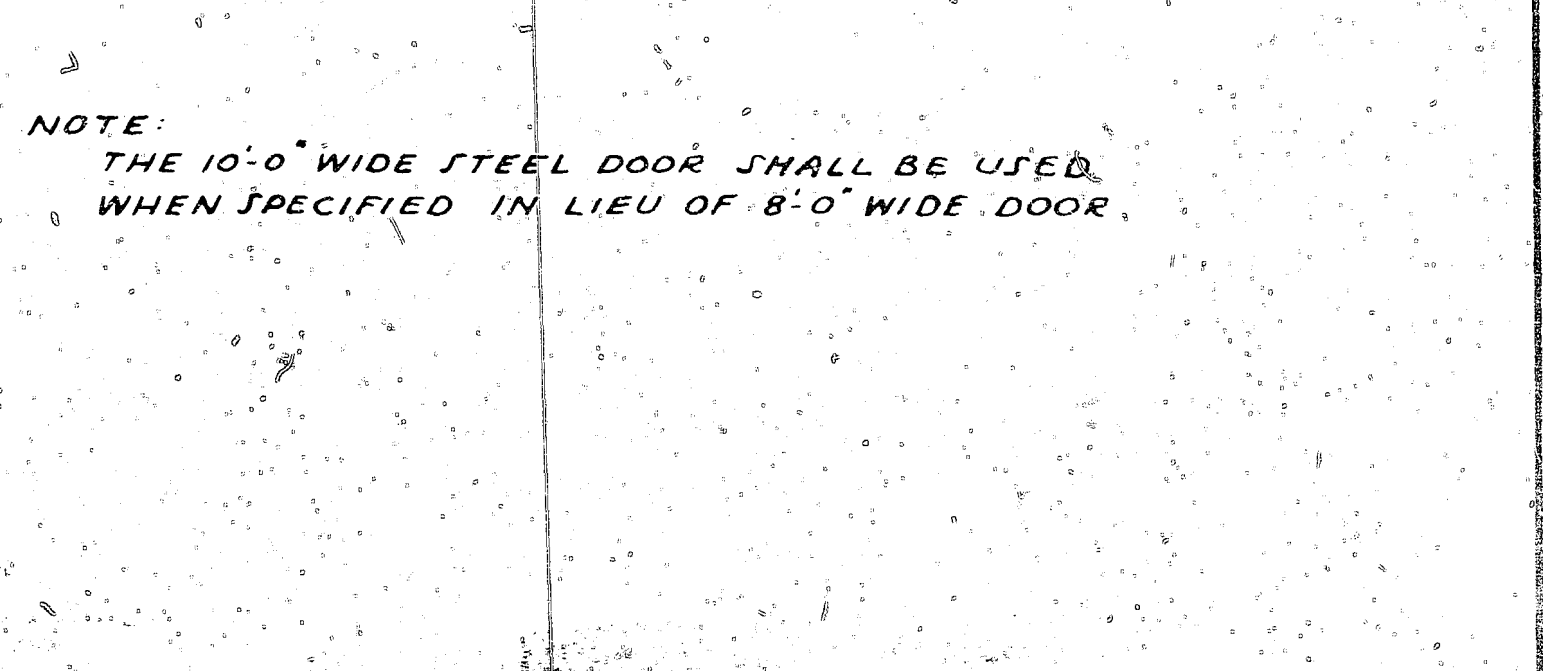
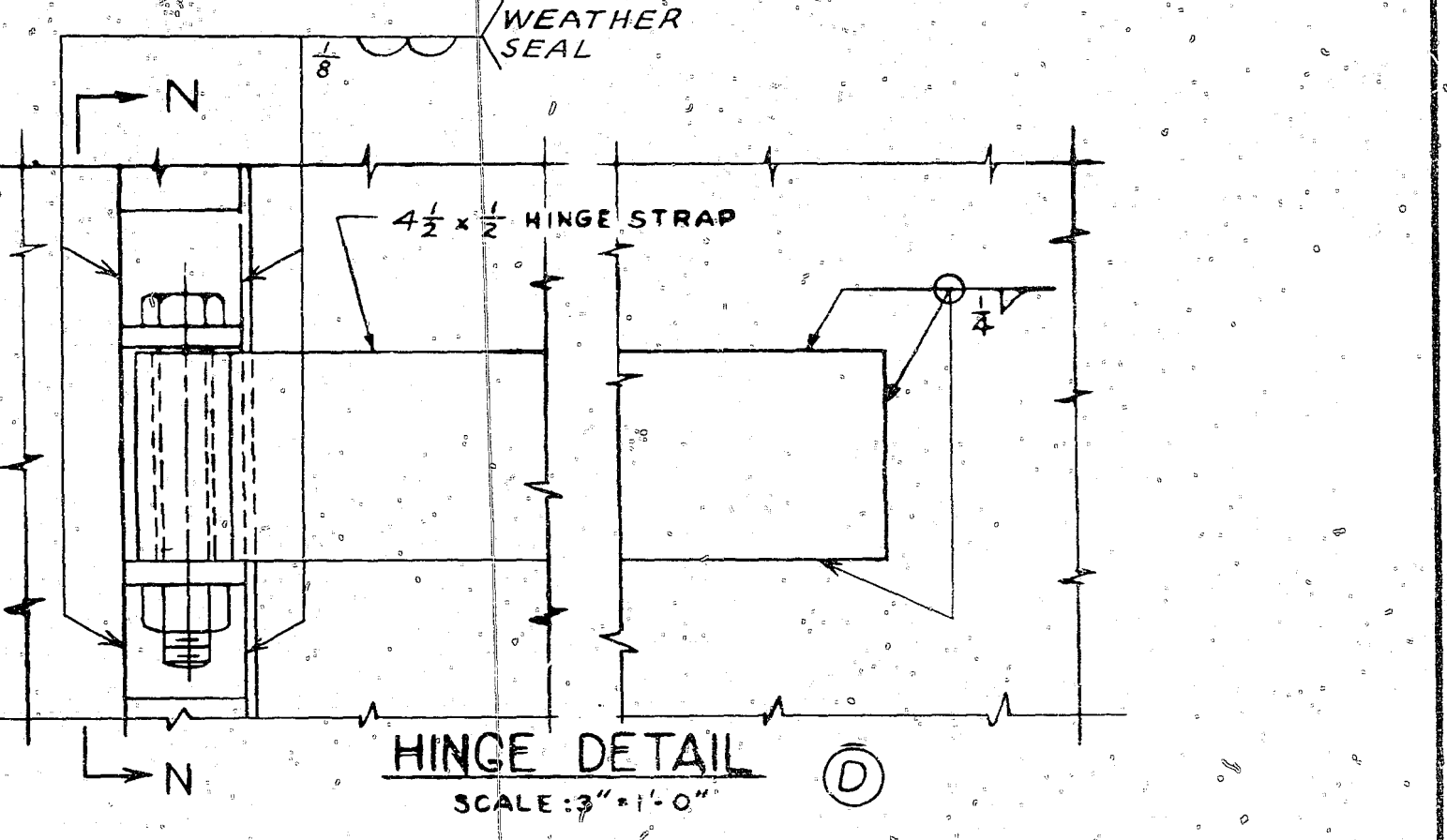
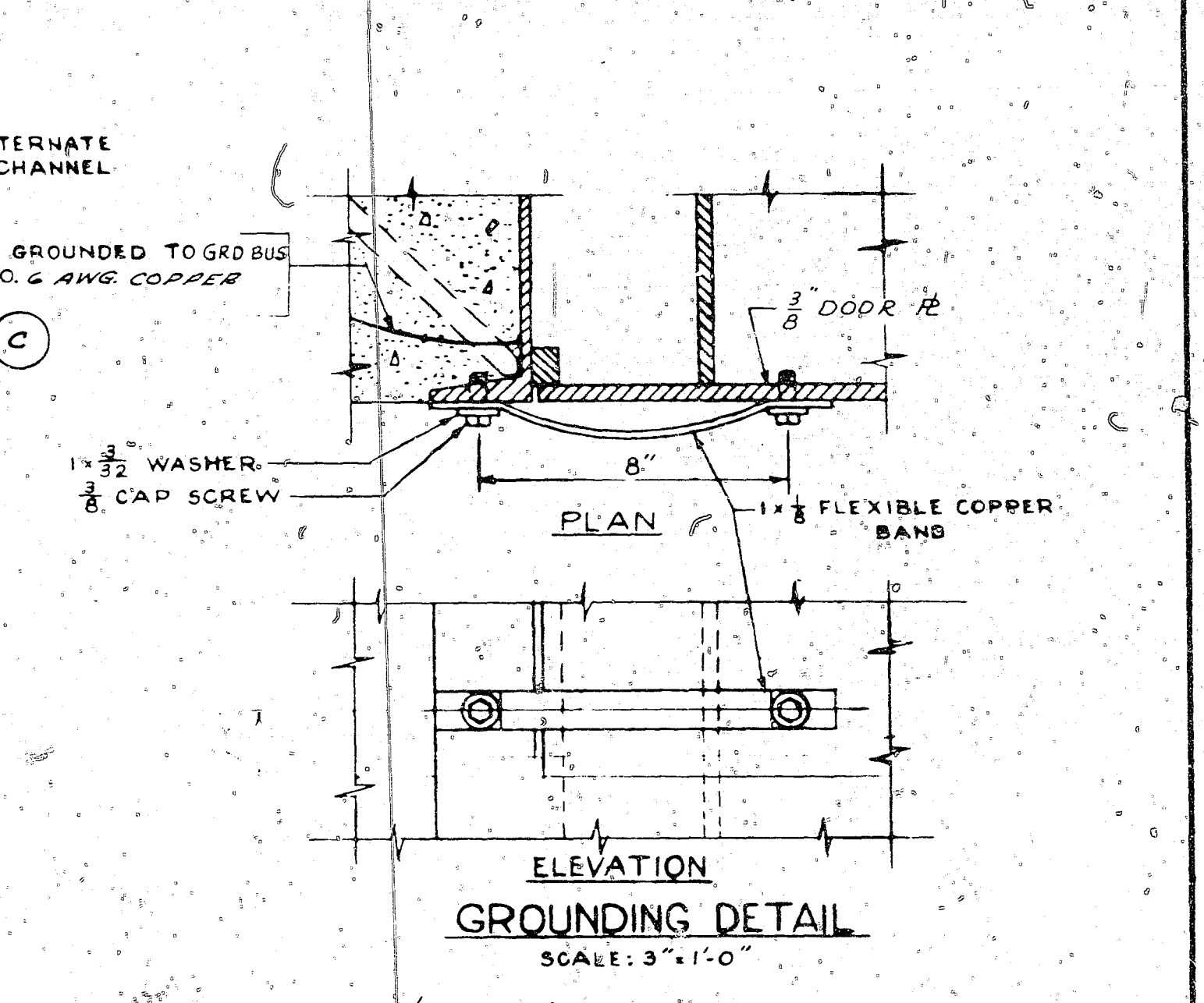
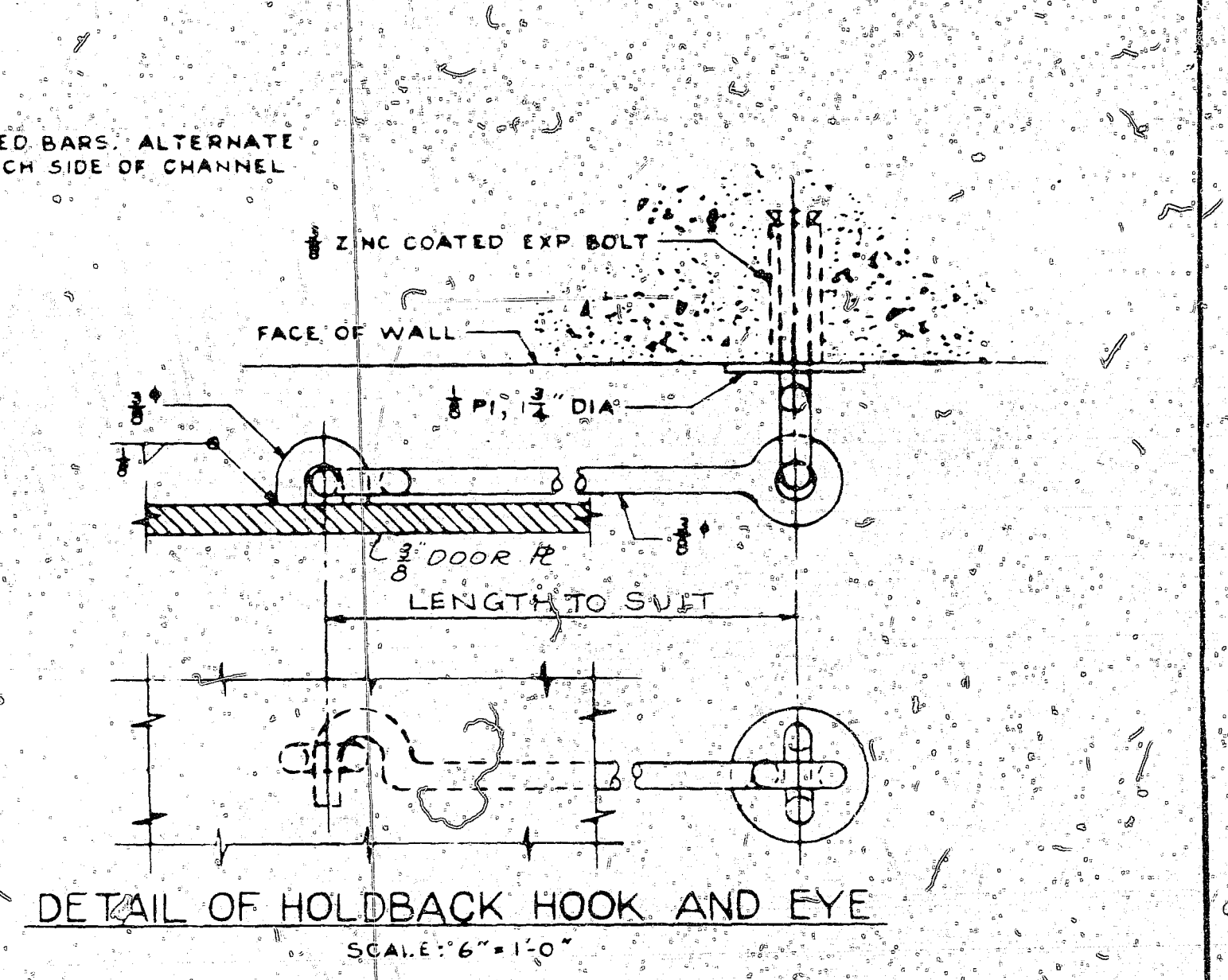
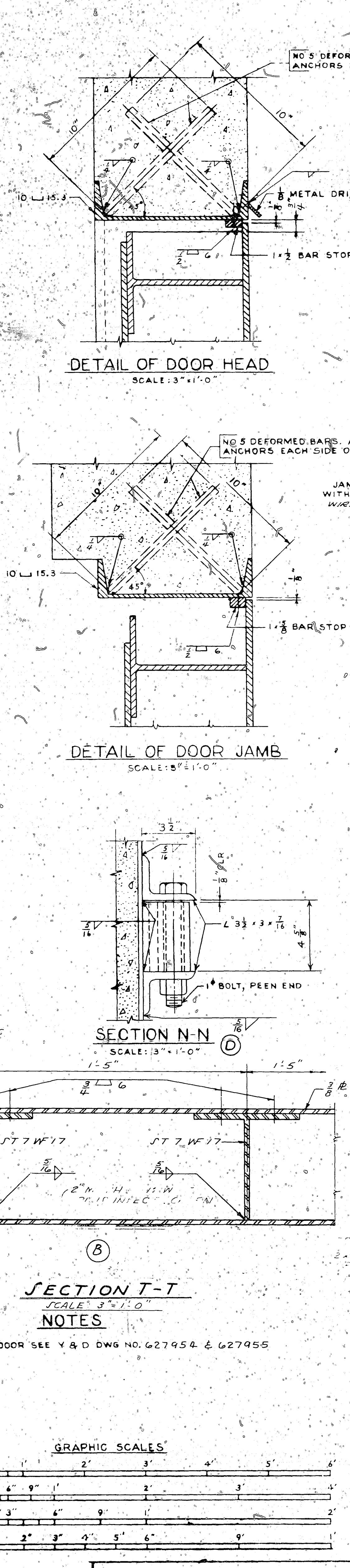
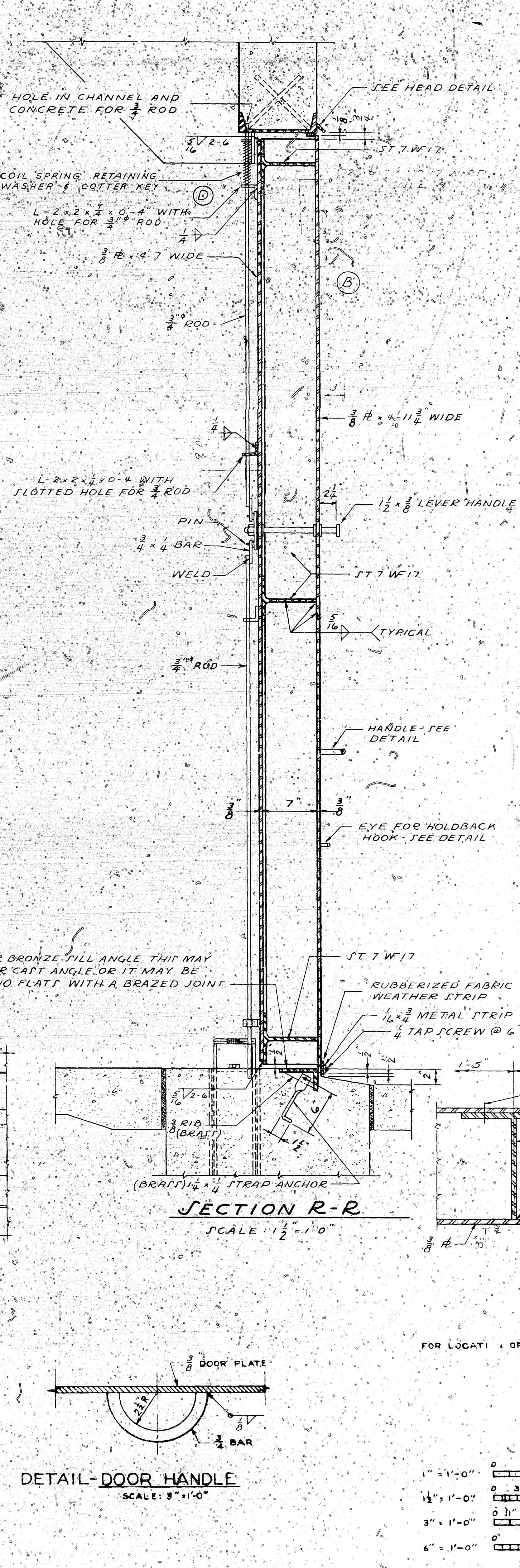
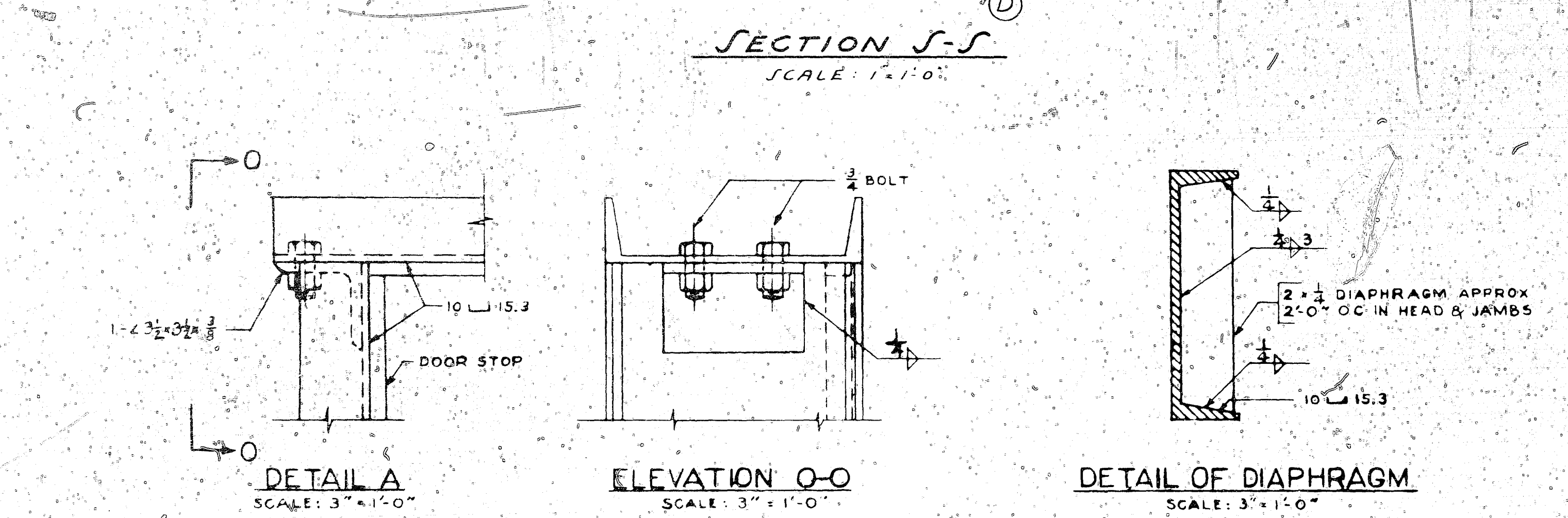
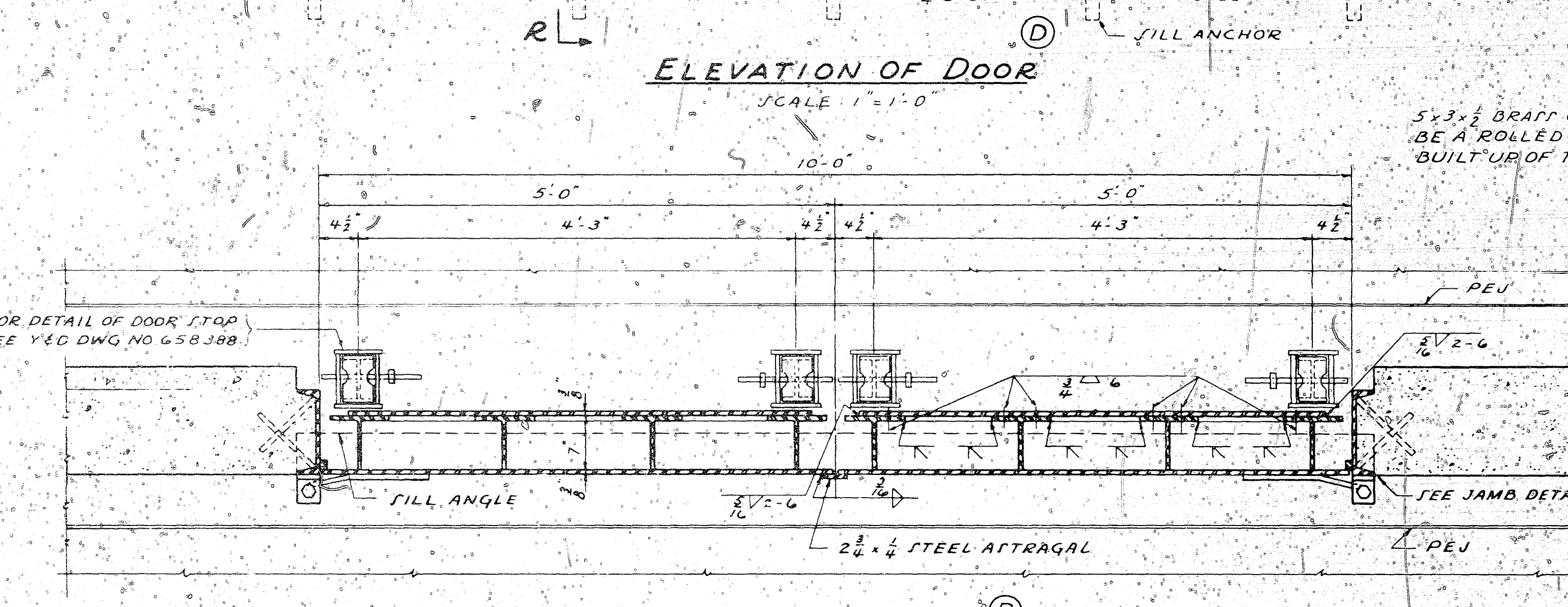
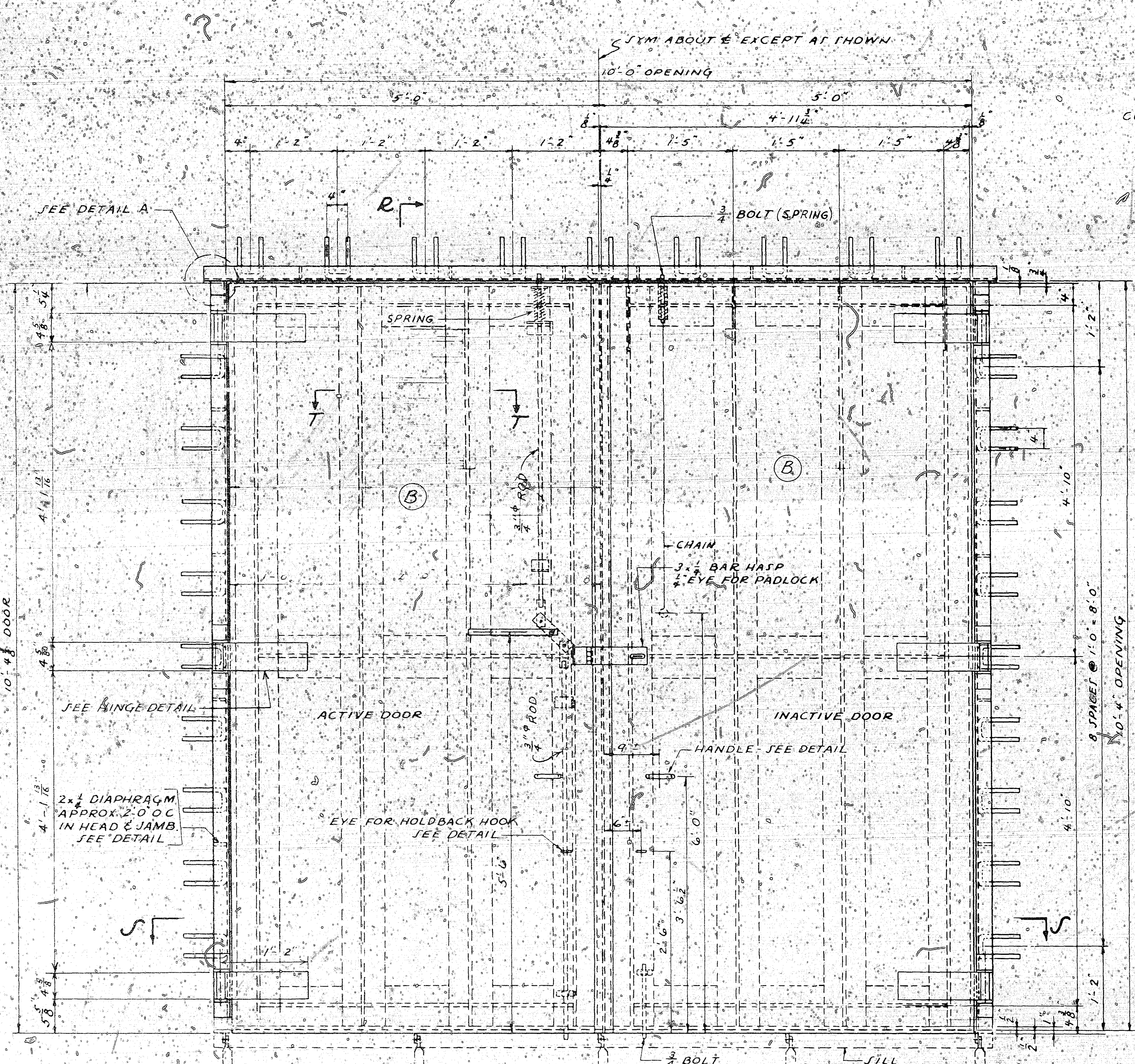
**STANDARD HIGH EXPLOSIVES MAGAZINE ARCH TYPE I (FLOOR AT GRADE)**  
**DOOR STOP & GROUNDING DETAILS**

APPROVED: [Signature] DATE: 3/28/54  
FOR CHIEF OF BUREAU

SATISFACTORY TO: [Signature] SCALE AS NOTED SPEC S-748  
SHEET 4 OF 7 NO. Y&D DWG NO. 627957

1-33-41





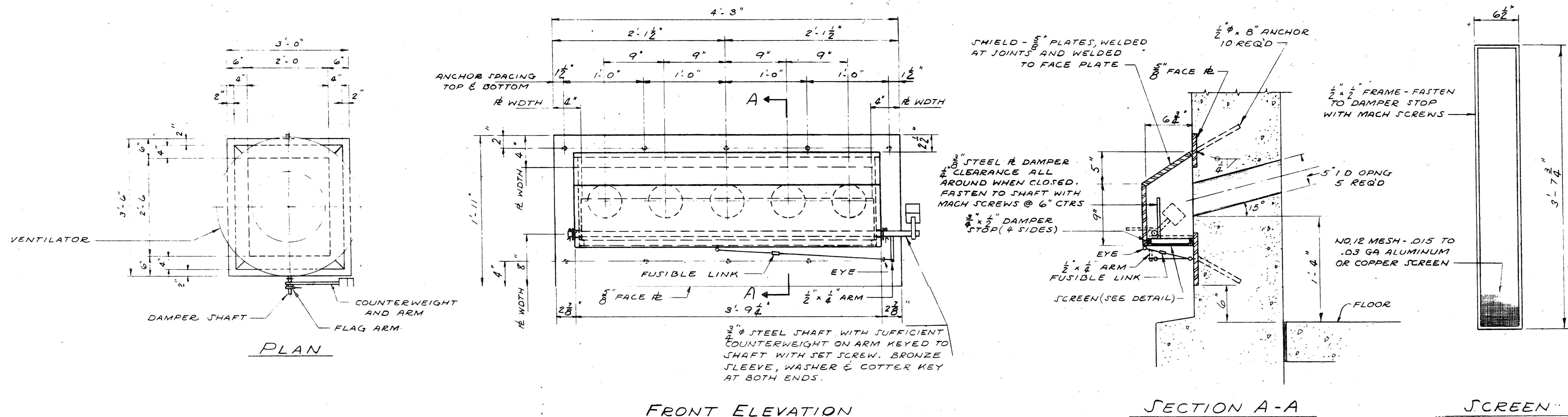
**NOTES**  
 1. FOR LOCATION OF DOOR SEE Y & D DWG NO. G27954 & G27955

**NOTE:** THE 10'-0" WIDE STEEL DOOR SHALL BE USED WHEN SPECIFIED IN LIEU OF 8'-0" WIDE DOOR.

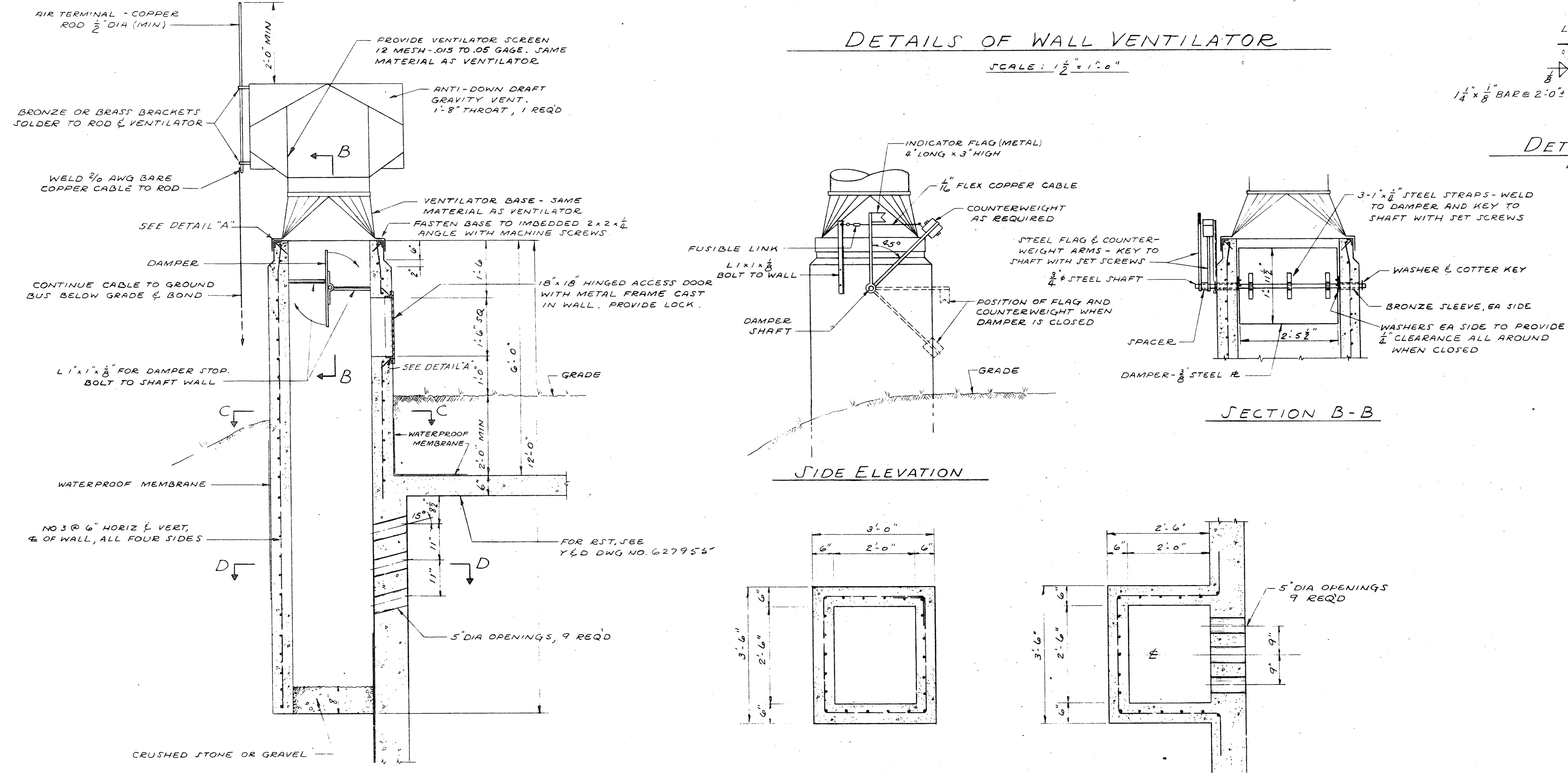
D	ADDED SPRING, SIZE & DETAIL OF HINGES - REVISED		
C	REVISED WIRE SIZE		
B	REMOVED LOUVERS FROM DOOR - CHGD SHEET NOS & TOT		
A	CHGD TOTAL NO. SHEET FROM 5 TO 6		
SYMBOL	DESCRIPTION	DATE	APPROVAL
REVISIONS			
DEPARTMENT OF THE NAVY		WASHINGTON, D. C.	
<b>BUREAU OF YARDS &amp; DOCKS</b>			
DES _____		<b>STANDARD          HIGH EXPLOSIVES MAGAZINE          ARCH TYPE I          (FLOOR AT GRADE)          10'-0" STEEL DOOR DETAILS</b>	
DRWN _____			
CHK _____			
LDR _____			
SUPV _____			
HEAD _____			
MGR _____			
ENGR CONS _____		APPROVED _____	DATE _____
PROJ MGMT _____		FOR CHIEF OF BUREAU	
DIRECTOR _____		SATISFACTORY TO _____	
DATE _____		SCALE: AS NOTED	SPEC S-M-C
		SHEET 5 OF 7	NOV
		Y & D DWG NO.	<b>751861</b>



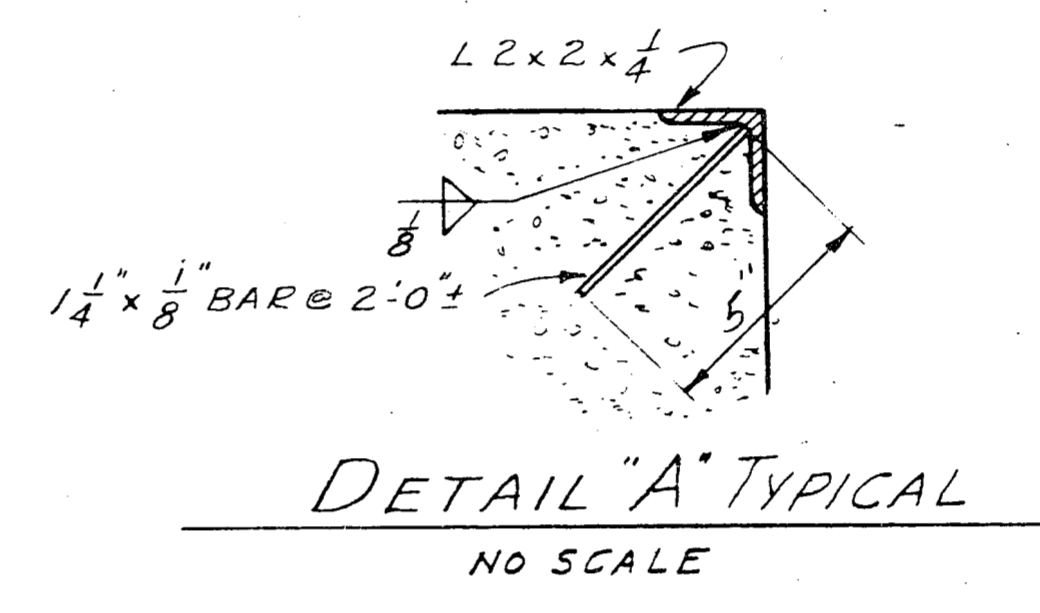
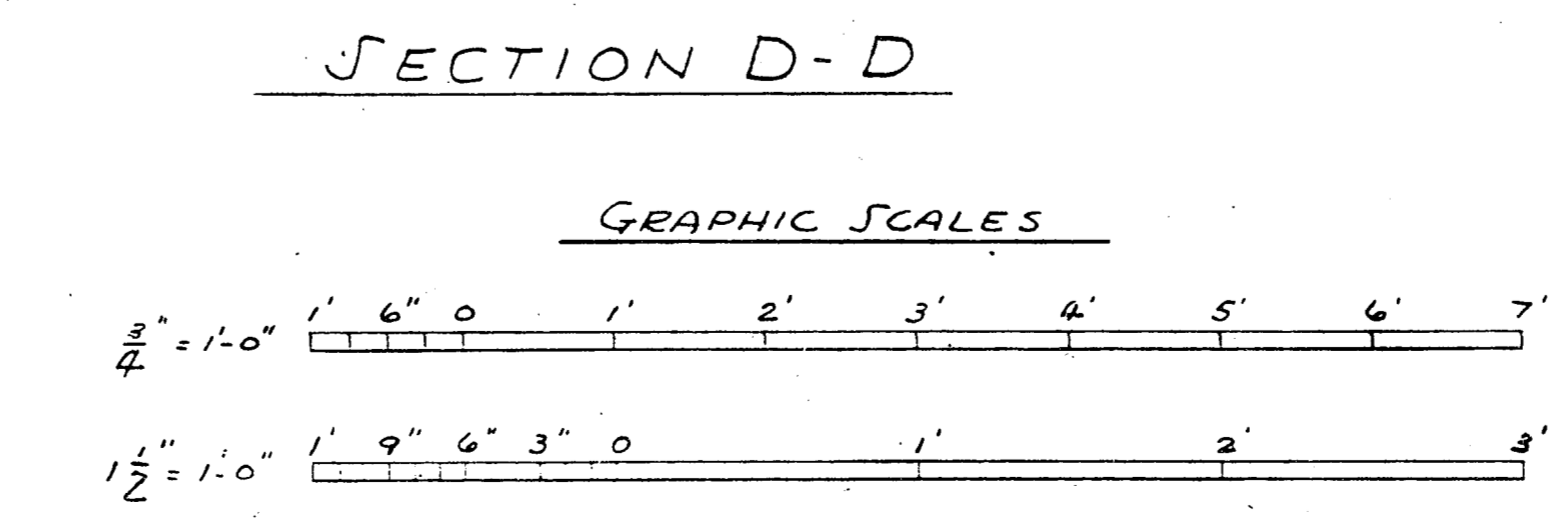
REVISIONS			
SYM	DESCRIPTION	DATE	APPROVED
A	GENERAL REVISION, NEW TYPE VENTILATOR	7/29/63	HR



**DETAILS OF WALL VENTILATOR**  
SCALE: 1/2" = 1'-0"



**DETAILS OF VENTILATOR SHAFT**  
SCALE: 3/4" = 1'-0"



- NOTES**
1. ALL DAMPER AND SHAFT ASSEMBLIES SHALL OPERATE FREELY AND POSITIVELY.
  2. FUSIBLE LINKS SHALL HAVE MELTING POINT OF 160° TO 165° F. BREAKING STRENGTH SHALL BE SUITABLE FOR LOADS IMPOSED BY COUNTERWEIGHTS.
  3. ALL SET SCREWS AND MACHINE SCREWS SHALL BE BRASS.

THIS DRAWING, REV. A - SUPERSEDES Y & D DRAWING OF SAME NUMBER.

STRUCT	MECH	DEPARTMENT OF THE NAVY WASHINGTON, D. C.	
DES		BUREAU OF YARDS & DOCKS	
DR		STANDARD	
CHK		HIGH EXPLOSIVES MAGAZINE	
SUPV		ARCH TYPE I	
HEAD		(FLOOR AT GRADE)	
MGR		VENTILATORS	
ENGR		CONSTR	
PROJ MGT			
APPROVED	DATE	CODE IDENT NO.	SIZE
FOR CHIEF OF BUREAU	7/18/63	80091	F
SATISFACTORY TO BUWEP			793747
DATE		SCALE AS NOTED	SPEC S-MB NBY SHEET 7 OF 7

THE COMPUTATIONS FOR THIS DESIGN ARE CONTAINED IN BOOKS 4368

7/9/63  
HIGH EXPLOSIVES ARCH. TYPE I/M PLAT./VENTILATOR